



US00D336511S

United States Patent [19]

[11] Patent Number: **Des. 336,511**

Chiu et al.

[45] Date of Patent: **** Jun. 15, 1993**

[54] PORTABLE HUMIDIFIER

[75] Inventors: **Bernard Chiu, Ashland, Mass.;**
Richard M. O'Grady, Southington,
Conn.

[73] Assignee: **Duracraft Corporation, Whitinsville,**
Mass.

[**] Term: **14 Years**

[21] Appl. No.: **859,968**

[22] Filed: **Mar. 30, 1992**

[52] U.S. Cl. **D23/356**

[58] Field of Search **D23/356-363;**
239/136; 392/333-337, 403-406; 261/DIG. 48

[56] References Cited

U.S. PATENT DOCUMENTS

D. 320,440 10/1991 Chiu **D23/356**

OTHER PUBLICATIONS

Popular Mechanics, Jan. 1992, p. 56, Warm-Mist Humidifier, top, right side of page.

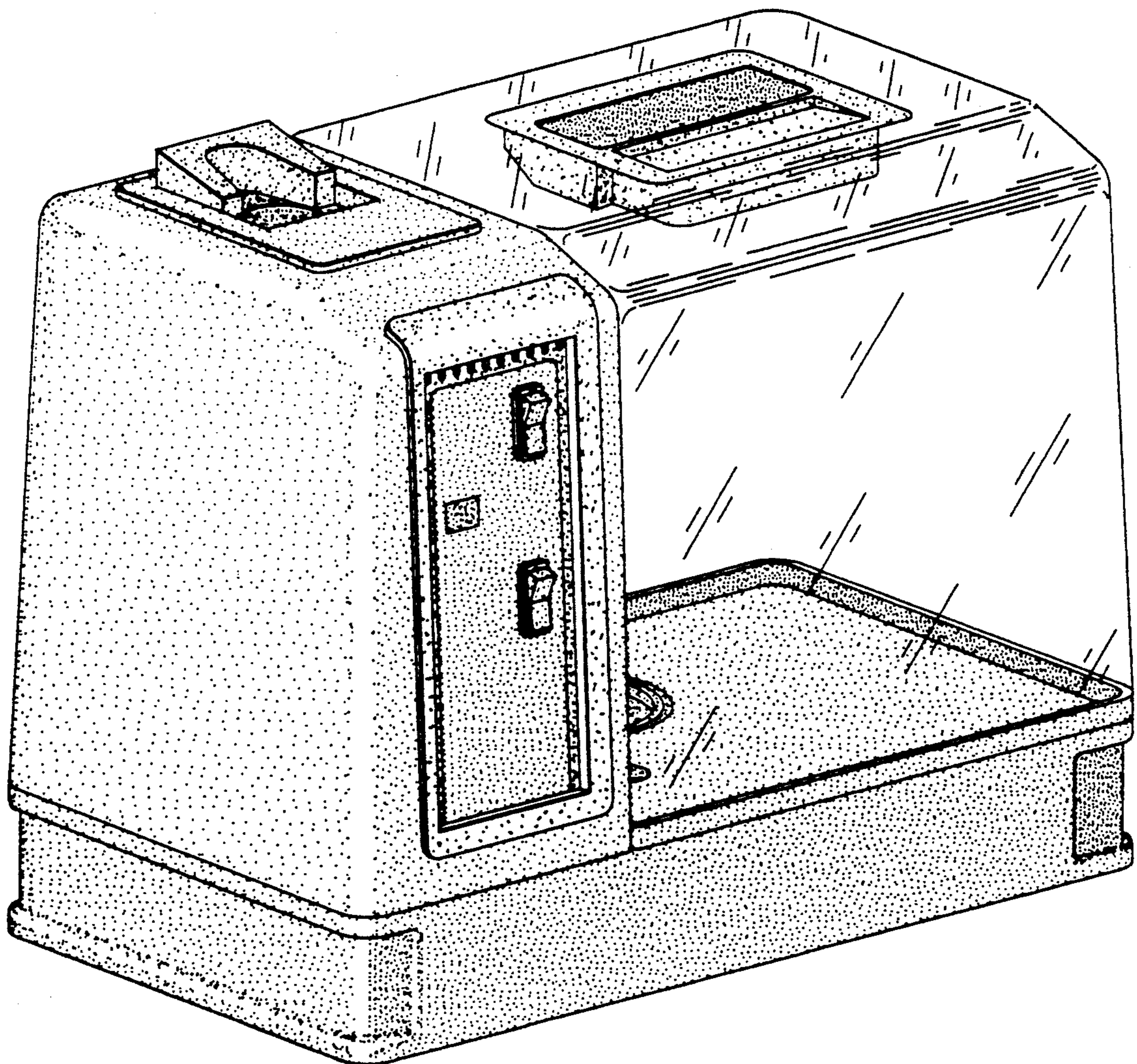
Primary Examiner—Wallace R. Burke
Assistant Examiner—Lisa Lichtenstein
Attorney, Agent, or Firm—John E. Toupal; Harold G. Jarcho

[57] CLAIM

The ornamental design for a portable humidifier, as shown.

DESCRIPTION

FIG. 1 is a front perspective view of a portable humidifier showing our new design; FIG. 2 is a front elevational view thereof; FIG. 3 is a rear elevational view thereof; FIG. 4 is a top plan view thereof; FIG. 5 is a left side elevational view thereof; and, FIG. 6 is a right side elevational view thereof.



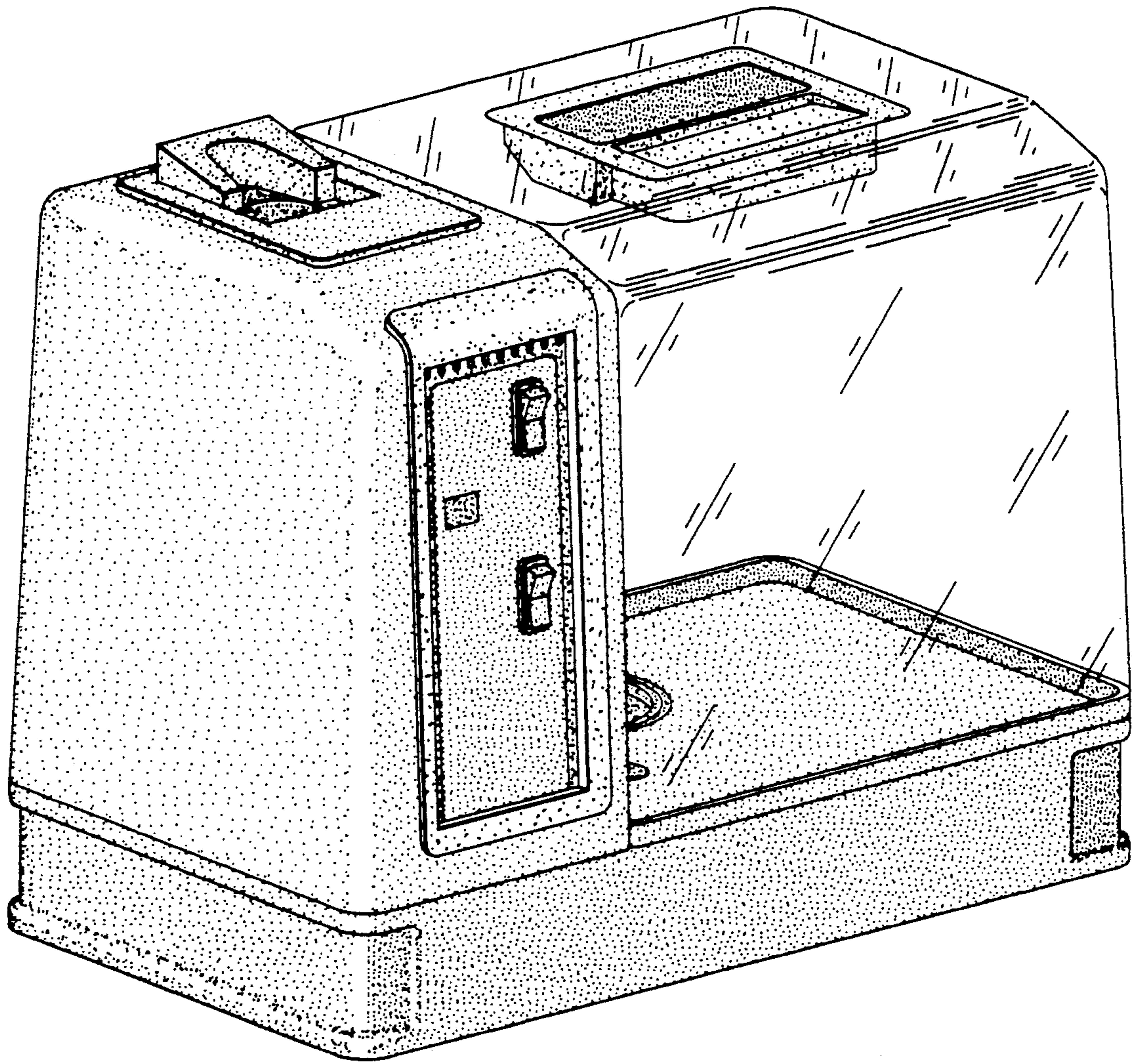


FIG. 1

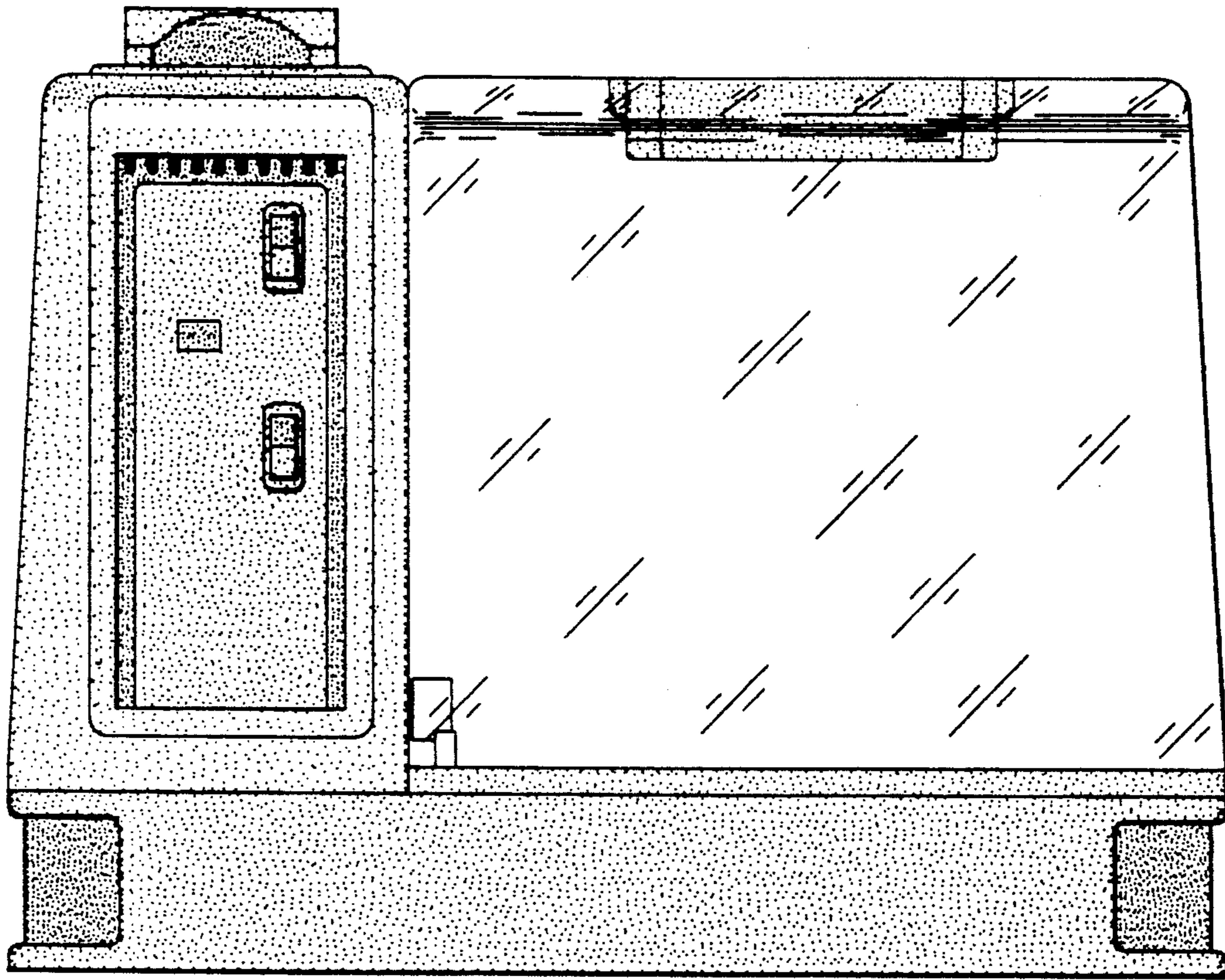


FIG. 2

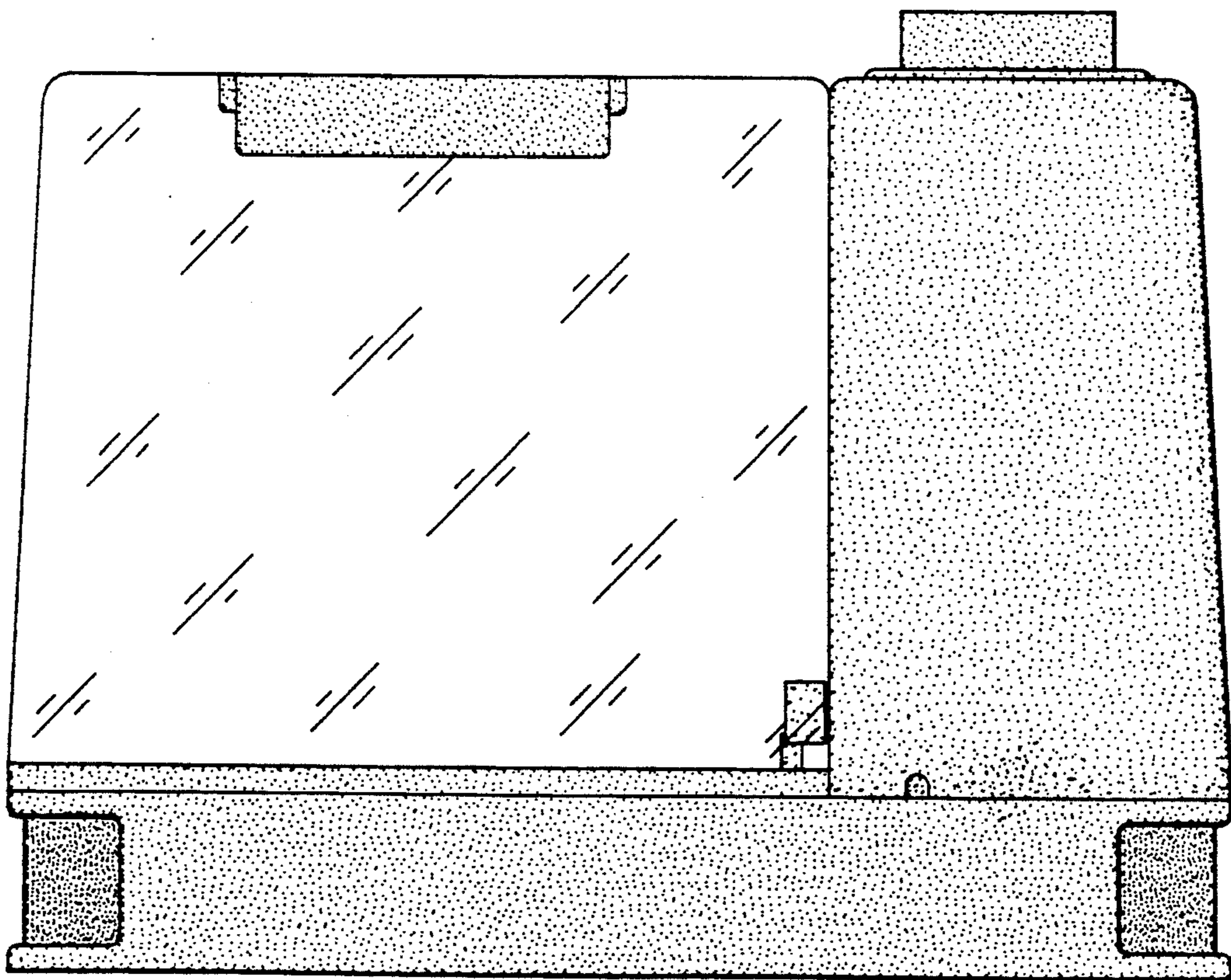


FIG. 3

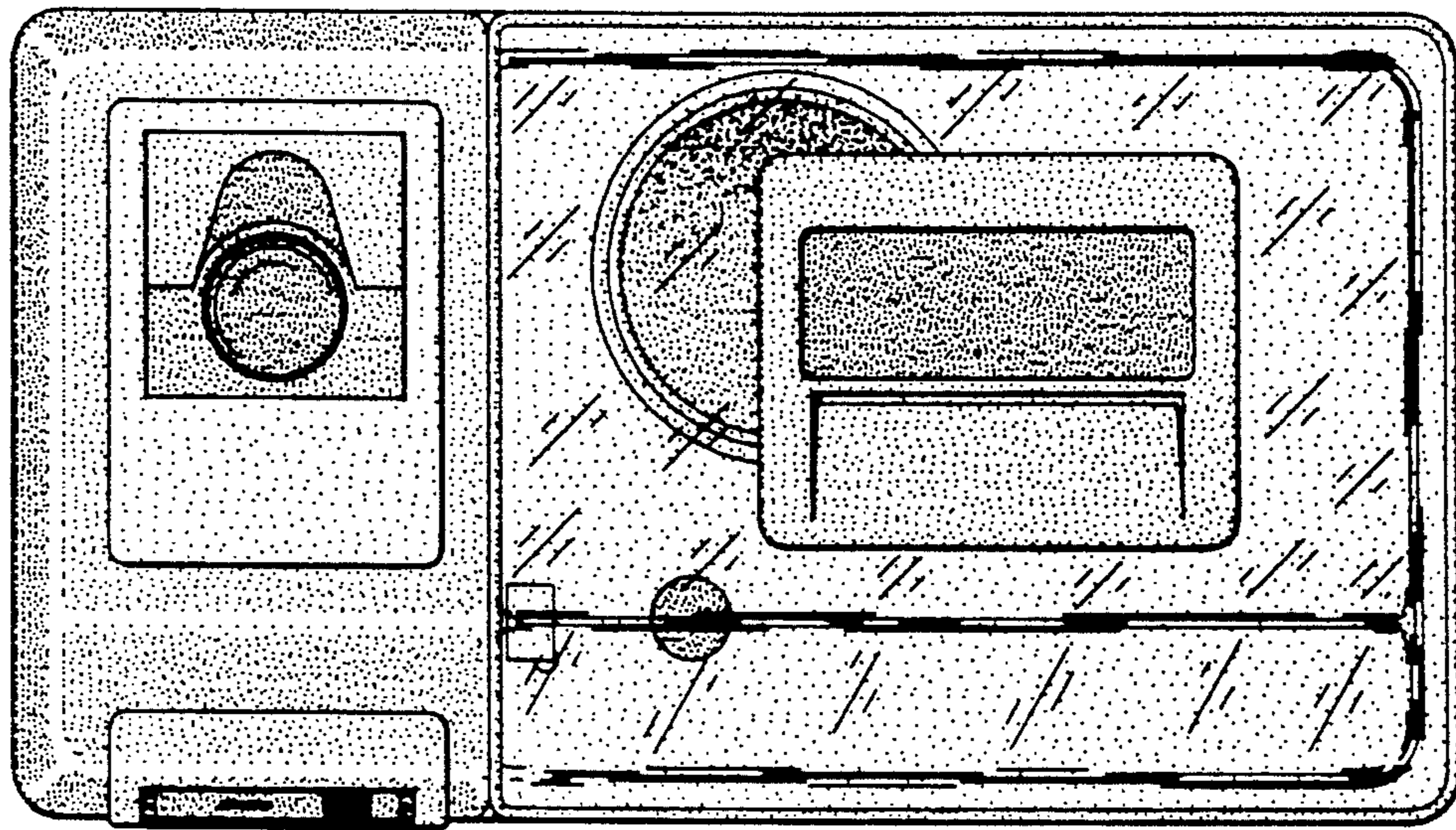


FIG. 4

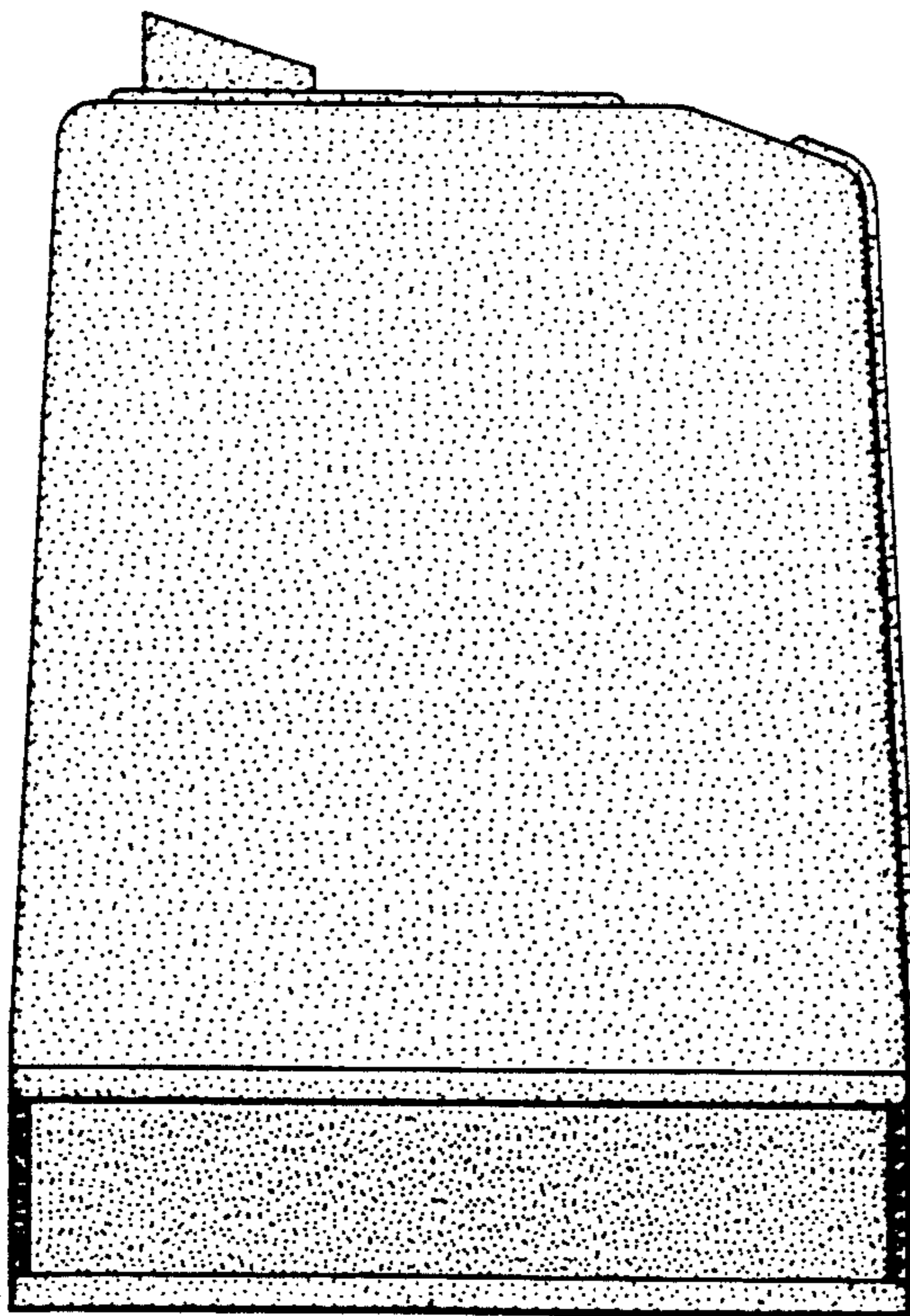


FIG. 5

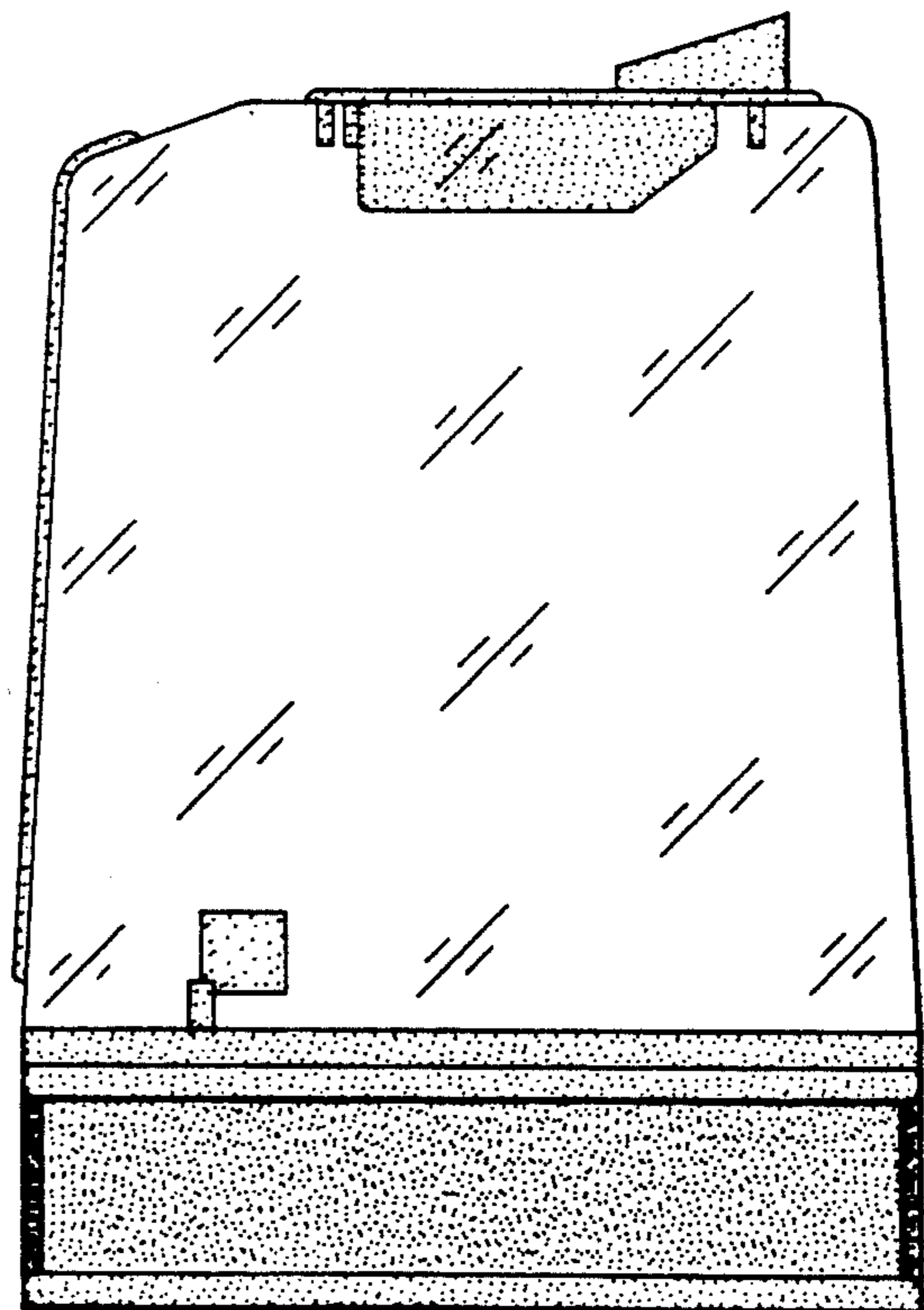


FIG. 6