



US00D336510S

United States Patent [19]

[11] Patent Number: **Des. 336,510**

Sawtelle

[45] Date of Patent: **** Jun. 15, 1993**

[54] **COMBINED HOSE CONNECTOR AND LATCH**

[75] Inventor: **Donald K. Sawtelle, Jaffrey Center, N.H.**

[73] Assignee: **Jaffrey Fire Protection Co., Inc., Jaffrey, N.H.**

[**] Term: **14 Years**

[21] Appl. No.: **756,145**

[22] Filed: **Sep. 6, 1991**

D. 247,182	2/1978	Ebert	D23/262
D. 263,992	4/1982	Ebert	D23/262
D. 327,120	6/1992	Ambrosi	D23/262
1,259,684	3/1918	Vinten	285/360
1,525,794	2/1925	Blake	285/360 X
2,165,163	7/1939	Waters	285/361 X
2,449,121	9/1948	Jones	285/361 X
3,162,470	12/1964	Davidson et al.	285/376 X
3,227,380	1/1966	Pinkston	285/376 X

Primary Examiner—James R. Largen
Attorney, Agent, or Firm—Davis, Bujold & Streck

[57] CLAIM

The ornamental design for combined hose connector and latch, as shown.

DESCRIPTION

FIG. 1 is a top perspective view of a combined hose connector and latch embodying my new design; FIG. 2 is a bottom perspective view thereof; FIG. 3 is a top plan view thereof; FIG. 4 is a front elevational view thereof; FIG. 5 is a bottom plan view thereof; FIG. 6 is a left side elevational view thereof; FIG. 7 is a right side elevational view thereof; and, FIG. 8 is a rear elevational view thereof.

Related U.S. Application Data

[63] Continuation-in-part of Ser. No. 543,346, Jun. 25, 1990, abandoned.

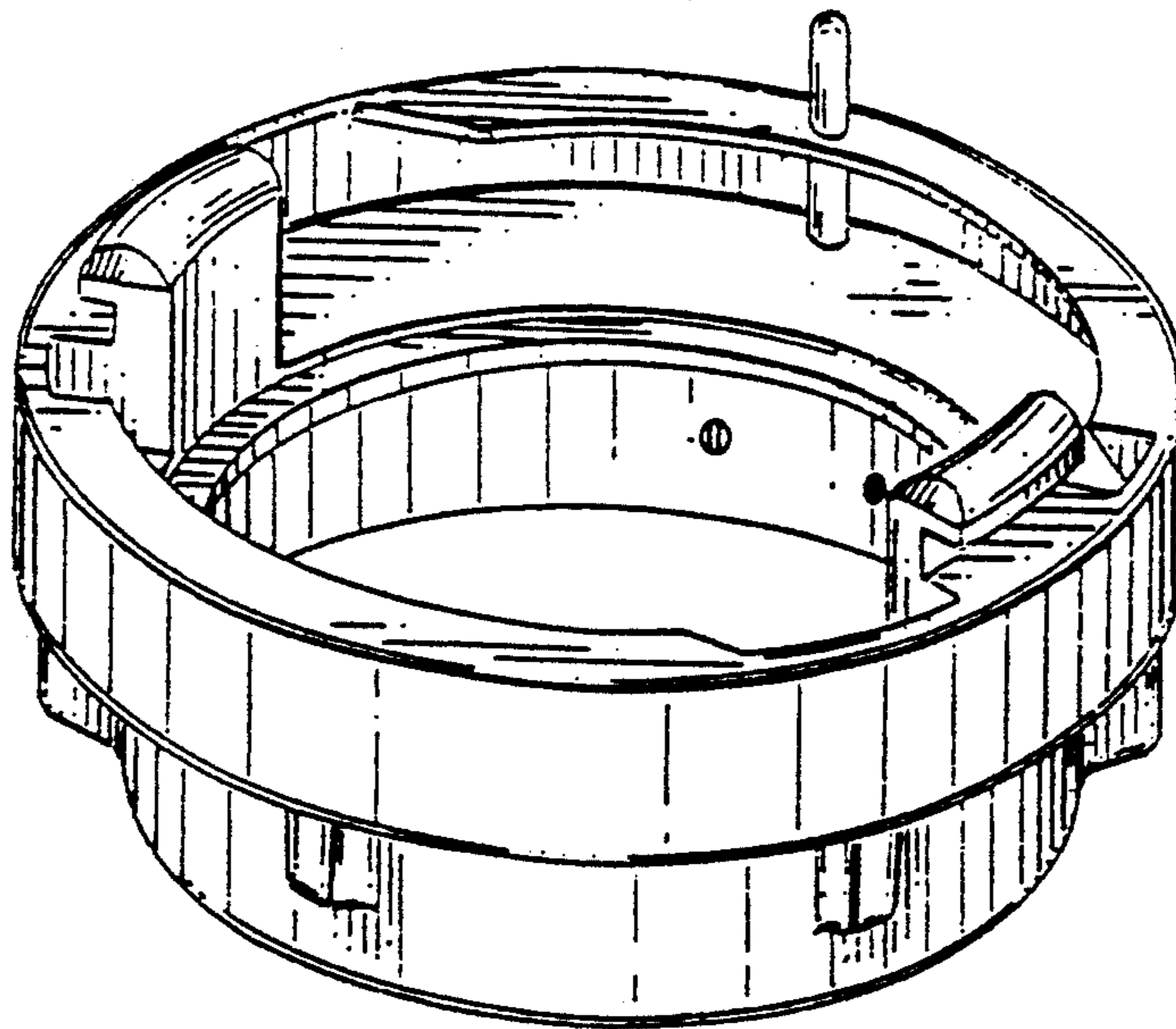
[52] U.S. Cl. **D23/262**

[58] Field of Search **D23/259-269;**
285/76, 79, 82, 87, 88, 360, 361, 376, 401

[56] References Cited

U.S. PATENT DOCUMENTS

D. 128,318	7/1941	Kelly	D23/262
D. 246,855	1/1978	Treloar	D23/262



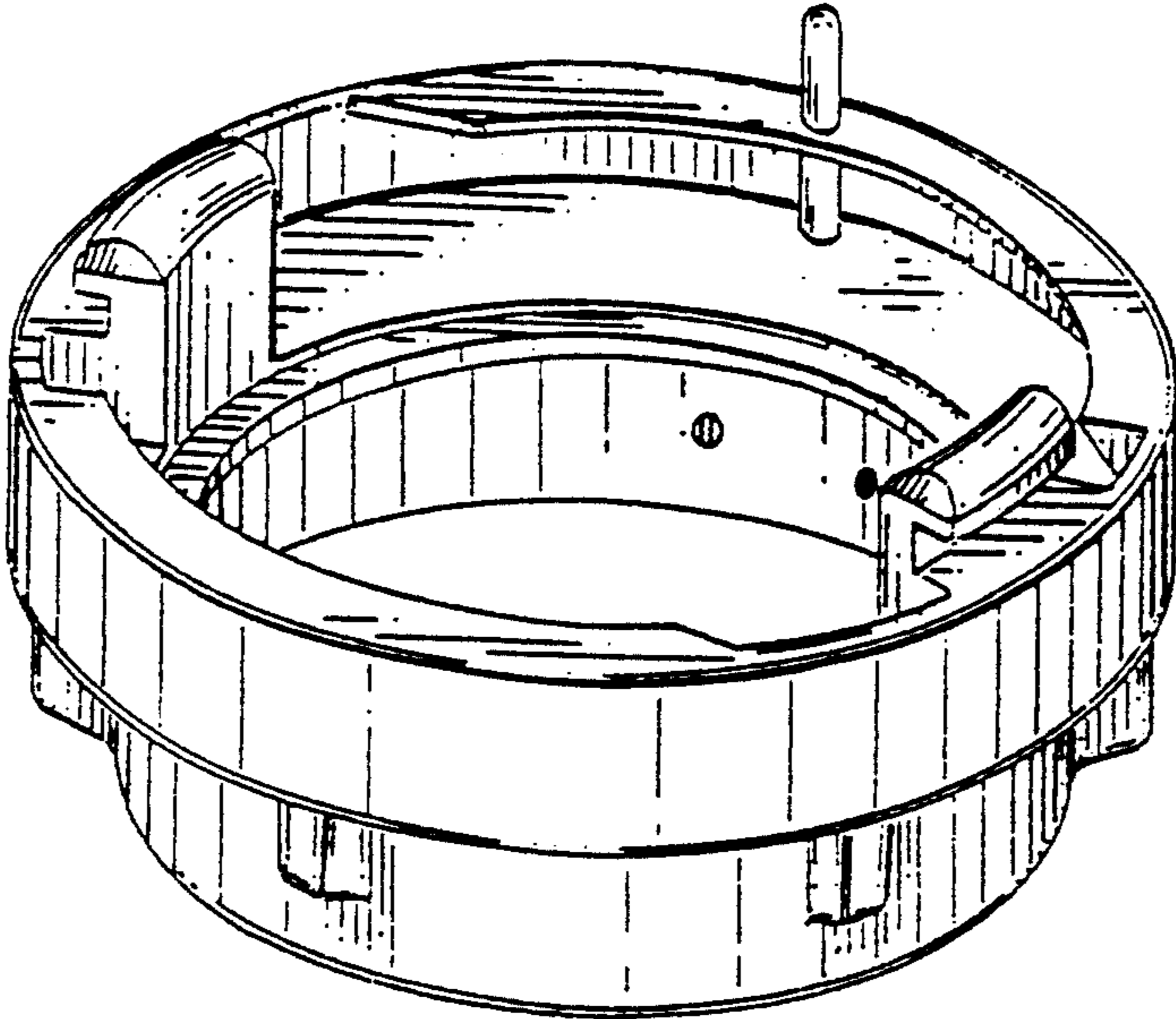


FIG. 1

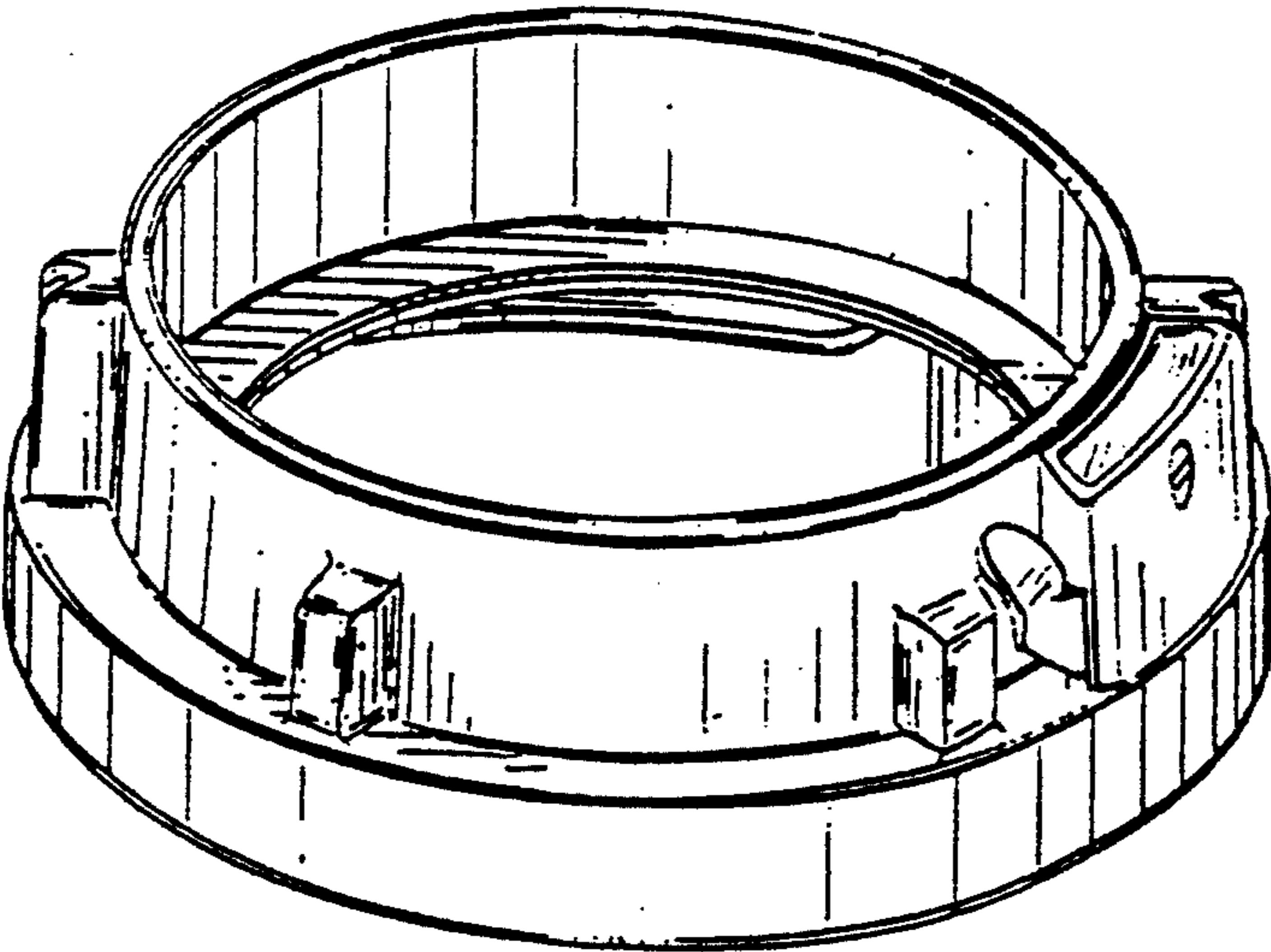


FIG. 2

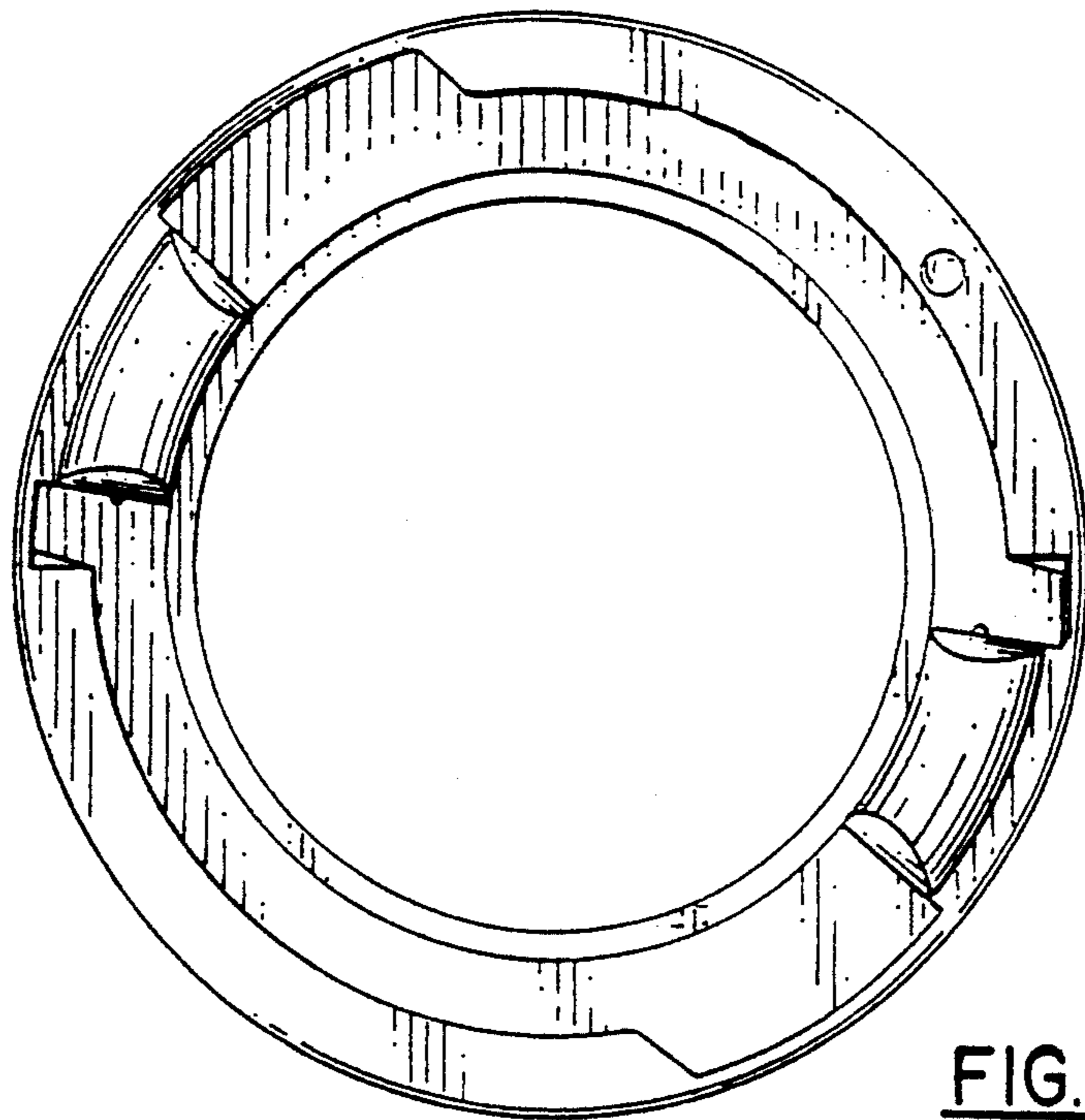


FIG. 3

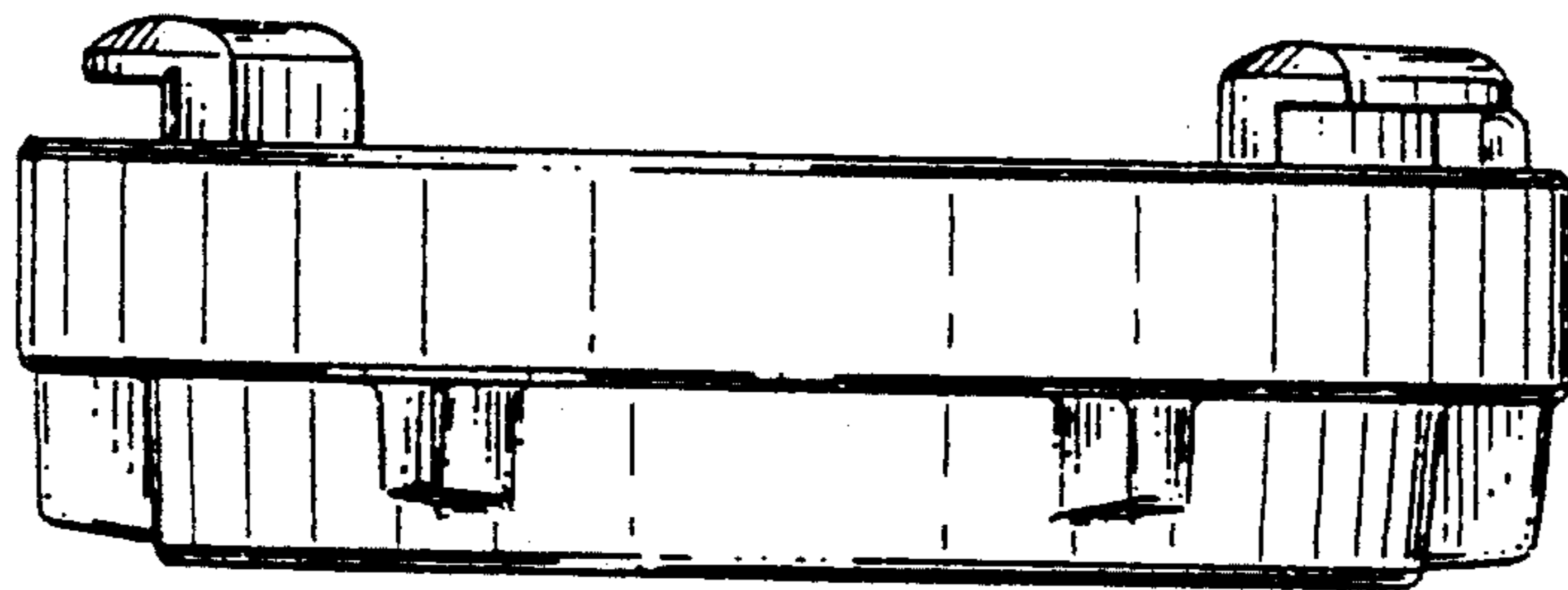


FIG. 4

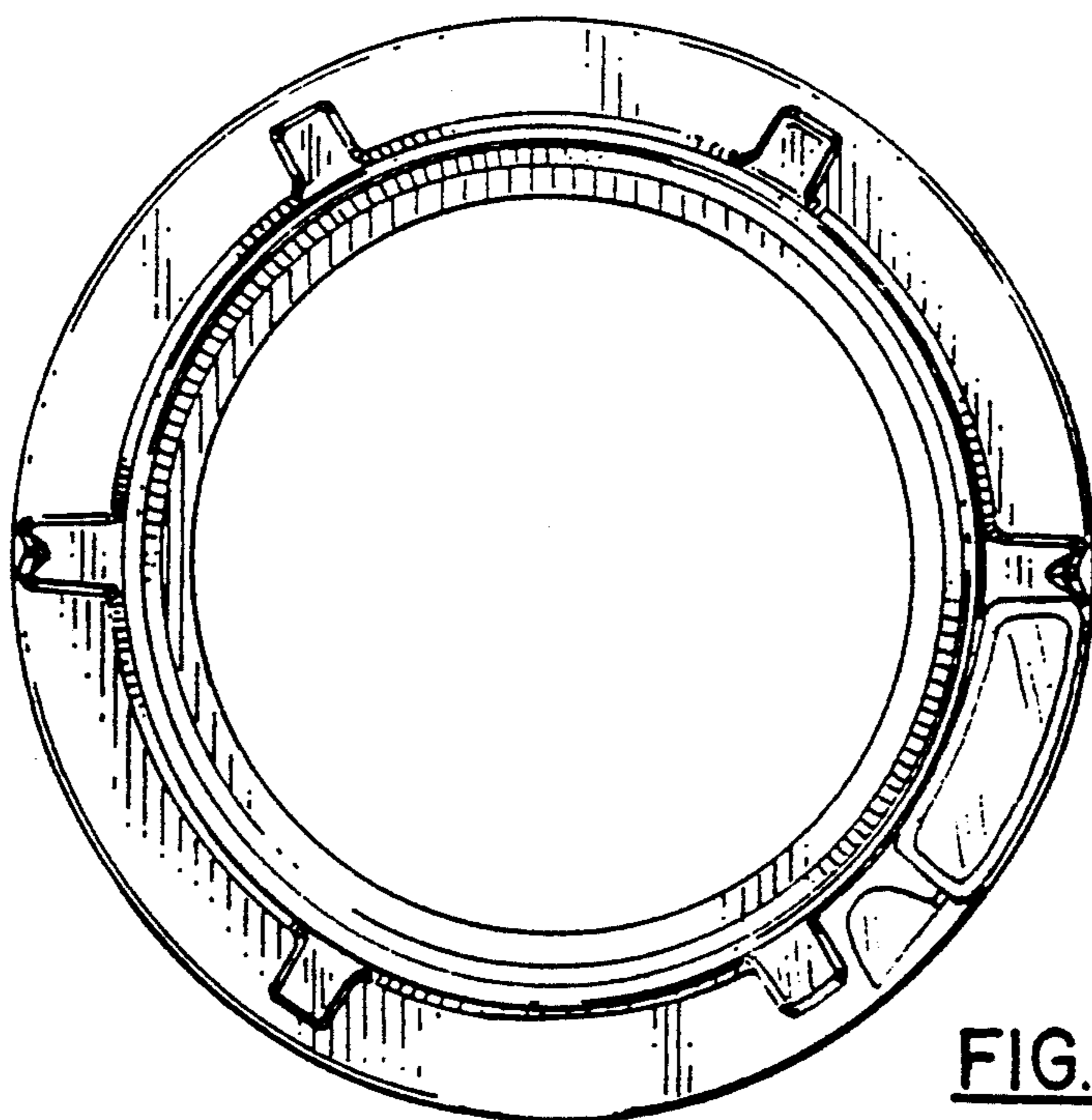


FIG. 5

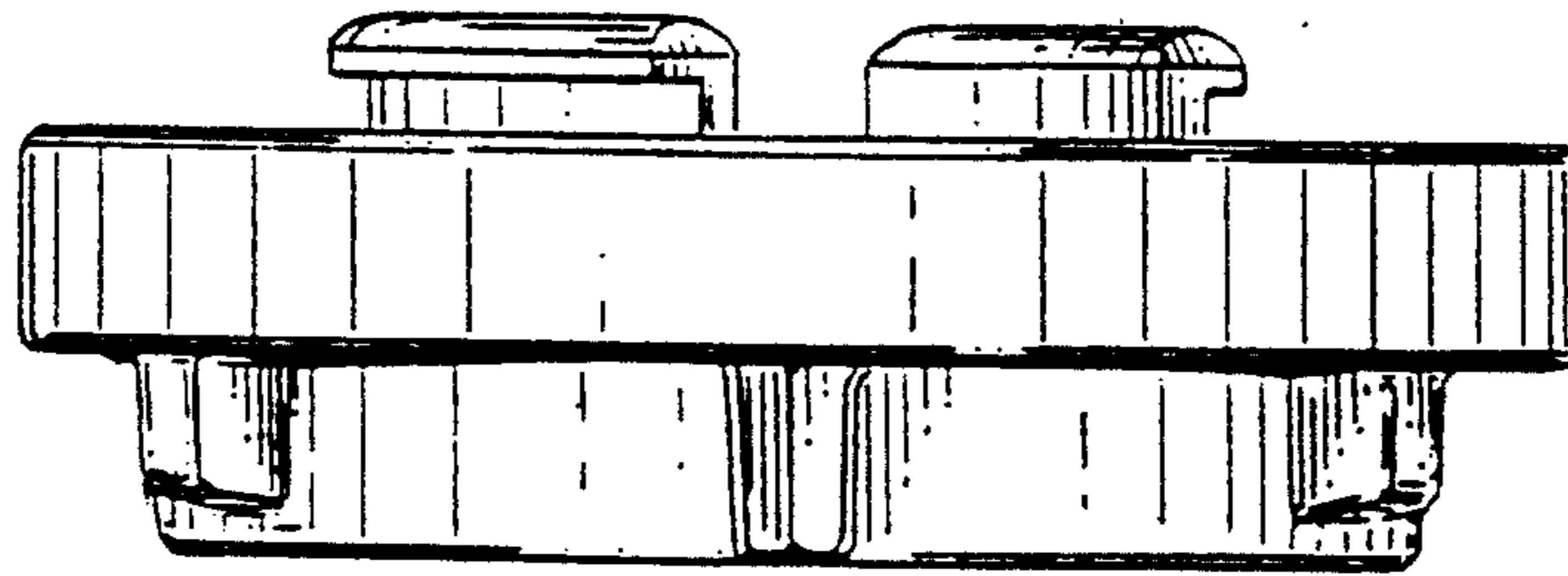


FIG. 6

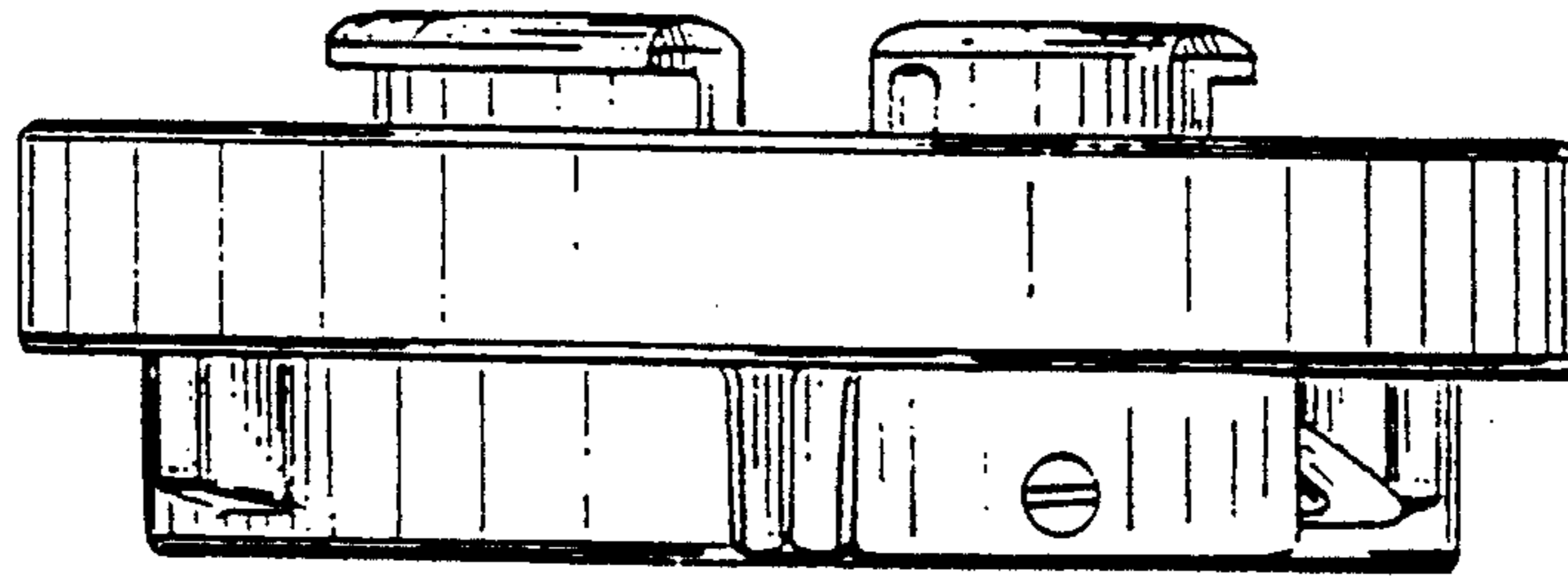


FIG. 7

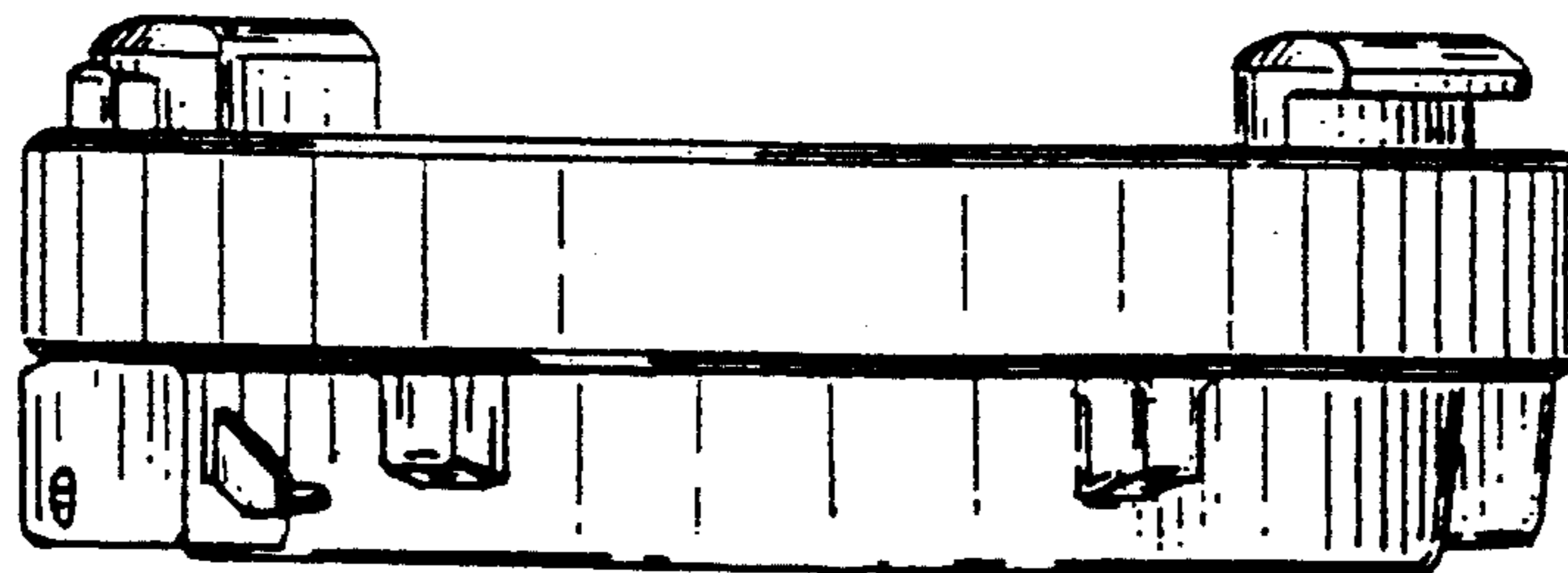


FIG. 8