



US00D336507S

United States Patent [19]

[11] Patent Number: **Des. 336,507**

Werner

[45] Date of Patent: **** Jun. 15, 1993**

[54] ICE FISHING TIP UP FRAME

4,685,240	8/1987	Fralick	43/17
4,780,979	11/1988	Dyck et al.	43/17
4,823,494	4/1989	Waterman	43/17
4,993,182	2/1991	Monsen	43/17
5,020,263	6/1991	Werner	43/17

[76] Inventor: **William A. Werner, 617 Sharon Rd., Oakley, Mich. 48649**

[**] Term: **14 Years**

Primary Examiner—A. Hugo Word
Assistant Examiner—Doris V. Coles
Attorney, Agent, or Firm—Learman & McCulloch

[21] Appl. No.: **626,177**

[22] Filed: **Dec. 12, 1990**

[52] U.S. Cl. **D22/134**

[57] **CLAIM**

[58] Field of Search **D22/134, 149, 148; 43/4, 16, 15, 17, 21.2; D10/104**

The ornamental design for a ice fishing tip up frame, as shown and described.

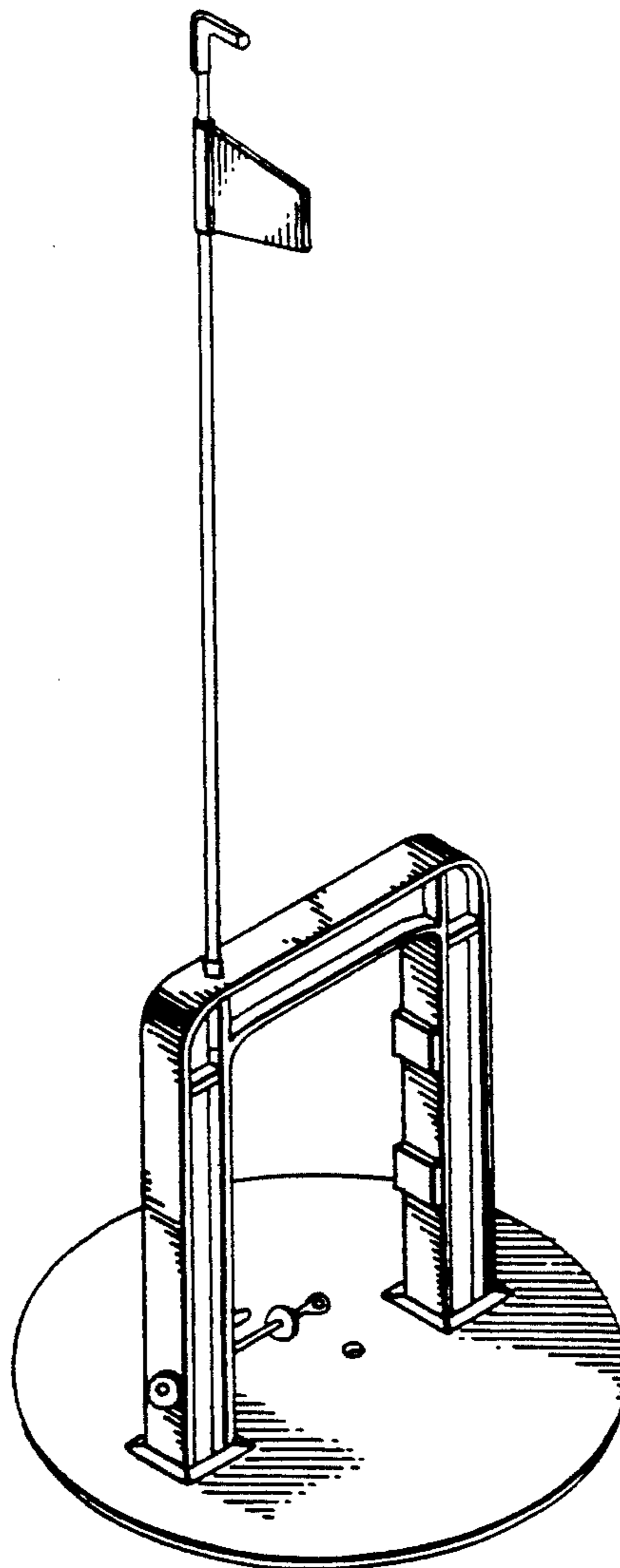
[56] **References Cited**

DESCRIPTION

U.S. PATENT DOCUMENTS

D. 282,389	1/1986	Hill	D22/148
D. 317,195	5/1991	Hackel	D22/134
2,785,493	3/1957	Thiel	43/17
2,786,294	3/1957	Whitacre	43/17
3,190,026	6/1965	Roszak	43/17
4,120,111	10/1978	Young, Jr.	43/17
4,571,876	2/1986	LeClair	43/17

FIG. 1 is a front perspective view of an ice fishing tip-up frame, showing my new design;
FIG. 2 is a front elevational view, the rear being a mirror image thereof except for the orientation of the flag;
FIG. 3 is a left side elevational view thereof;
FIG. 4 is a right side elevational view thereof;
FIG. 5 is a top plan view thereof; and,
FIG. 6 is a bottom plan view thereof.



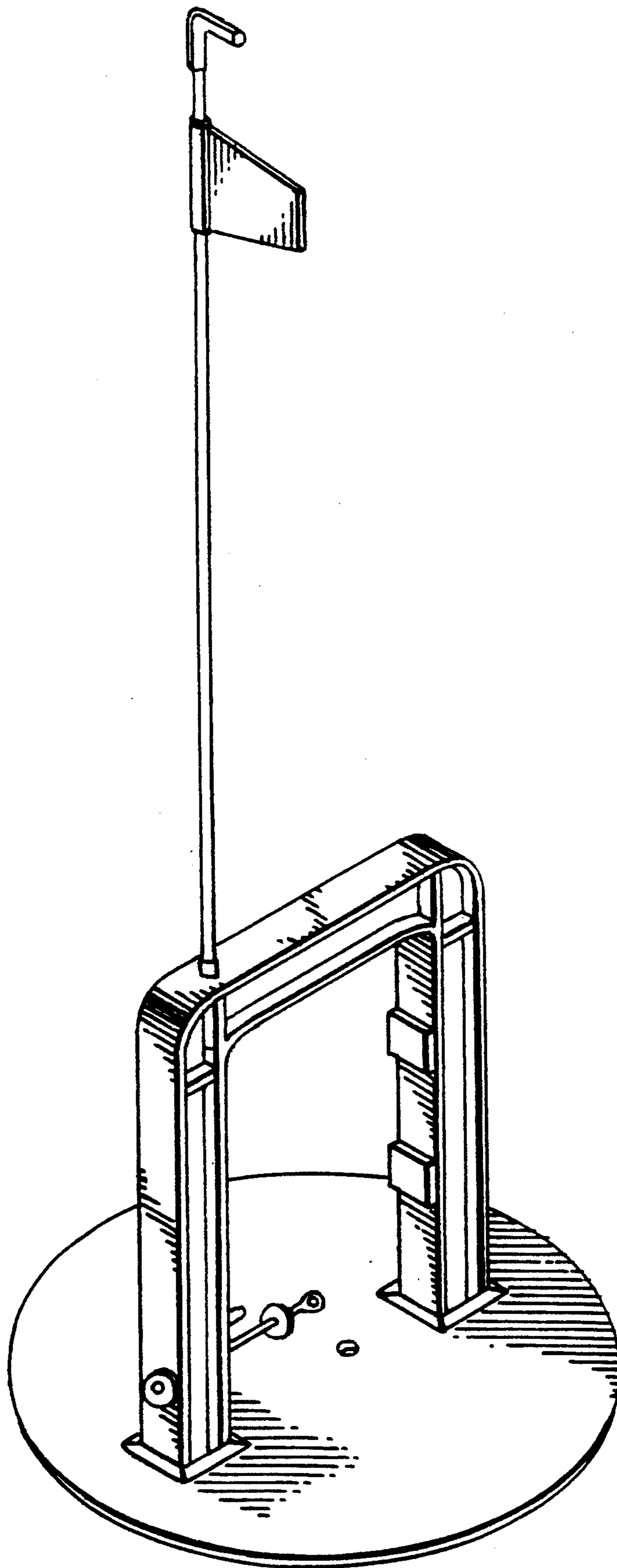


FIG. 1

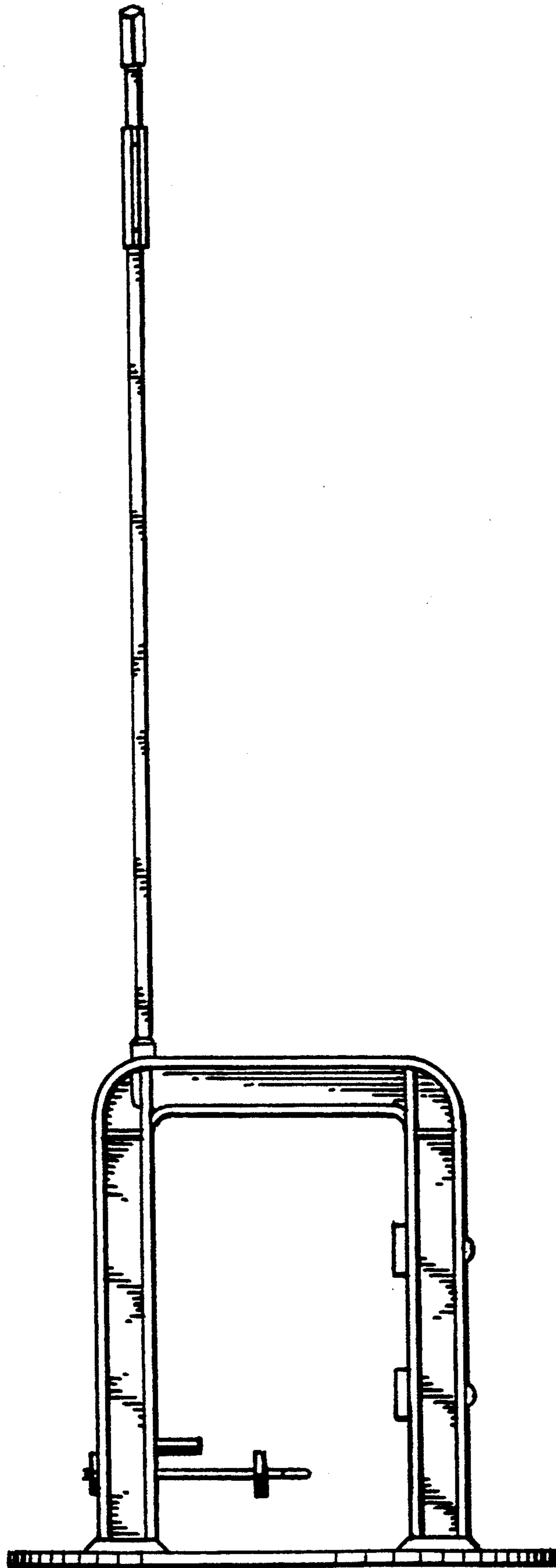


FIG 2

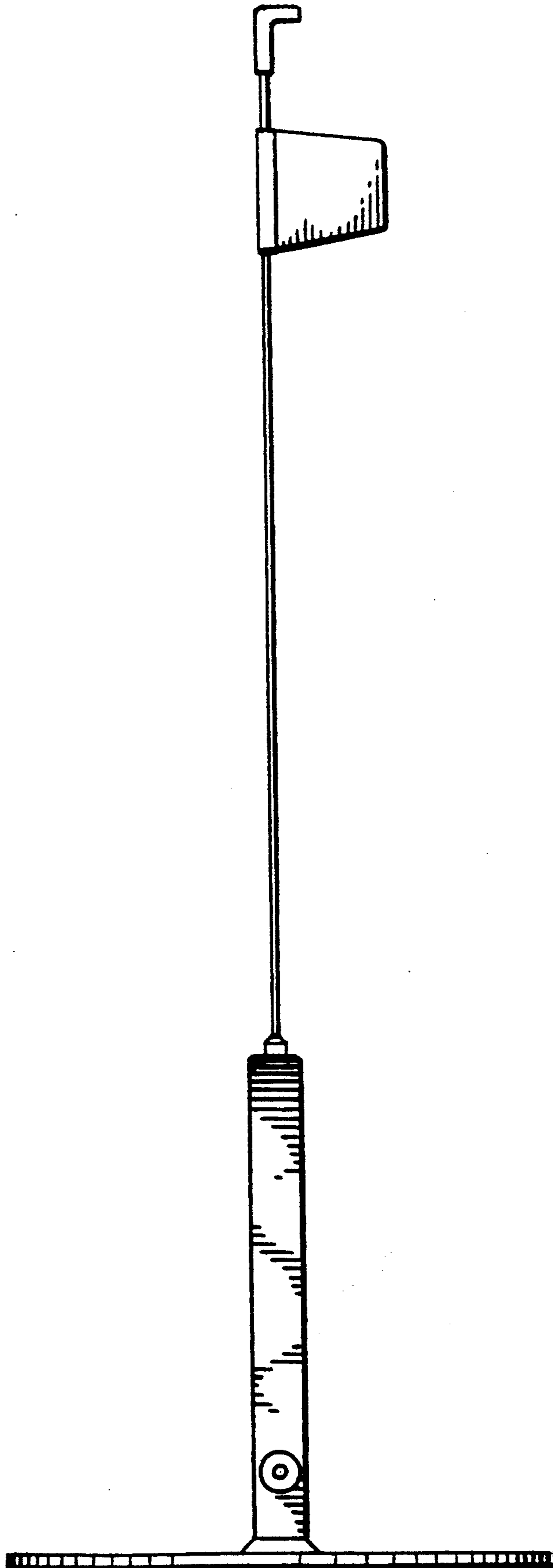


FIG. 3

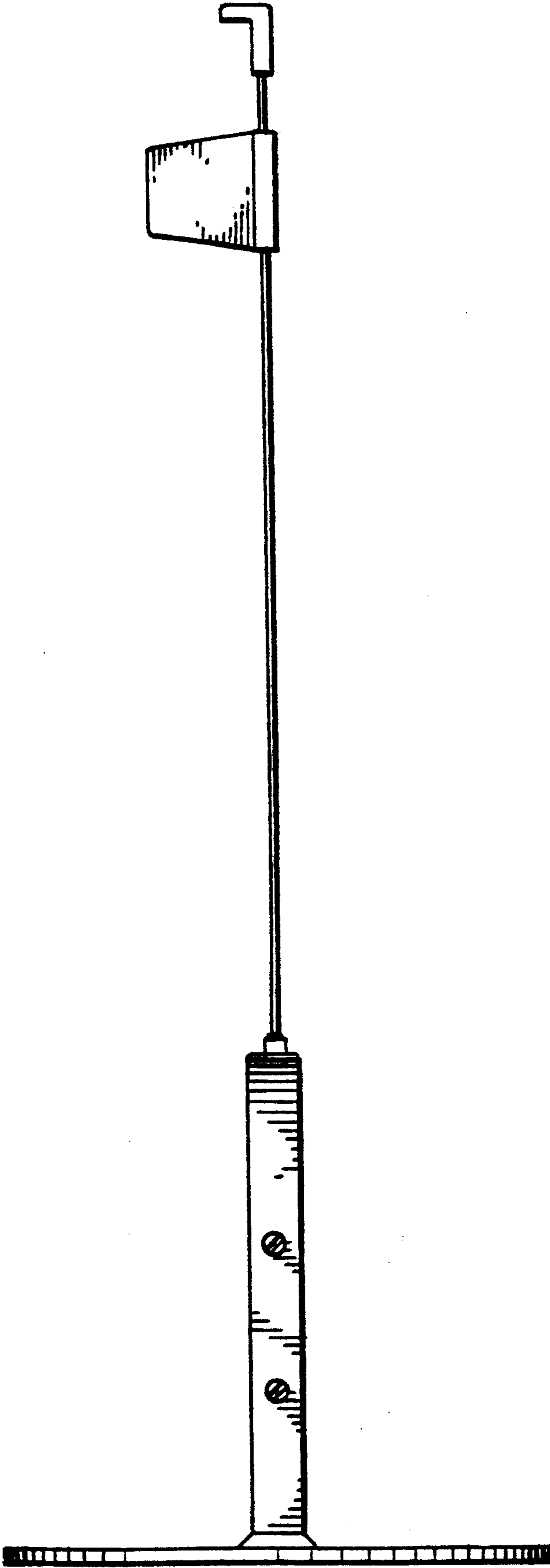


FIG.4

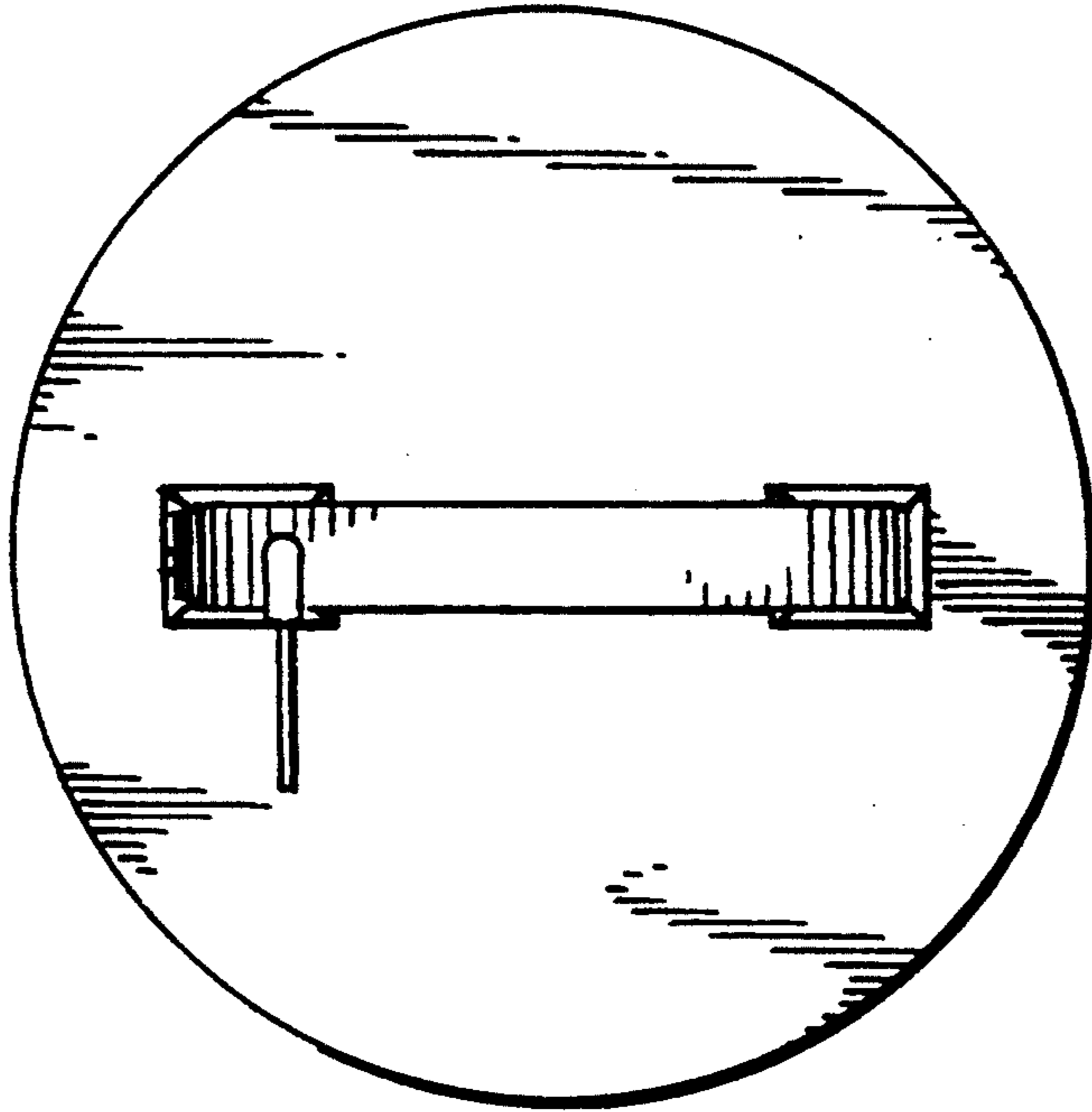


FIG. 5

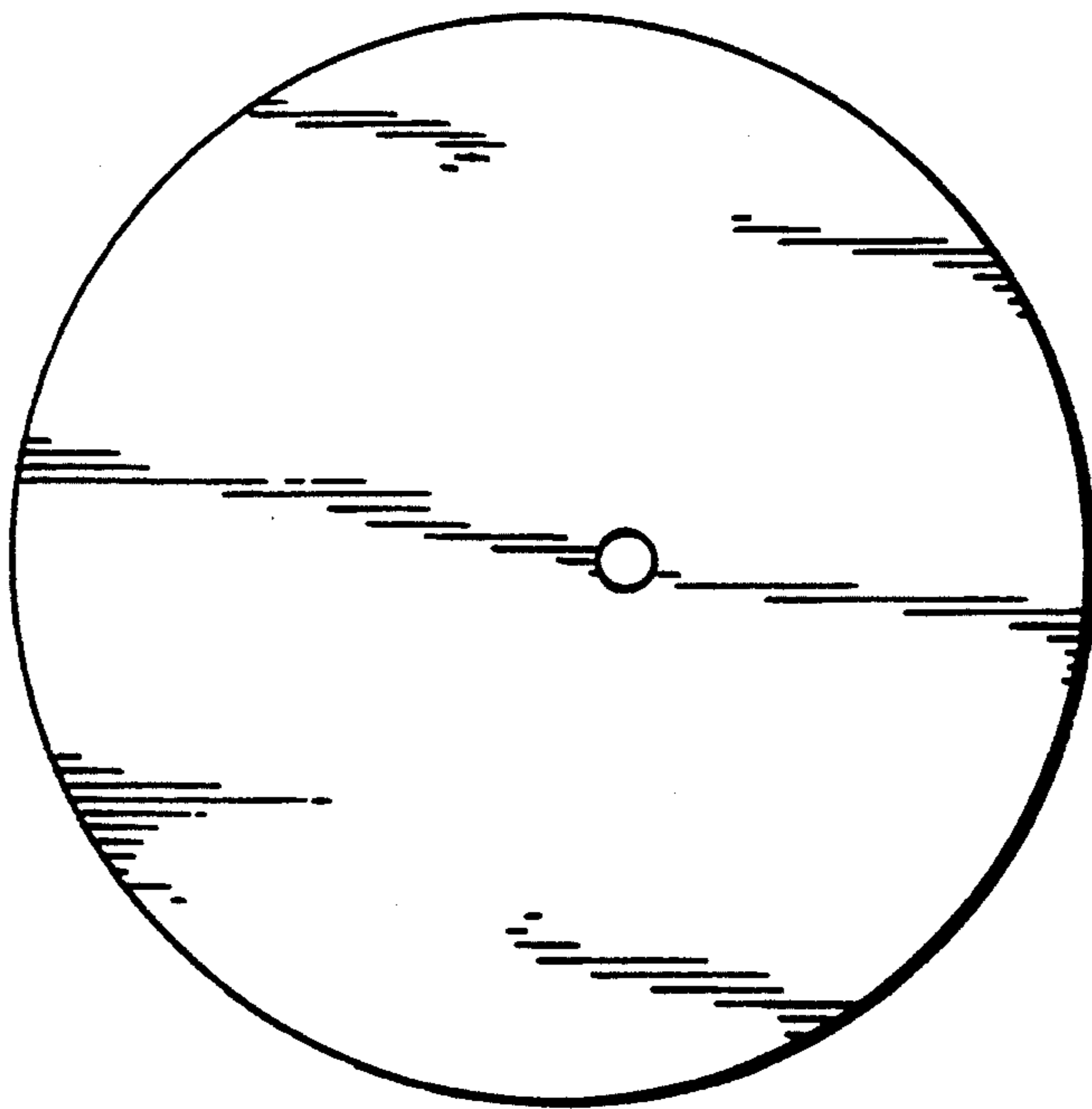


FIG. 6