



US00D336504S

# United States Patent [19]

[11] Patent Number: **Des. 336,504**

Castro

[45] Date of Patent: **\*\* Jun. 15, 1993**

[54] SHELTER

[76] Inventor: **David L. Castro**, 1425 La Salina, Oceanside, Calif.

[\*\*] Term: **14 Years**

[21] Appl. No.: **569,635**

[22] Filed: **Aug. 6, 1990**

[52] U.S. Cl. .... **D21/253**

[58] Field of Search ..... **D21/253, 254; 135/90, 135/102, 104, 105, 98, 99; D25/16, 56**

[56] **References Cited**

### U.S. PATENT DOCUMENTS

1,516,372	11/1924	Brooks	135/98
1,520,719	12/1924	Pilkinton	135/98
1,530,257	3/1925	Goldberg	135/98
1,531,622	3/1925	Parson	D21/253
1,583,831	5/1926	Hoigaard	135/98
1,649,219	11/1927	Goldberg	.
1,774,909	9/1930	Wells	D21/253
2,015,321	9/1935	Shelton	.
2,059,463	11/1936	Kemp	135/98

2,555,220	5/1951	Brown	135/98
3,419,024	12/1968	Nickerson	.
3,477,453	10/1966	D'Ulisse	.
3,794,054	2/1974	Watts	.
4,033,366	7/1977	Forget	135/2
4,086,931	5/1978	Hall	135/98
4,836,231	6/1989	Peterson	135/98

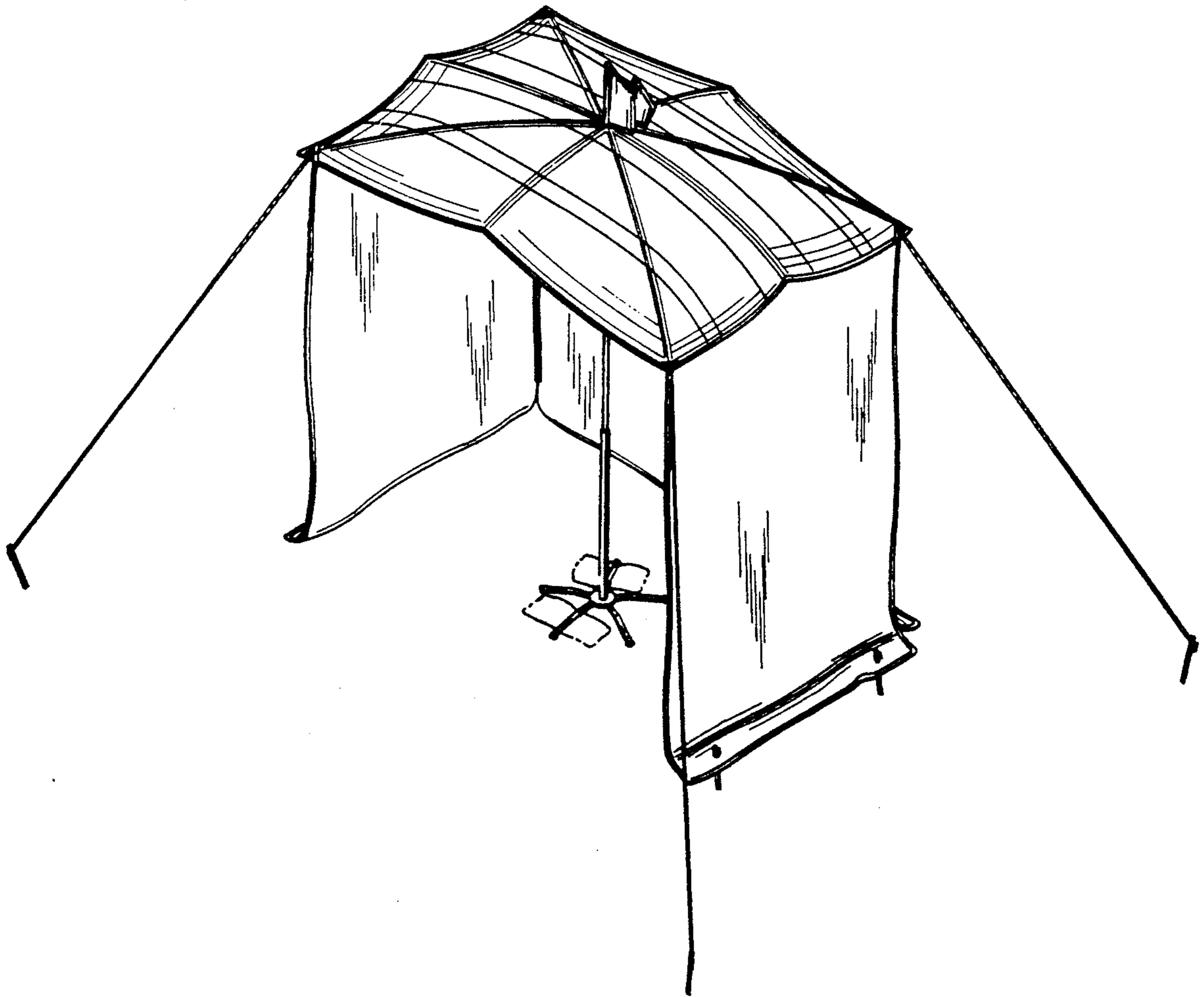
*Primary Examiner*—Bernard Ansher  
*Assistant Examiner*—R. Barkai  
*Attorney, Agent, or Firm*—Duane C. Bowen

### [57] CLAIM

The ornamental design for a shelter, as shown and described.

### DESCRIPTION

FIG. 1 is a top, front and right side perspective view of a shelter showing my new design; FIG. 2 is a bottom, front and left side perspective view thereof; FIG. 3 is a rear elevational view thereof; and, FIG. 4 is a perspective view of a second modified embodiment of the design shown in FIGS. 1 thru 3 with a front wall panel.



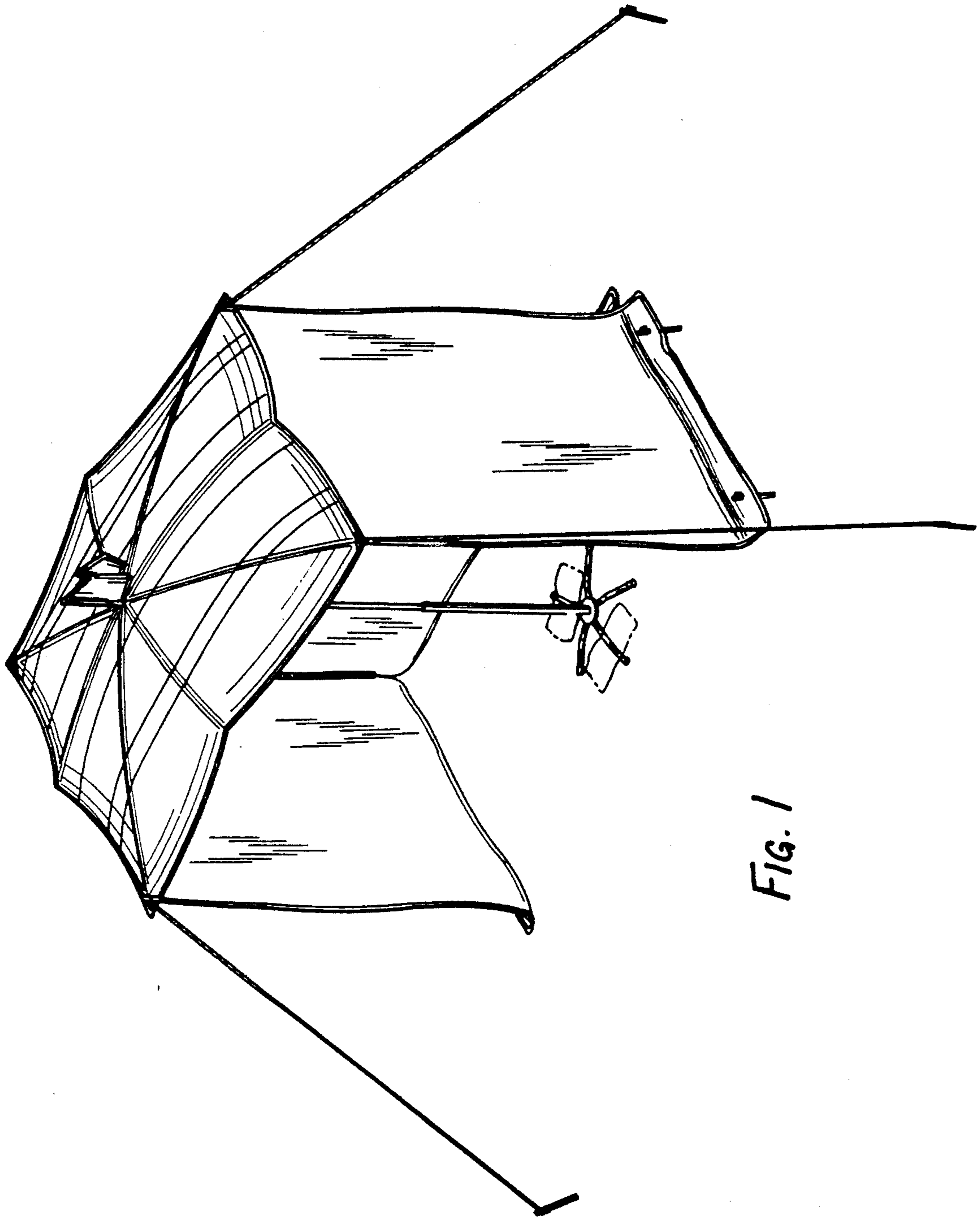


FIG. 1

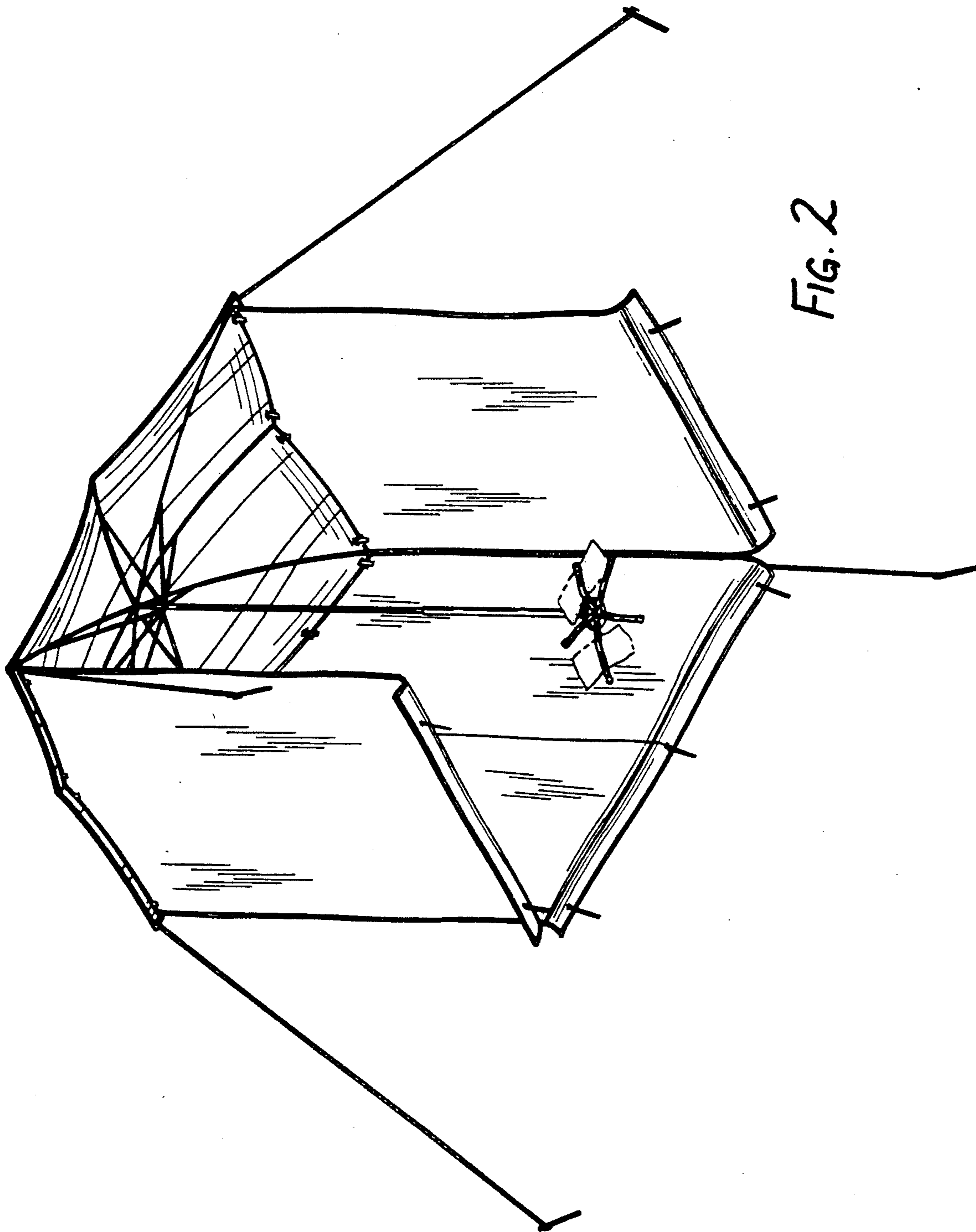
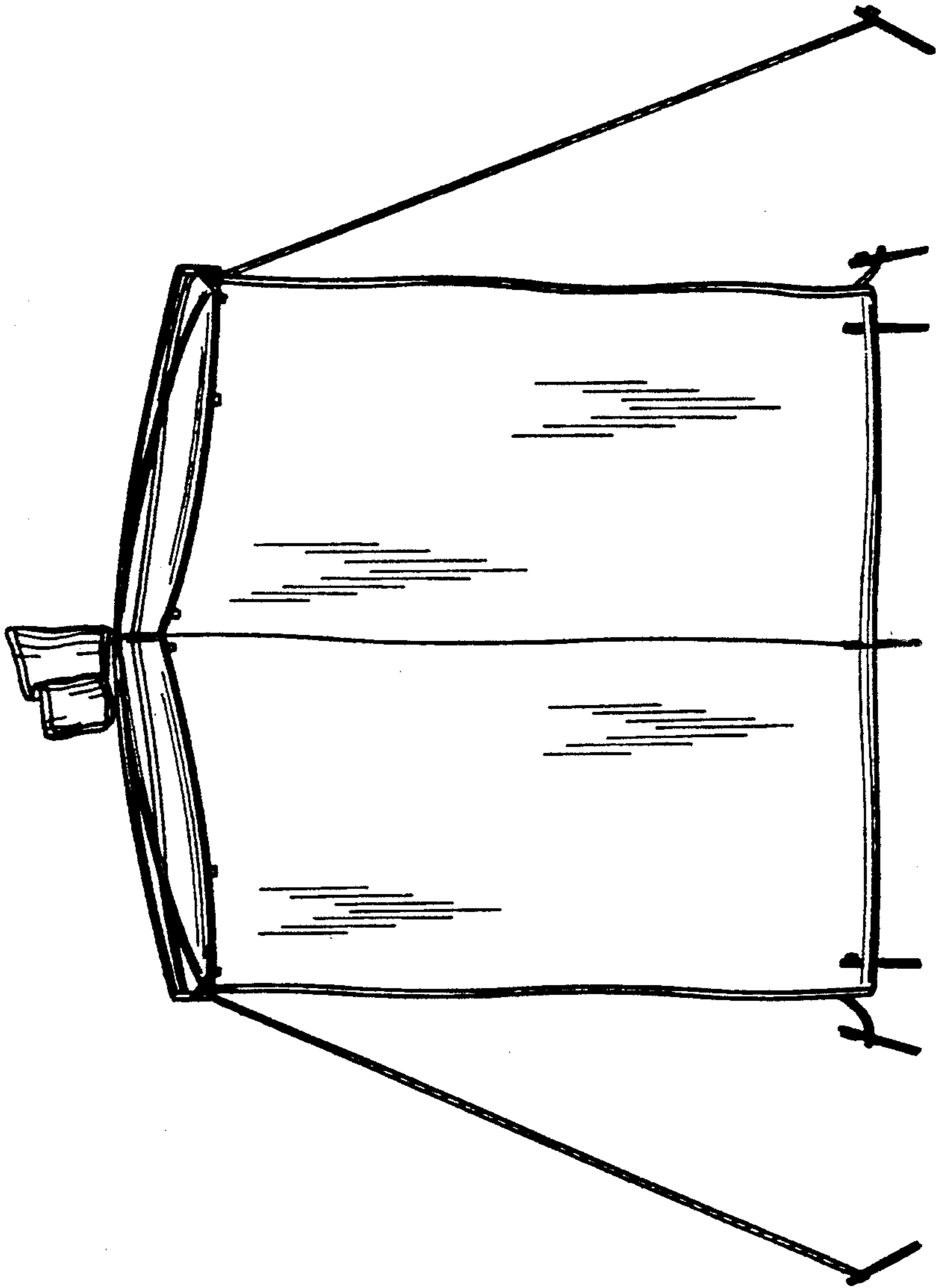


FIG. 2

FIG. 3





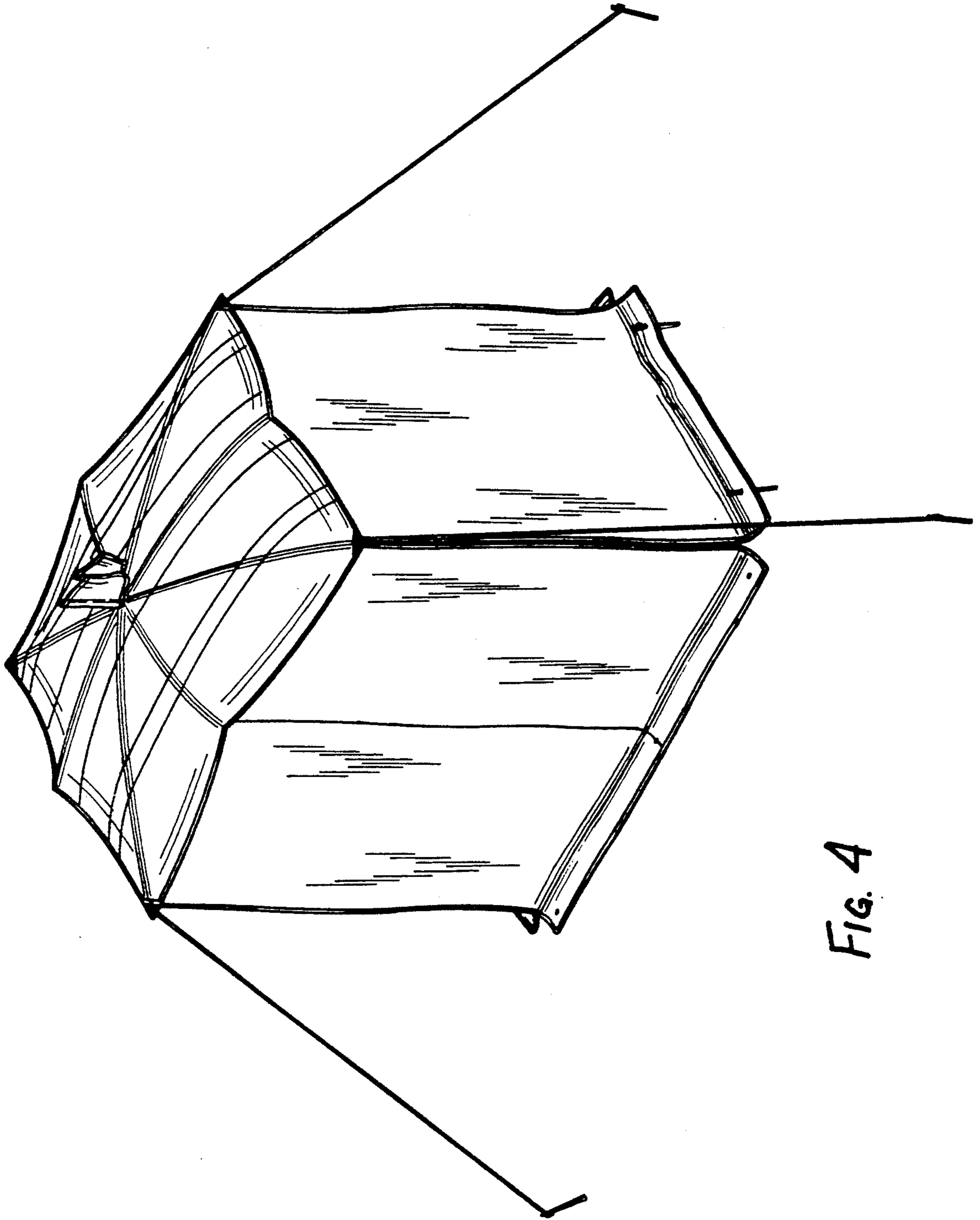


FIG. 4