



US00D336502S

United States Patent [19]

[11] Patent Number: **Des. 336,502**

Smith et al.

[45] Date of Patent: **** Jun. 15, 1993**

[54] **PROTECTIVE COVER FOR PLAY GYM LEG JOINTS**

4,950,003 8/1990 Holtz 403/362 X
5,027,907 7/1991 Delyea 403/362 X

[75] Inventors: **Samuel G. Smith**, West Point; **Robert J. Nolan**, Columbus, both of Miss.

Primary Examiner—B. J. Bullock
Assistant Examiner—Prabhakar Deshmukh
Attorney, Agent, or Firm—Renner, Kenner, Greive, Bobak, Taylor & Weber

[73] Assignee: **Par Industries, Inc.**, Medina, Ohio

[**] Term: **14 Years**

[57] **CLAIM**

[21] Appl. No.: **646,052**

The ornamental design for a protective cover for play gym leg joints, as shown and described.

[22] Filed: **Jan. 25, 1991**

[52] U.S. Cl. **D21/242**

DESCRIPTION

[58] **Field of Search** D21/240, 242, 243, 244, D21/245; 403/362, 202, 203, 220, 223, 405.1; 52/5, 3, 645, 650, 659, 665, DIG. 6; D25/61, 68, 129, 133

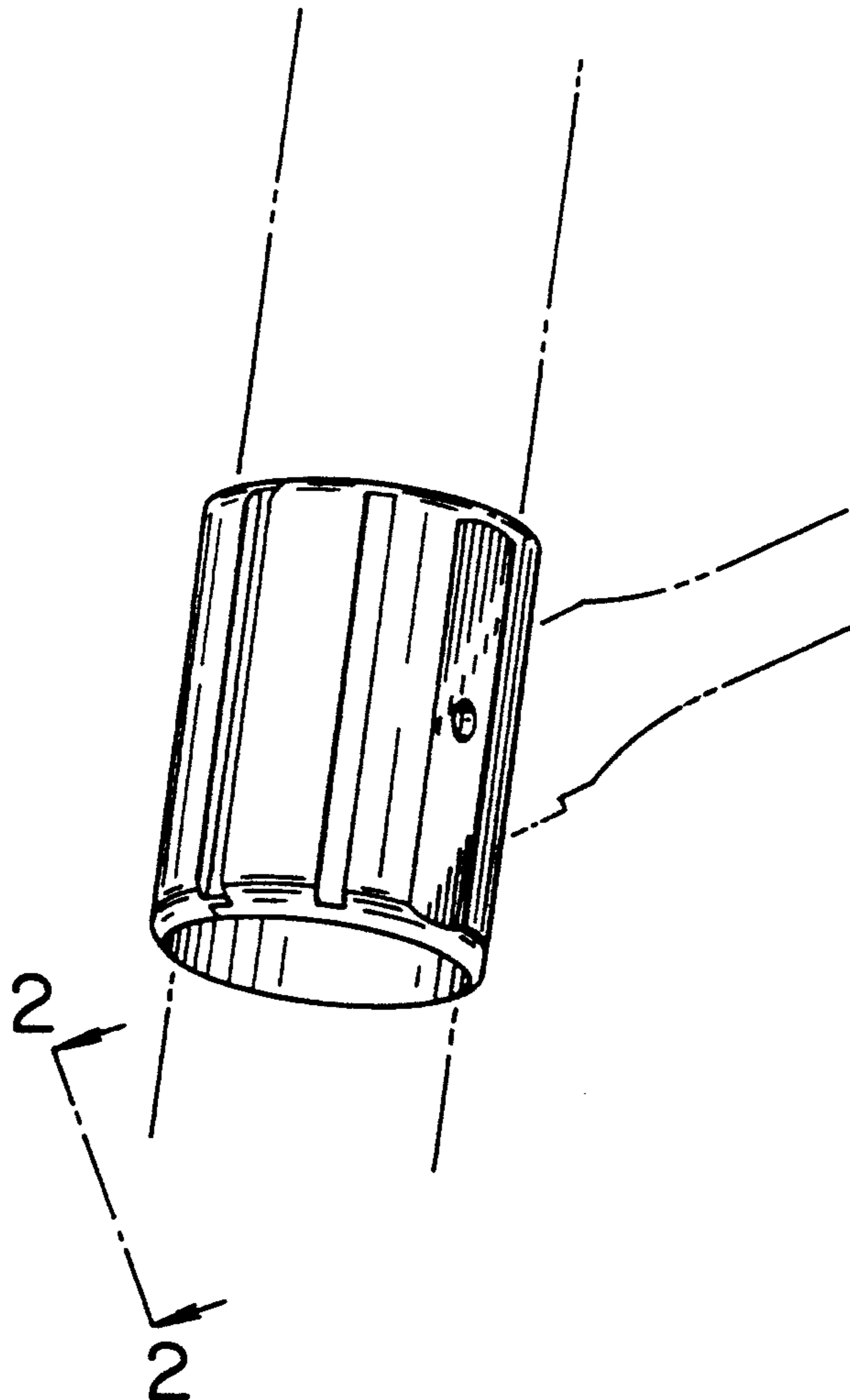
FIG. 1 is a perspective view of a protective cover for play gym leg joints showing our new design; FIG. 2 is a perspective view thereof; shown in an alternate position; FIG. 3 is a top plan view thereof; the bottom plan view being a mirror image thereof; FIG. 4 is a left side elevational view thereof; the right elevational view being a mirror image thereof; and, FIG. 5 is a front elevational view thereof; the rear elevational view being a mirror image thereof.

[56] **References Cited**

U.S. PATENT DOCUMENTS

D. 142,350	8/1945	Reiner	D25/68
2,503,738	4/1950	Horton	403/362
3,531,068	9/1970	Fischer	403/220 X
4,098,090	7/1978	Dotti	52/719 X
4,314,771	2/1982	Lambert	403/362 X
4,826,152	5/1989	Lo	403/362 X

The broken line showing of the legs for a play gym is for illustrative purpose only and forms no part of the claim.



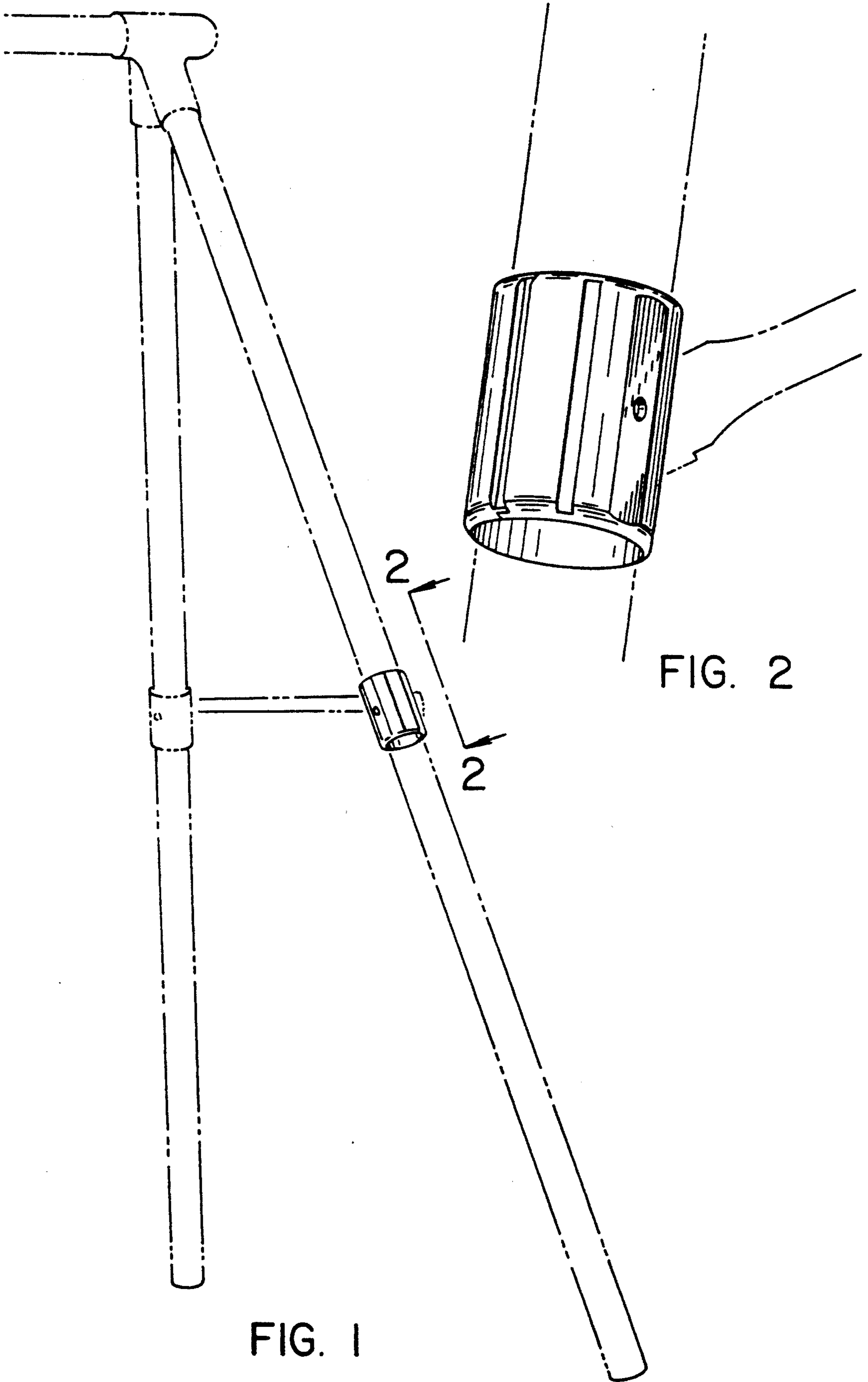


FIG. 1

FIG. 2

FIG. 3

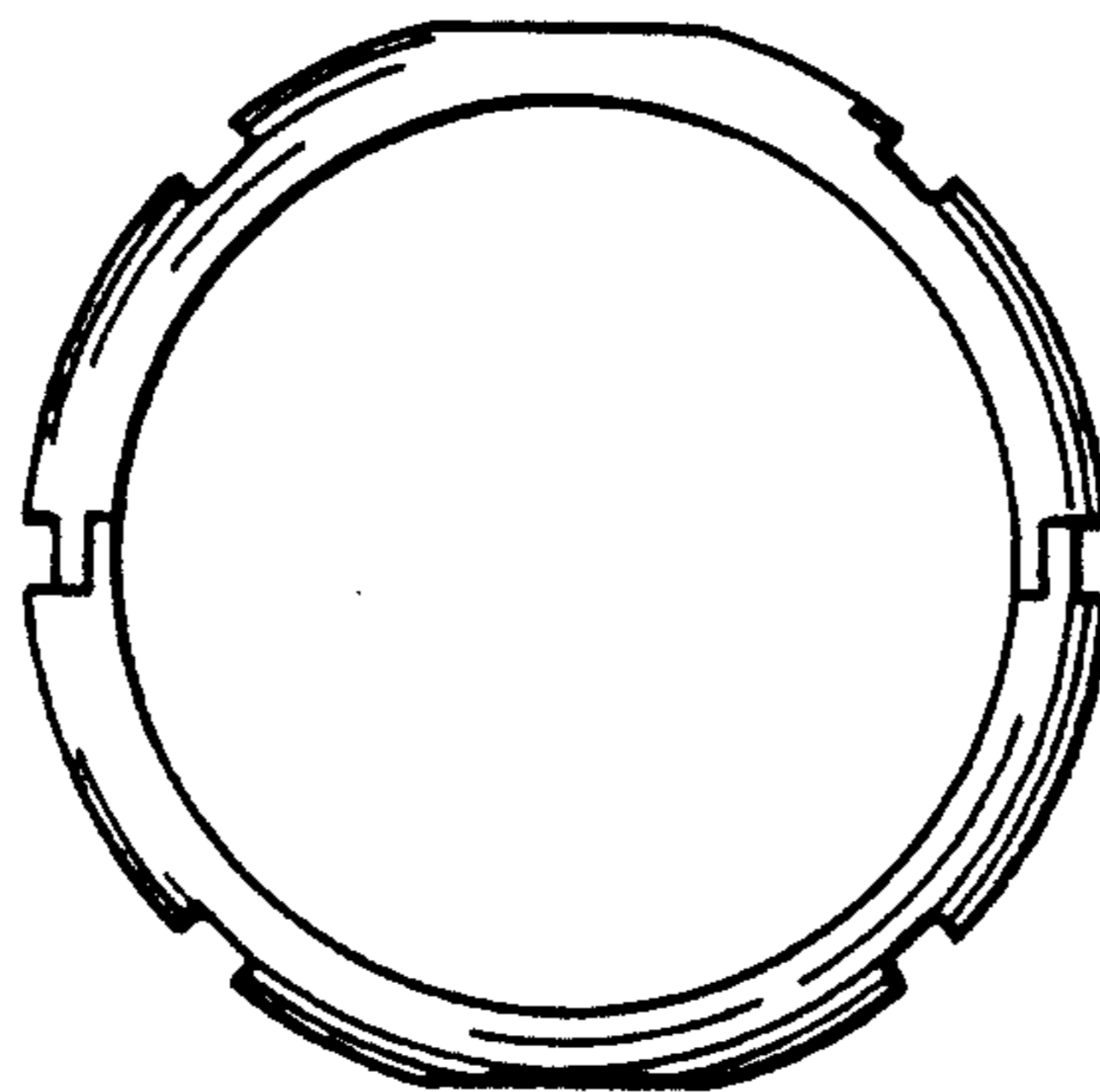


FIG. 4

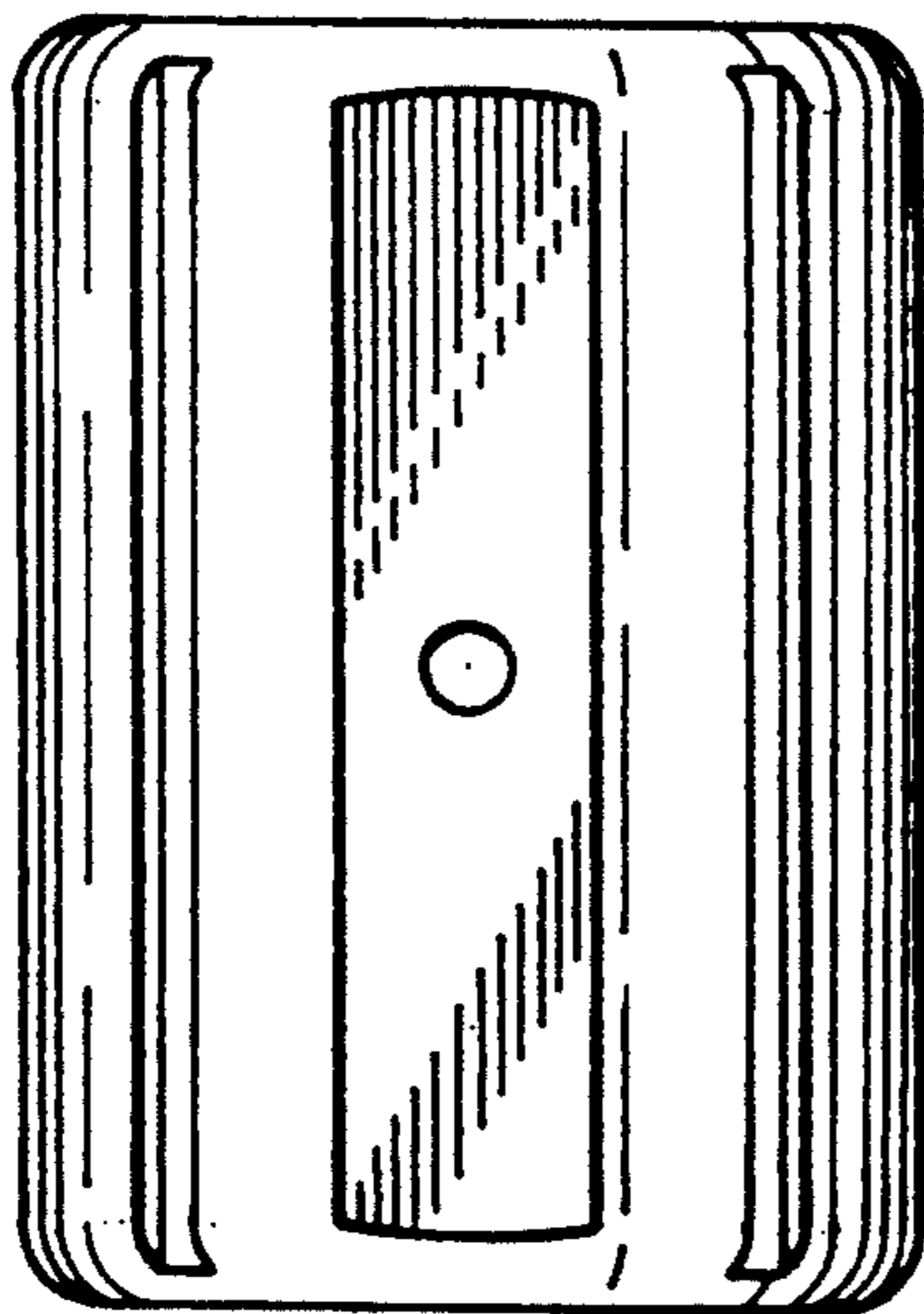


FIG. 5

