



US00D336500S

# United States Patent [19]

[11] Patent Number: **Des. 336,500**

Driska

[45] Date of Patent: **\*\* Jun. 15, 1993**

[54] **BASKETBALL BASKET AND BACKBOARD ASSEMBLY**

4,793,611 12/1988 Thornell ..... 273/1.5 R  
5,082,261 1/1992 Pelfry ..... 273/1.5 R

[75] Inventor: **John J. Driska**, Princeton Junction, N.J.

*Primary Examiner*—Melvin B. Feifer  
*Attorney, Agent, or Firm*—Amster, Rothstein & Ebenstein

[73] Assignee: **Azrak-Hamway International Inc.**, New York, N.Y.

[57] **CLAIM**

[\*\*] Term: **14 Years**

The ornamental design for a basketball basket and backboard assembly, as shown and described.

[21] Appl. No.: **716,376**

**DESCRIPTION**

[22] Filed: **Jun. 14, 1991**

**Related U.S. Application Data**

[63] Continuation-in-part of Ser. No. 651,737, Feb. 7, 1991, Pat. No. 5,066,006.

[52] U.S. Cl. .... **D21/201**

[58] Field of Search ..... **D21/201; 273/1.5**

FIG. 1 is a front elevational view of a basketball basket and backboard assembly showing my new design, with a stand therefor being indicated in phantom line;

FIG. 2 is a side elevational view thereof;

FIG. 3 is a rear elevational view thereof;

FIG. 4 is a top plan view thereof;

FIG. 5 is a bottom plan view thereof; and,

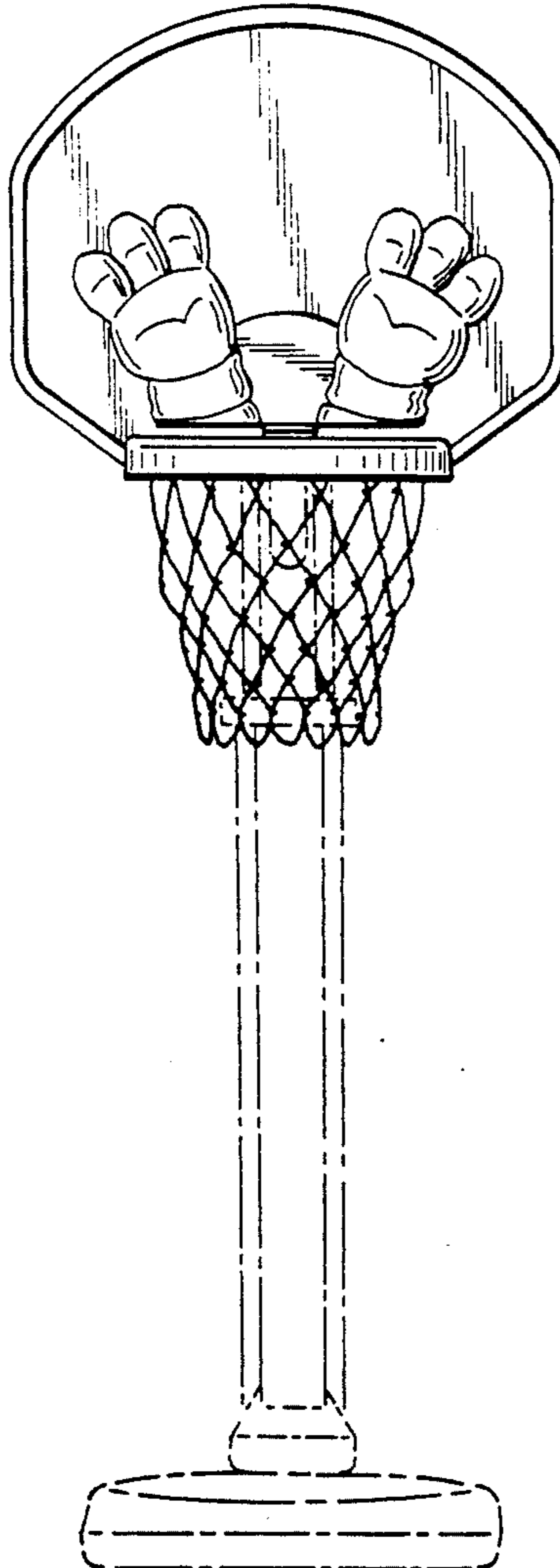
FIG. 6 is a side elevational view, similar to FIG. 2, but showing the assembly in a position of use, with a basketball being indicated in phantom line.

The phantom lines are for illustrative purposes only and form no part of my design.

**References Cited**

**U.S. PATENT DOCUMENTS**

4,145,044 3/1979 Wilson et al. .... 273/1.5 R  
4,202,543 5/1980 Collins ..... 273/1.5 R



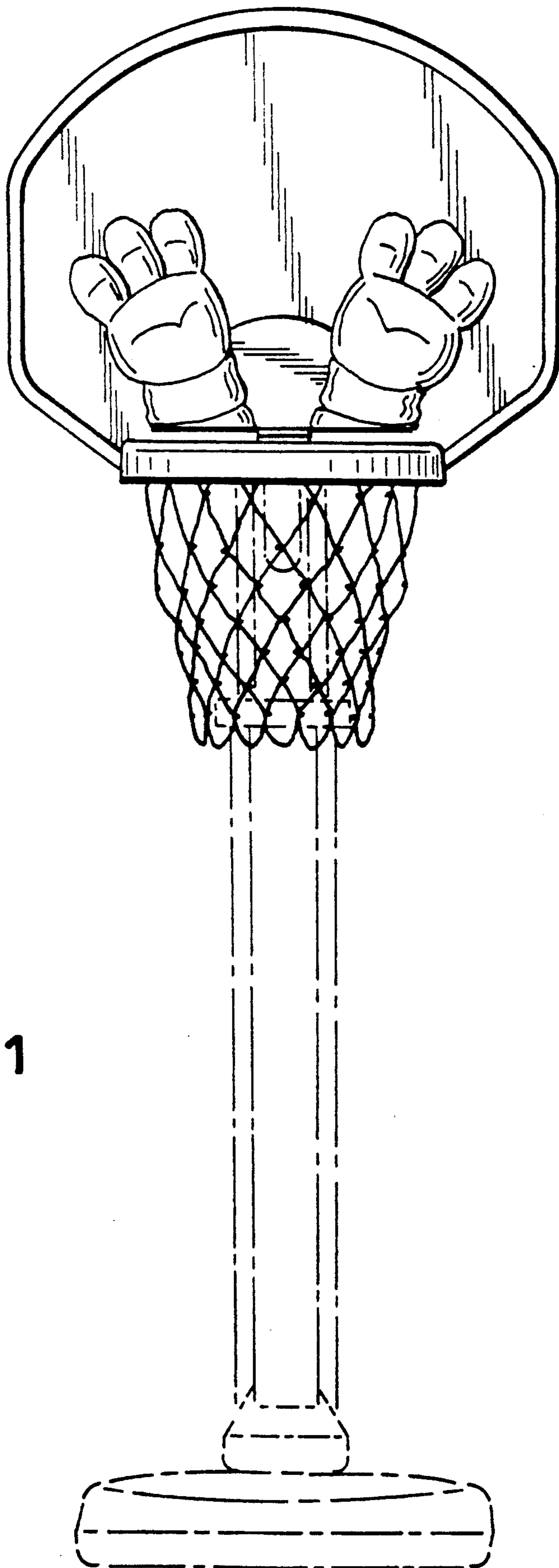


FIG. 1

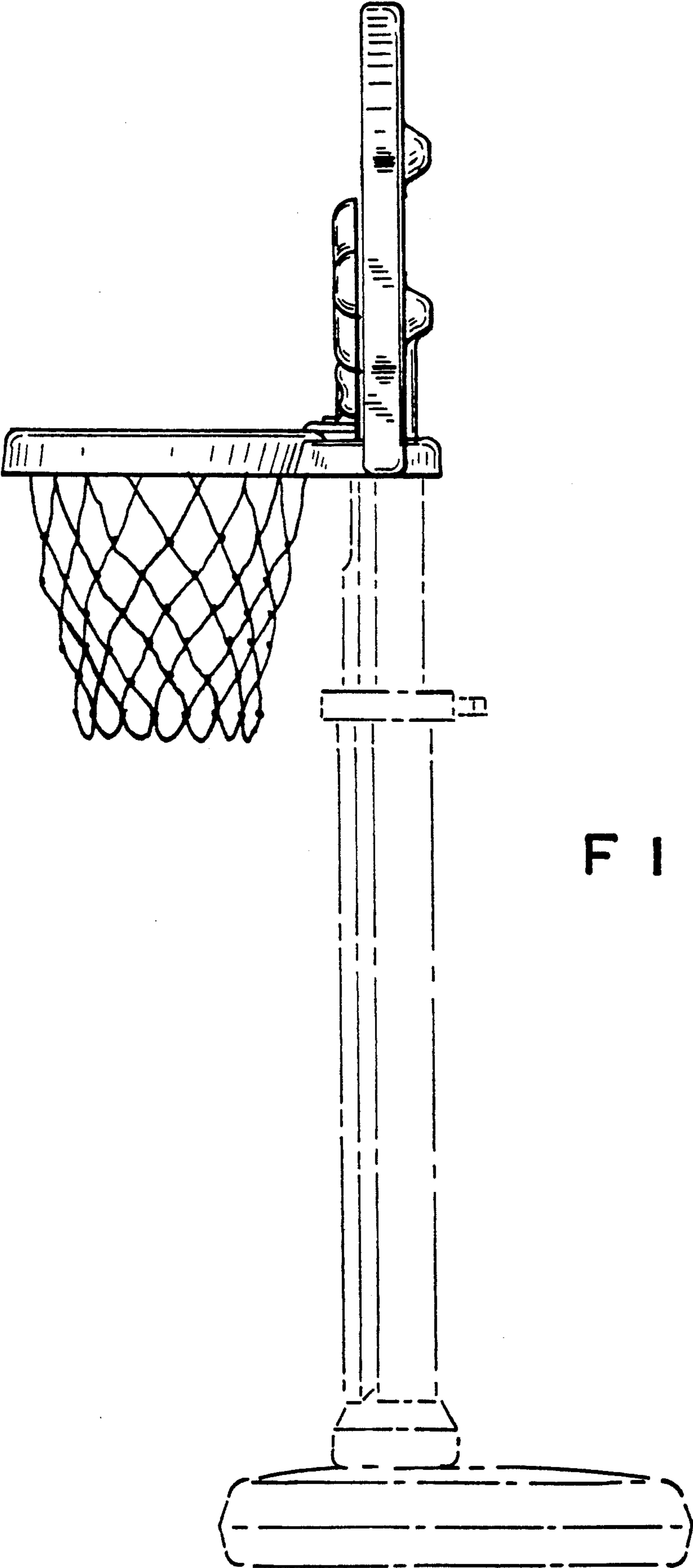


FIG. 2

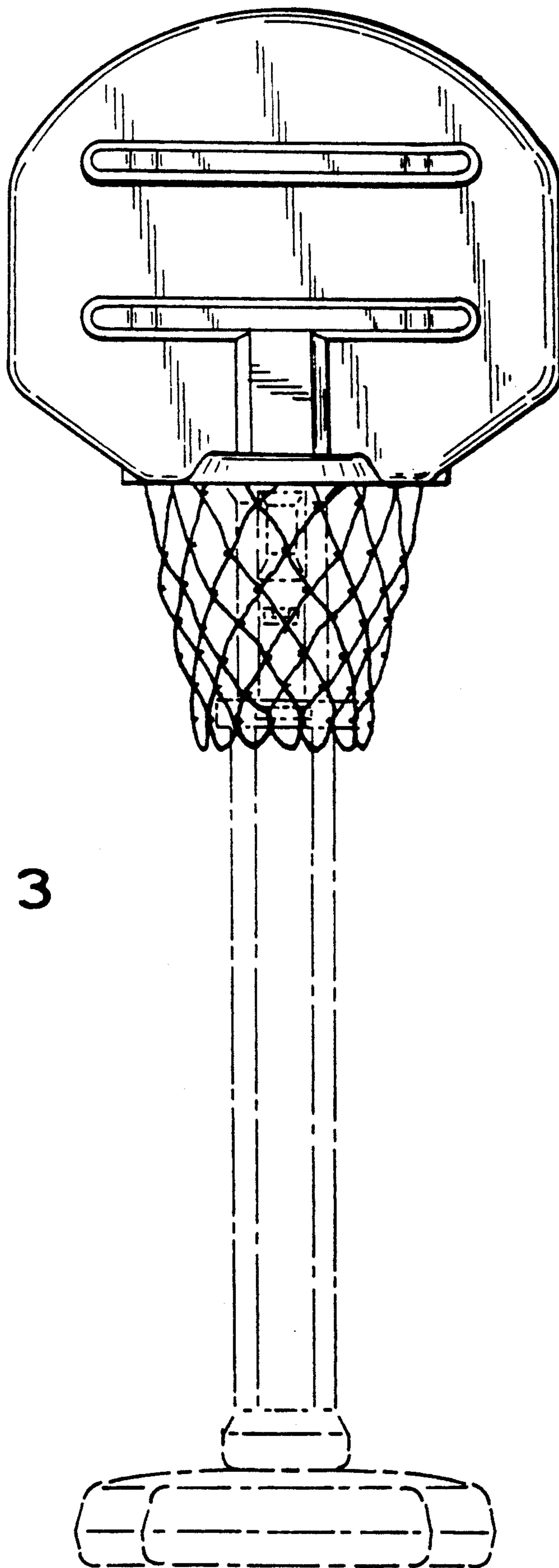


FIG. 3

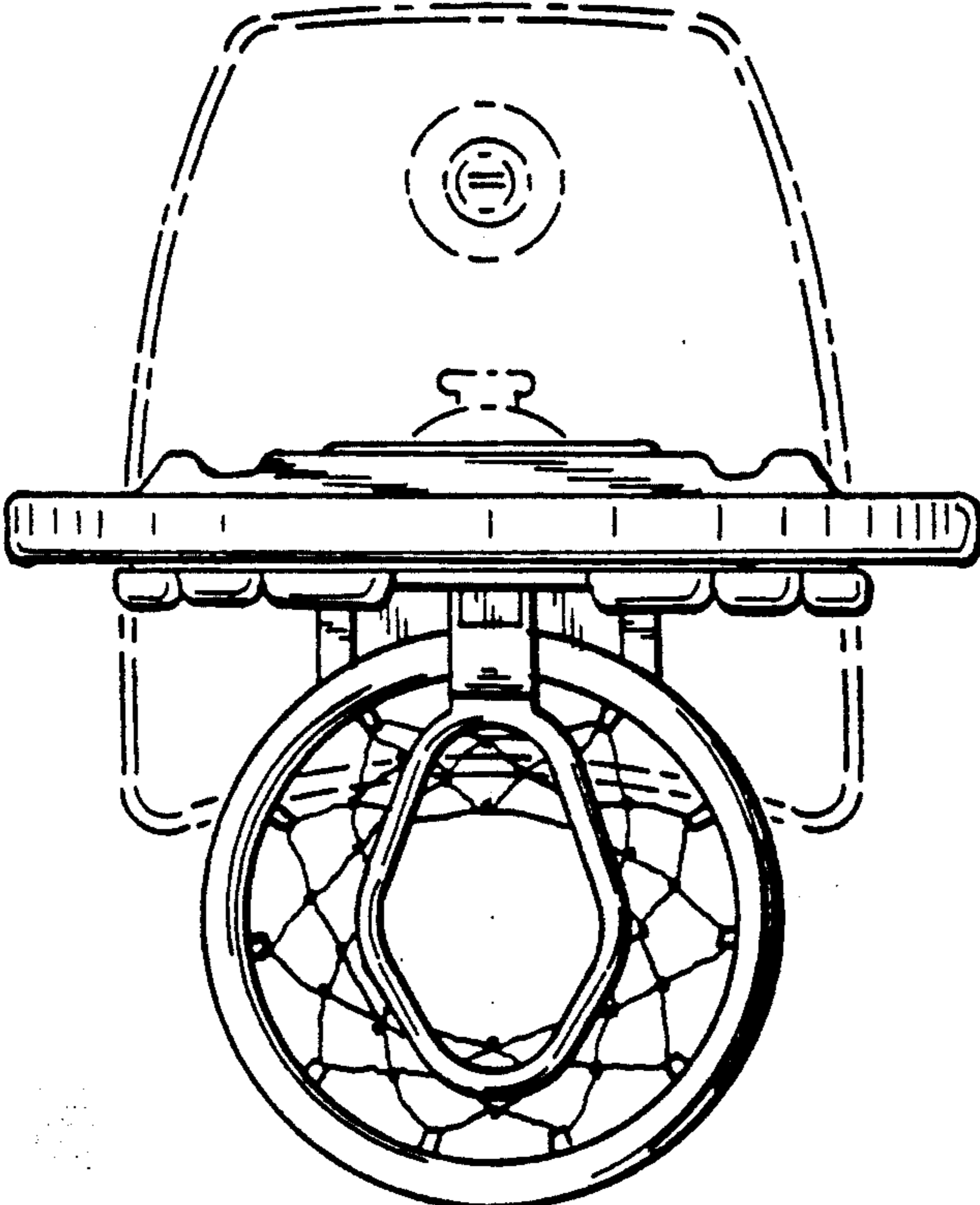


FIG. 4

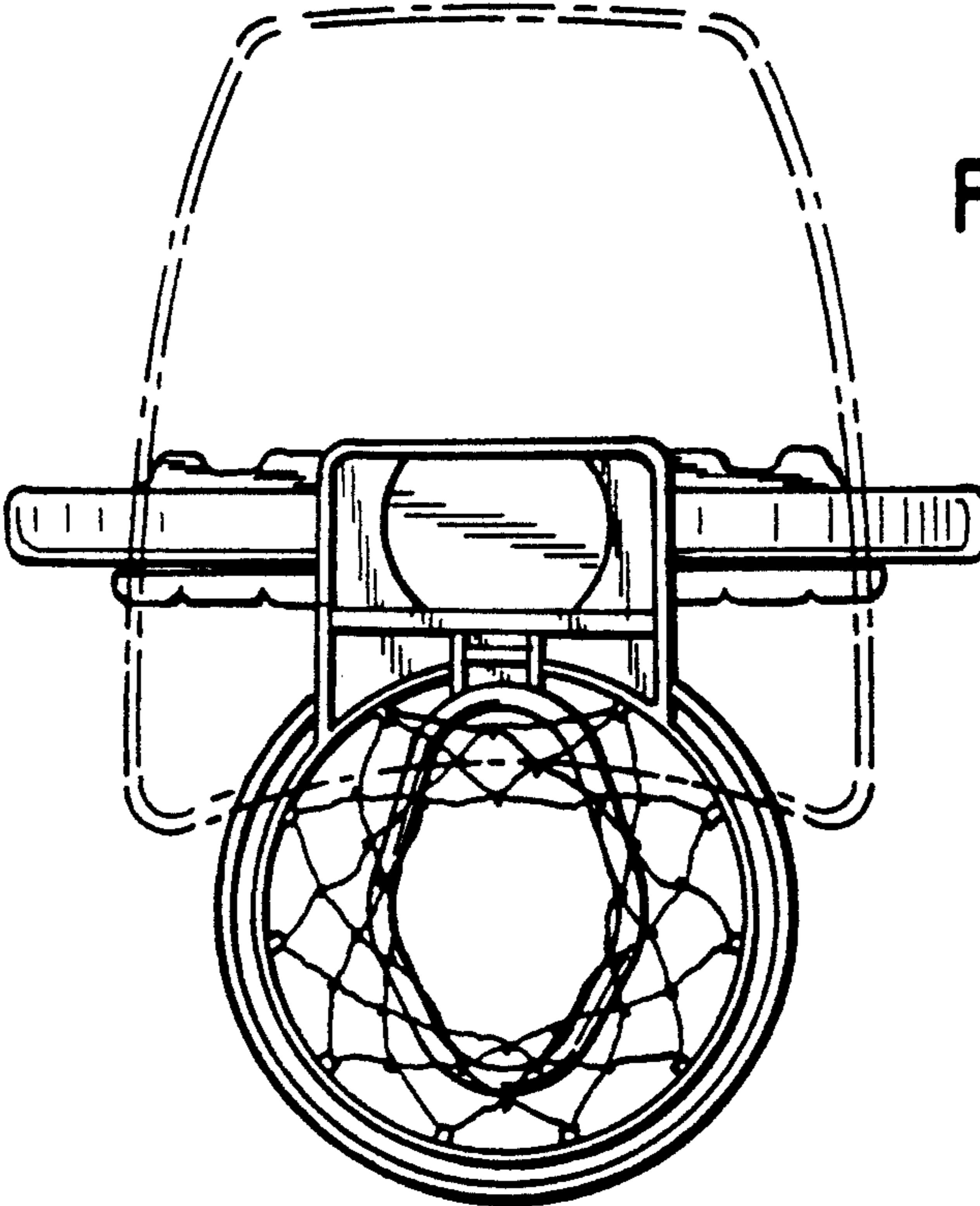


FIG. 5

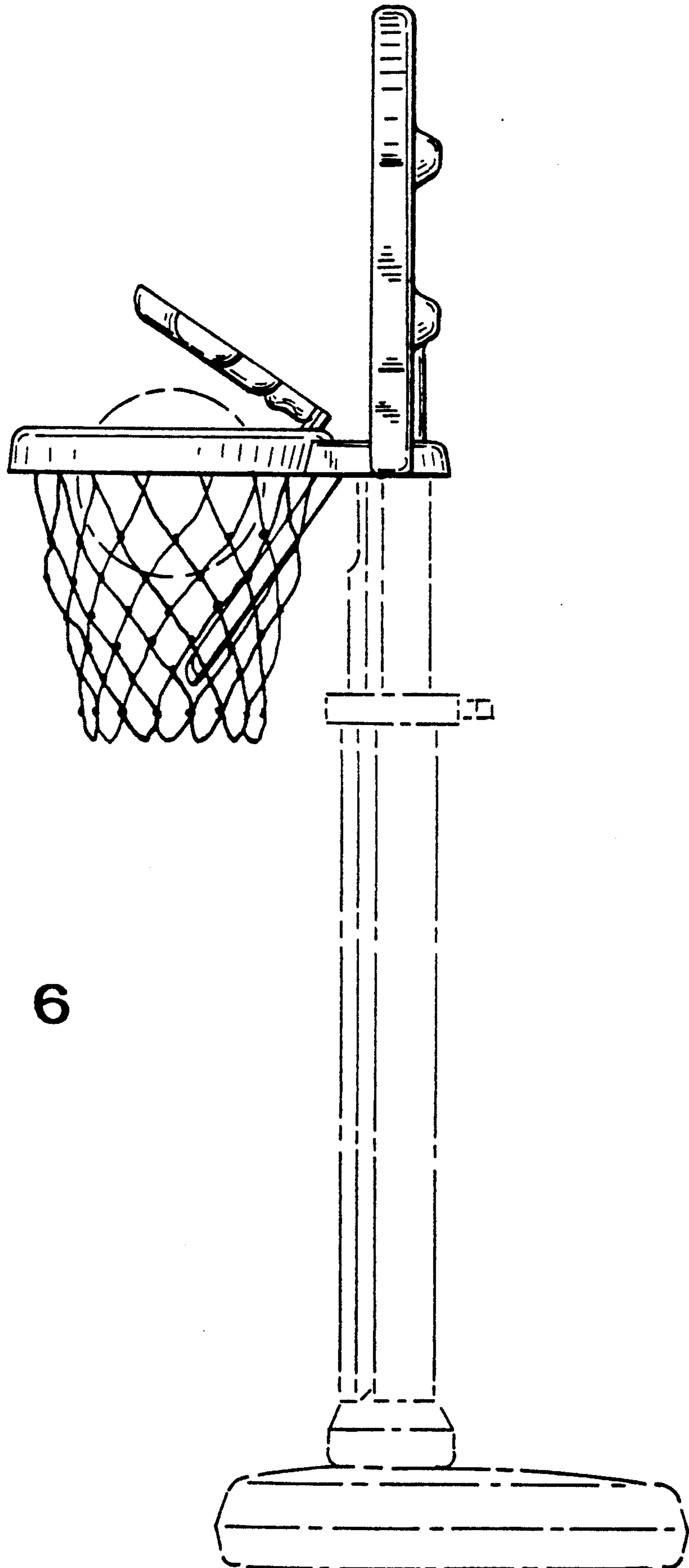


FIG. 6