



US00D336498S

# United States Patent [19]

[11] Patent Number: **Des. 336,498**

Engel et al.

[45] Date of Patent: **\*\* Jun. 15, 1993**

[54] **BACK THERAPY APPARATUS**

[75] Inventors: **Timothy S. Engel**, Mound, Minn.;  
**Dennis J. Colonello**, Studio City,  
Calif.; **Weston L. Cutter**, Mendota  
Heights; **Stephen S. Peterson**, Maple  
Grove, both of Minn.

[73] Assignee: **NordicTrack, Inc.**, Chaska, Minn.

[\*\*] Term: **14 Years**

[21] Appl. No.: **735,453**

[22] Filed: **Jul. 25, 1991**

[52] U.S. Cl. .... **D21/191**

[58] Field of Search ..... **D21/191; 606/242;**  
**482/130, 142, 137**

[56] **References Cited**

**U.S. PATENT DOCUMENTS**

- D. 212,019 8/1968 Schwalder ..... D21/191
- D. 255,915 7/1980 Applegate ..... D21/191

- D. 280,922 10/1985 Sieder ..... D21/191
- D. 288,459 2/1987 Lee ..... D21/191
- D. 320,824 10/1991 Cordon ..... D21/191
- 4,611,806 9/1986 Terry ..... D21/191
- 4,623,144 11/1986 Rockwell ..... 482/137

*Primary Examiner*—Bernard Ansher

*Assistant Examiner*—P. Hyder

[57] **CLAIM**

The ornamental design for back therapy apparatus, as shown.

**DESCRIPTION**

FIG. 1 is a perspective view of a back therapy apparatus showing our new design;  
 FIG. 2 is a right side elevational view thereof;  
 FIG. 3 is a left side elevational view thereof;  
 FIG. 4 is a rear elevational view thereof;  
 FIG. 5 is a front elevational view thereof;  
 FIG. 6 is a top plan view thereof; and,  
 FIG. 7 is a bottom plan view thereof.

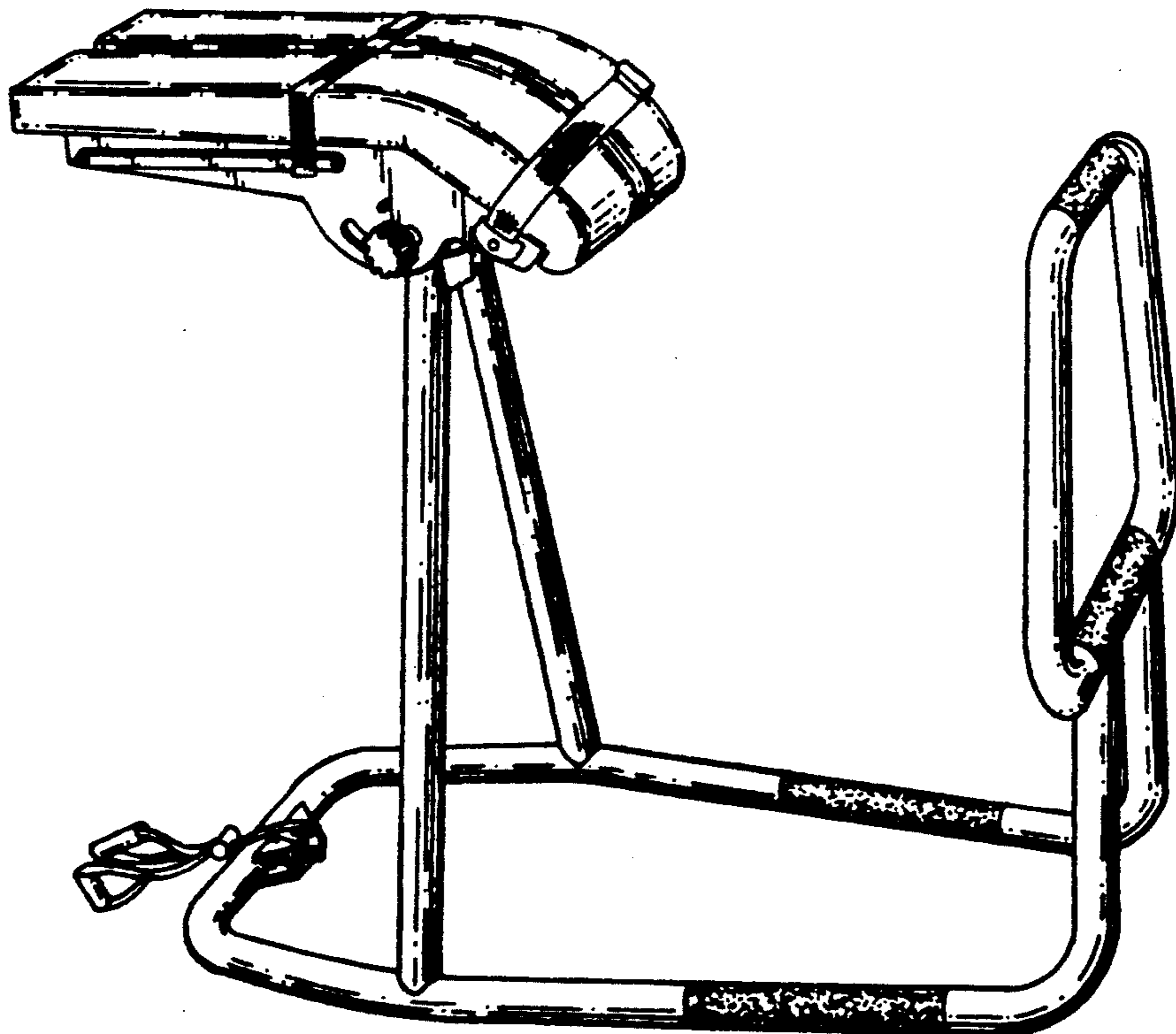
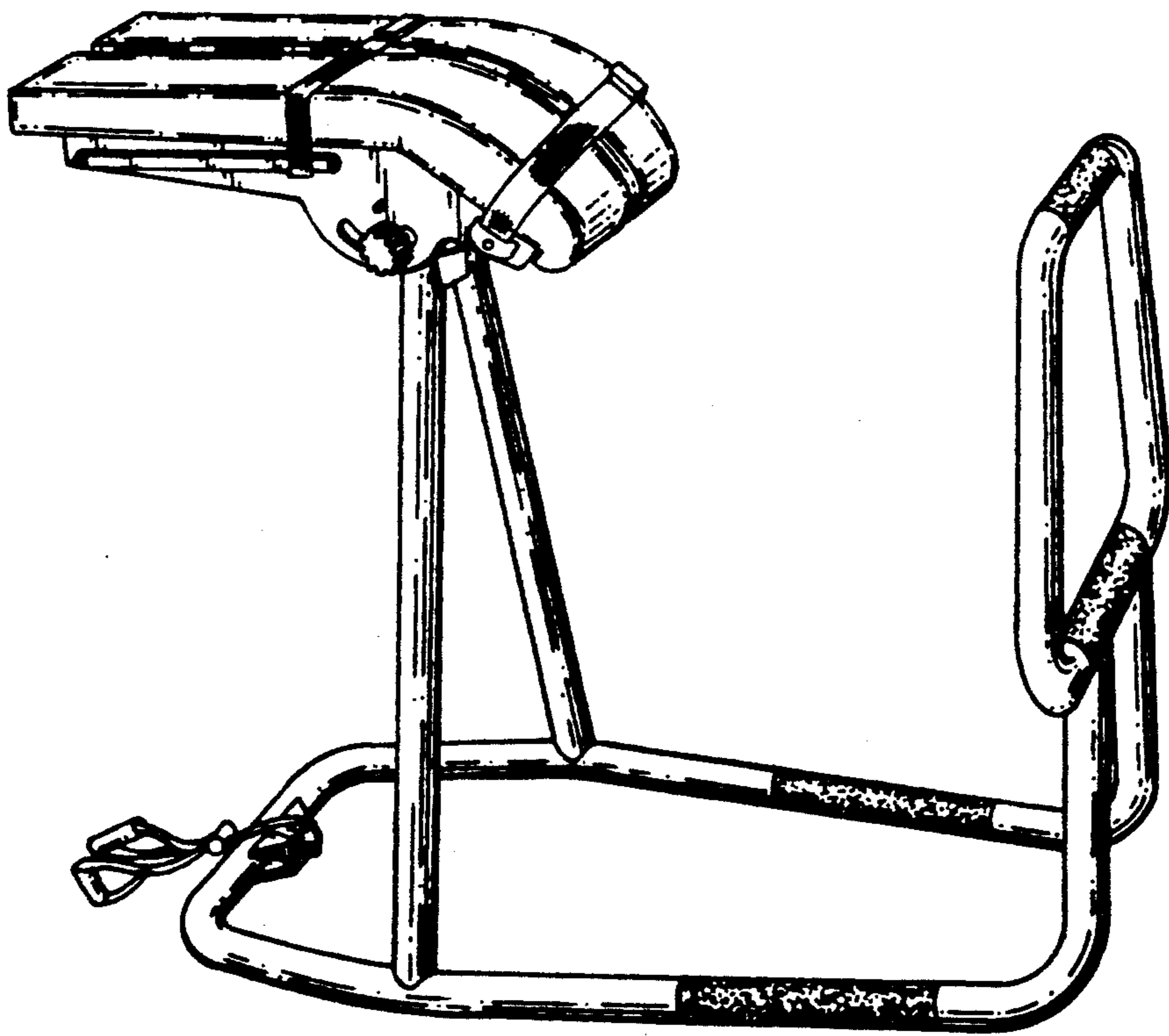


FIG. 1



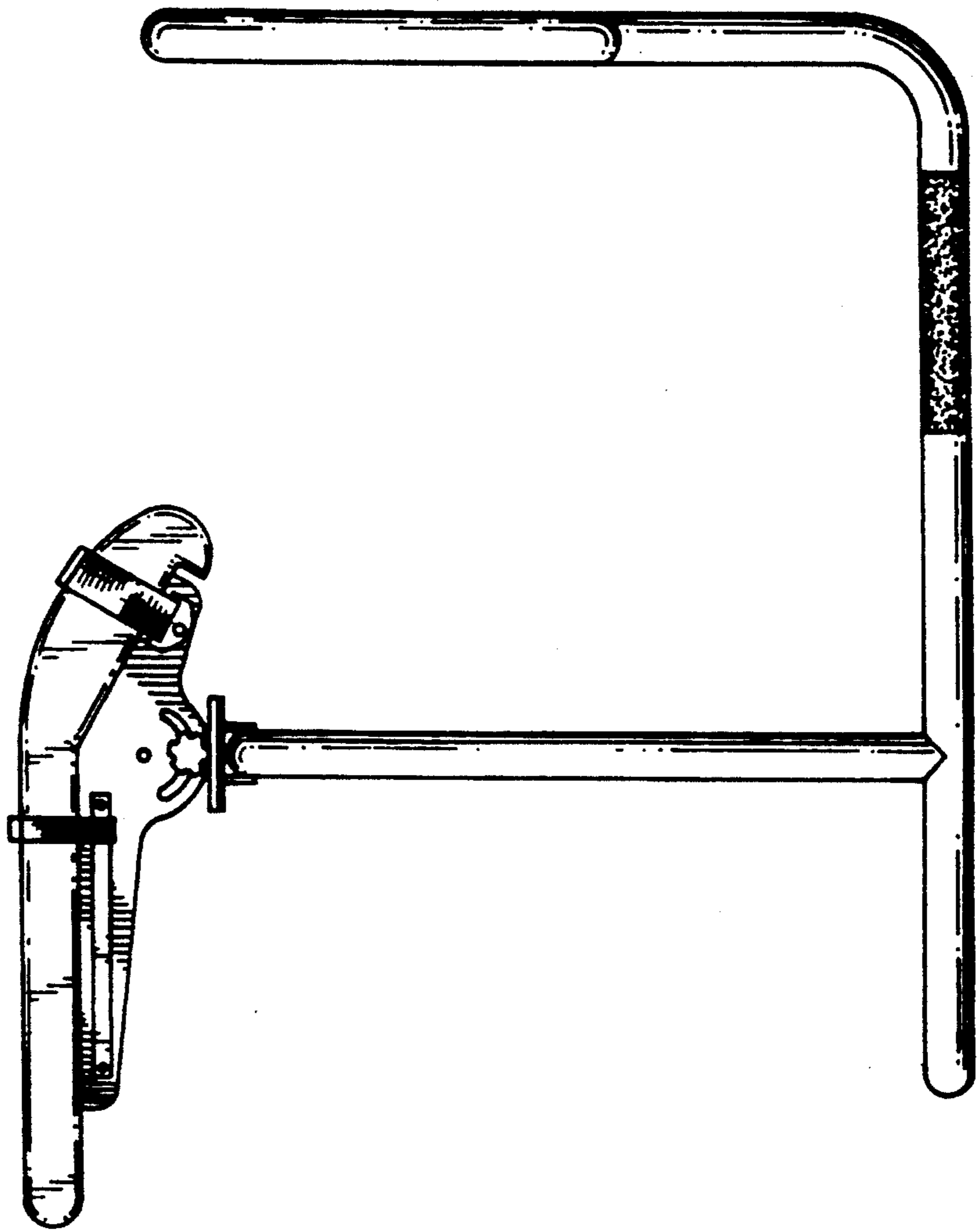


FIG. 2

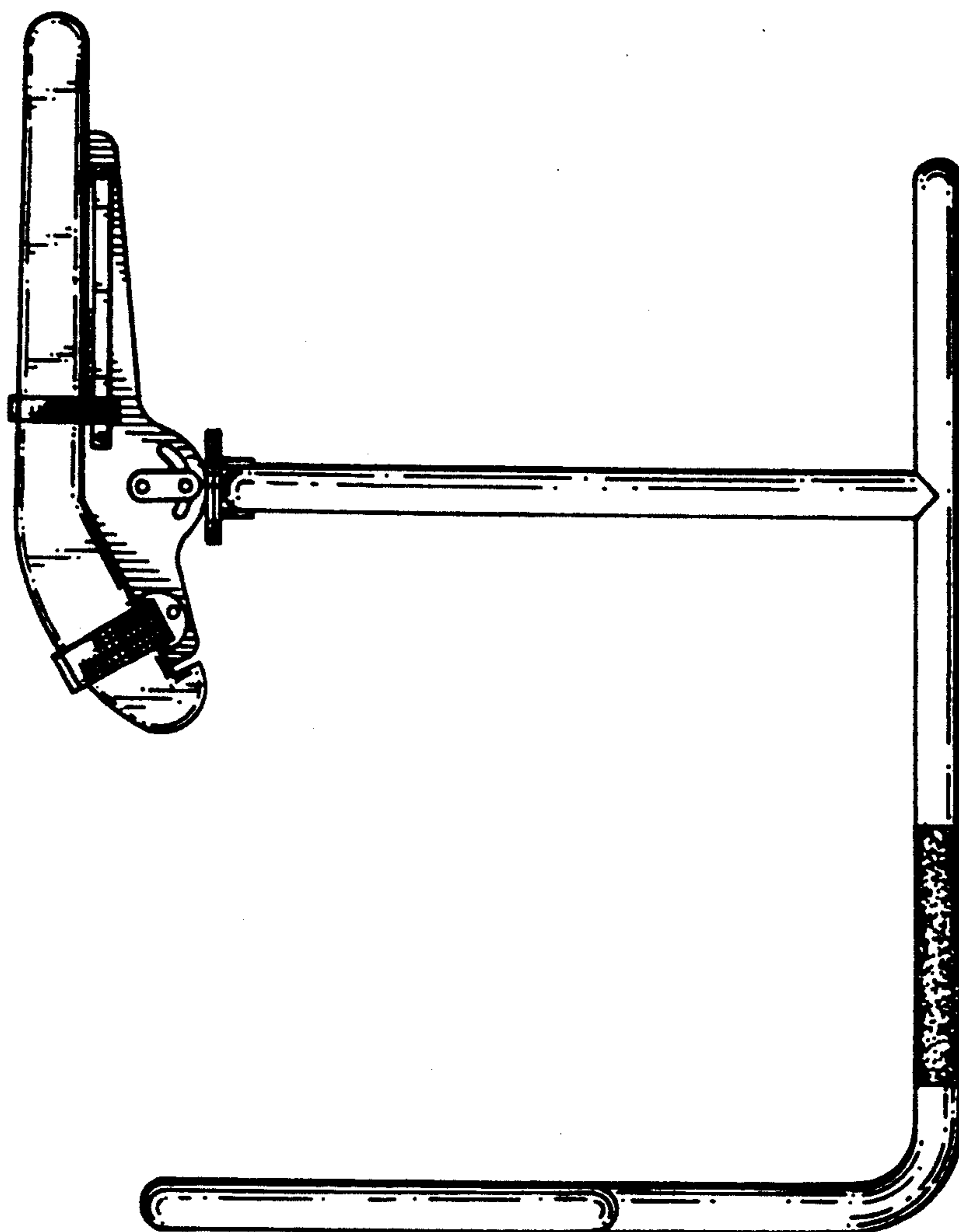


FIG. 3

FIG. 5

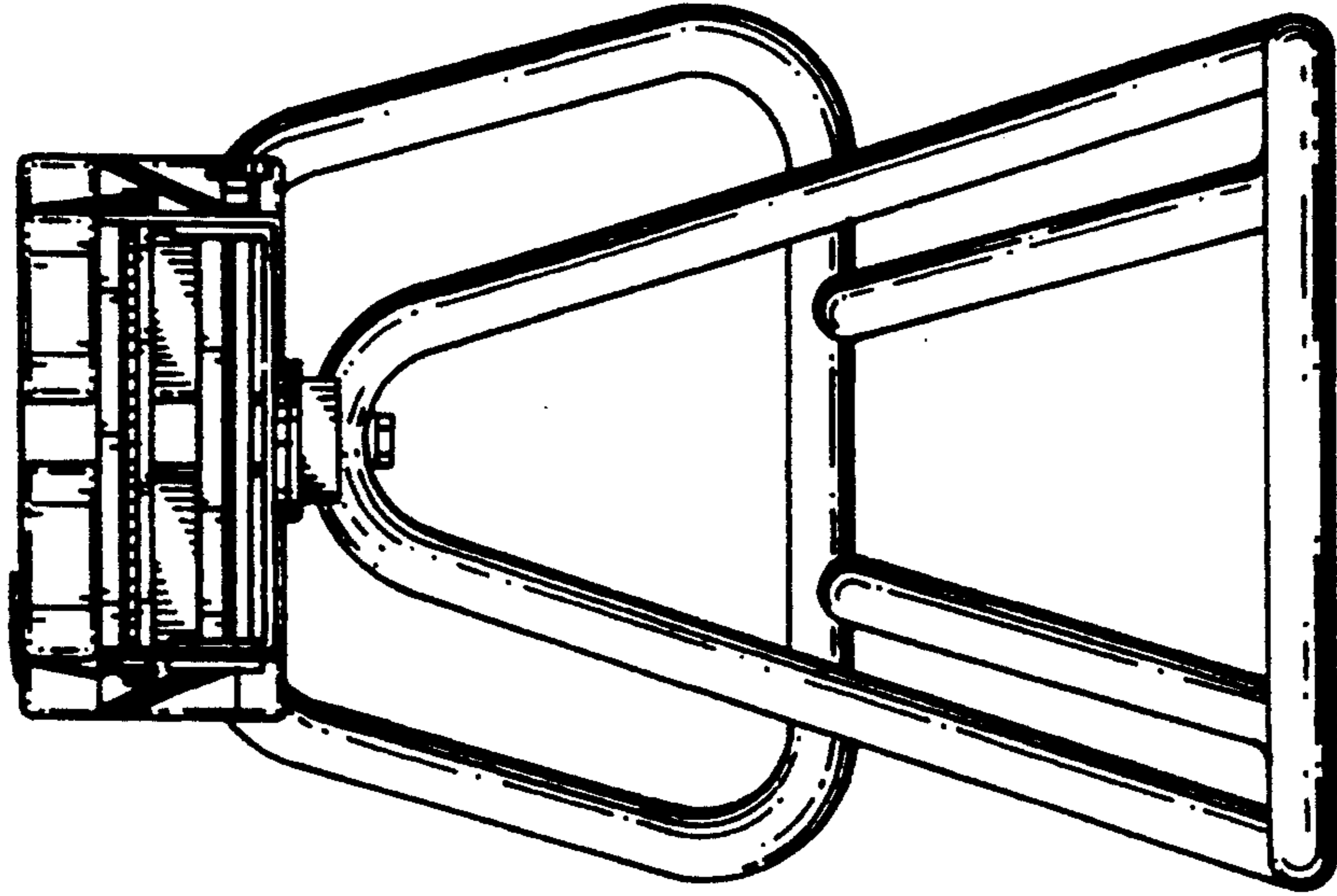


FIG. 4

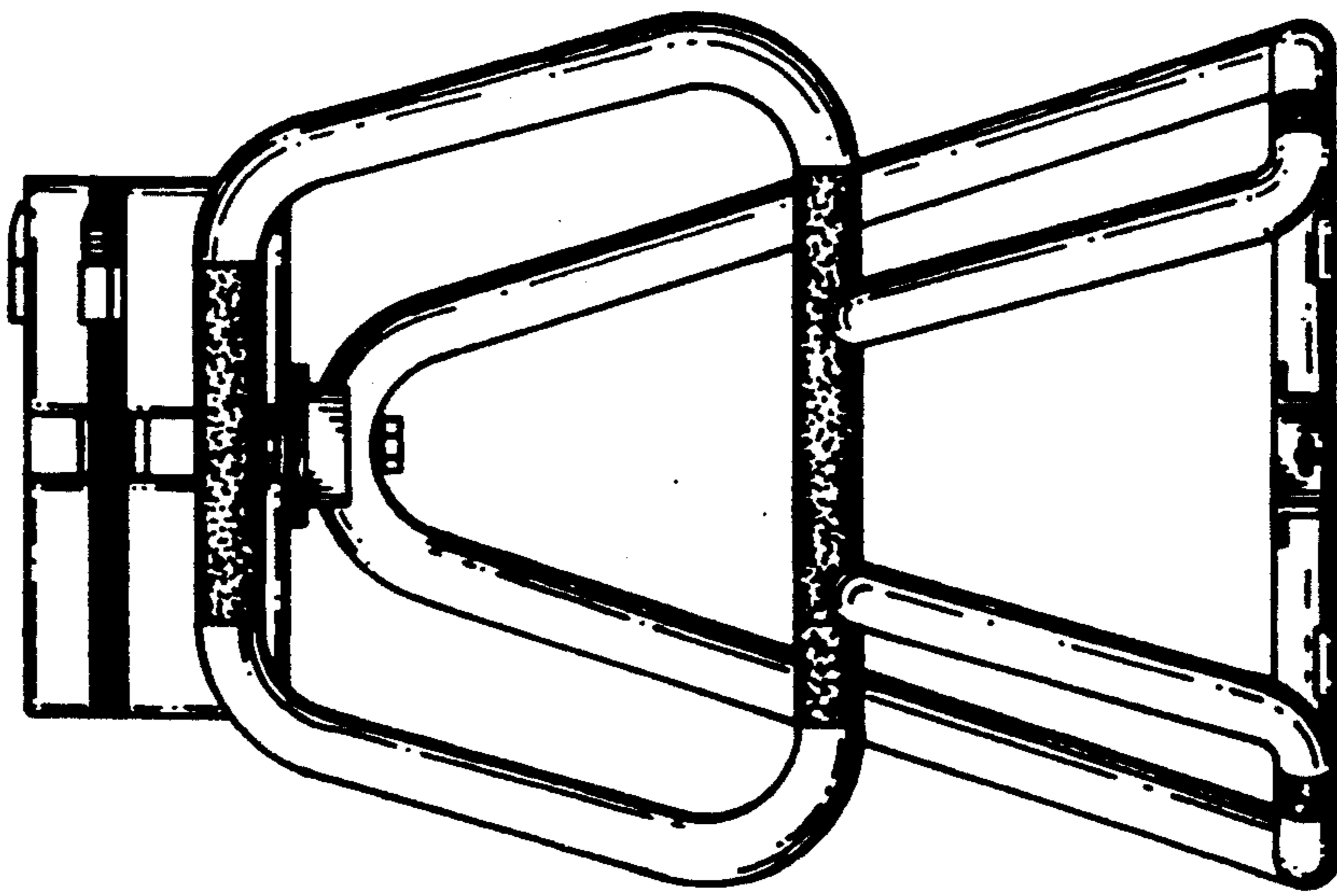


FIG. 6

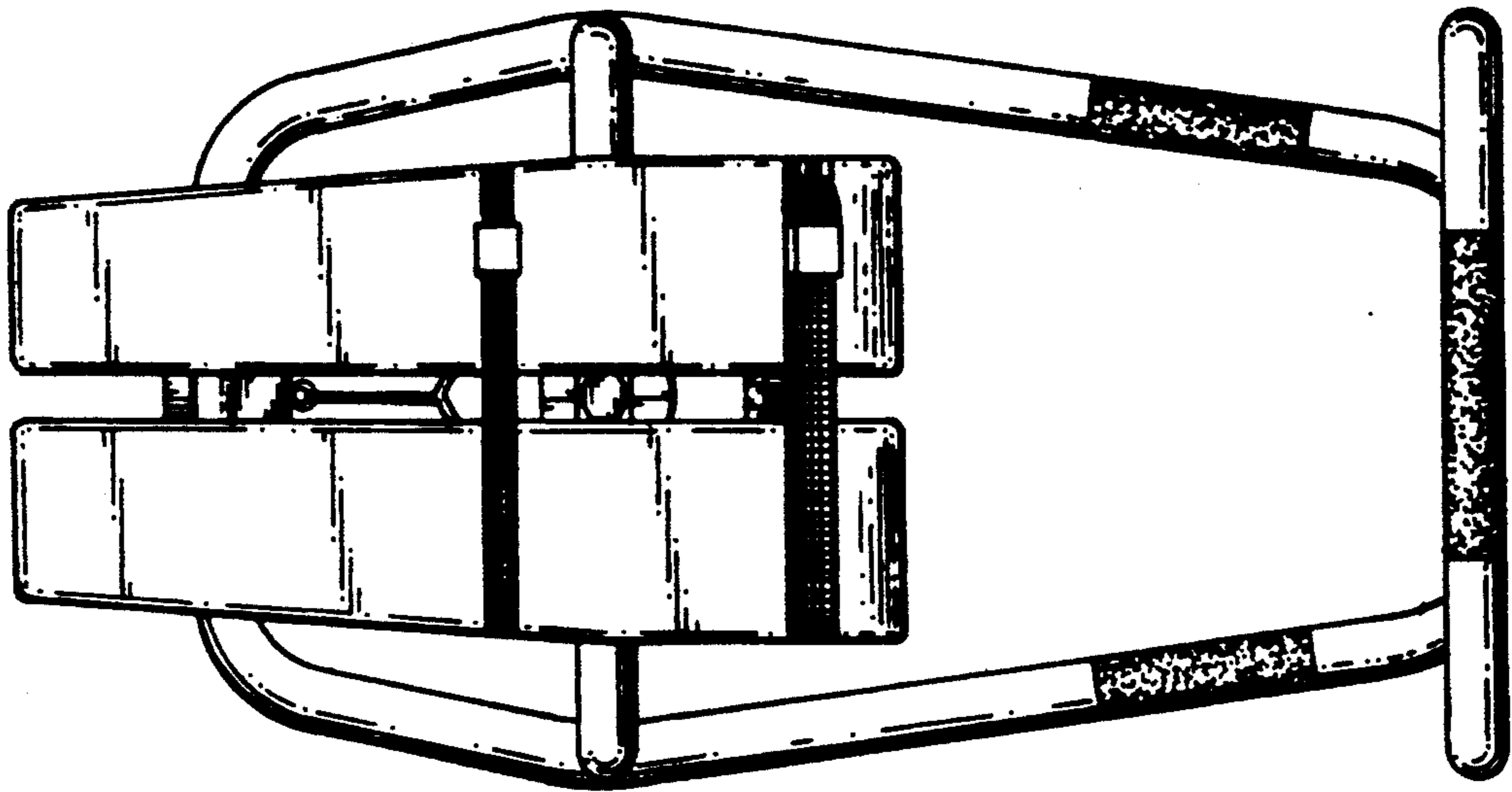


FIG. 7

