



US00D336488S

# United States Patent [19]

[11] Patent Number: **Des. 336,488**

Grey

[45] Date of Patent: **\*\* Jun. 15, 1993**

[54] **TAMBOURINE**

[76] Inventor: **Robert G. Grey, 49 Cotton Avenue, Scarborough, Ontario, Canada, M1K 1Z5**

D. 259,047	4/1981	Taninbaum	.....	D17/22
D. 268,419	3/1983	Taninbaum	.....	D17/22
D. 306,608	3/1990	Wang	.....	D17/22
3,779,126	12/1973	Hoey	.....	84/418

[\*\*] Term: **14 Years**

### FOREIGN PATENT DOCUMENTS

[21] Appl. No.: **649,921**

WO87/01497 3/1987 PCT Int'l Appl. .... 84/418

[22] Filed: **Feb. 13, 1991**

*Primary Examiner*—Bernard Ansher  
*Assistant Examiner*—Adir Aronovich  
*Attorney, Agent, or Firm*—Ridout & Maybee

[52] U.S. Cl. .... **D17/22**

[58] Field of Search ..... **D17/22, 29; D21/64; 84/402, 418-420**

### [57] CLAIM

The ornamental design for a tambourine, as shown.

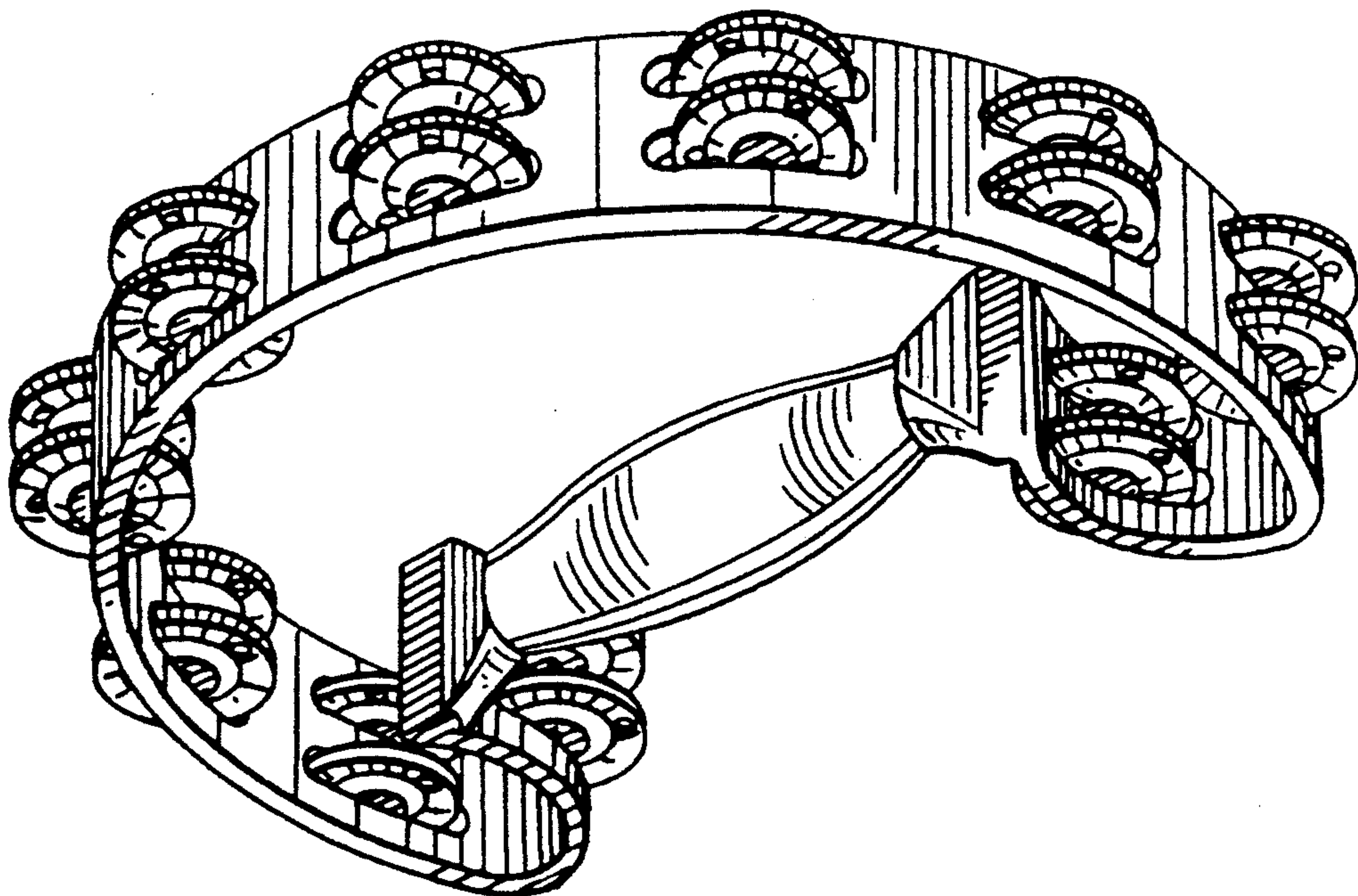
### [56] References Cited

#### U.S. PATENT DOCUMENTS

D. 231,797 6/1974 Hoey ..... D17/22

### DESCRIPTION

FIG. 1 is a rear perspective view of a tambourine showing my new design; and, FIG. 2 is a front perspective view thereof.



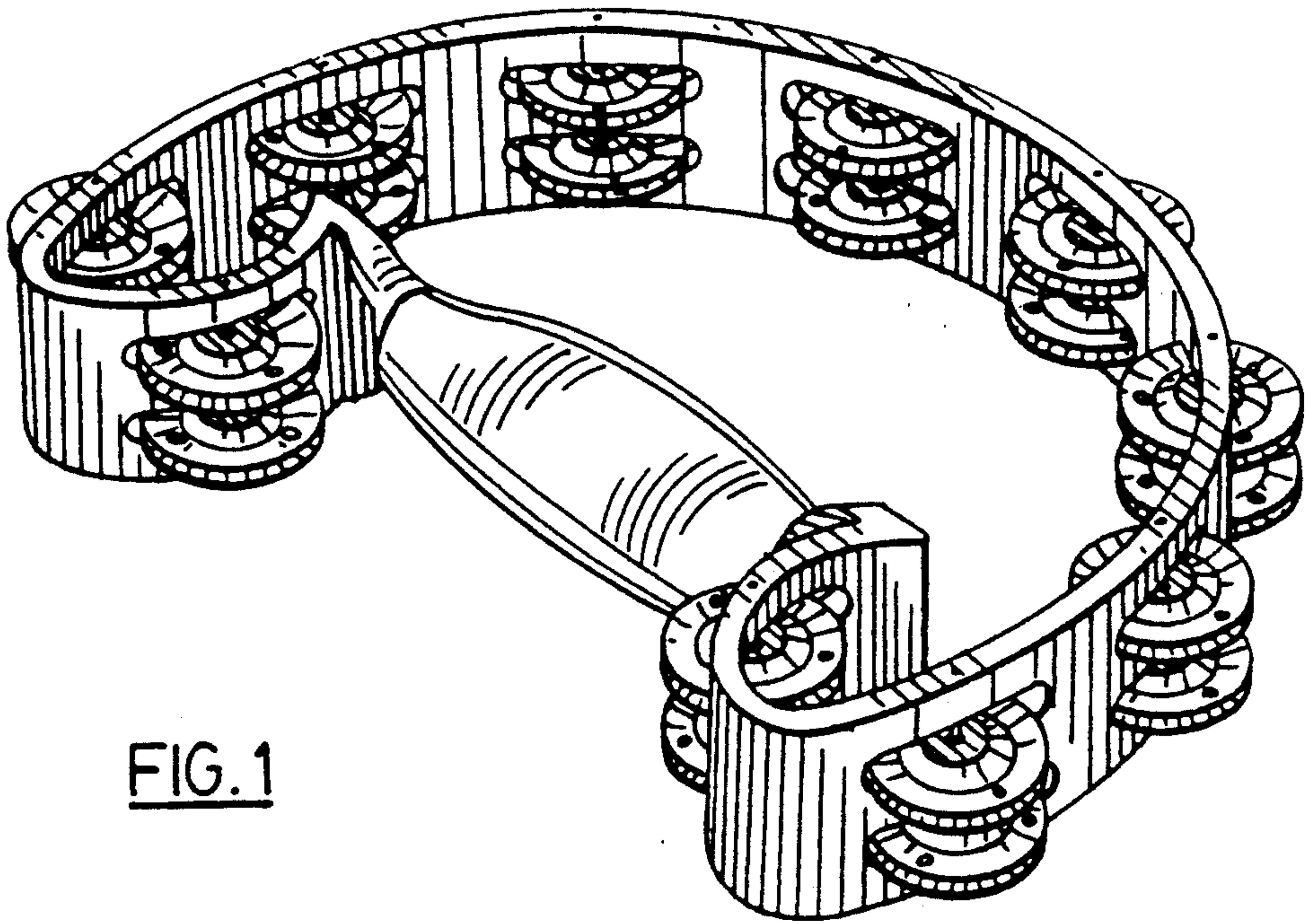


FIG. 1

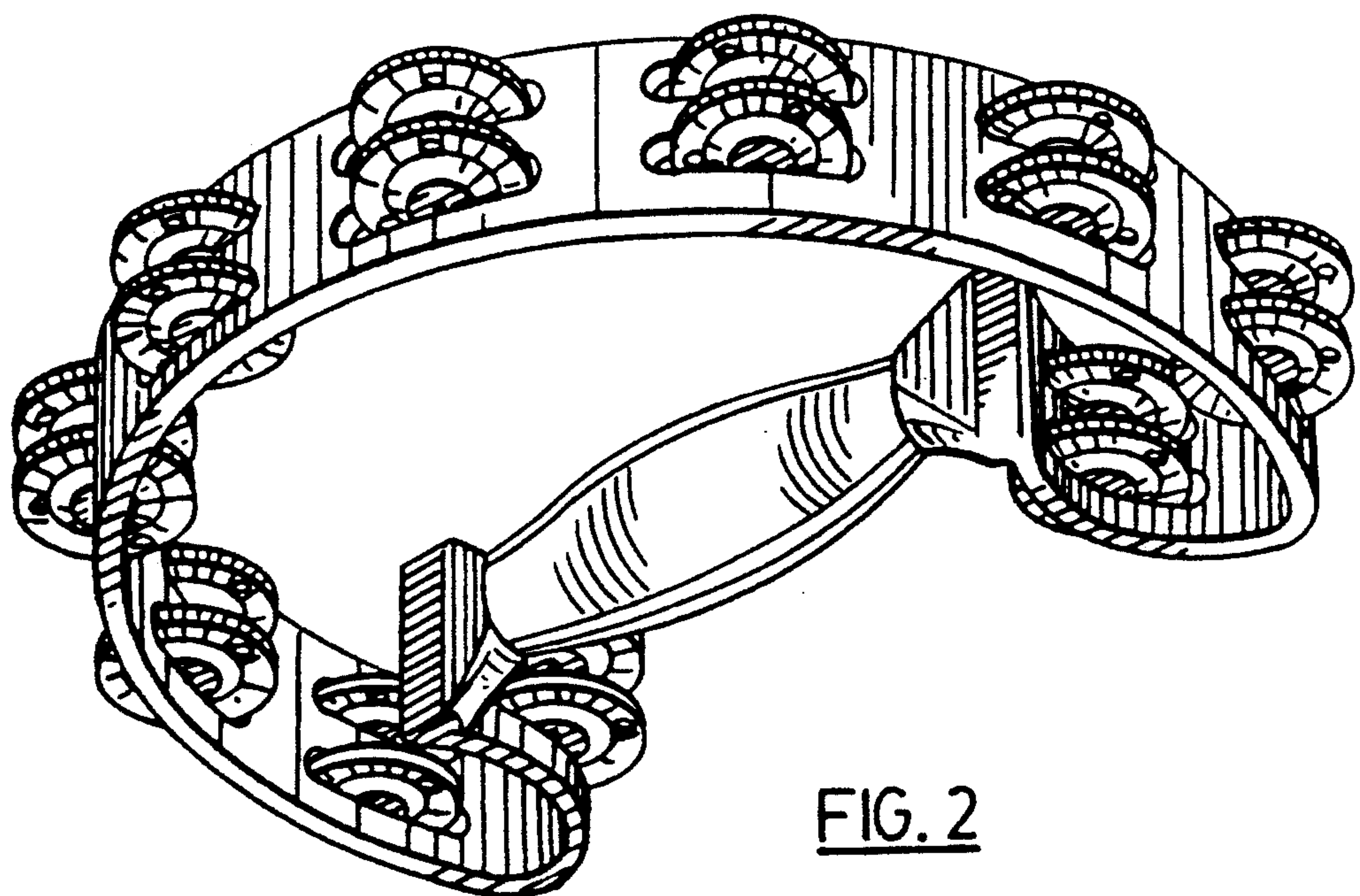


FIG. 2