



US00D336485S

United States Patent [19] Finley

[11] Patent Number: **Des. 336,485**
[45] Date of Patent: **** Jun. 15, 1993**

[54] CONTAINER FOR INSTANT PICTURES

4,354,596 10/1982 Lavery 206/45.34
4,415,079 11/1983 Ackeret 206/45.34

[76] Inventor: **James Finley, 54 Oswegatchie Rd.,
Waterford, Conn. 06385**

OTHER PUBLICATIONS

Symbol Source Book, 1972 p. 224.

[**] Term: **14 Years**

Primary Examiner—Bernard Ansher
Assistant Examiner—Adir Aronovich
Attorney, Agent, or Firm—Terry M. Gernstein

[21] Appl. No.: **504,987**

[22] Filed: **Apr. 4, 1990**

[52] U.S. Cl. **D16/237; D9/420**

[58] Field of Search **D9/420, 307, 331;
D16/219, 237, 250; D5/5, 8; 206/45.34, 455;
354/89, 276**

[57] CLAIM

The ornamental design for a container for instant pictures, as shown and described.

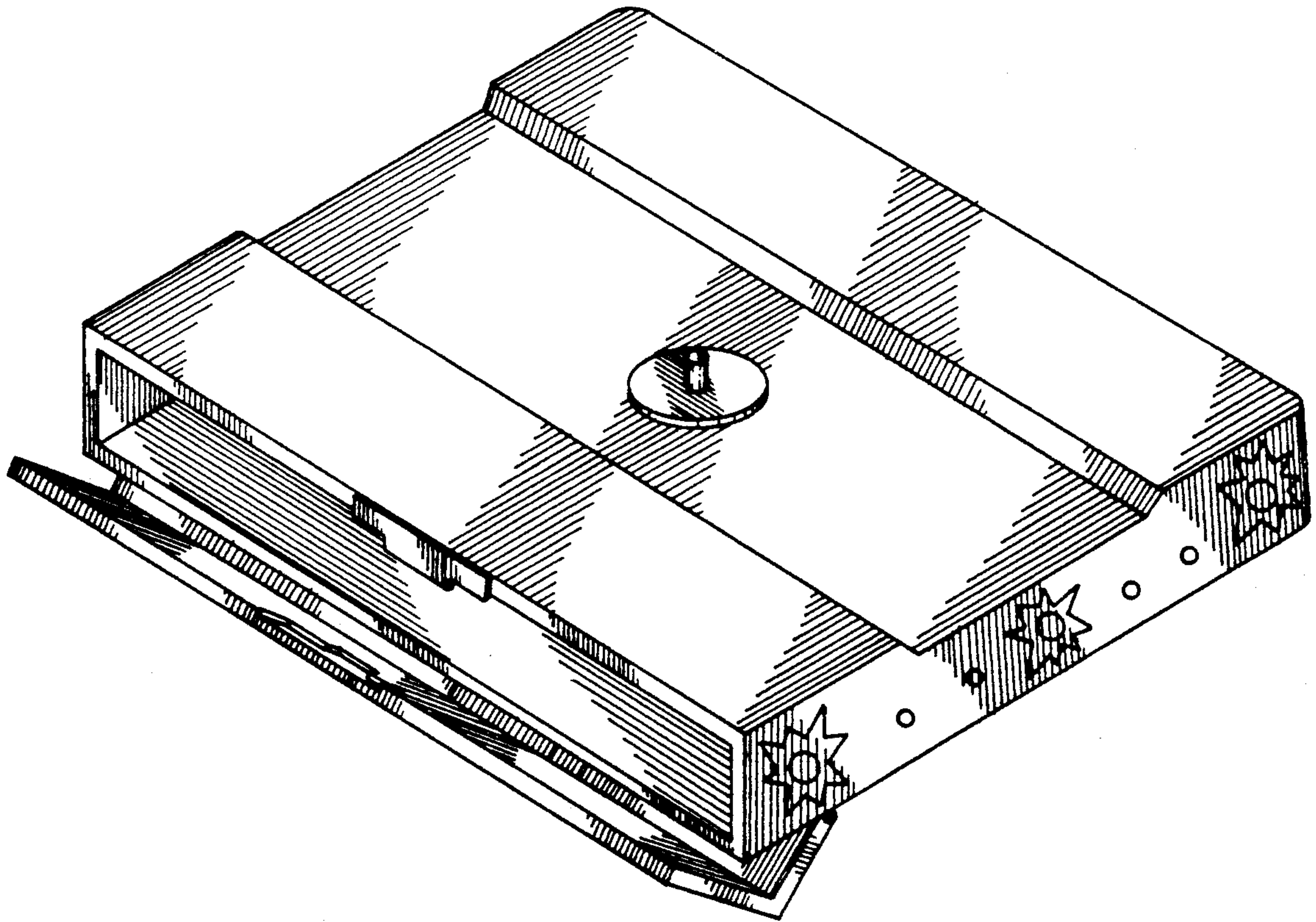
DESCRIPTION

[56] References Cited

U.S. PATENT DOCUMENTS

D. 149,813	6/1948	Hollis	D9/331
D. 279,683	7/1985	Olsen	D16/219
3,607,279	9/1971	Gold	354/276
4,141,162	2/1979	Mascolo	40/536
4,195,729	4/1980	Macken	206/45.34
4,226,519	10/1980	Gervais et al.	354/276

FIG. 1 is a perspective view of a container for instant pictures showing my new design;
FIG. 2 is a side elevational view thereof, the side opposite being a mirror image of the side shown in FIG. 2;
FIG. 3 is a rear end elevational view thereof;
FIG. 4 is a front elevational view thereof;
FIG. 5 is a top plan view thereof; and,
FIG. 6 is a bottom plan view thereof.



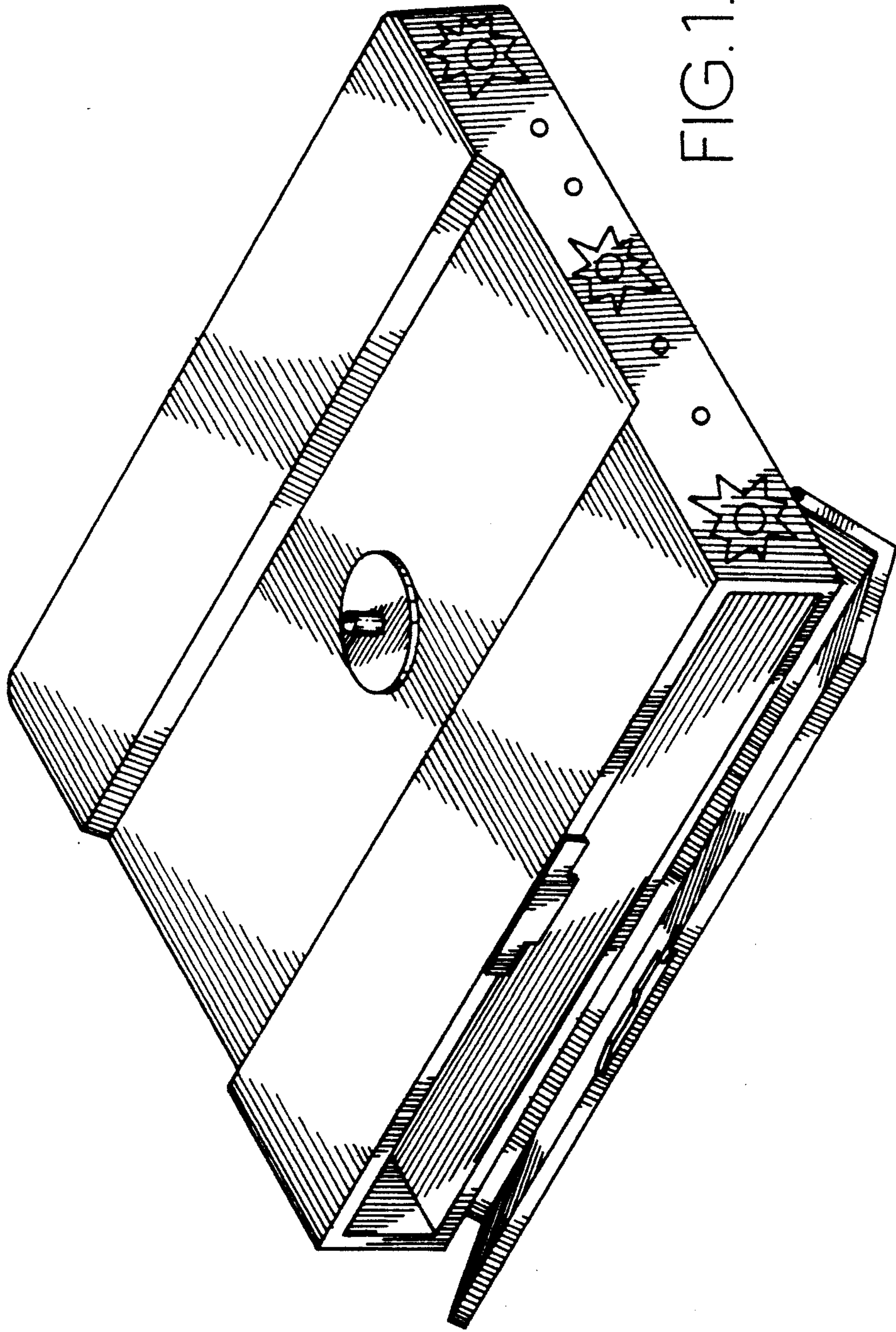


FIG. 1.

FIG. 2.

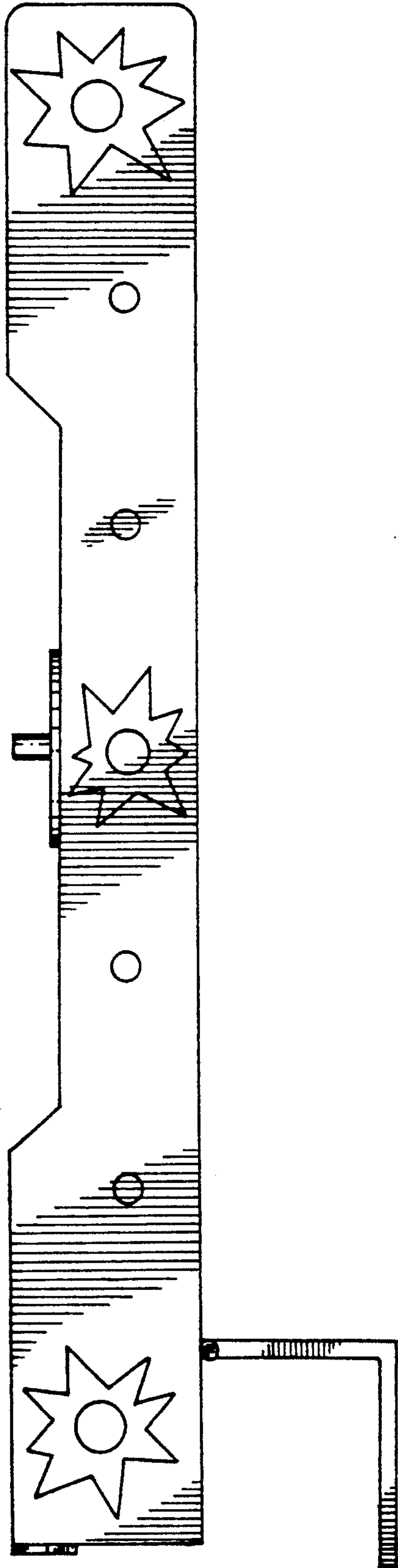
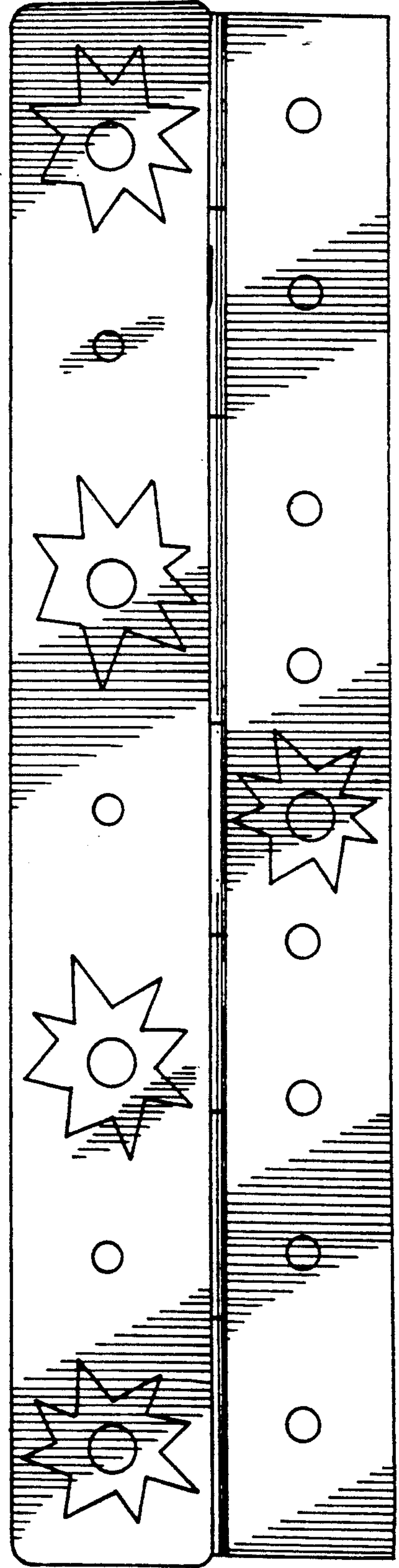


FIG. 3.



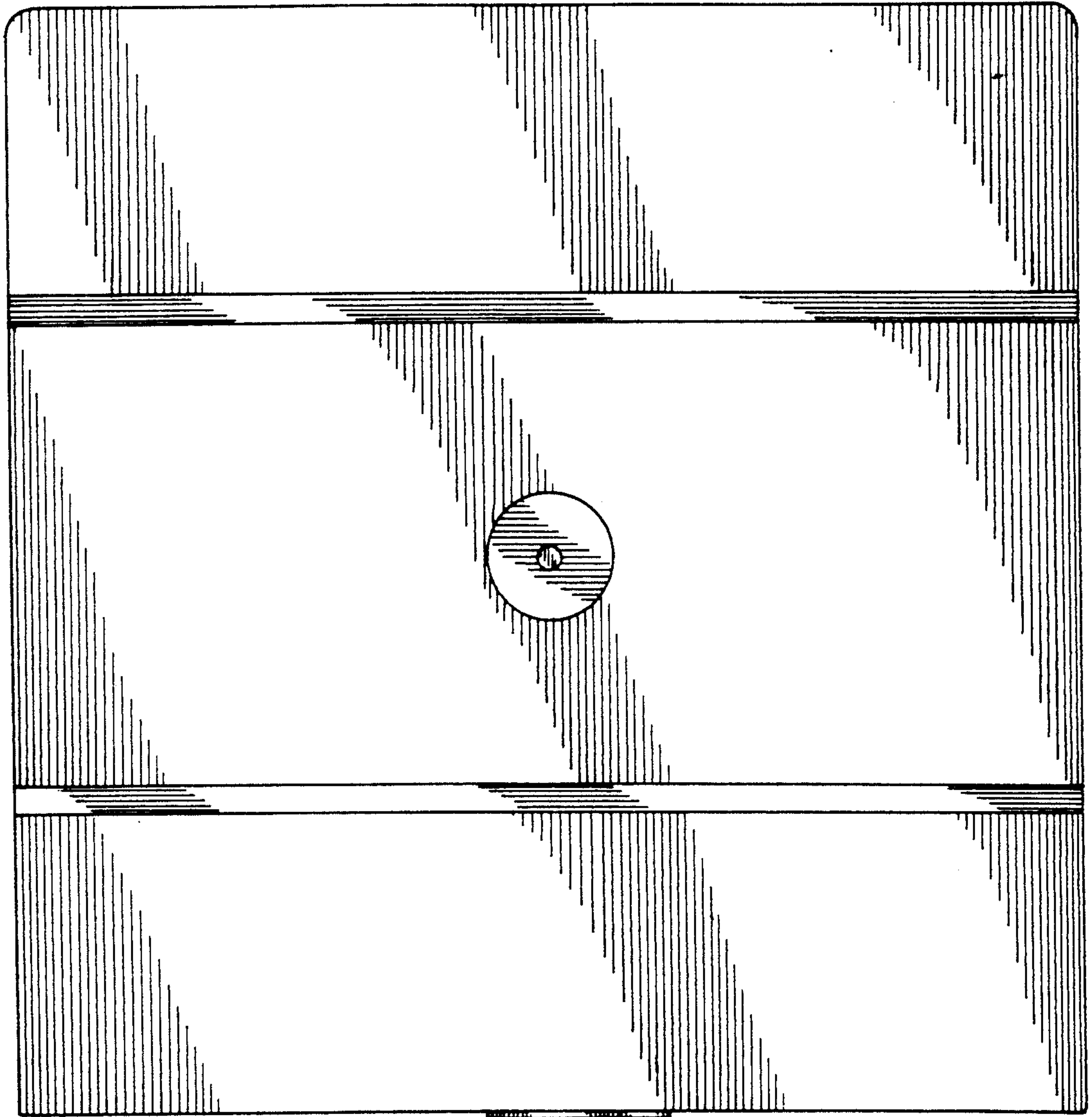


FIG. 5.

FIG. 4.

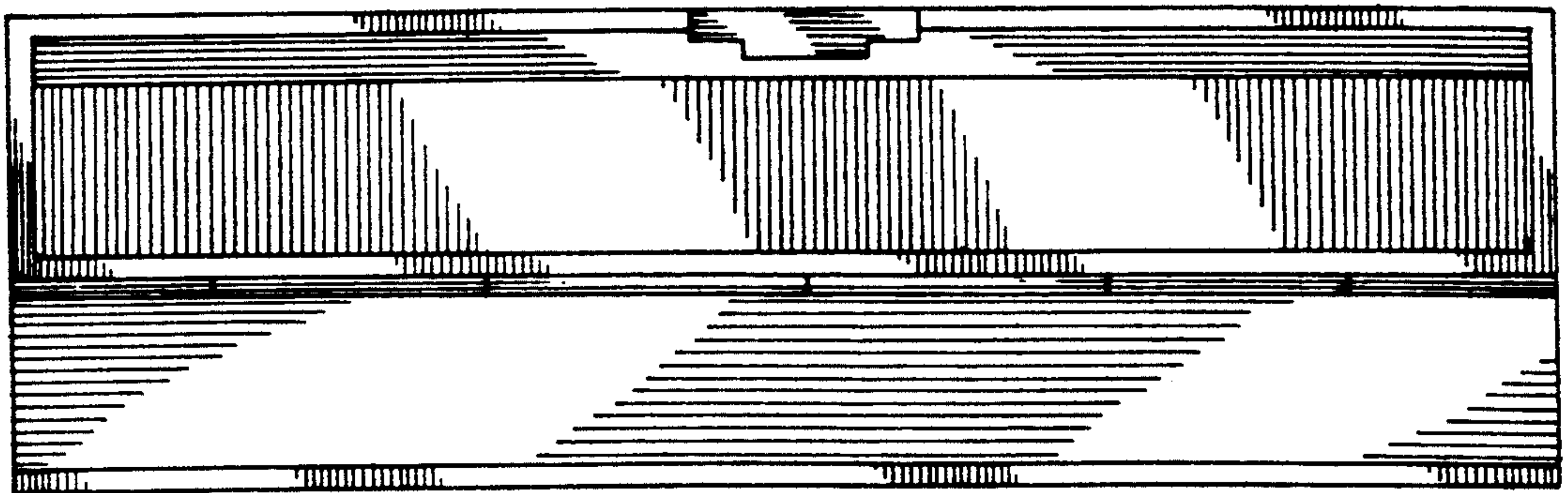


FIG. 6.

