



US00D336482S

# United States Patent [19]

[11] Patent Number: **Des. 336,482**

Graham

[45] Date of Patent: **\*\* Jun. 15, 1993**

[54] **RADIAL ARM SAW - ROUTER ADAPTER**

3,588,019 6/1971 Cozeck ..... D8/364 X  
4,947,910 8/1990 Reneau ..... 409/182 X

[76] Inventor: **John L. Graham**, 63 W. Main St.,  
Richmondville, N.Y. 12149

*Primary Examiner*—Alan P. Douglas  
*Assistant Examiner*—Antoine D. Davis  
*Attorney, Agent, or Firm*—Schmeiser, Morelle & Watts

[\*\*] Term: **14 Years**

[57] **CLAIM**

[21] Appl. No.: **760,222**

The ornamental design for a radial arm saw - router adapter, as shown.

[22] Filed: **Sep. 16, 1991**

[52] U.S. Cl. .... **D15/141; D8/380**

[58] Field of Search ..... D8/354, 364, 366, 371,  
D8/373, 380, 381, 499; D15/141, 138, 140;  
144/253 R-253 J; 266/274-279; 269/1, 97, 303;  
409/178, 175, 181, 182, 903

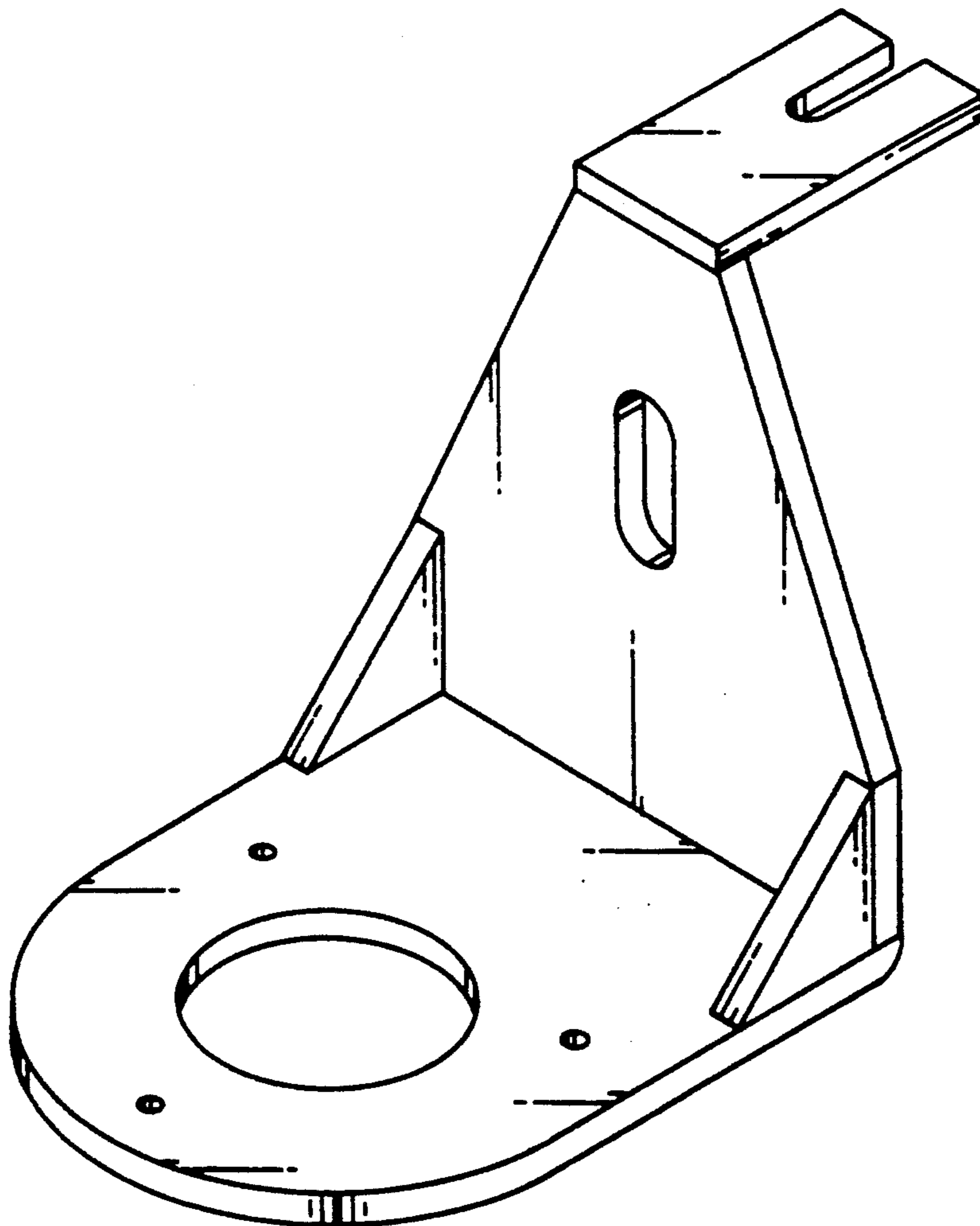
**DESCRIPTION**

FIG. 1 is an isometric illustration taken from slightly above my design;  
FIG. 2 is an isometric illustration of my design as viewed 180° from the FIG. 1 illustration;  
FIG. 3 is a top plan view of my design;  
FIG. 4 is a front elevational view of my design;  
FIG. 5 is a side elevational view of my design;  
FIG. 6 is a rear elevational view of my design; and,  
FIG. 7 is a bottom plan view of my design.

[56] **References Cited**

**U.S. PATENT DOCUMENTS**

D. 87,702 9/1932 Aufiero ..... D8/380 X  
D. 220,829 6/1971 Williams ..... D8/380  
D. 325,564 4/1992 Lemke ..... D8/354 X



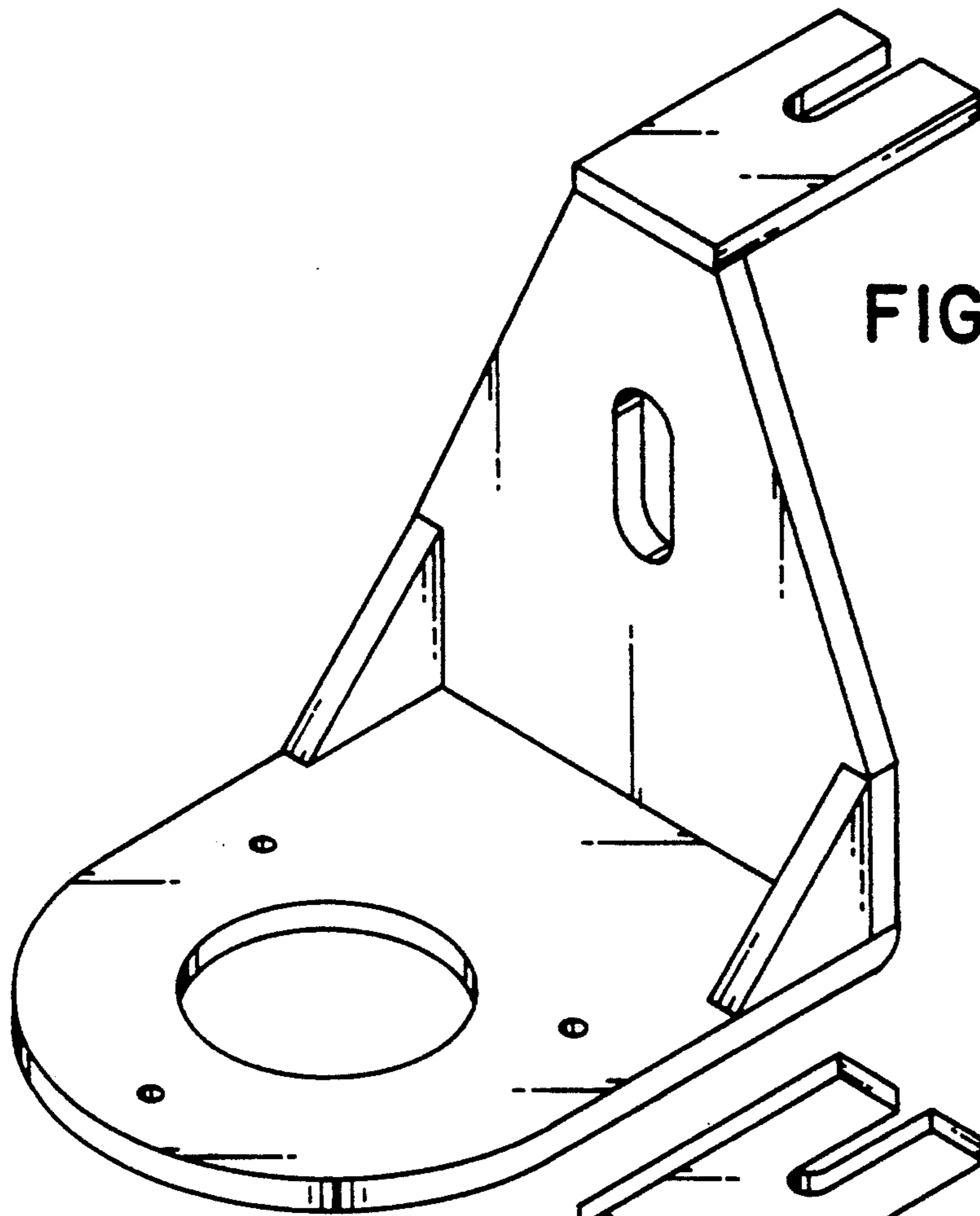


FIG. 1

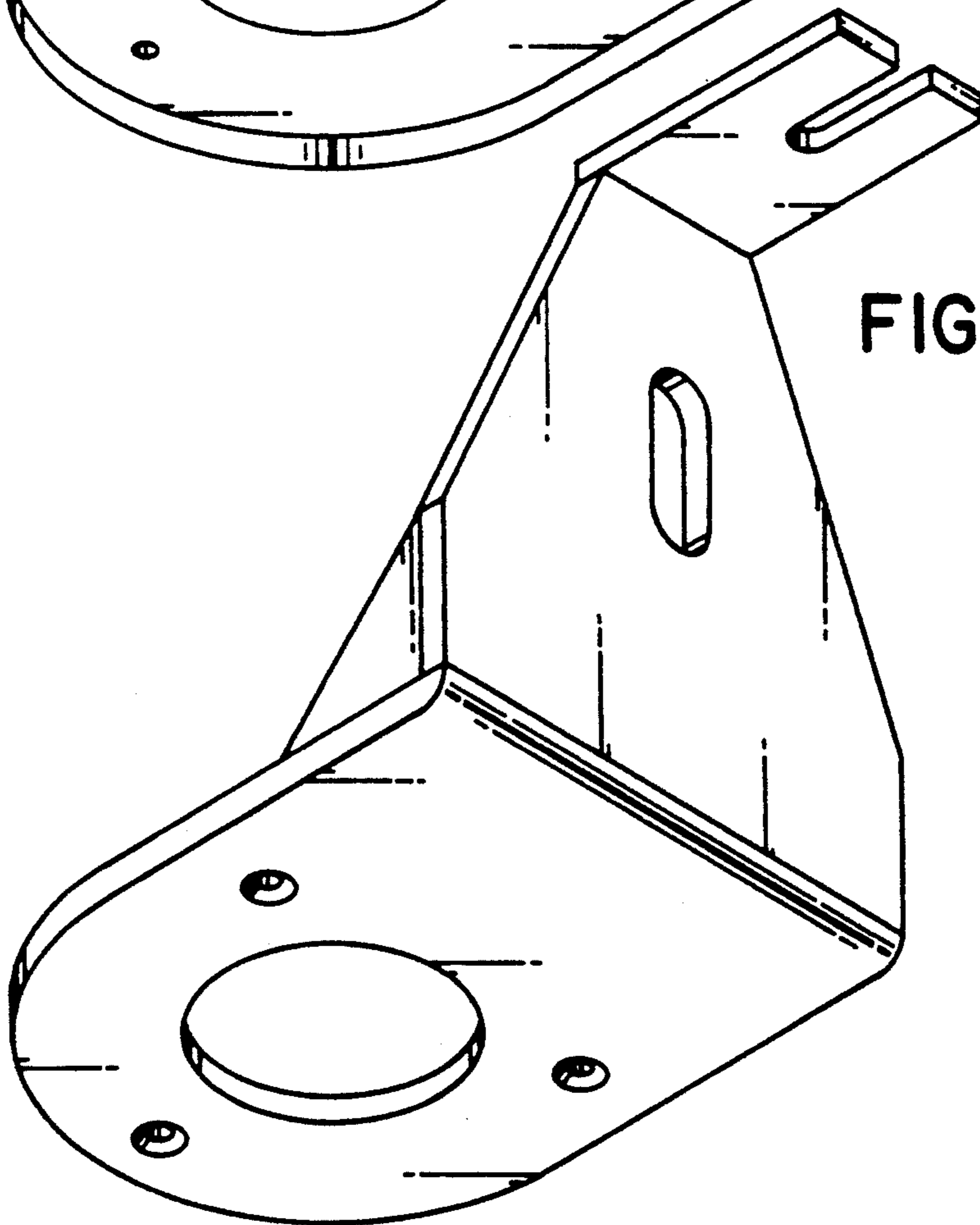


FIG. 2

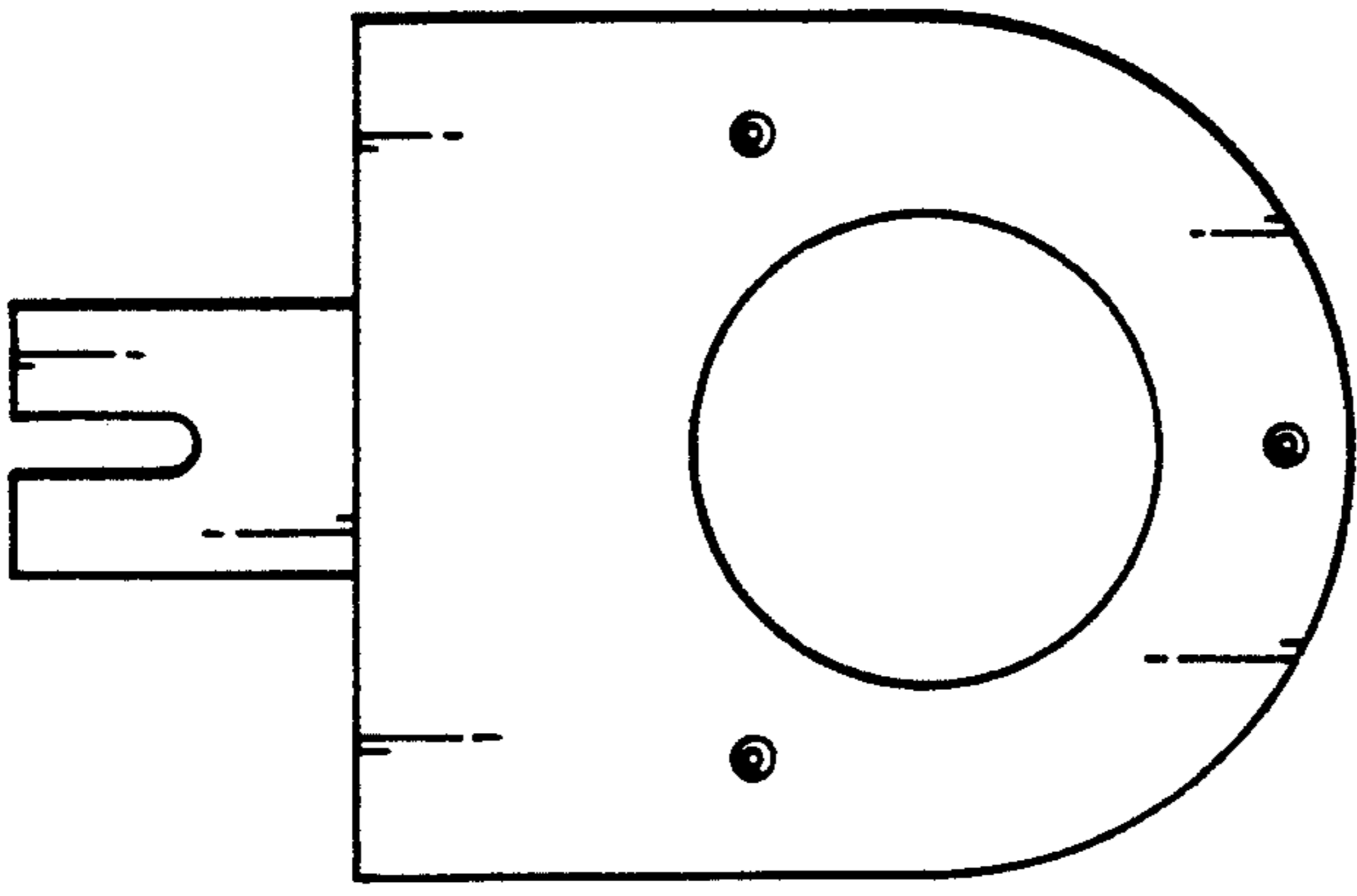


FIG. 3

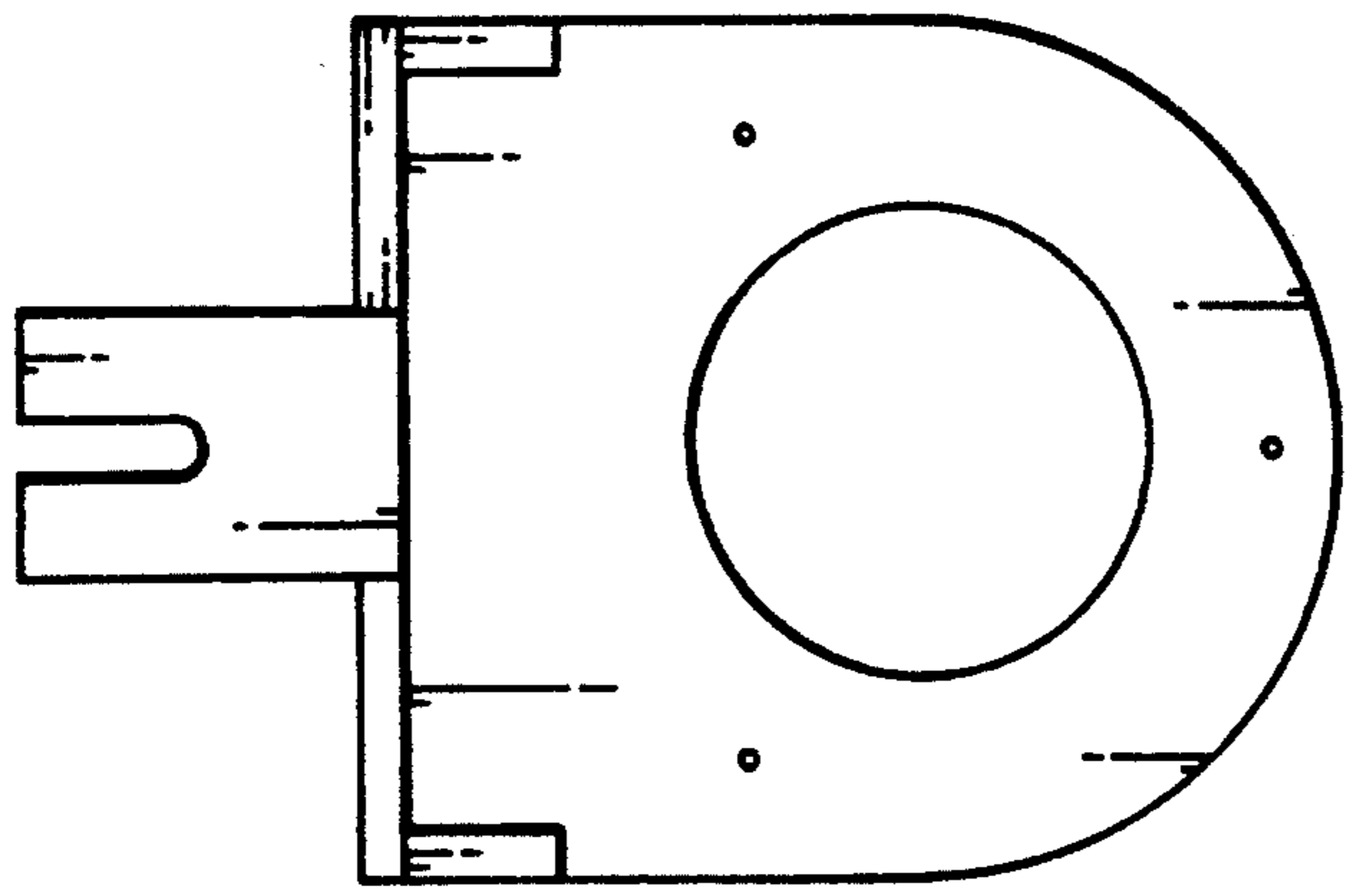


FIG. 7

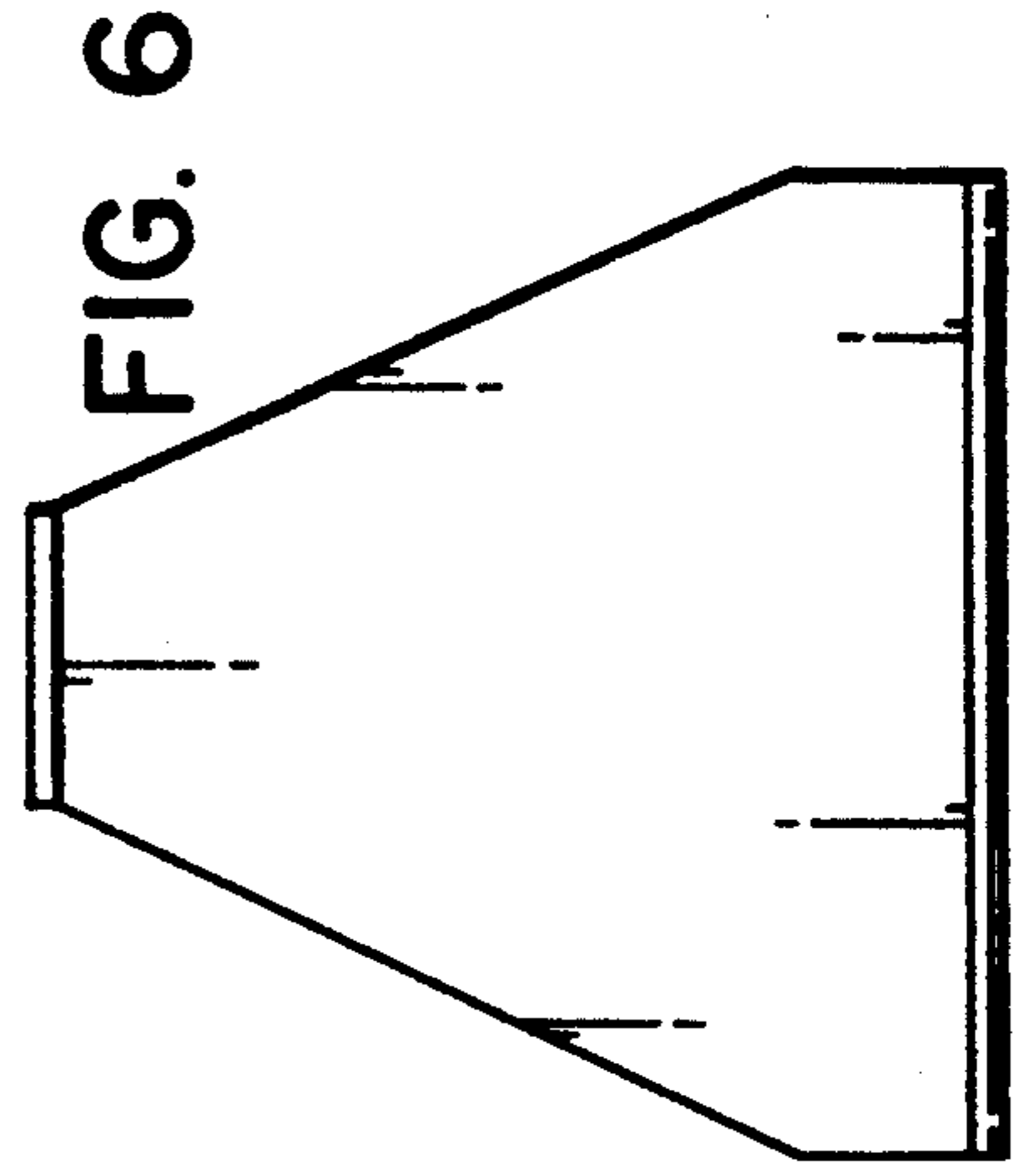


FIG. 6

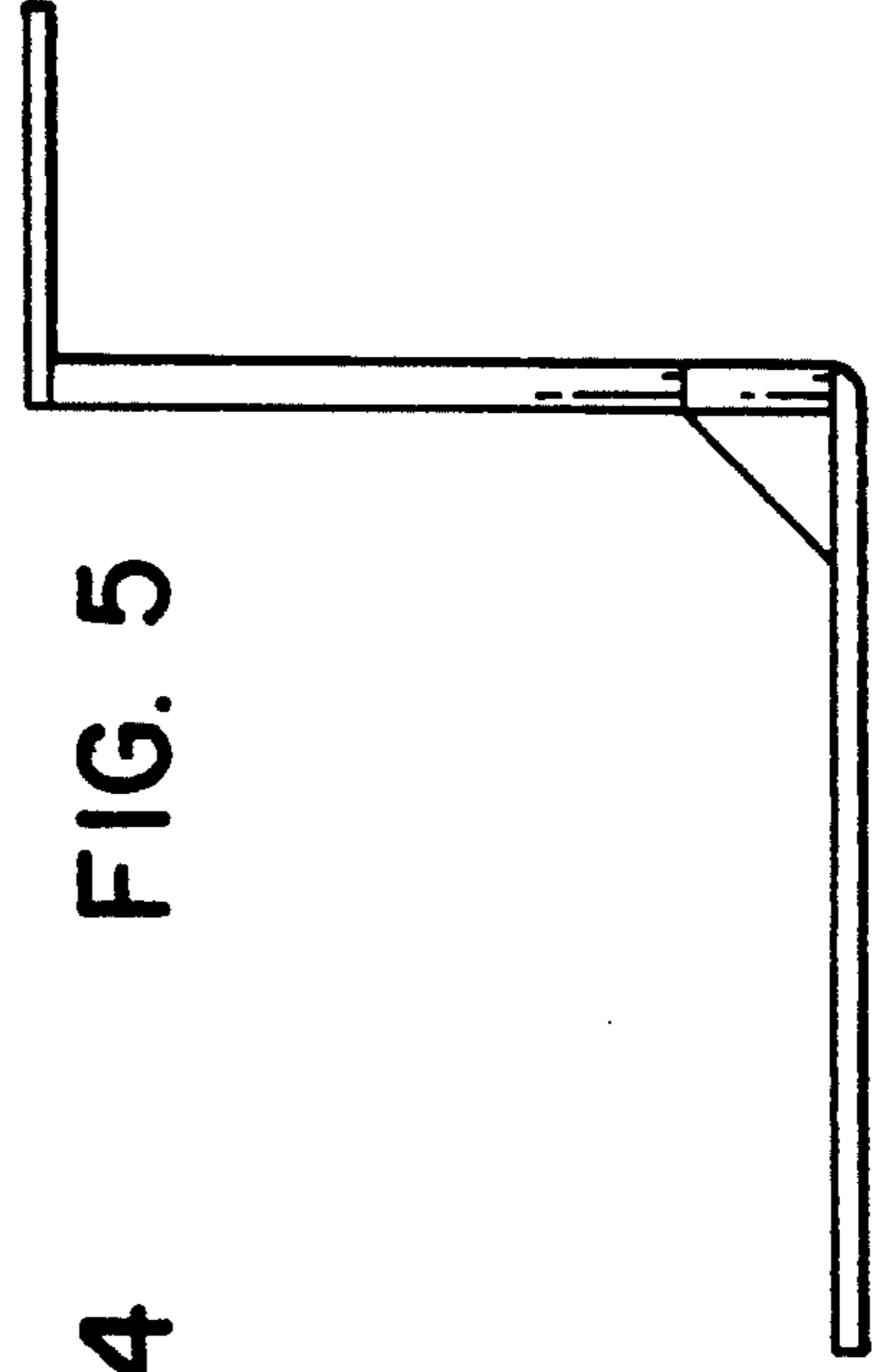


FIG. 5

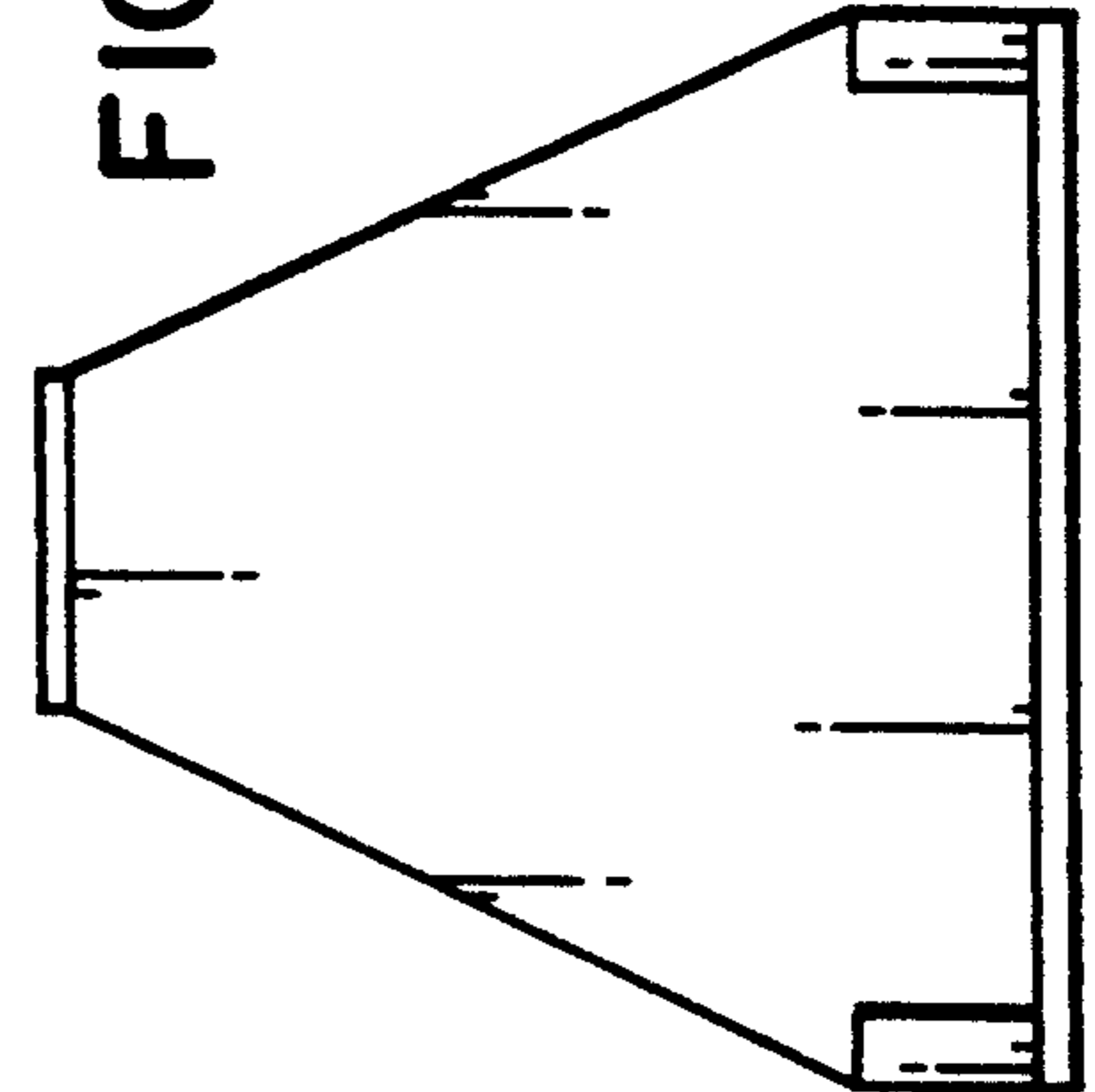


FIG. 4