



US00D336481S

United States Patent [19]

[11] Patent Number: **Des. 336,481**

Silvia

[45] Date of Patent: **** Jun. 15, 1993**

[54] COLLET HOLDING FIXTURE

D. 311,193 10/1990 Andersson et al. D15/140 X
4,262,917 4/1981 Ohestad 279/4

[76] Inventor: **William Silvia, 7 Maple Rd., Warren, R.I. 02885**

Primary Examiner—Alan P. Douglas
Assistant Examiner—Antoine D. Davis
Attorney, Agent, or Firm—Salter, Michaelson & Benson

[**] Term: **14 Years**

[57] **CLAIM**

[21] Appl. No.: **572,796**

The ornamental design for a collet holding fixture, as shown.

[22] Filed: **Aug. 27, 1990**

[52] U.S. Cl. **D15/140**

[58] Field of Search **D15/140; 228/44.7, 51, 228/55; 269/21; 279/3, 4, 46**

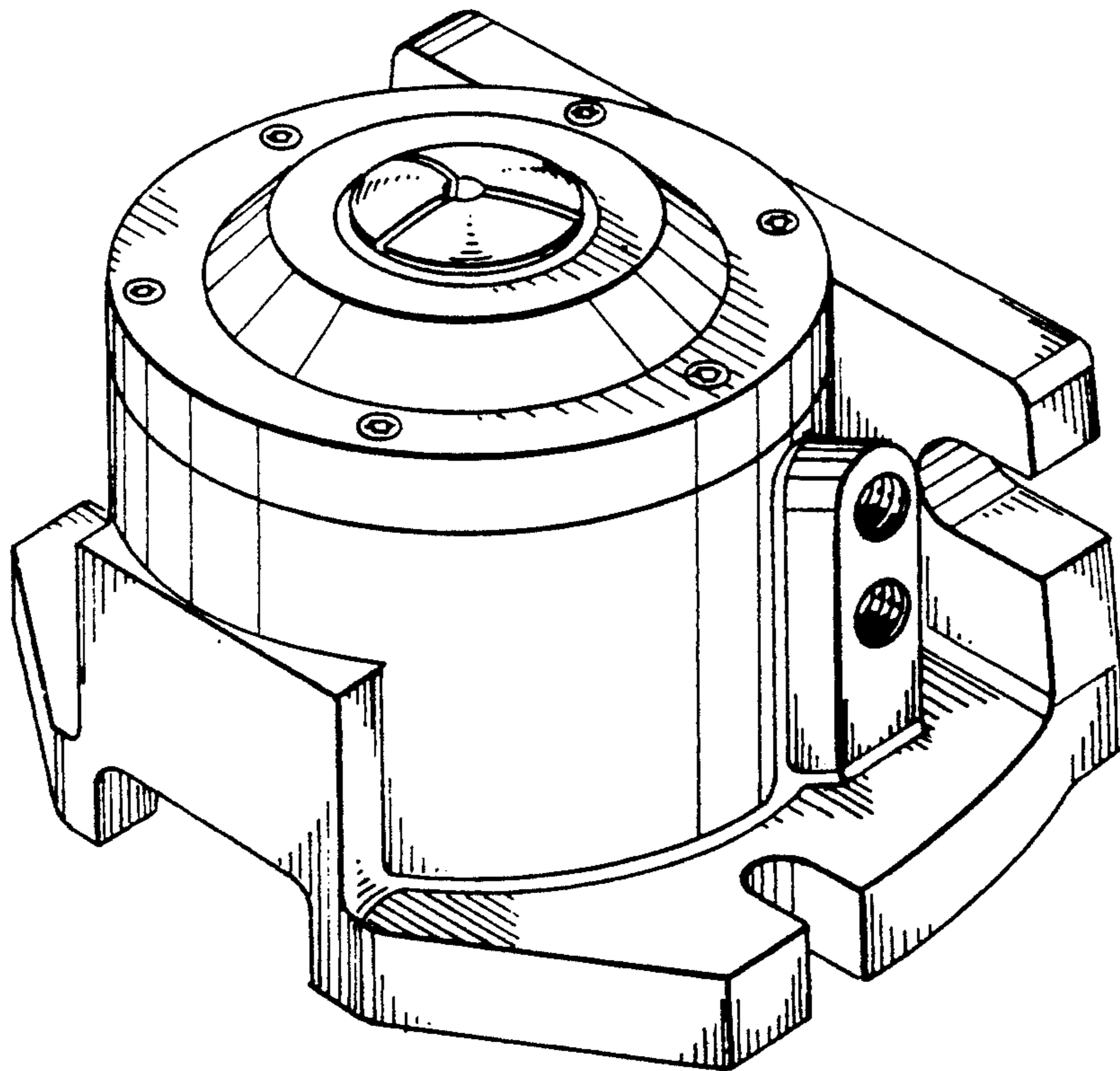
DESCRIPTION

[56] **References Cited**

U.S. PATENT DOCUMENTS

- D. 167,473 8/1952 Muller-Munk D15/140
- D. 204,091 3/1966 Behnk D15/140
- D. 212,447 10/1968 Kazer D15/140
- D. 290,014 5/1987 Christiansen D15/140

FIG. 1 is a perspective view of a collet holding fixture showing my new design;
FIG. 2 is a left side elevational view thereof;
FIG. 3 is a top plan view thereof;
FIG. 4 is a bottom plan view thereof;
FIG. 5 is a right side elevational view thereof;
FIG. 6 is a front elevational view thereof; and,
FIG. 7 is a rear elevational view thereof.



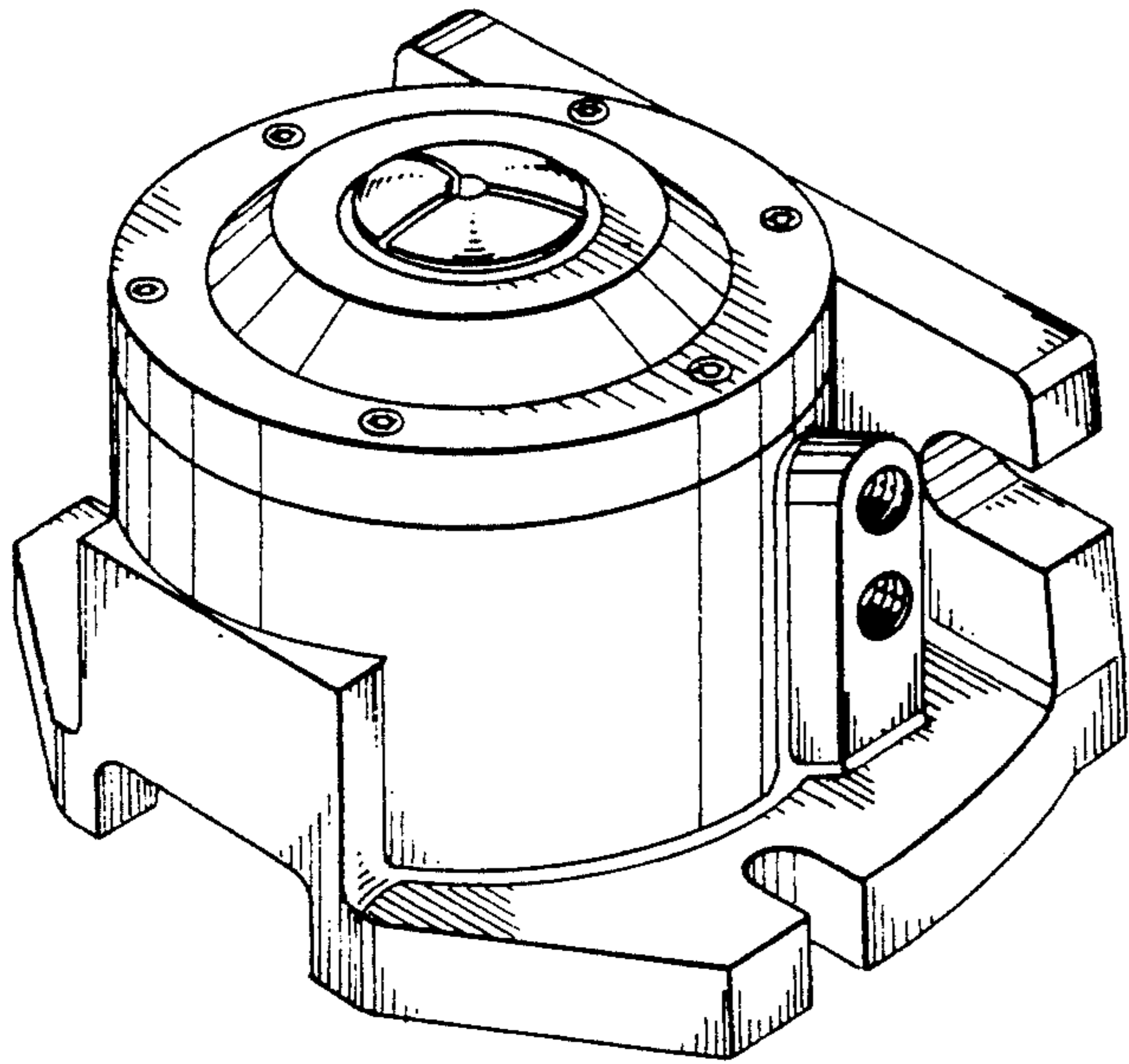


FIG. 1

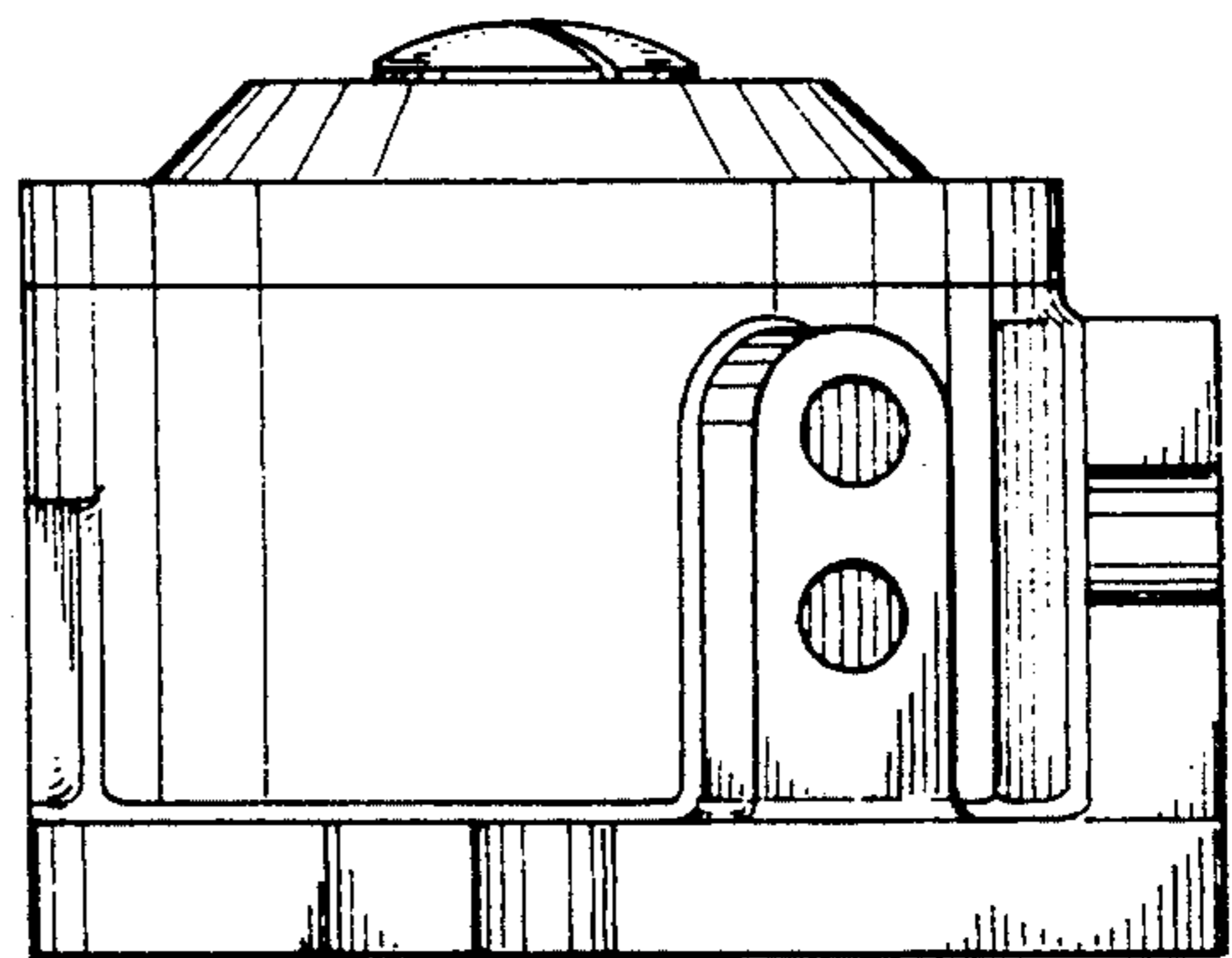


FIG. 2

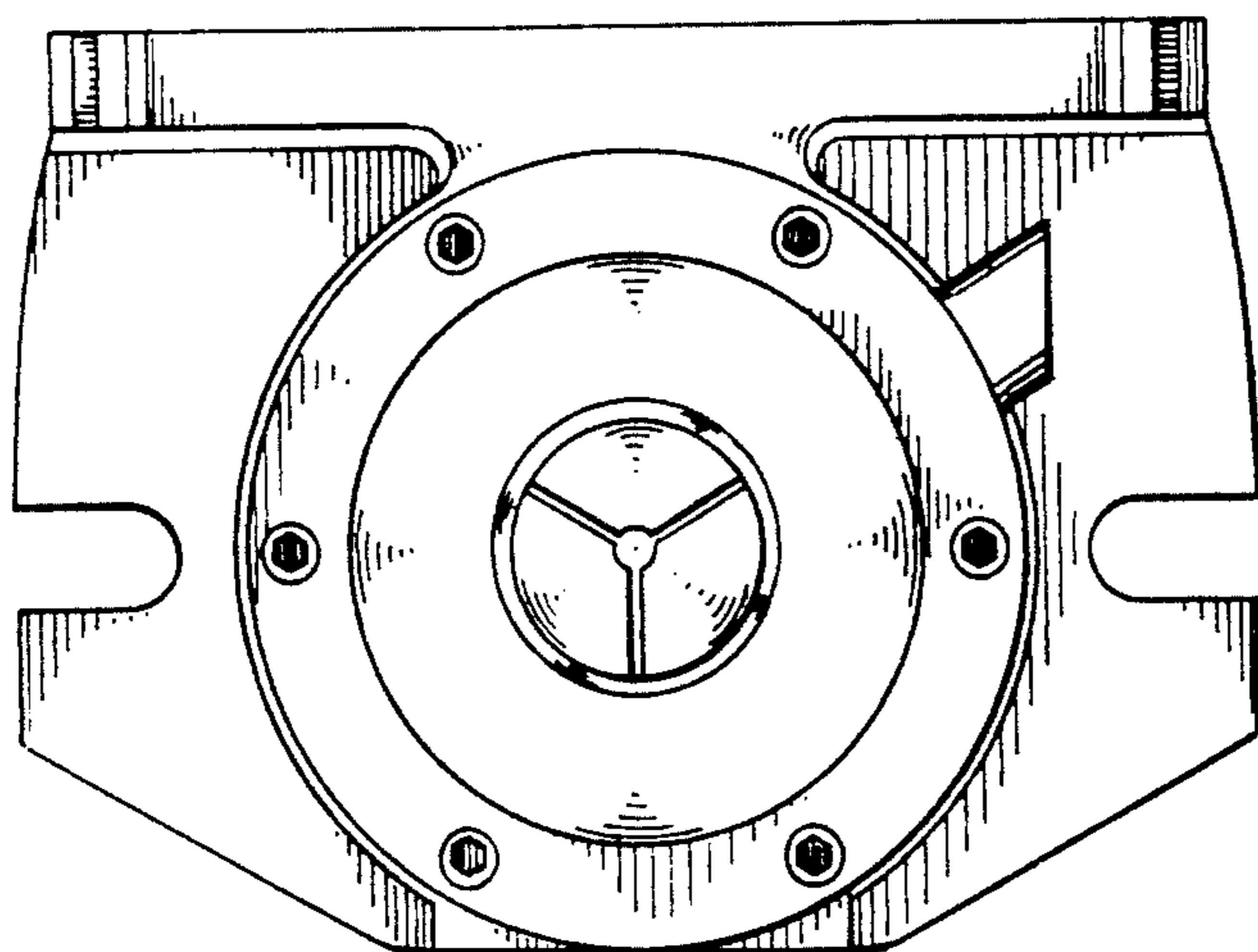


FIG. 3

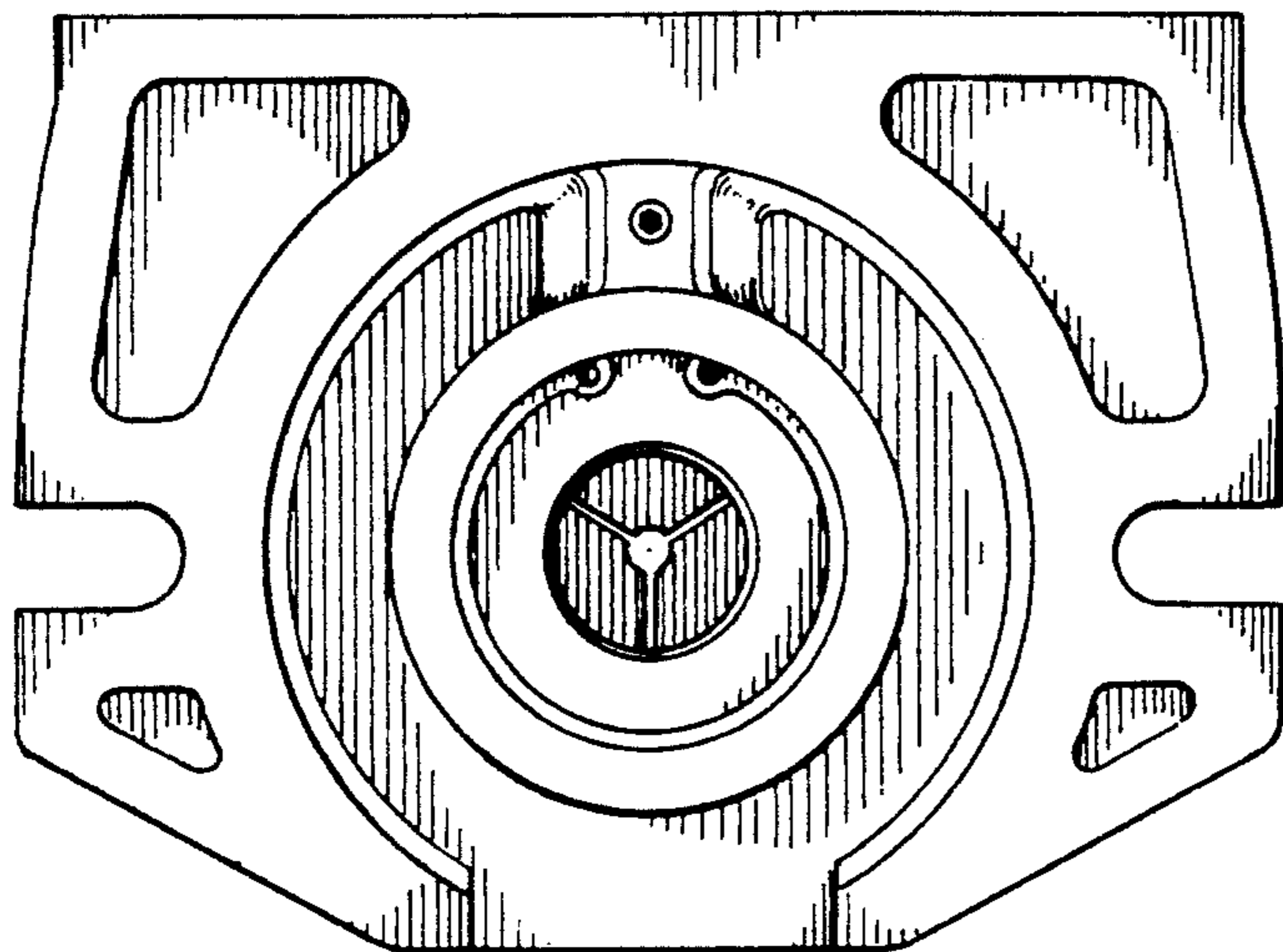


FIG. 4

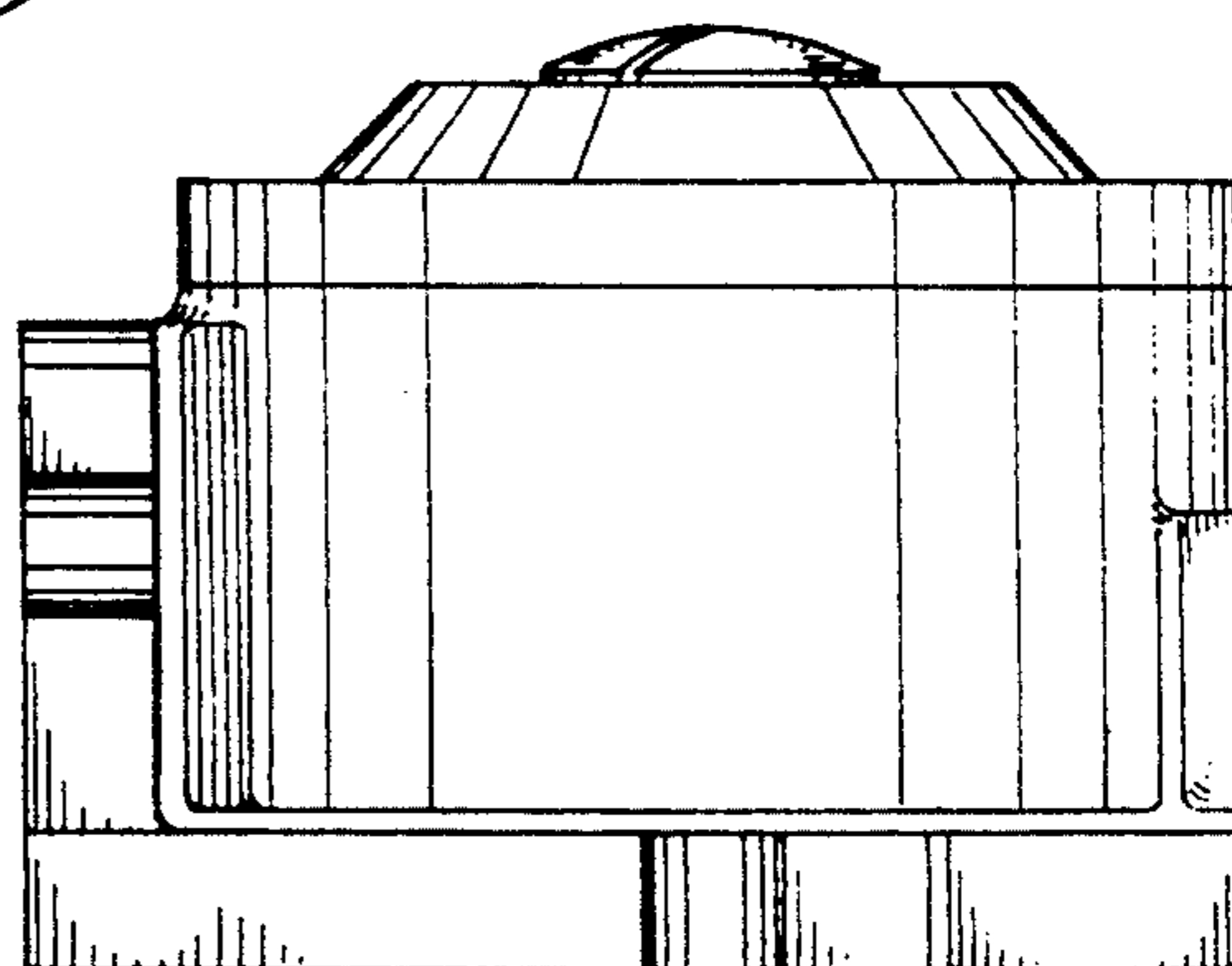


FIG. 5

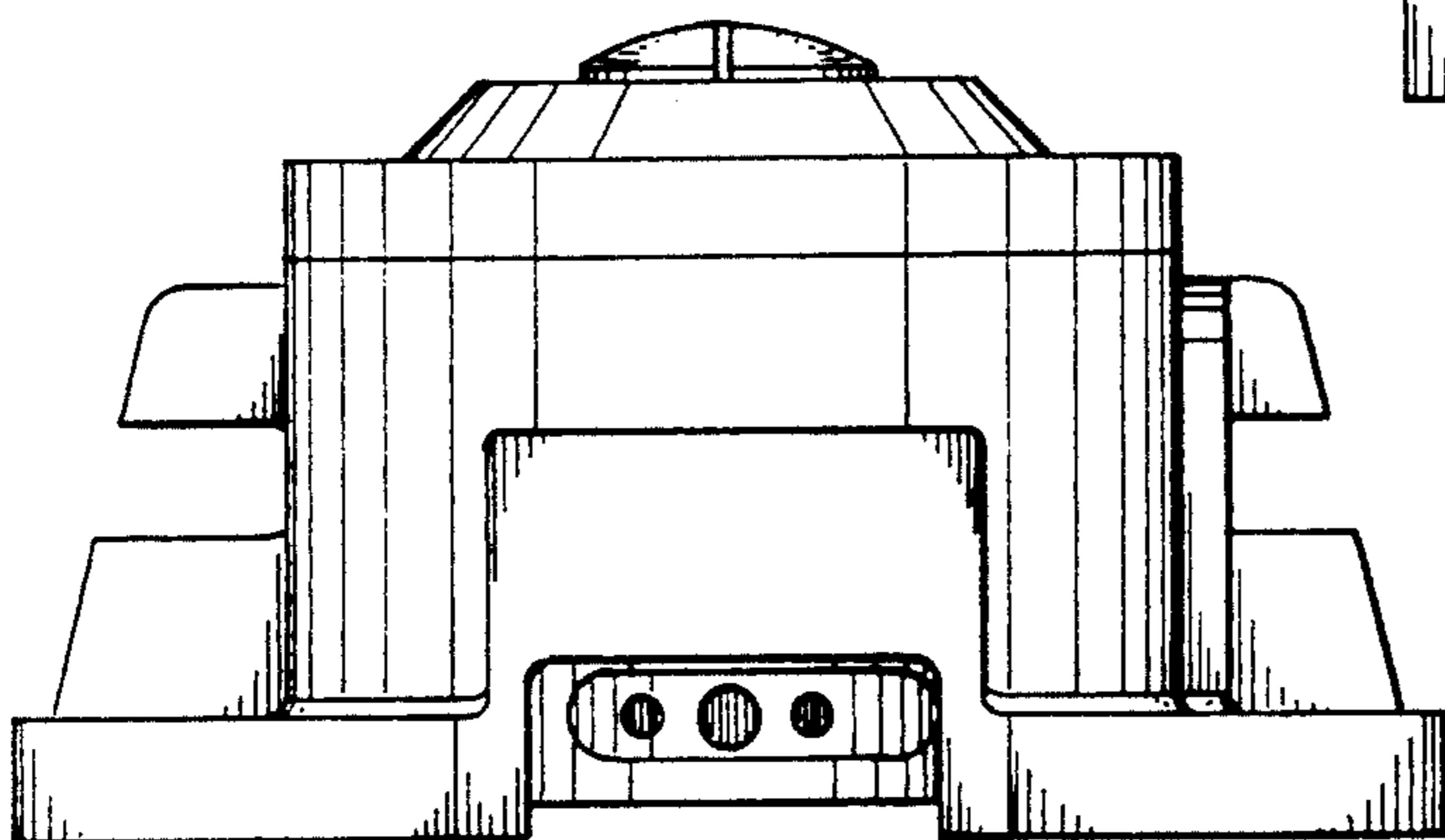


FIG. 6

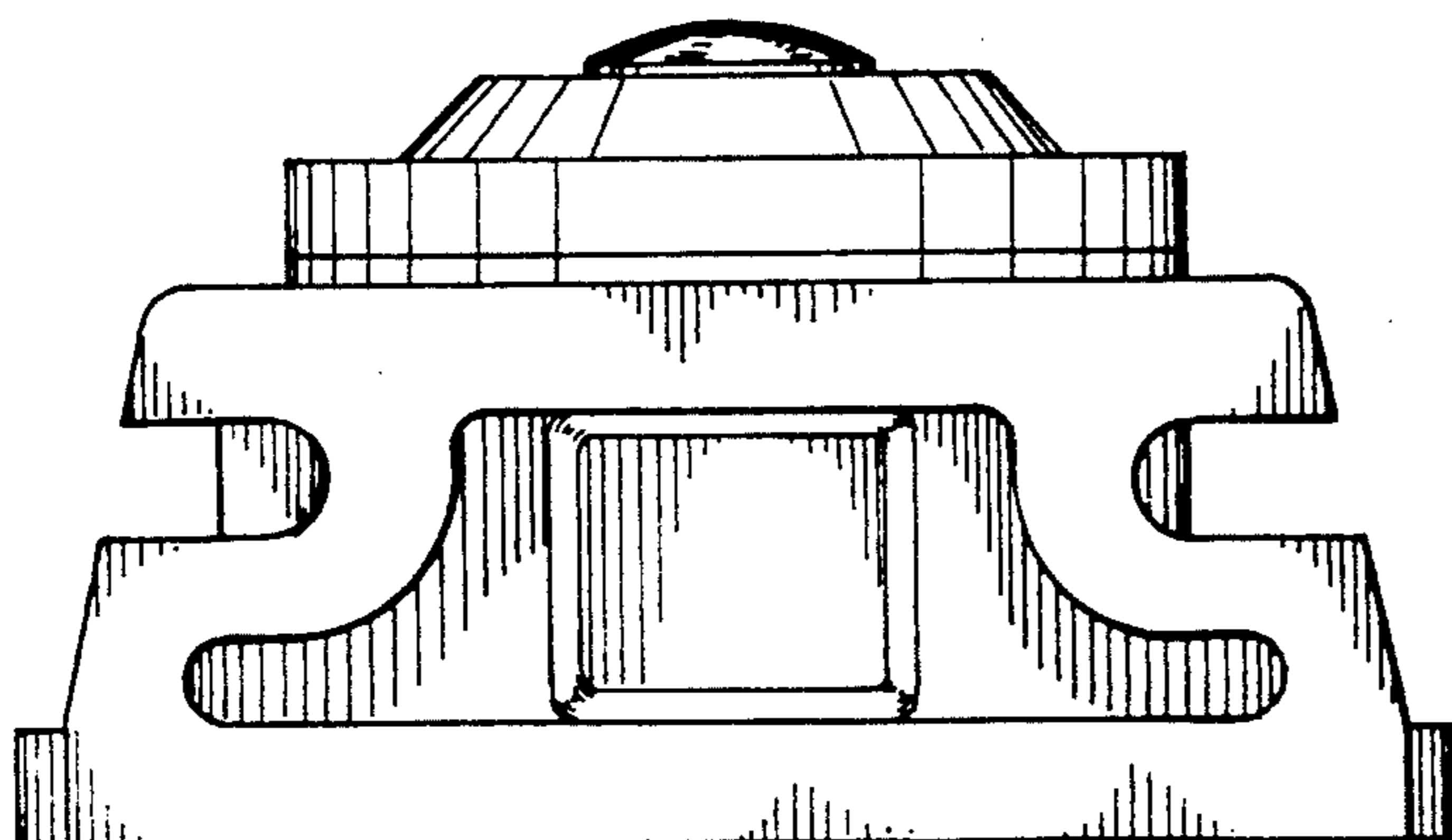


FIG. 7