



US00D336478S

United States Patent [19]

[11] Patent Number: **Des. 336,478**

Balbas et al.

[45] Date of Patent: **** Jun. 15, 1993**

[54] ALUMINIUM CAN CRUSHING APPLIANCE

[56]

References Cited

U.S. PATENT DOCUMENTS

[75] Inventors: **Frank M. Balbas**, San Jose; **Donald J. Massaro**, Atherton; **Lawrence Lam**, Cupertino, all of Calif.

D. 280,327	8/1985	Wilson	D15/123
D. 327,278	6/1992	Lam et al.	D15/123
2,624,271	1/1953	Johnson	100/283 X
4,970,951	11/1990	Katz	100/289

[73] Assignee: **Sjoberg Industries, Inc.**, Mountain View, Calif.

Primary Examiner—Alan P. Douglas
Assistant Examiner—Antoine D. Davis
Attorney, Agent, or Firm—Limbach & Limbach

[**] Term: **14 Years**

[57] CLAIM

The design for an aluminum can crushing appliance, as shown and described.

[21] Appl. No.: **784,013**

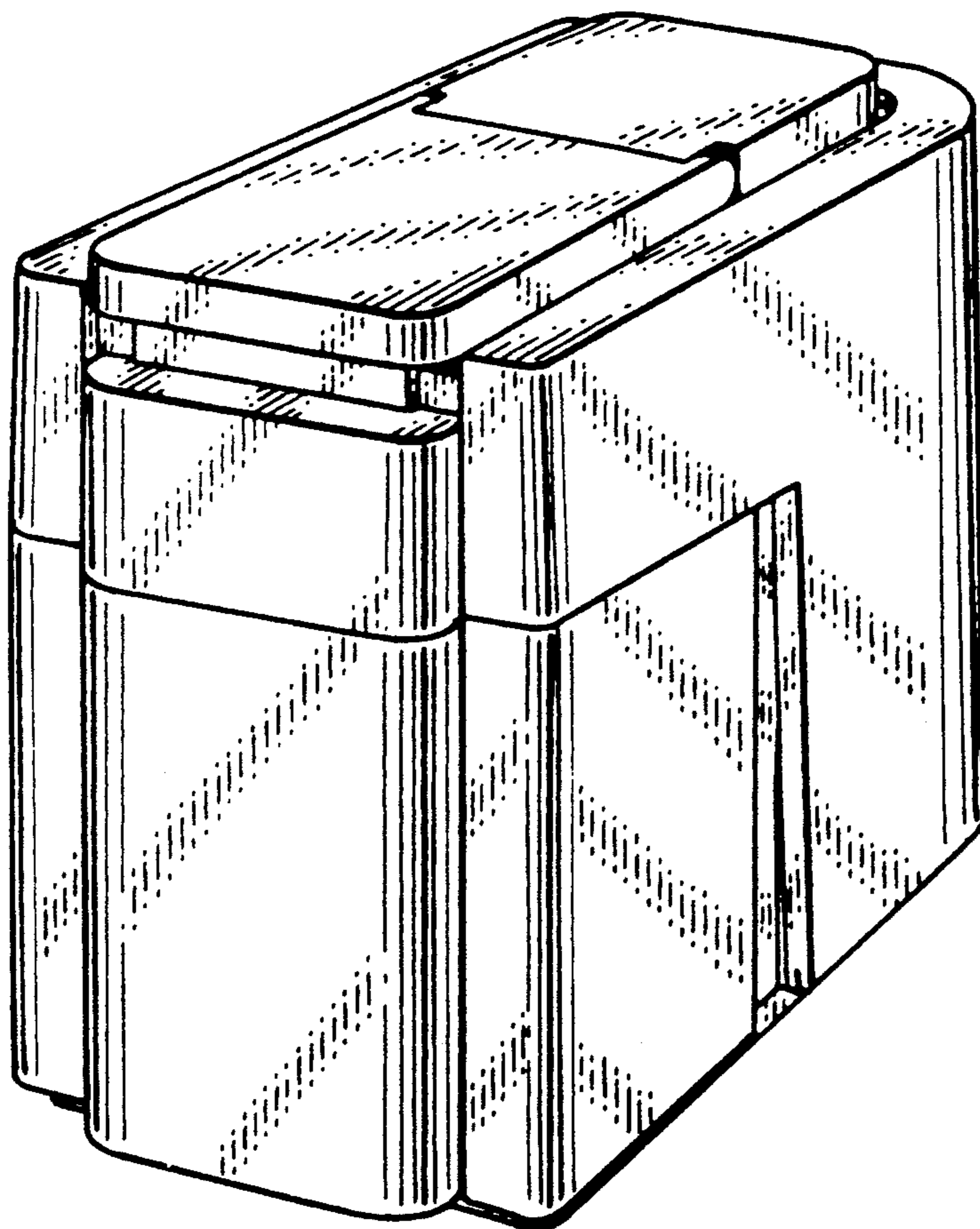
DESCRIPTION

[22] Filed: **Oct. 28, 1991**

[52] U.S. Cl. **D15/123**

[58] Field of Search **D15/122, 123; 100/37, 100/264-268, 276, 283, 284, 285, 295, 296, 233, 268, 902**

FIG. 1 is a top perspective view of an aluminum can crushing appliance having our new ornamental design; FIG. 2 is a top plan view thereof; FIG. 3 is a front elevational view thereof; FIG. 4 is a right side elevational view, the left side elevational view being a mirror image; and, FIG. 5 is a rear elevational view thereof.



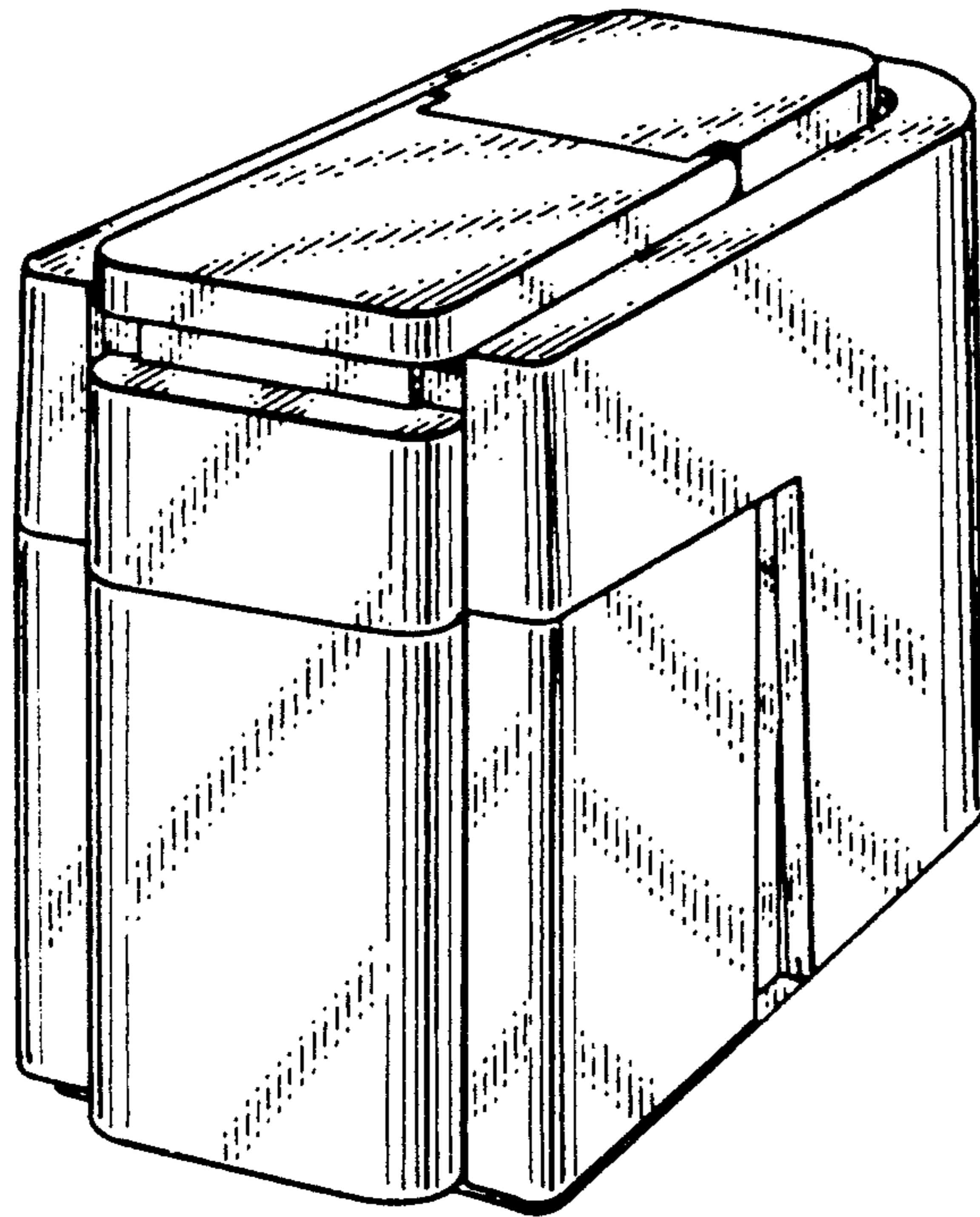


FIG. 1.

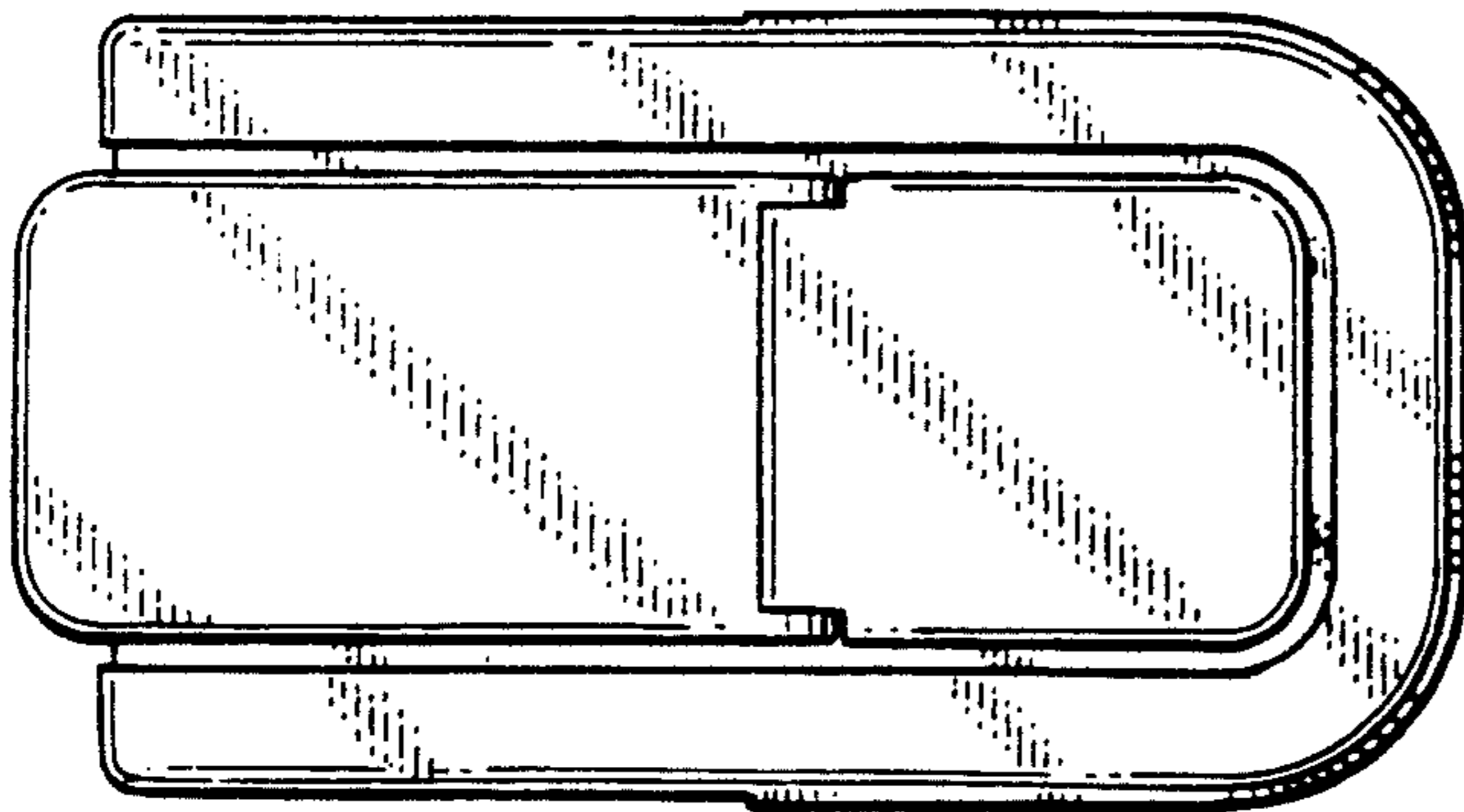


FIG. 2.

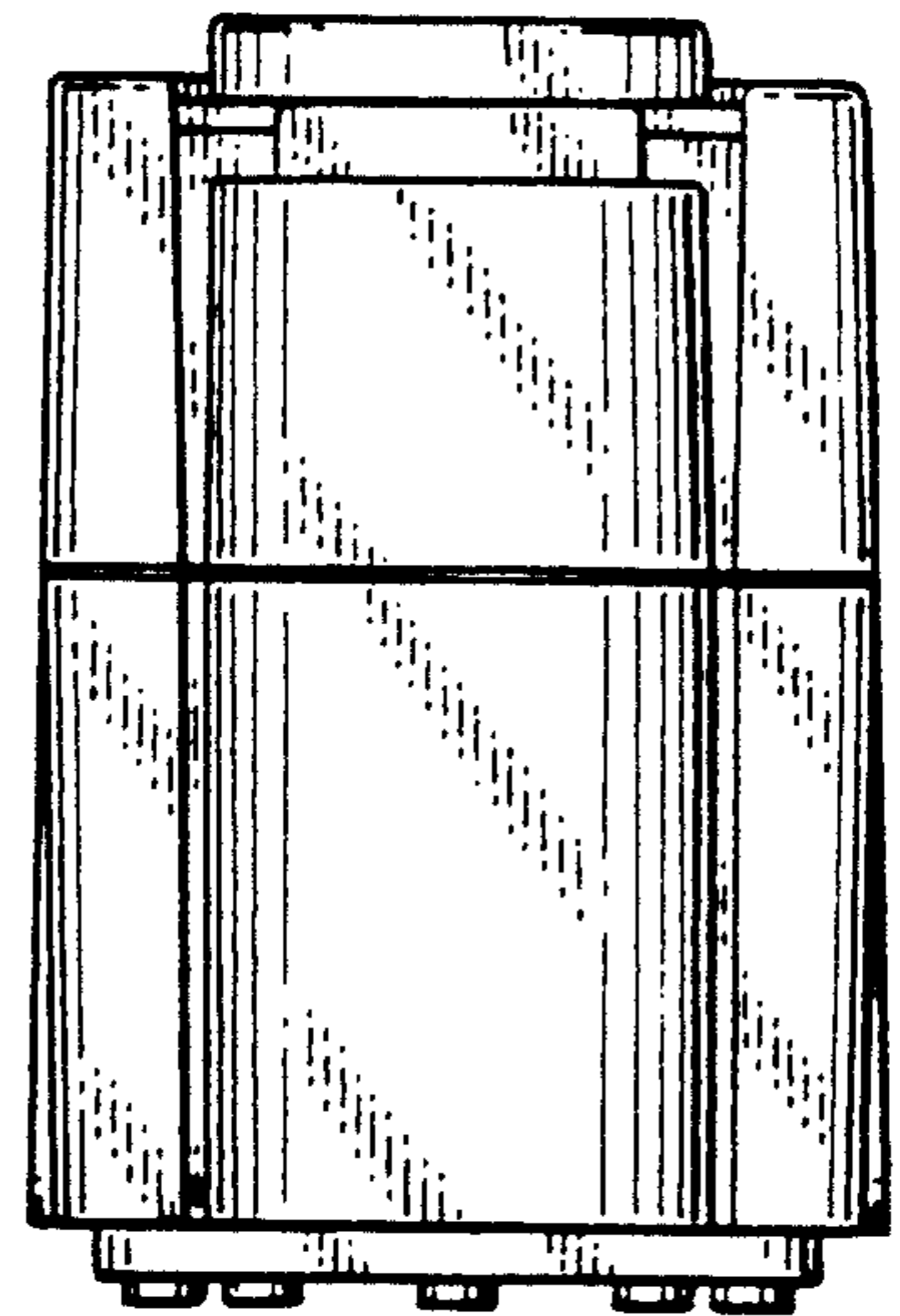


FIG. 3.

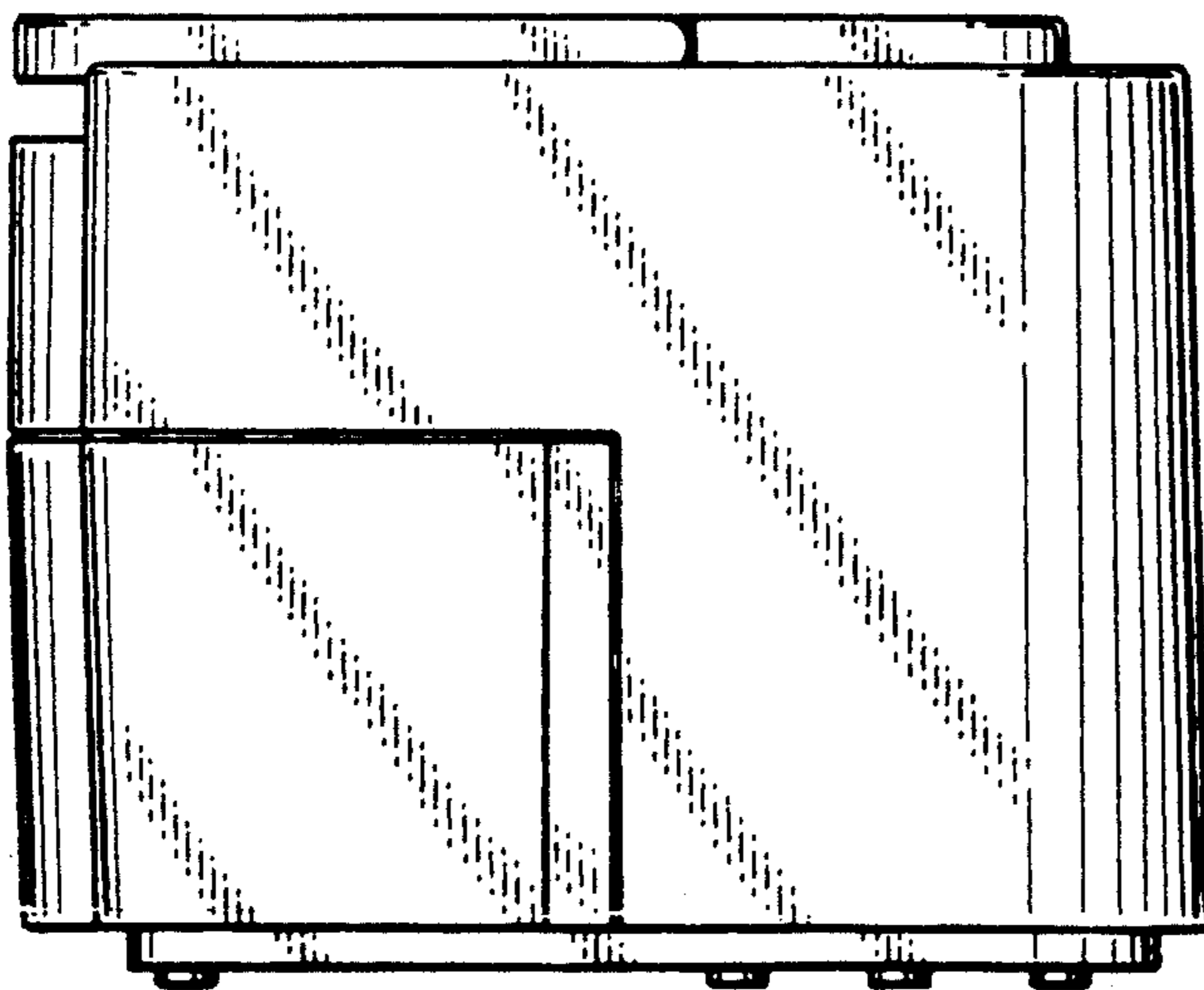


FIG. 4.

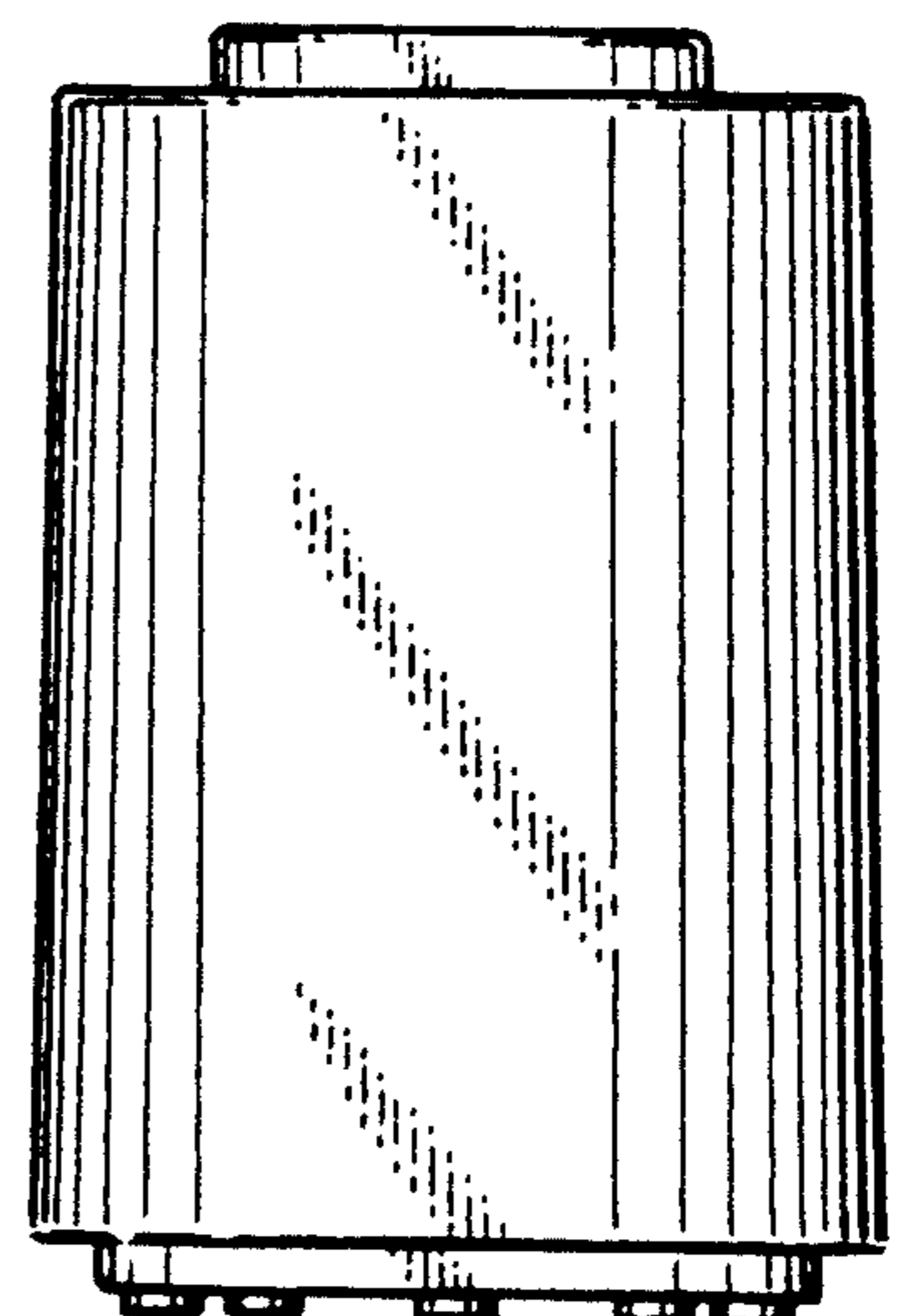


FIG. 5.