



US00D336464S

United States Patent [19]

[11] Patent Number: **Des. 336,464**

Clough et al.

[45] Date of Patent: **** Jun. 15, 1993**

[54] **PORTABLE COMPUTER WITH TOUCH SCREEN**

4,812,830 3/1989 Doering 340/712
4,814,760 3/1989 Johnston et al. 340/784
4,931,019 6/1990 Park 340/712 X

[75] Inventors: **William Clough, Bainsville; Daniel Ouellette, St. Luc, both of Canada**

Primary Examiner—Wallace R. Burke
Assistant Examiner—Freda S. Nunn
Attorney, Agent, or Firm—Cesari and McKenna

[73] Assignee: **MicroSlate, Inc., Brossard, Canada**

[**] Term: **14 Years**

[57] CLAIM

[21] Appl. No.: **609,460**

The ornamental design for a portable computer with touch screen, as shown and described.

[22] Filed: **Nov. 5, 1990**

[52] U.S. Cl. **D14/100**

DESCRIPTION

[58] **Field of Search** D14/100, 101, 106, 115, D14/113; D18/1, 7; 235/145 A, 145 R; 340/700, 706, 707, 712; 341/22, 23; 364/708, 709; 361/390; 178/18, 19

FIG. 1 is a top front and left side perspective view of a portable computer with touch screen showing our new design;

FIG. 2 is a top plan view thereof;

FIG. 3 is a left side elevational view thereof the right side elevational being a mirror image;

FIG. 4 is a front elevational view thereof;

FIG. 5 is a rear elevational view thereof;

FIG. 6 is a bottom plan view thereof;

FIG. 7 is a top front and left side perspective view of a second embodiment thereof;

FIG. 8 is a top plan view thereof;

FIG. 9 is a left side elevational view thereof the right side elevational being a mirror image;

FIG. 10 is a front elevational view thereof; and,

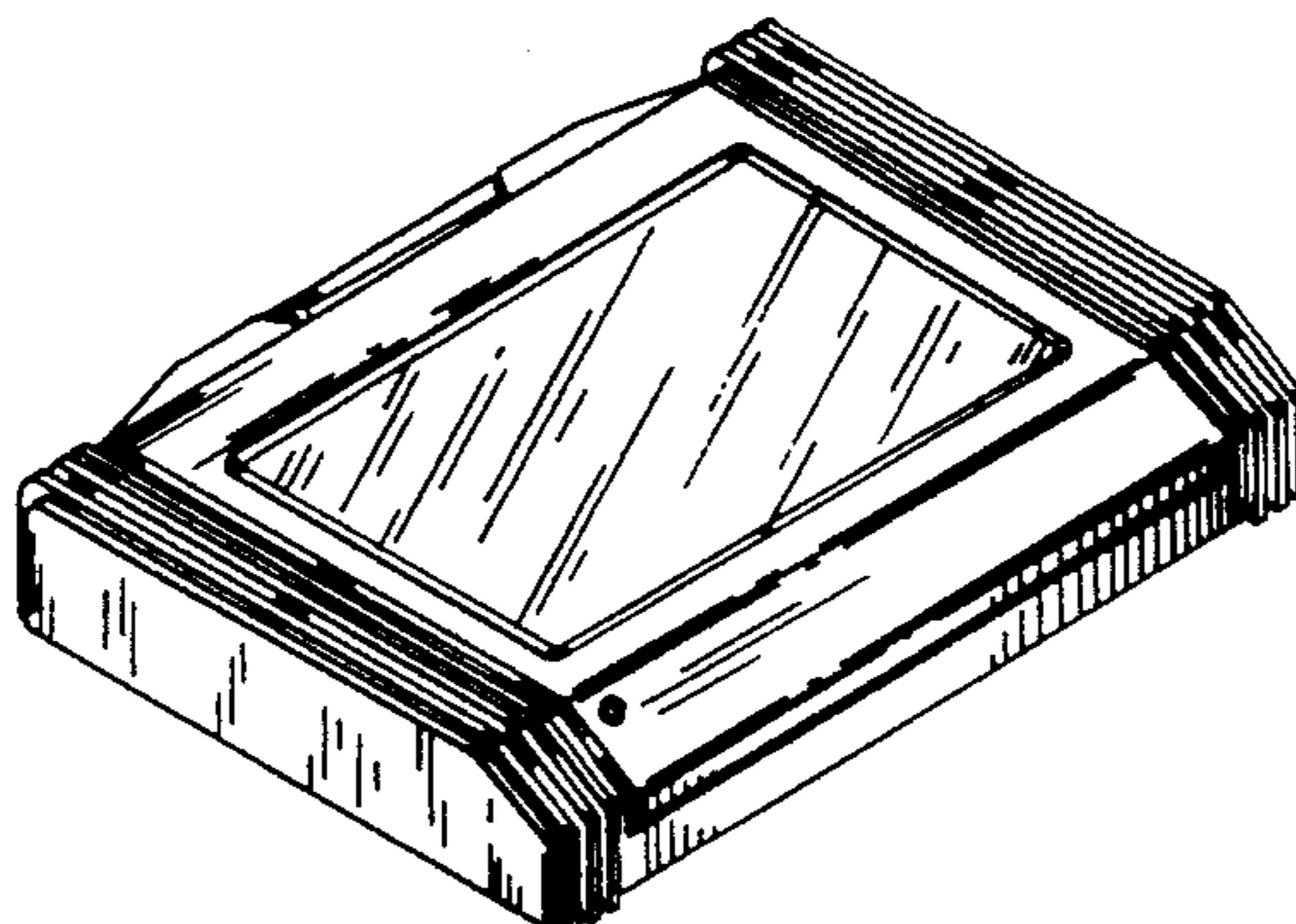
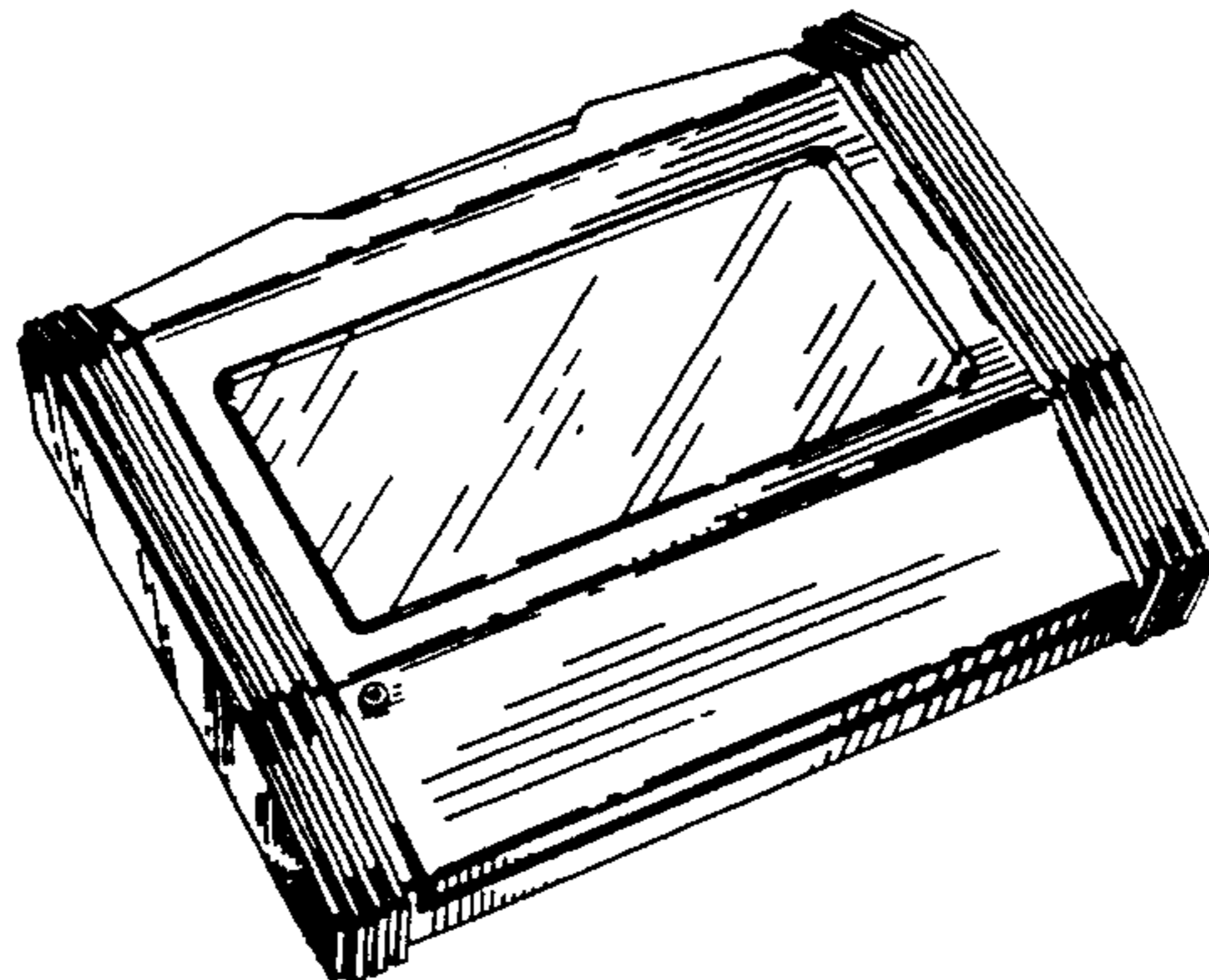
FIG. 11 is a rear elevational view thereof.

The undisclosed bottom plan view of the second embodiment is identical in appearance to that of the first embodiment.

[56] References Cited

U.S. PATENT DOCUMENTS

D. 278,341	4/1985	Scheid	D14/100
D. 303,111	8/1989	Paley	D14/100
D. 303,788	10/1989	Kondoh et al.	D14/100
D. 304,032	10/1989	Fine et al.	D14/113
D. 305,536	1/1990	Richards et al.	D14/100
D. 315,549	3/1991	Clough et al.	D14/100
D. 317,151	5/1991	Daley	D14/100
D. 319,434	8/1991	Lund	D14/100
D. 321,172	10/1991	Moore, IV et al.	D14/100
4,545,023	10/1985	Mizzi	364/709
4,725,694	2/1988	Auer et al.	178/18
4,763,356	8/1988	Day, Jr. et al.	178/18
4,811,004	3/1989	Person et al.	340/712



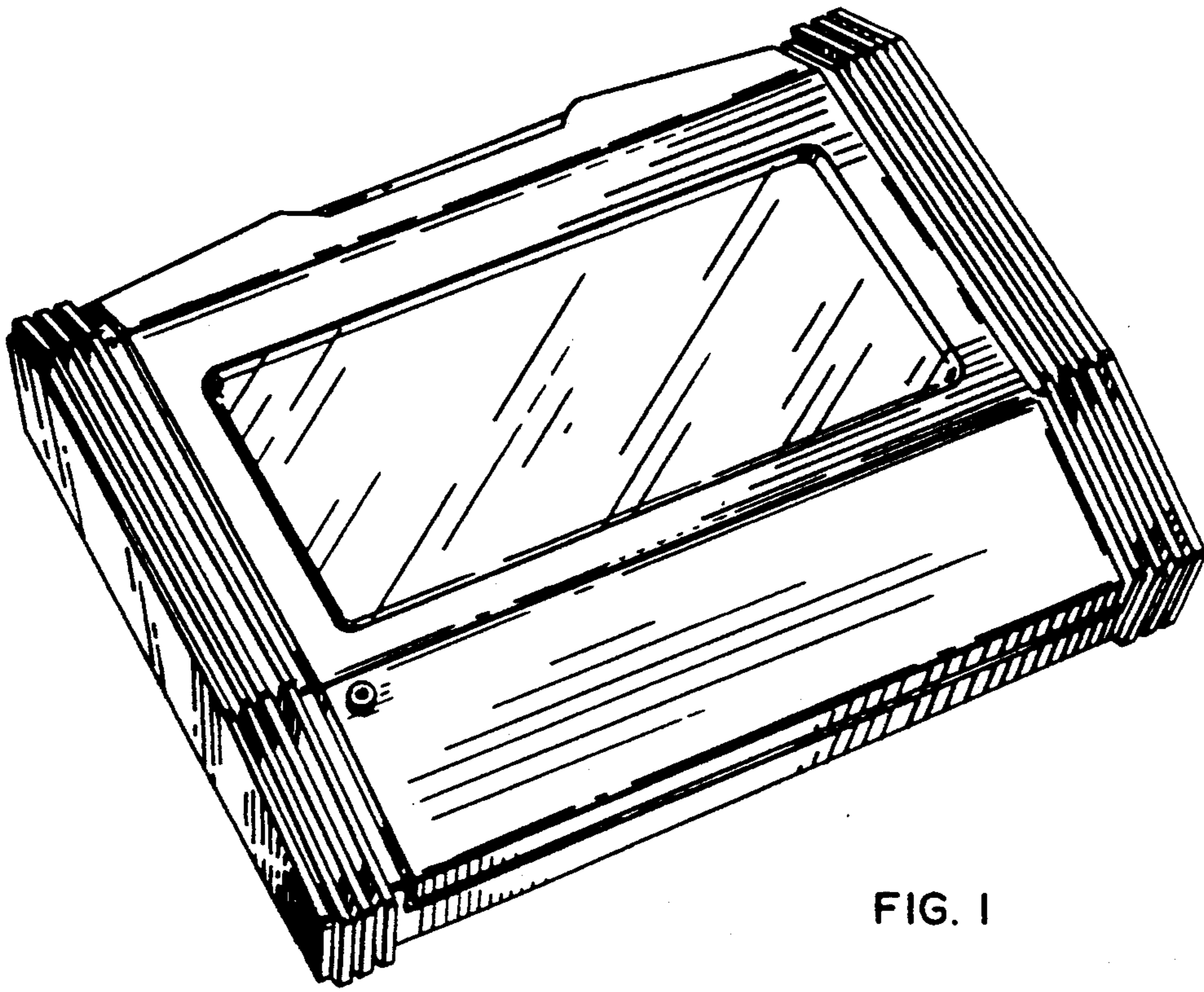


FIG. 1

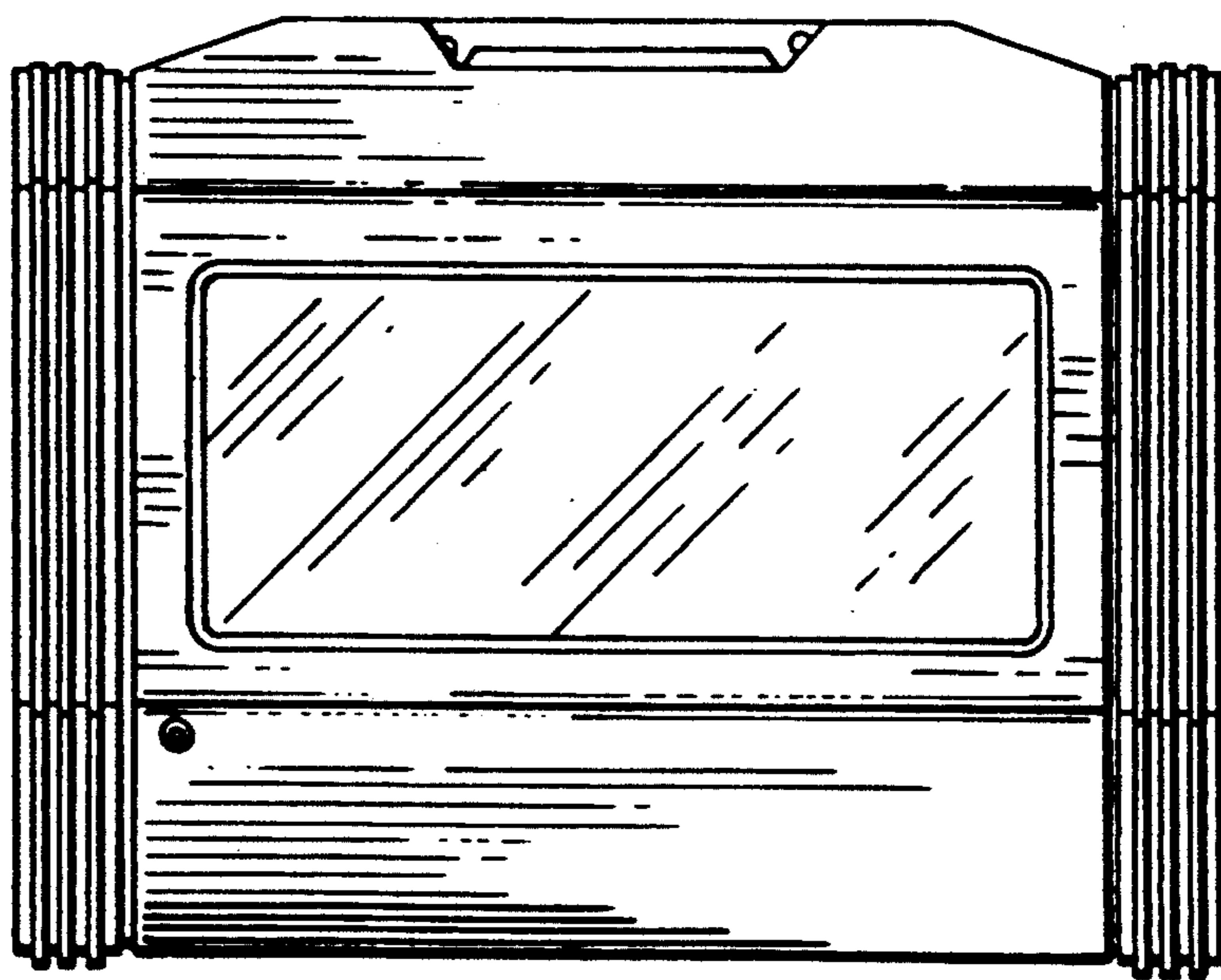


FIG. 2



FIG. 3

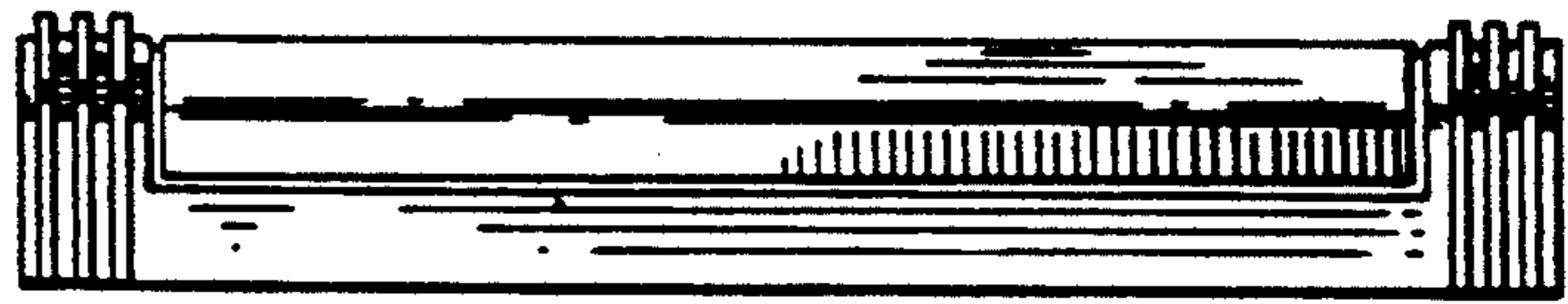


FIG. 4

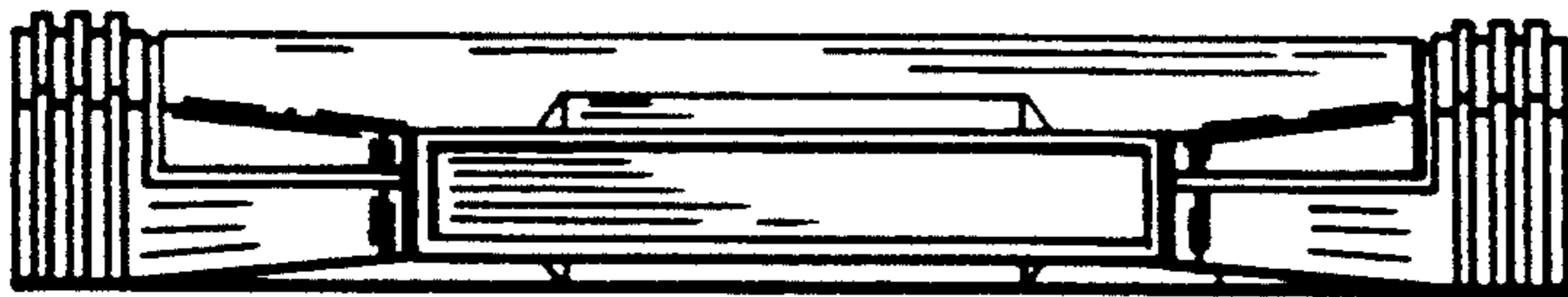


FIG. 5

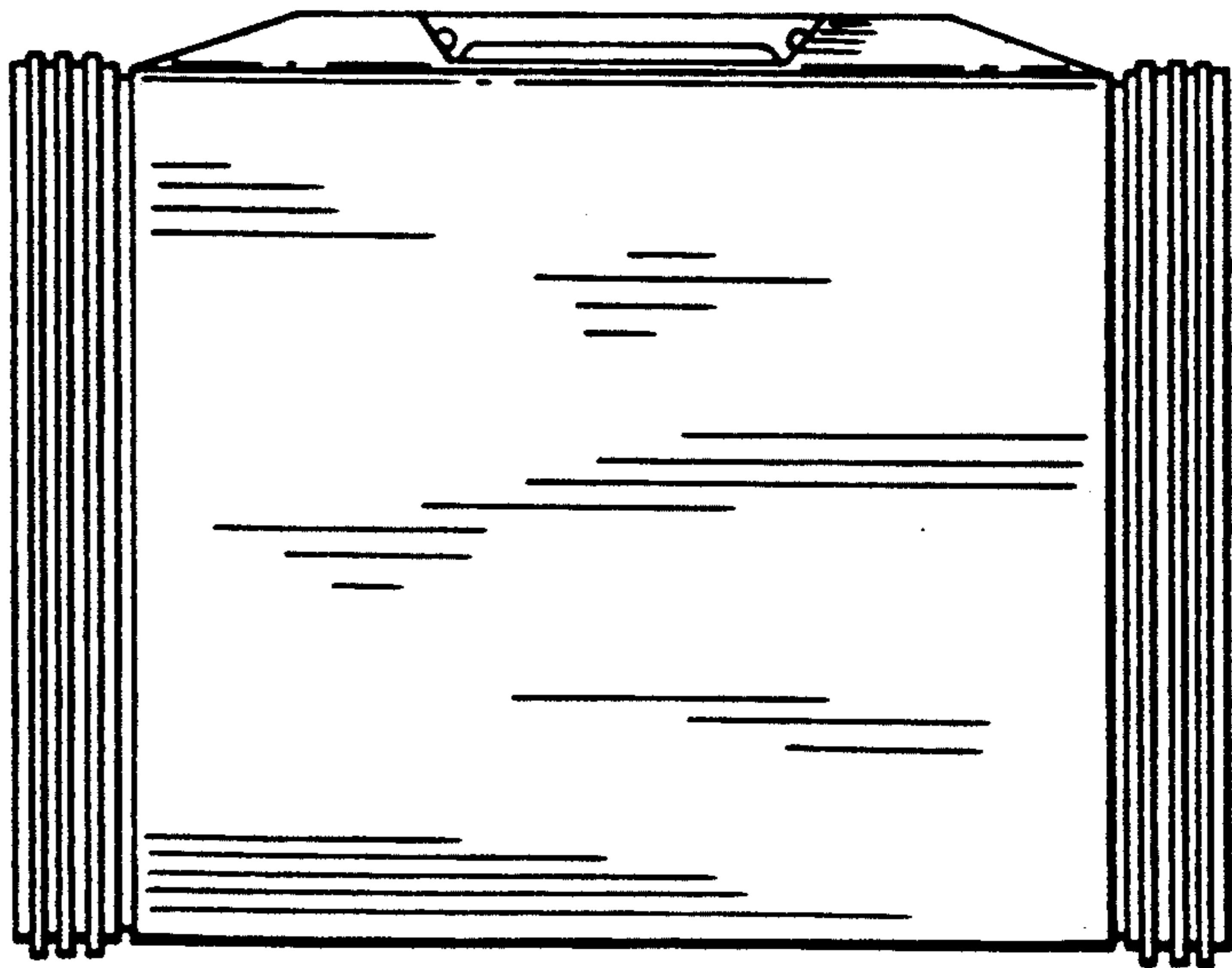


FIG. 6

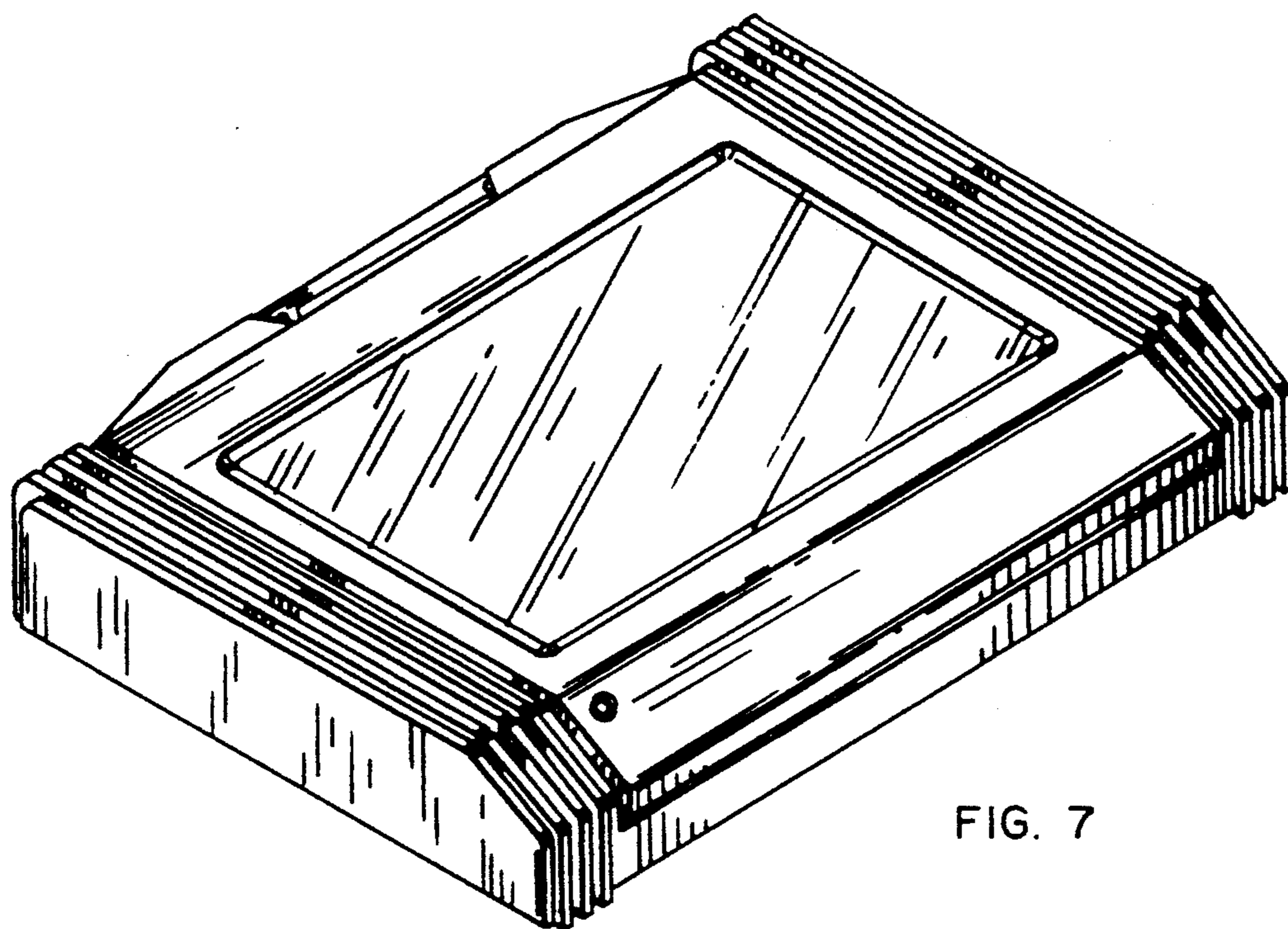
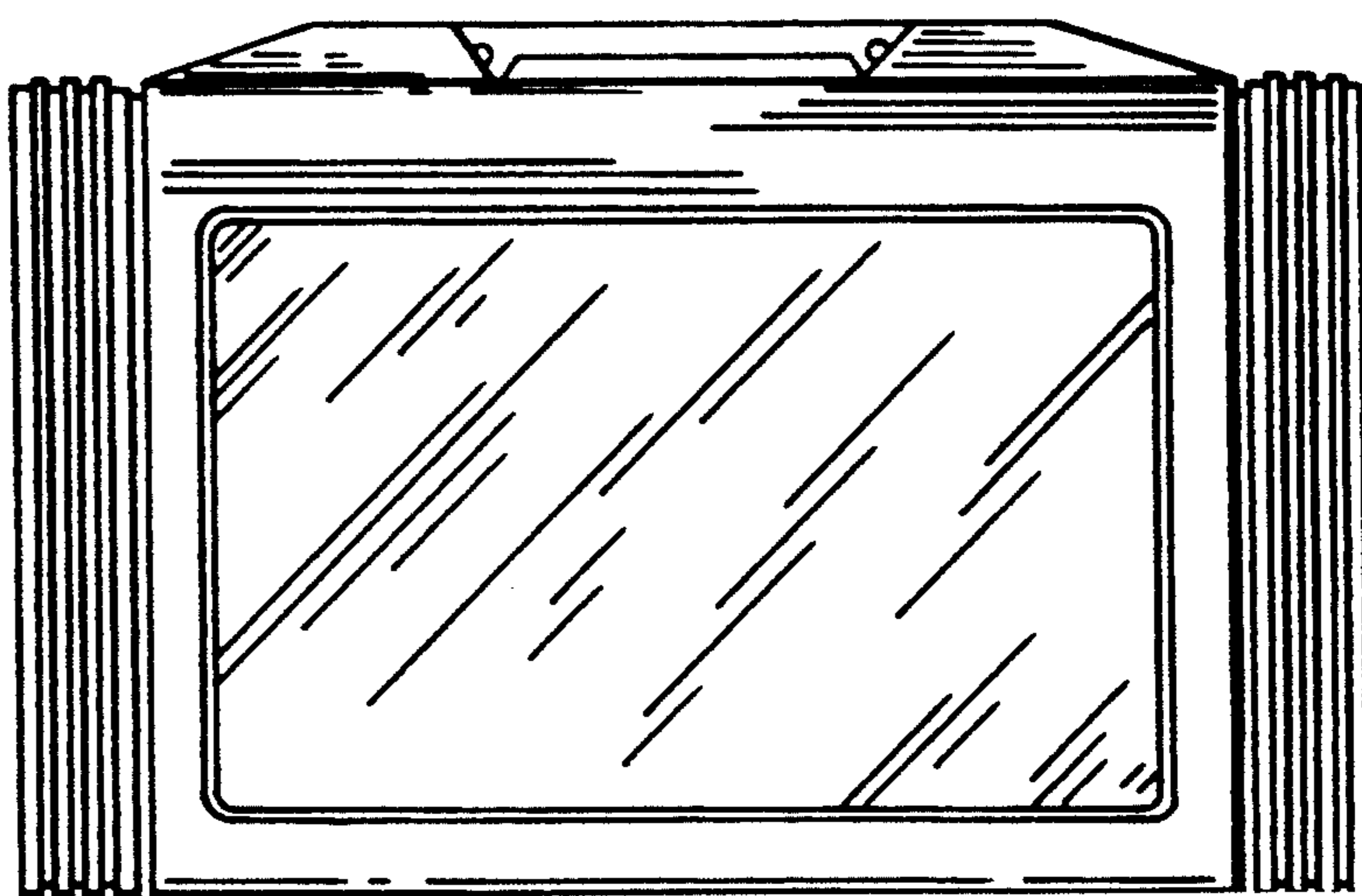


FIG. 7



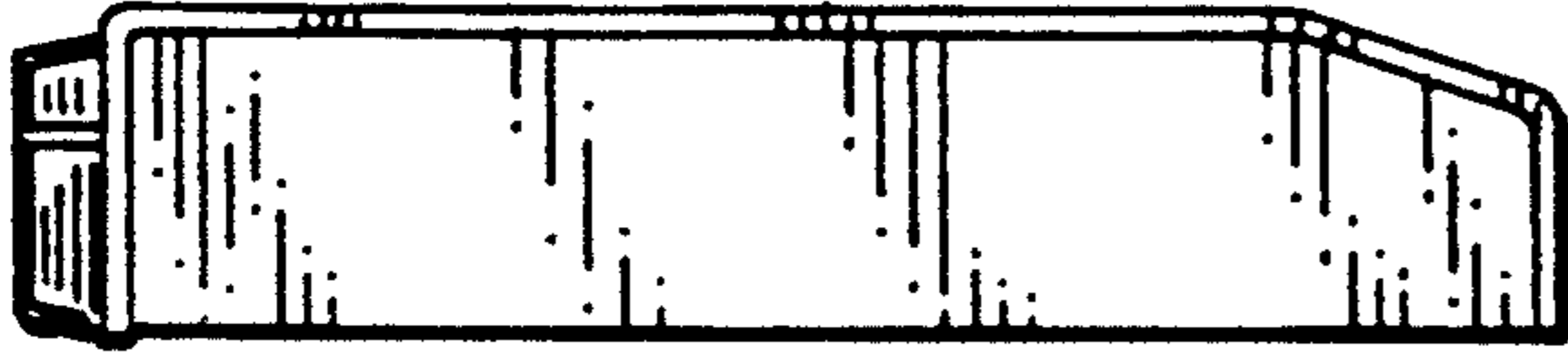


FIG. 9

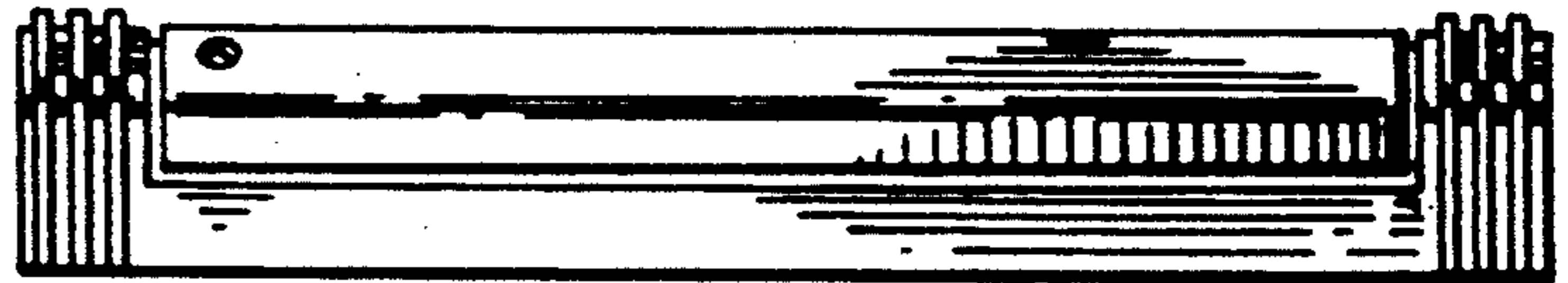


FIG. 10

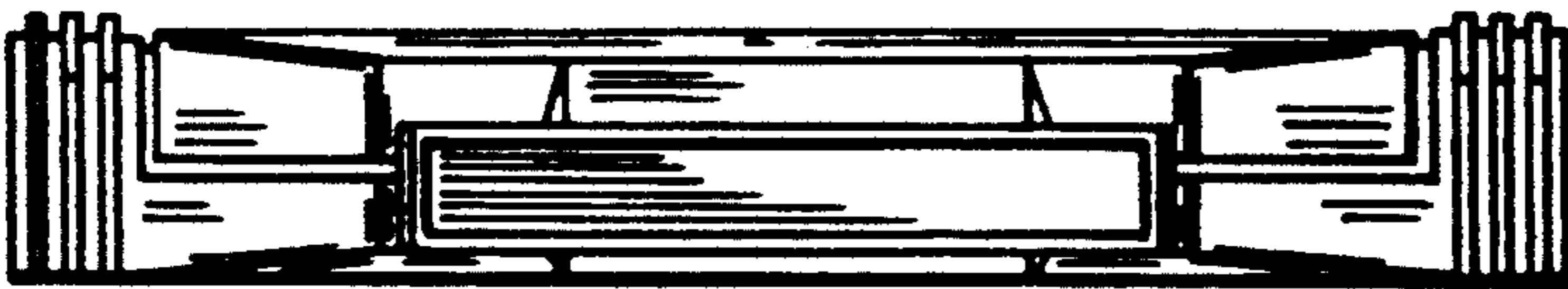


FIG. 11