



US00D336461S

United States Patent [19]

[11] Patent Number: **Des. 336,461**

Villalon et al.

[45] Date of Patent: **** Jun. 15, 1993**

[54] RECREATIONAL BOAT

[75] Inventors: **Augusto Villalon; Wolfgang Schneider**, both of Cape Coral, Fla.

[73] Assignee: **Outboard Marine Corporation**, Waukegan, Ill.

[**] Term: **14 Years**

[21] Appl. No.: **718,152**

[22] Filed: **Jun. 18, 1991**

[52] U.S. Cl. **D12/313; D12/300**

[58] Field of Search **D12/300, 310-315; 114/56, 343, 355, 356, 357, 358**

[56] References Cited

U.S. PATENT DOCUMENTS

D. 284,566 7/1986 Hegg et al. D12/313

OTHER PUBLICATIONS

Tiara ® Cat. (1980), "Pursuit 3100".

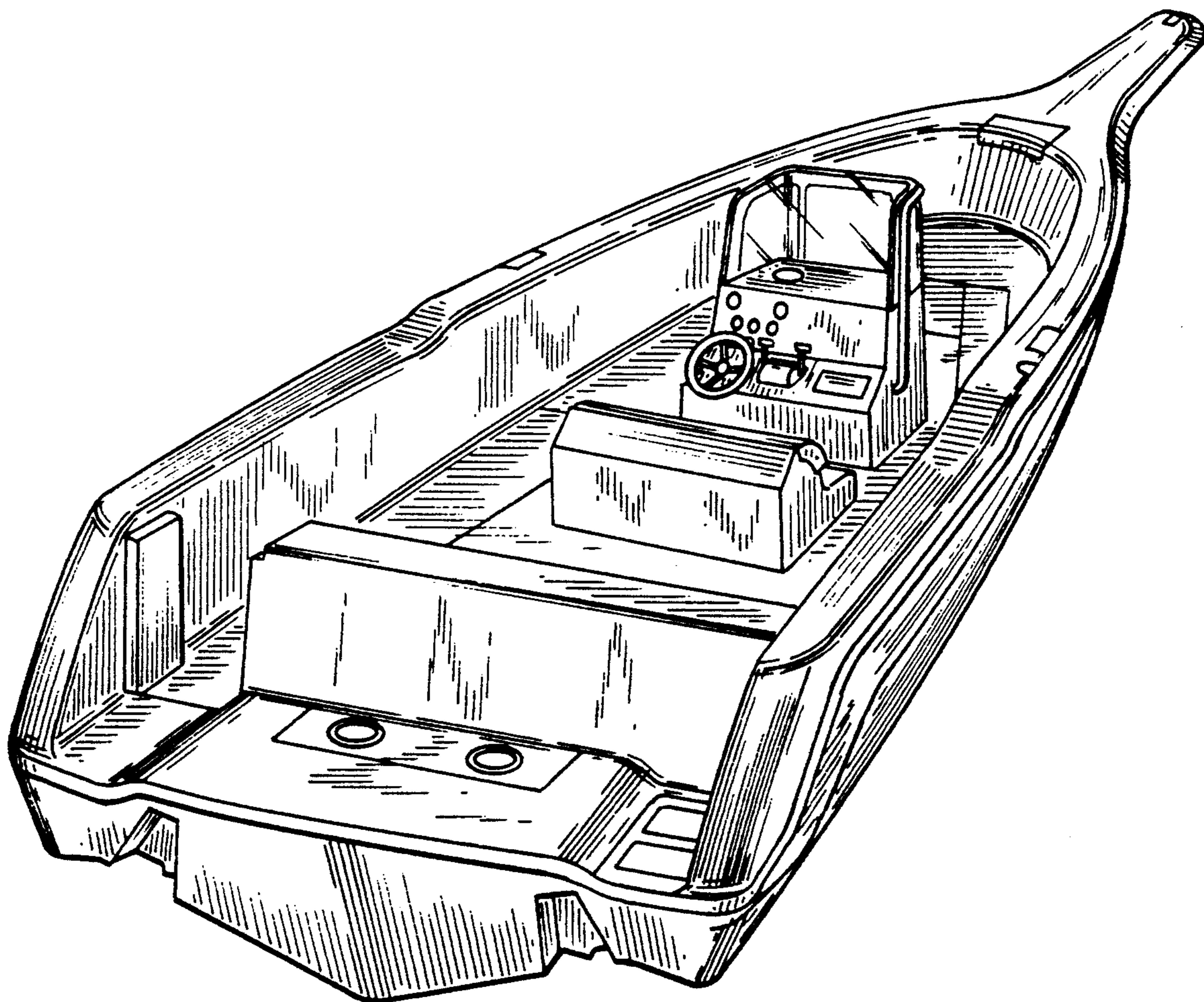
Primary Examiner—Kay H. Chin

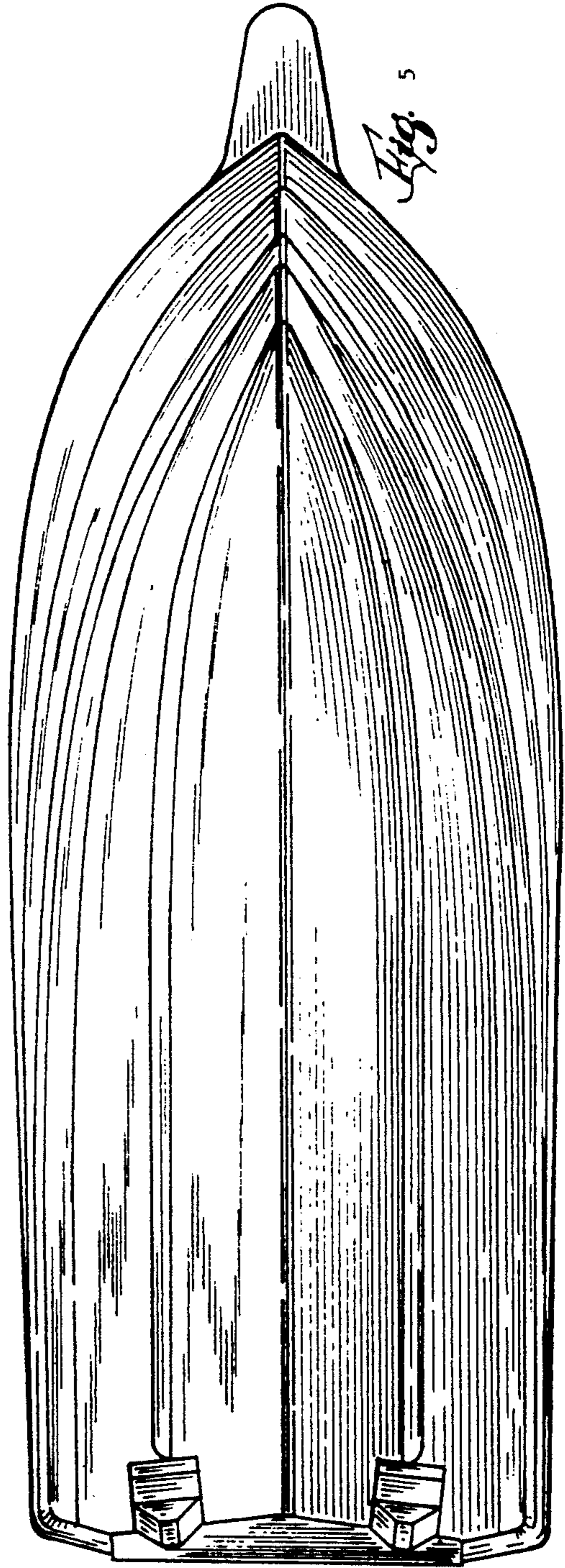
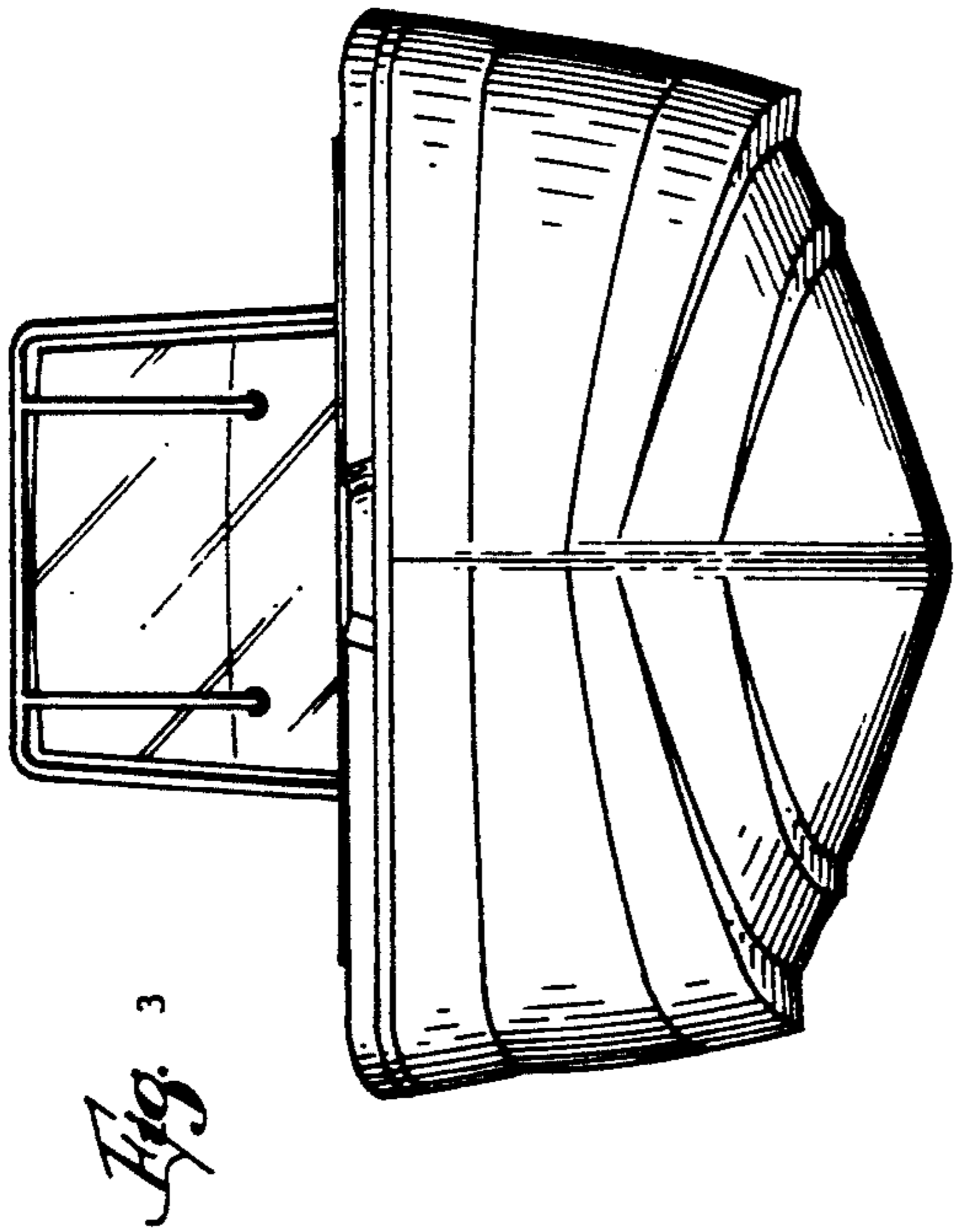
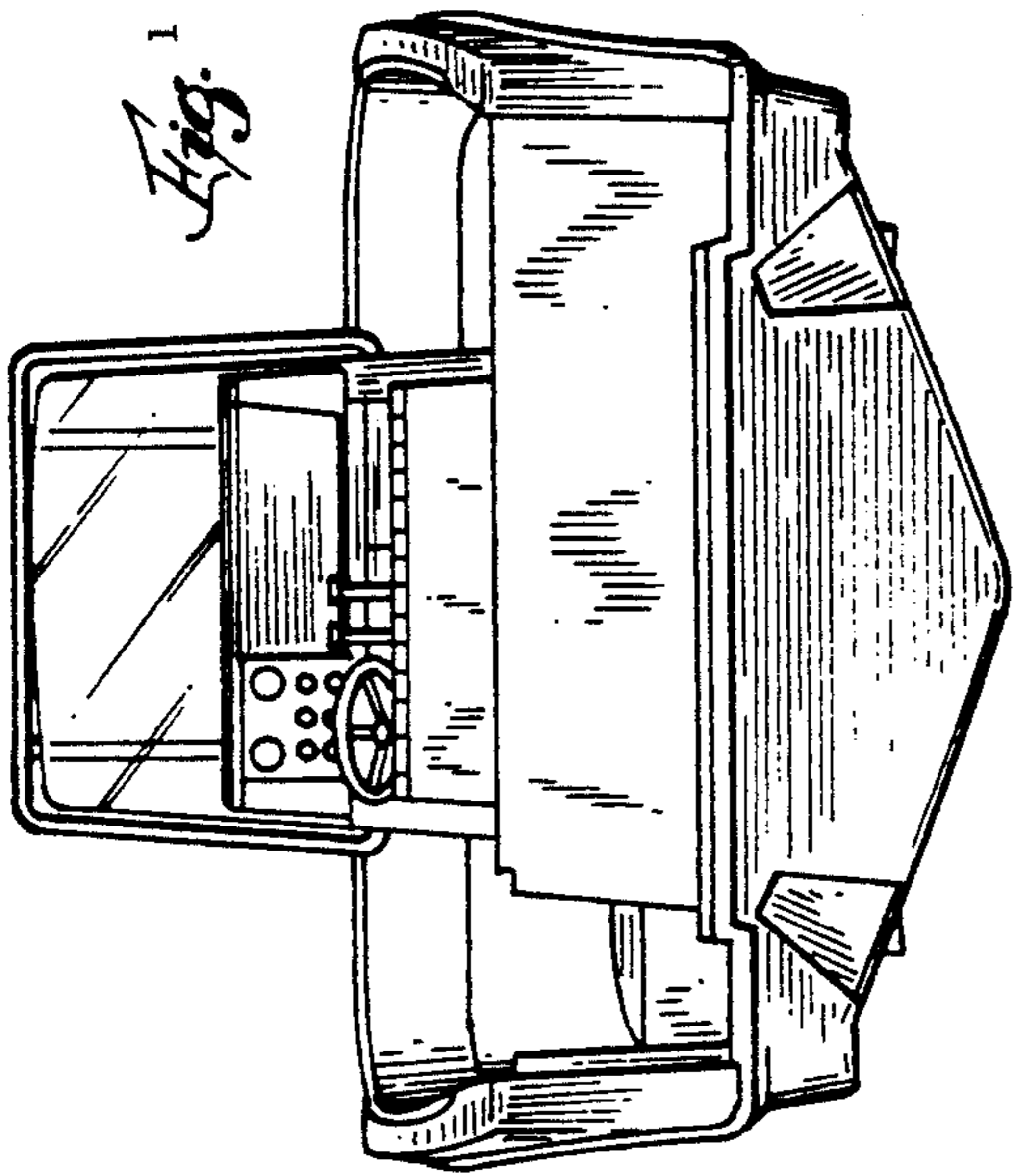
[57] CLAIM

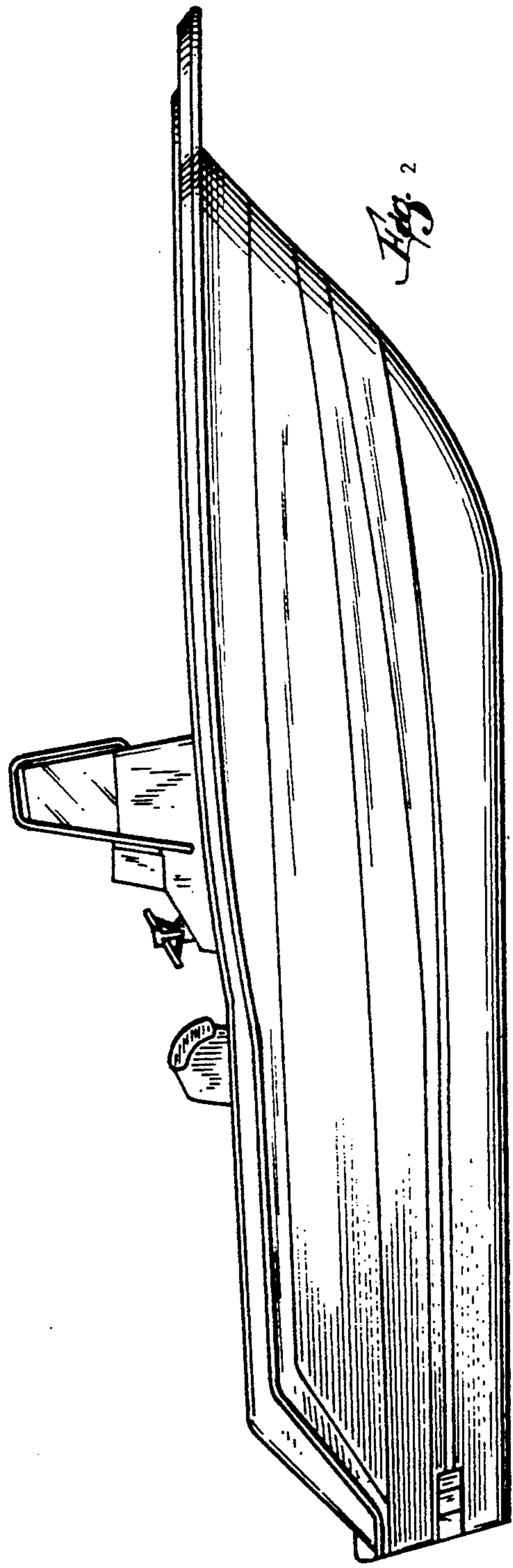
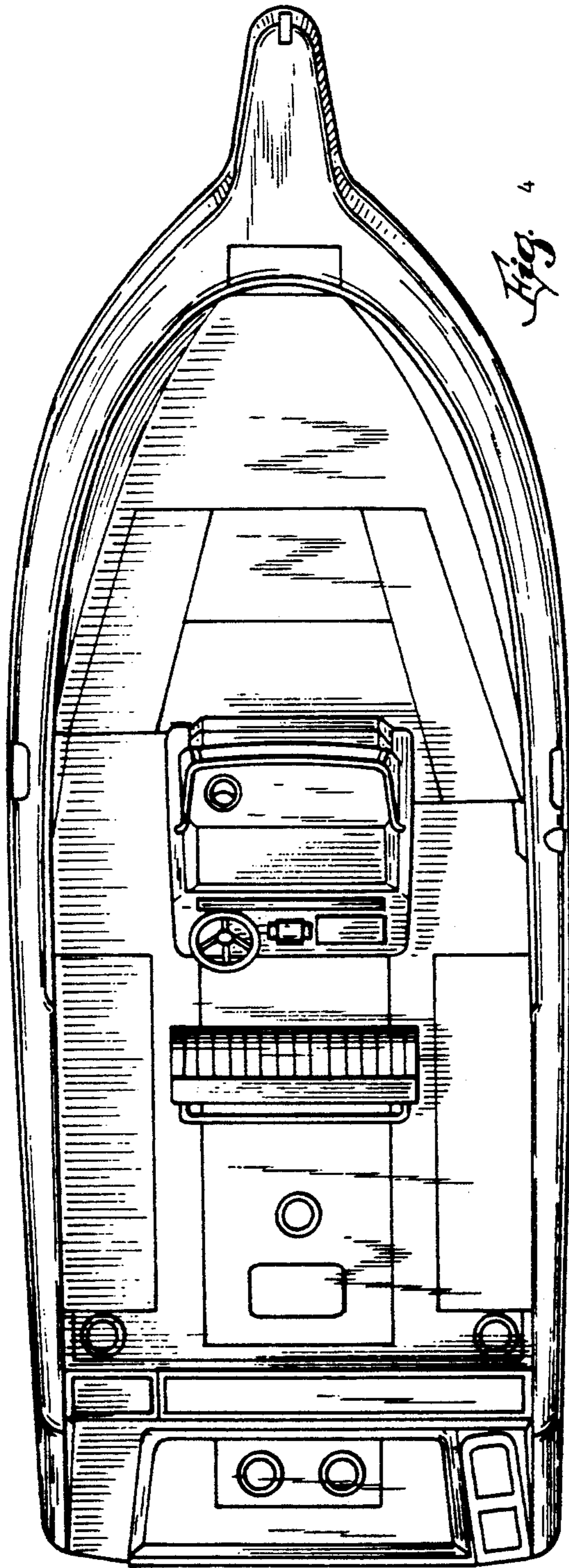
The ornamental design for a recreational boat, as shown and described.

DESCRIPTION

FIG. 1 is a side elevational view of a recreational boat showing our new design, the opposite side elevational view being a mirror image of that shown; FIG. 2 is a top plan view thereof; FIG. 3 is a front elevational view thereof; FIG. 4 is a rear elevational view thereof; FIG. 5 is a bottom plan view thereof; FIG. 6 is a bottom and rear perspective view thereof; and, FIG. 7 is a top and rear perspective view thereof.







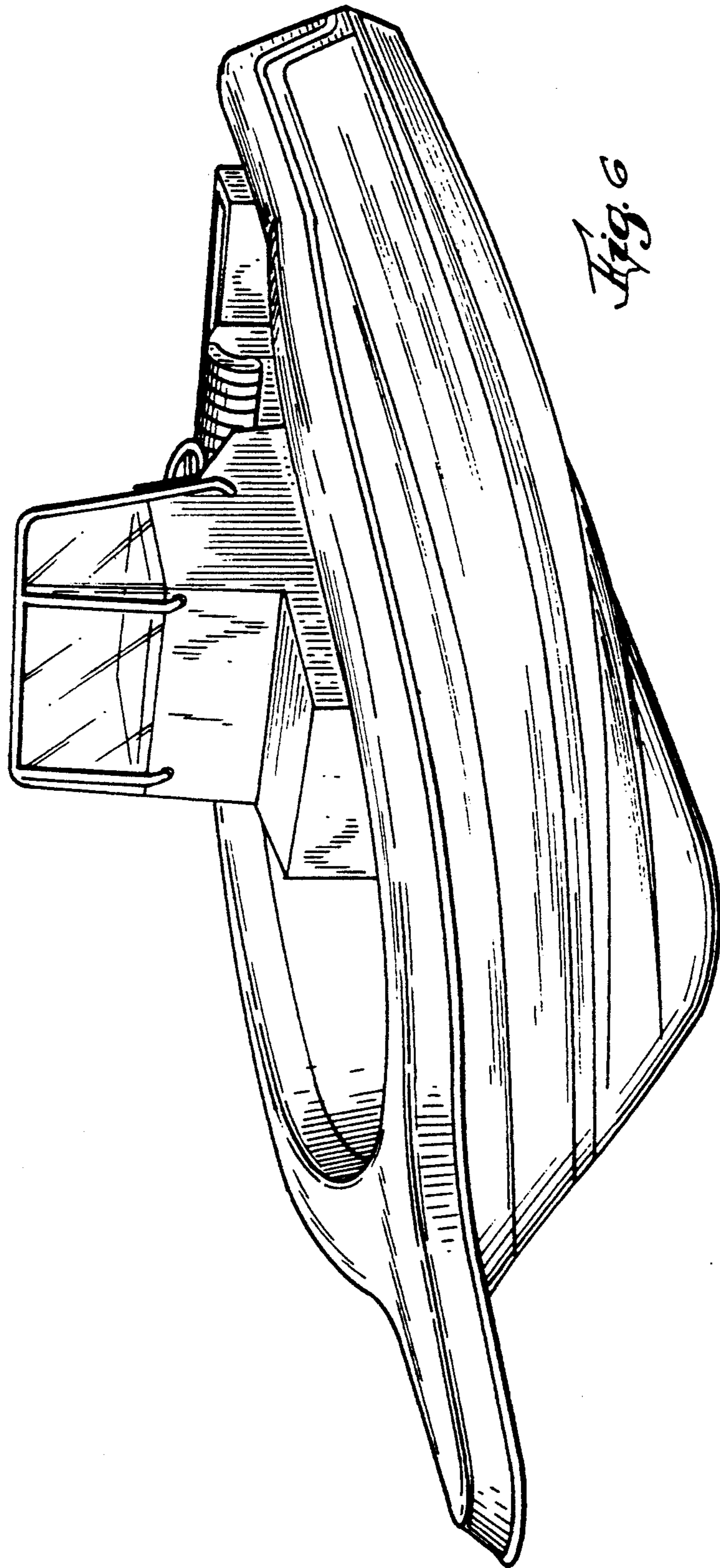


Fig. 6

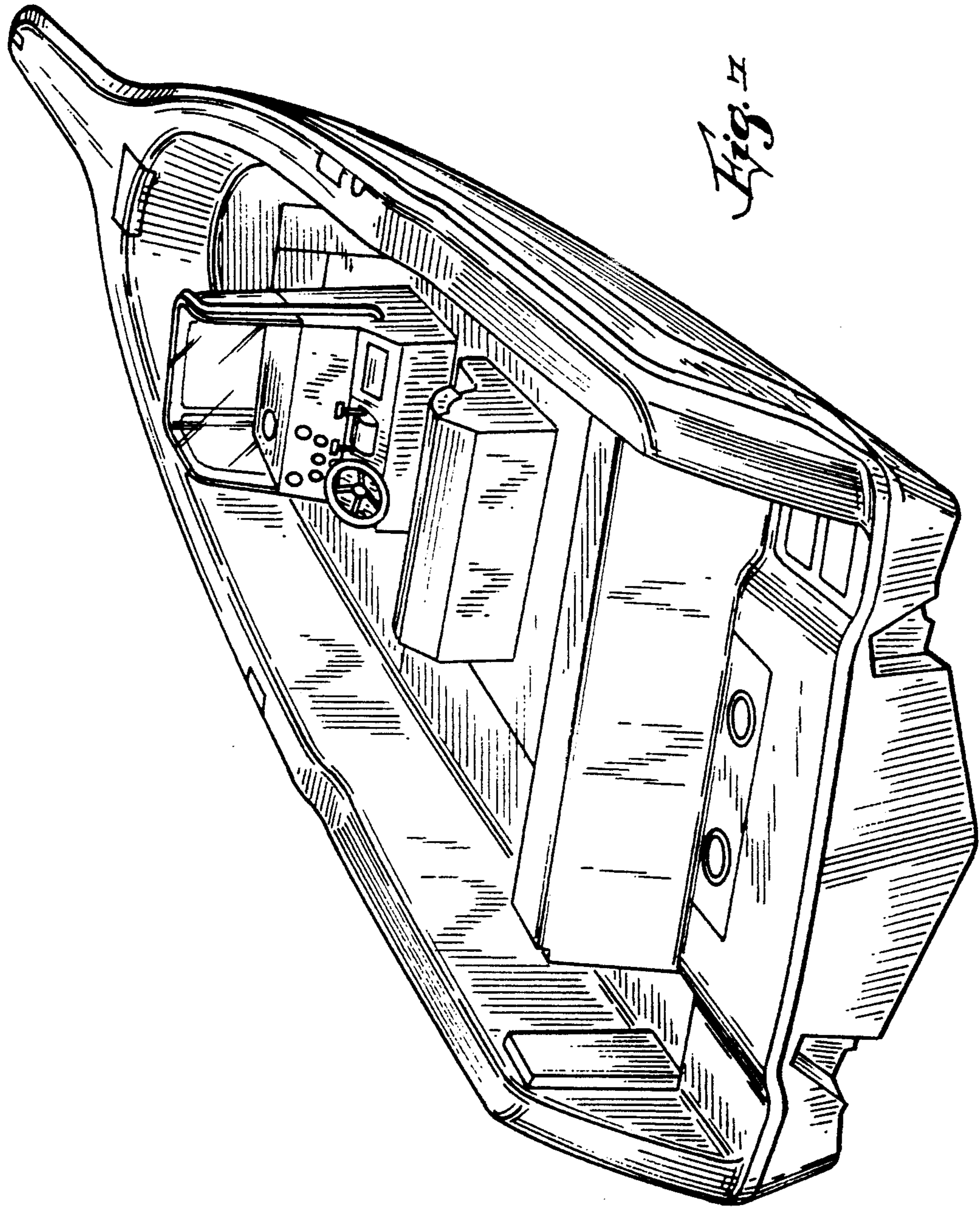


Fig. 17