



US00D336454S

United States Patent [19]

Maxwell

[11] Patent Number: **Des. 336,454**

[45] Date of Patent: **** Jun. 15, 1993**

- [54] TIRE
- [75] Inventor: **Paul B. Maxwell**, Stow, Ohio
- [73] Assignee: **The Goodyear Tire & Rubber Company**, Akron, Ohio
- [**] Term: **14 Years**
- [21] Appl. No.: **786,873**
- [22] Filed: **Oct. 31, 1991**
- [52] U.S. Cl. **D12/147**
- [58] Field of Search **D12/136, 145-151; 152/209 R, 209 A, 209 B, 209 D**

D. 261,130 10/1981 Amarger D12/147

Primary Examiner—James M. Gandy
Attorney, Agent, or Firm—T. P. Lewandowski

[57] CLAIM

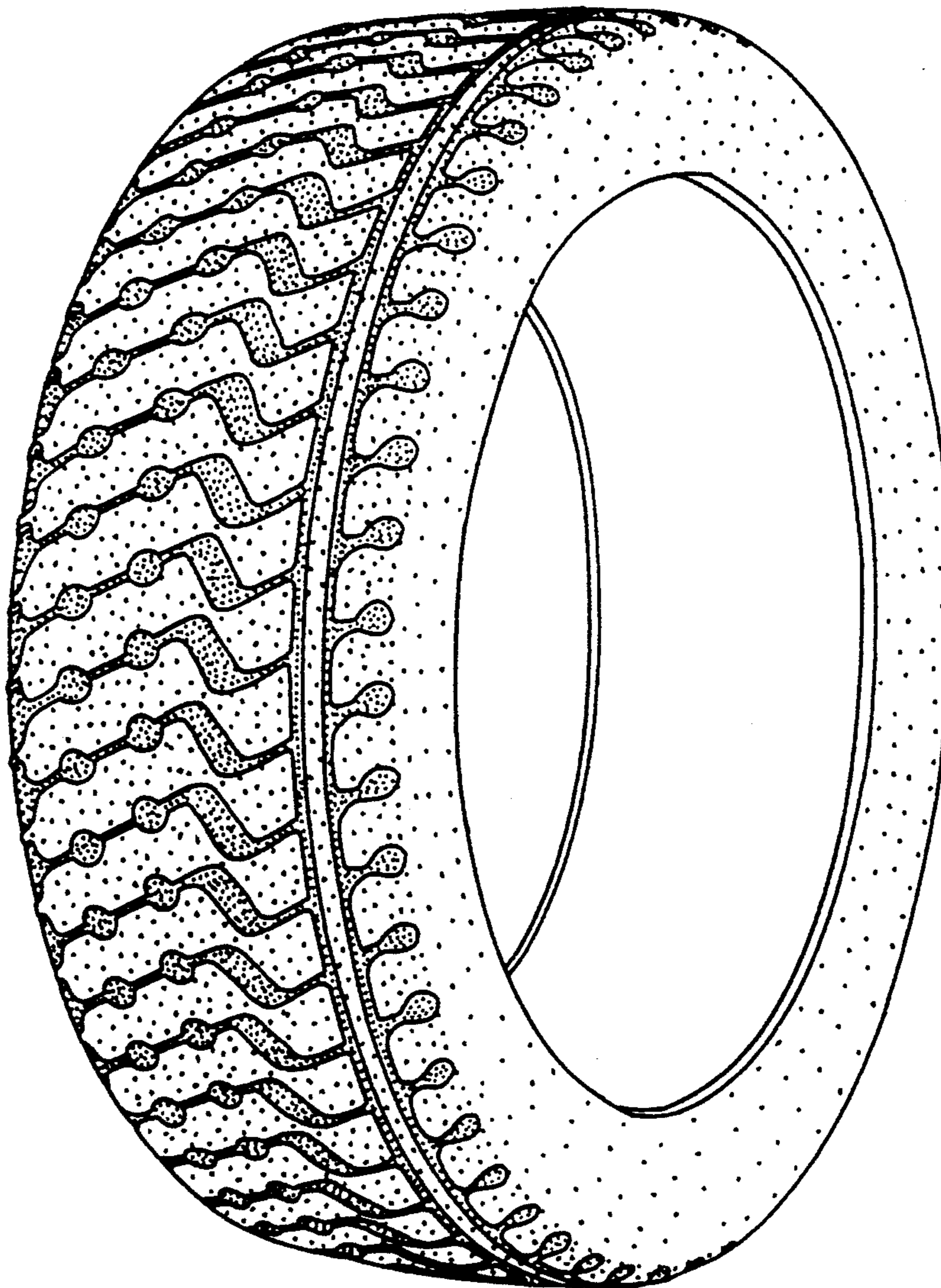
The ornamental design for a tire, as shown and described.

DESCRIPTION

FIG. 1 is a front elevational view of a tire showing my new design;
 FIG. 2 is a perspective view thereof;
 FIG. 3 is another perspective view thereof;
 FIG. 4 is a side elevational view thereof on a reduced scale;
 FIG. 5 is another side elevational view thereof on a reduced scale; and,
 FIG. 6 is an enlarged fragmentary front view thereof.
 The tread pattern is understood to be repeated uniformly throughout the circumference of the tire.

[56] **References Cited**
U.S. PATENT DOCUMENTS

- D. 64,931 6/1924 Paull D12/148
- D. 97,750 12/1935 Yelm et al. D12/146
- D. 259,632 6/1981 Amarger D12/147



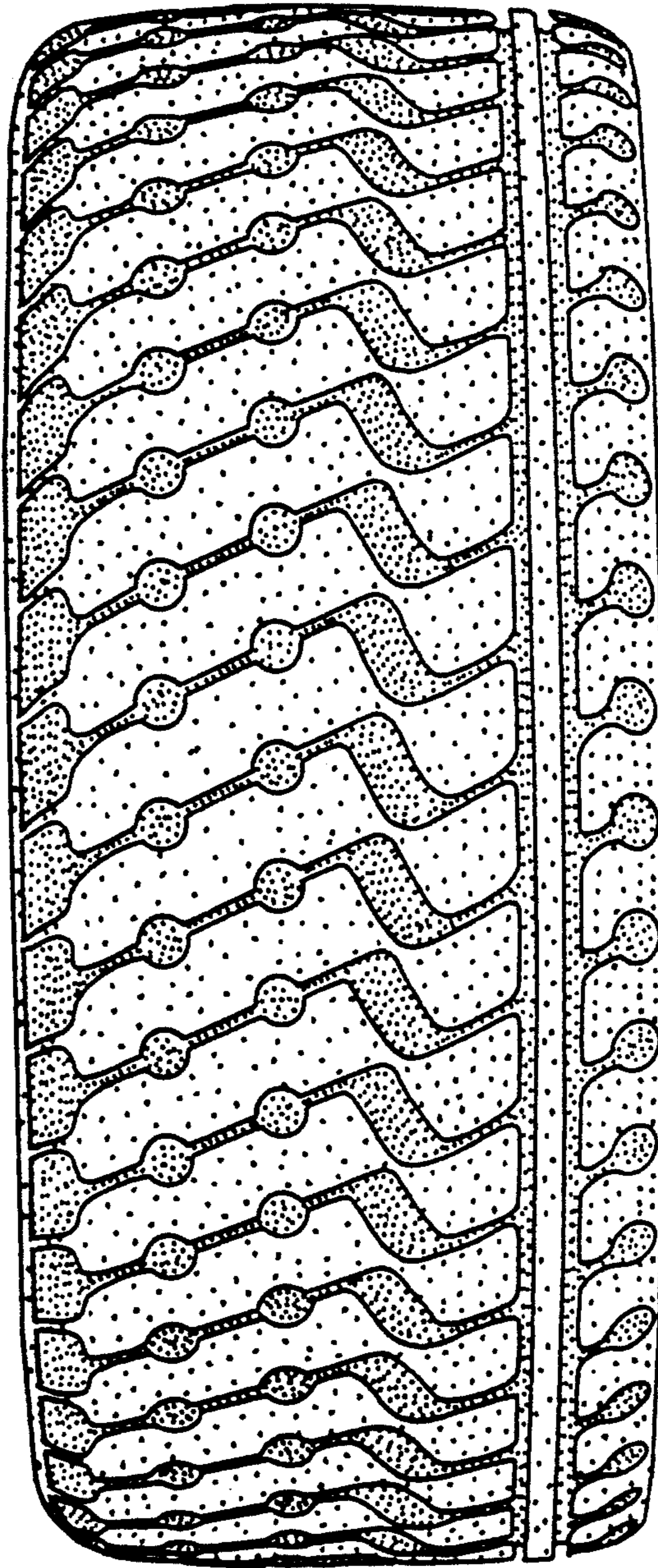


FIG. 1

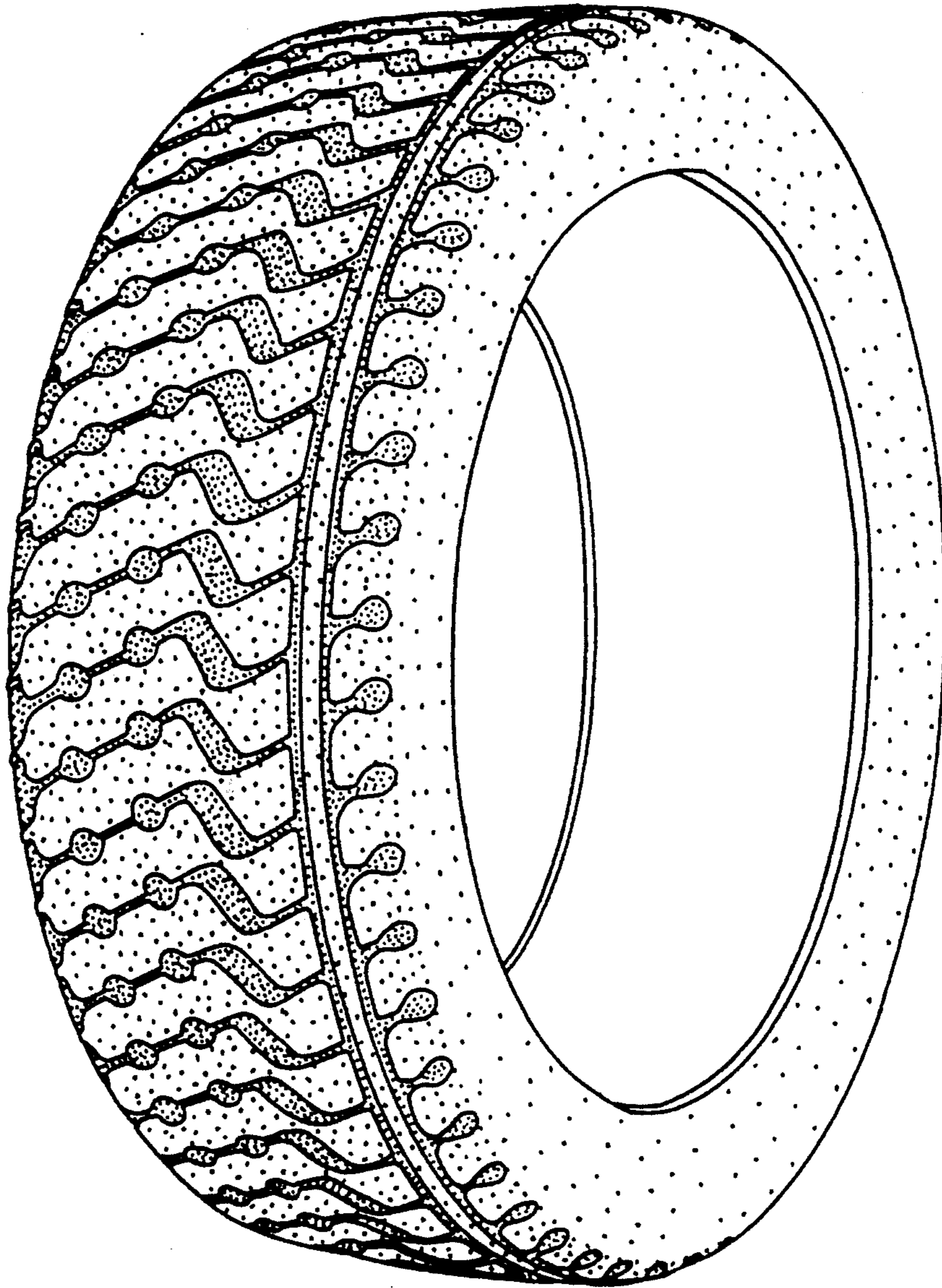


FIG. 2

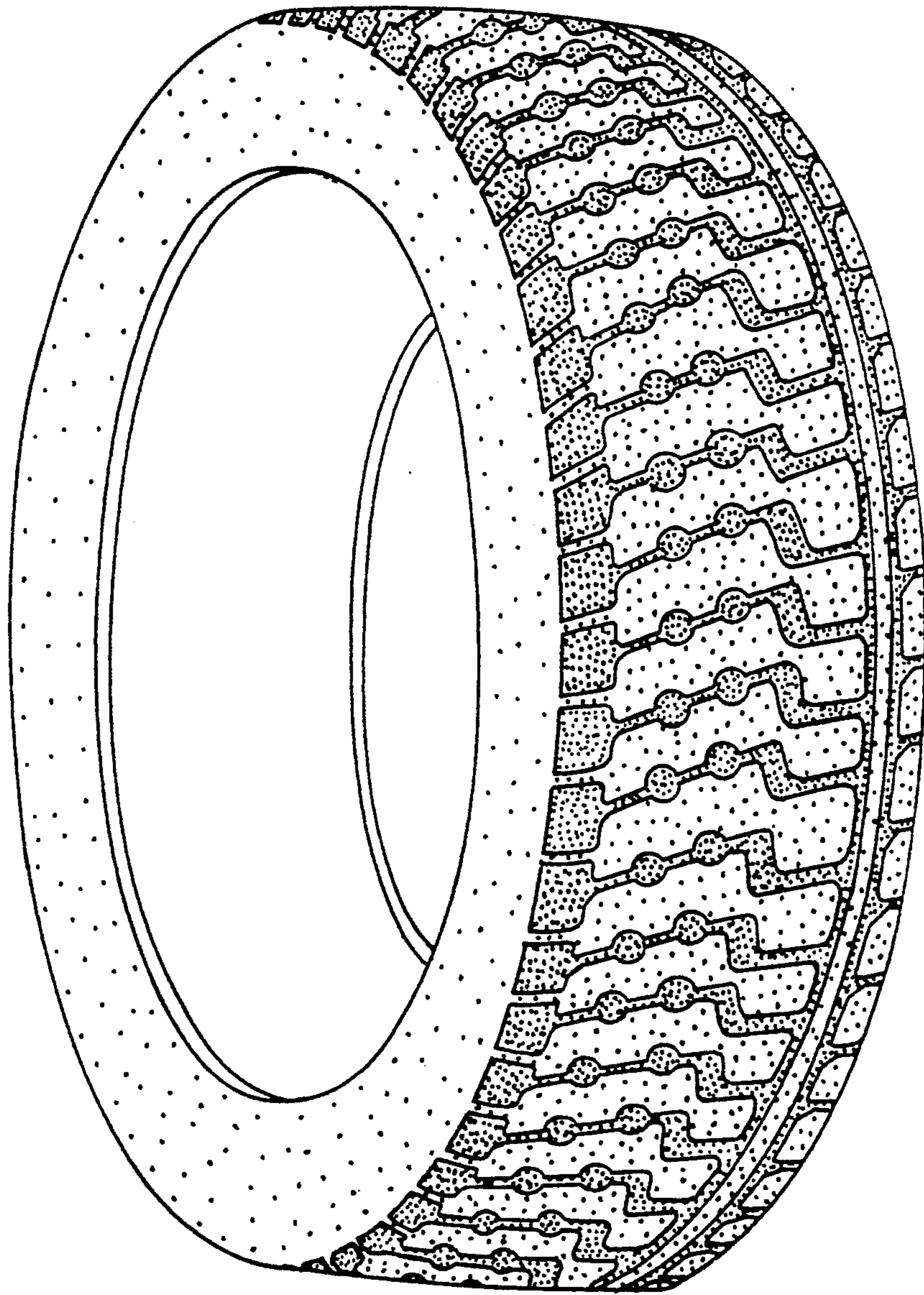


FIG. 3

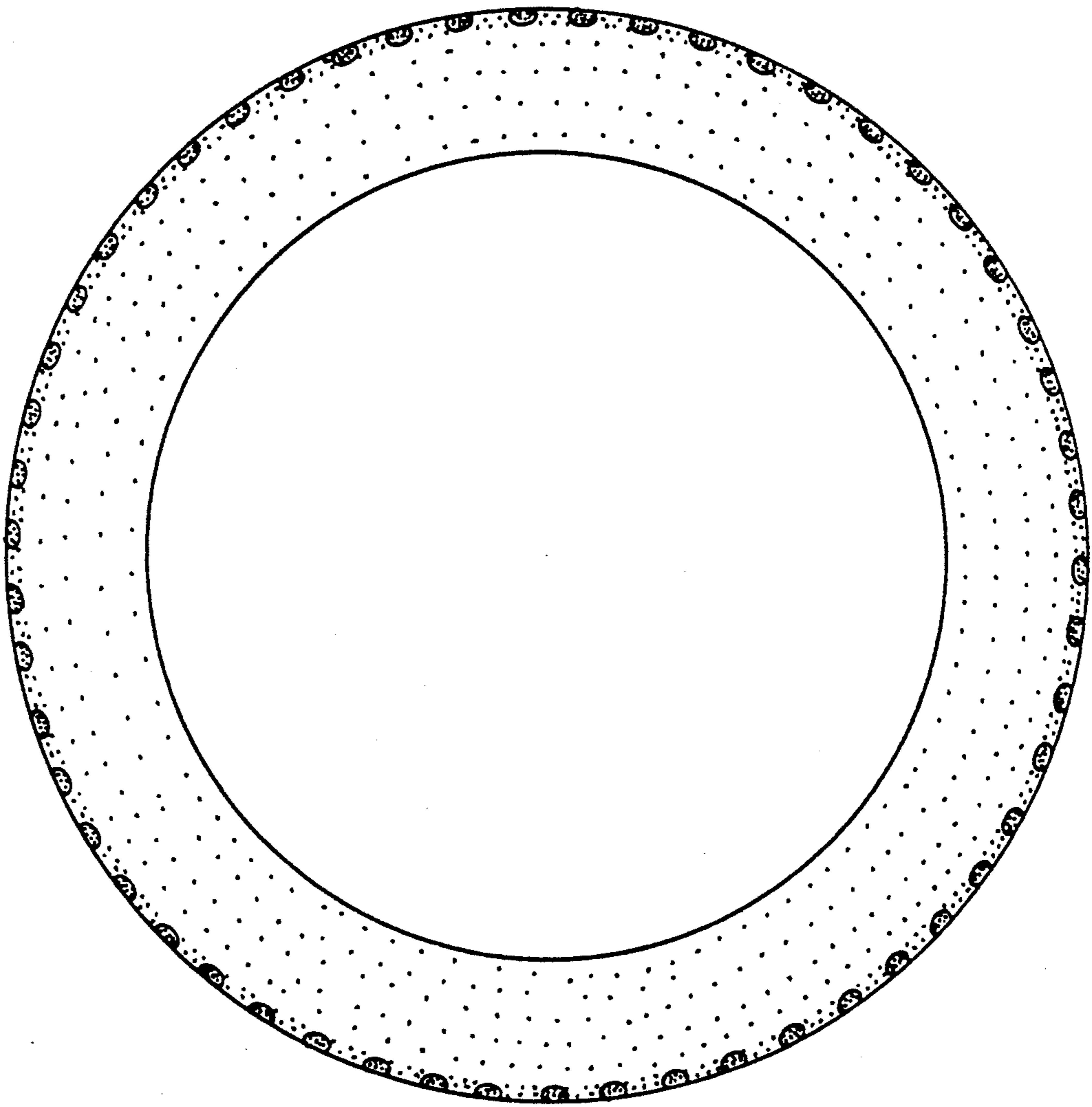


FIG. 4

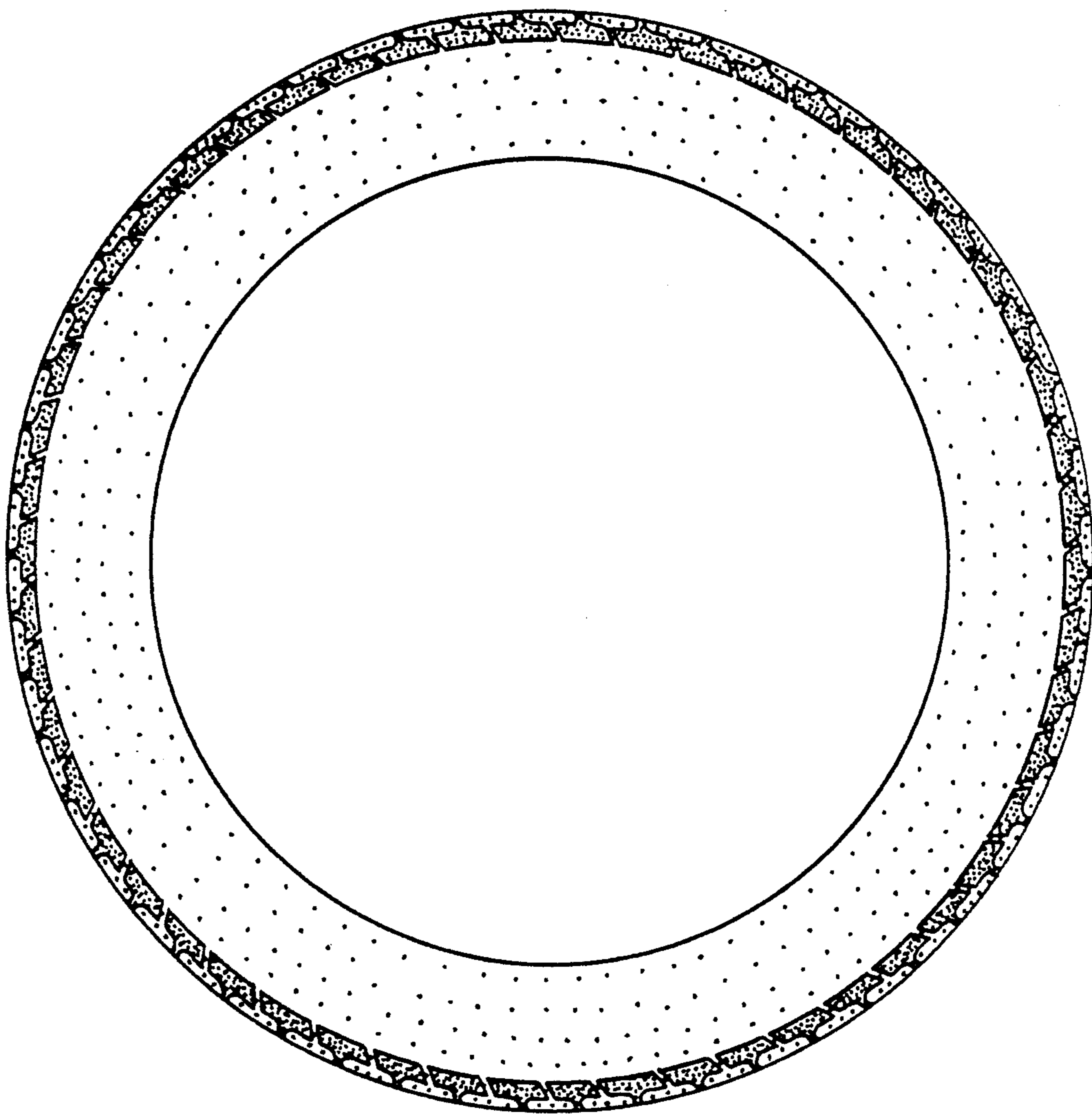


FIG. 5

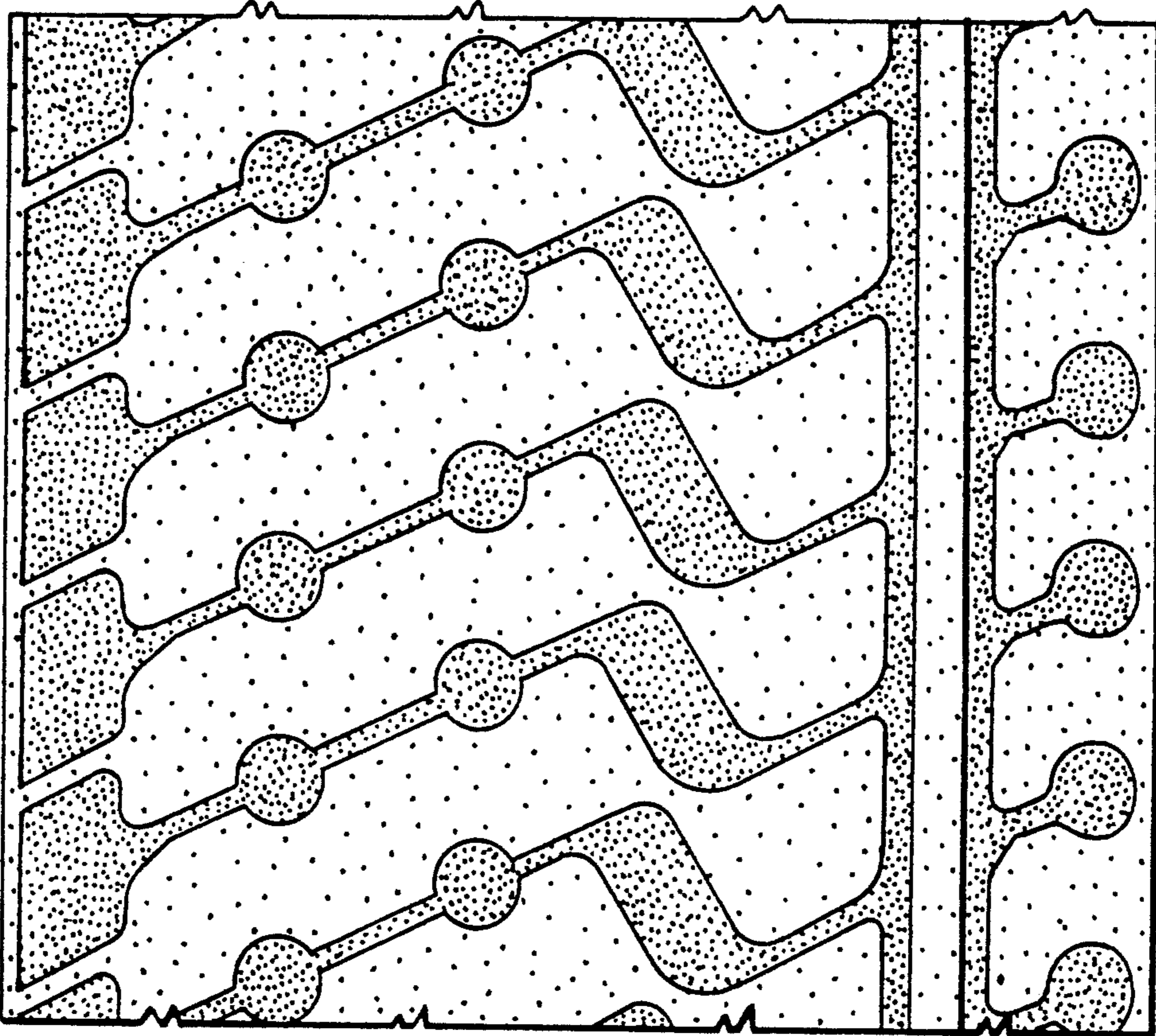


FIG. 6