



US00D336453S

United States Patent [19]
Patel

[11] **Patent Number: Des. 336,453**

[45] **Date of Patent: ** Jun. 15, 1993**

[54] **TIRE TREAD AND BUTTRESS**

[75] **Inventor: Amratlal U. Patel, Colmar-Berg, Luxembourg**

[73] **Assignee: The Goodyear Tire & Rubber Company, Akron, Ohio**

[**] **Term: 14 Years**

[21] **Appl. No.: 734,860**

[22] **Filed: Jul. 24, 1991**

[30] **Foreign Application Priority Data**

Jan. 28, 1991 [XB] Benelux 30621-00

[52] **U.S. Cl. D12/146**

[58] **Field of Search D12/136, 137, 146-151; 152/209 R, 209 B, 209 D**

[56] **References Cited**

U.S. PATENT DOCUMENTS

D. 239,765	5/1976	Yahagi et al.	D12/142
D. 288,078	2/1987	Hasegawa	D12/142
D. 288,190	2/1987	Hayakawa	D12/147
D. 308,188	5/1990	Hinrichsen et al.	D12/146
D. 311,889	11/1990	Guermendi et al.	D12/146

OTHER PUBLICATIONS

1990 Tread Design Guide, p. 102, Cooper SRM Radial LT Tire, bottom left side of page.

1990 Tread Design Guide, p. 124, Marshal Radial PowerGuard 821 Tire, second row down from top, right side of page.

Primary Examiner—James M. Gandy

Attorney, Agent, or Firm—T. P. Lewandowski

[57] **CLAIM**

The ornamental design for a tire tread and buttress, as shown and described.

DESCRIPTION

FIG. 1 is a perspective view of a tire tread and buttress showing my new design;

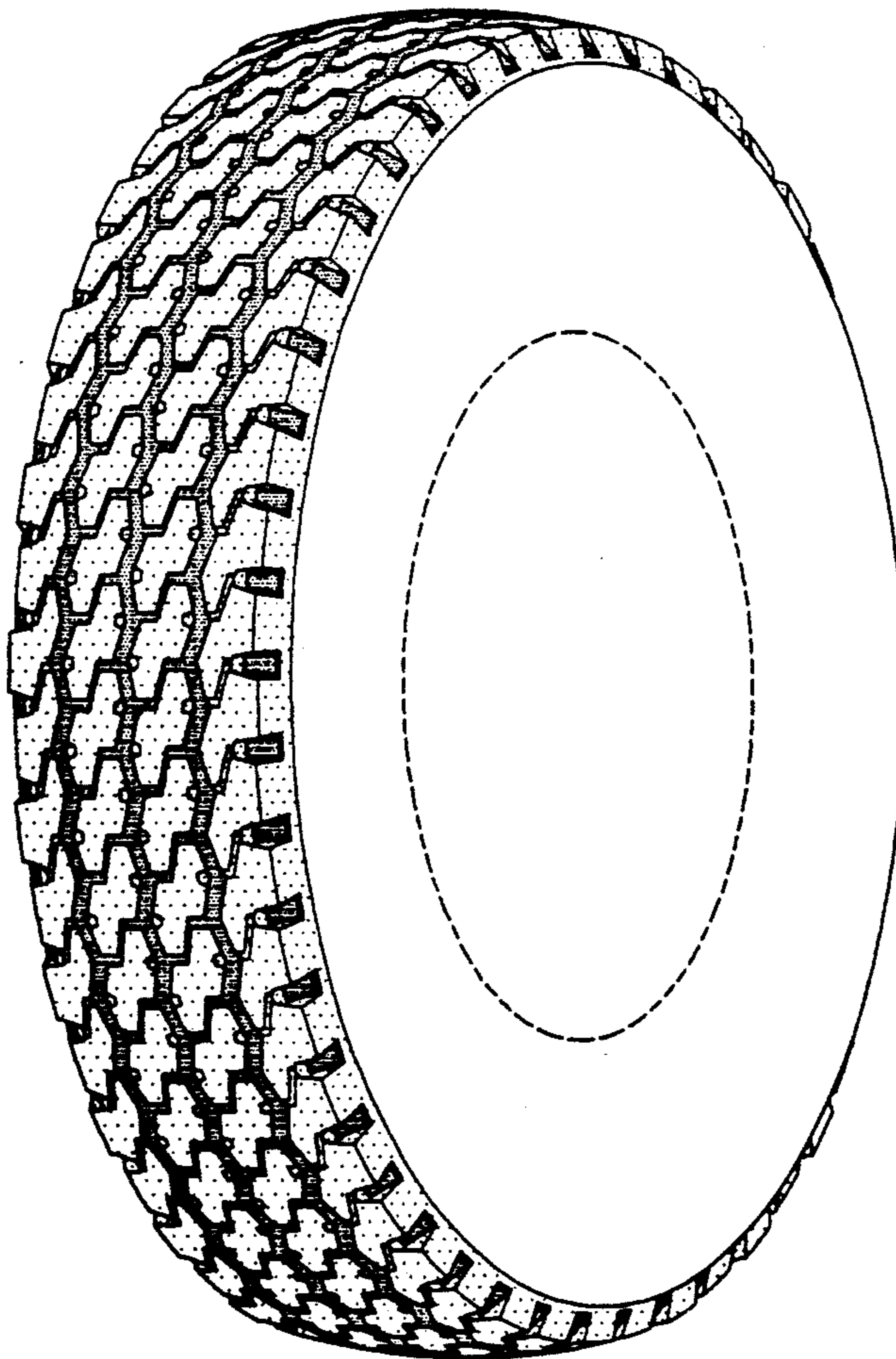
FIG. 2 is a front elevational view thereof;

FIG. 3 is a side elevational view thereof; and,

FIG. 4 is an enlarged fragmentary front elevational view thereof.

The pattern is understood to be repeated uniformly throughout the circumference of the tire tread and buttress.

The broken line showing of the tire sidewall in all views of the drawing is for illustrative purposes only and forms no part of the claimed design.



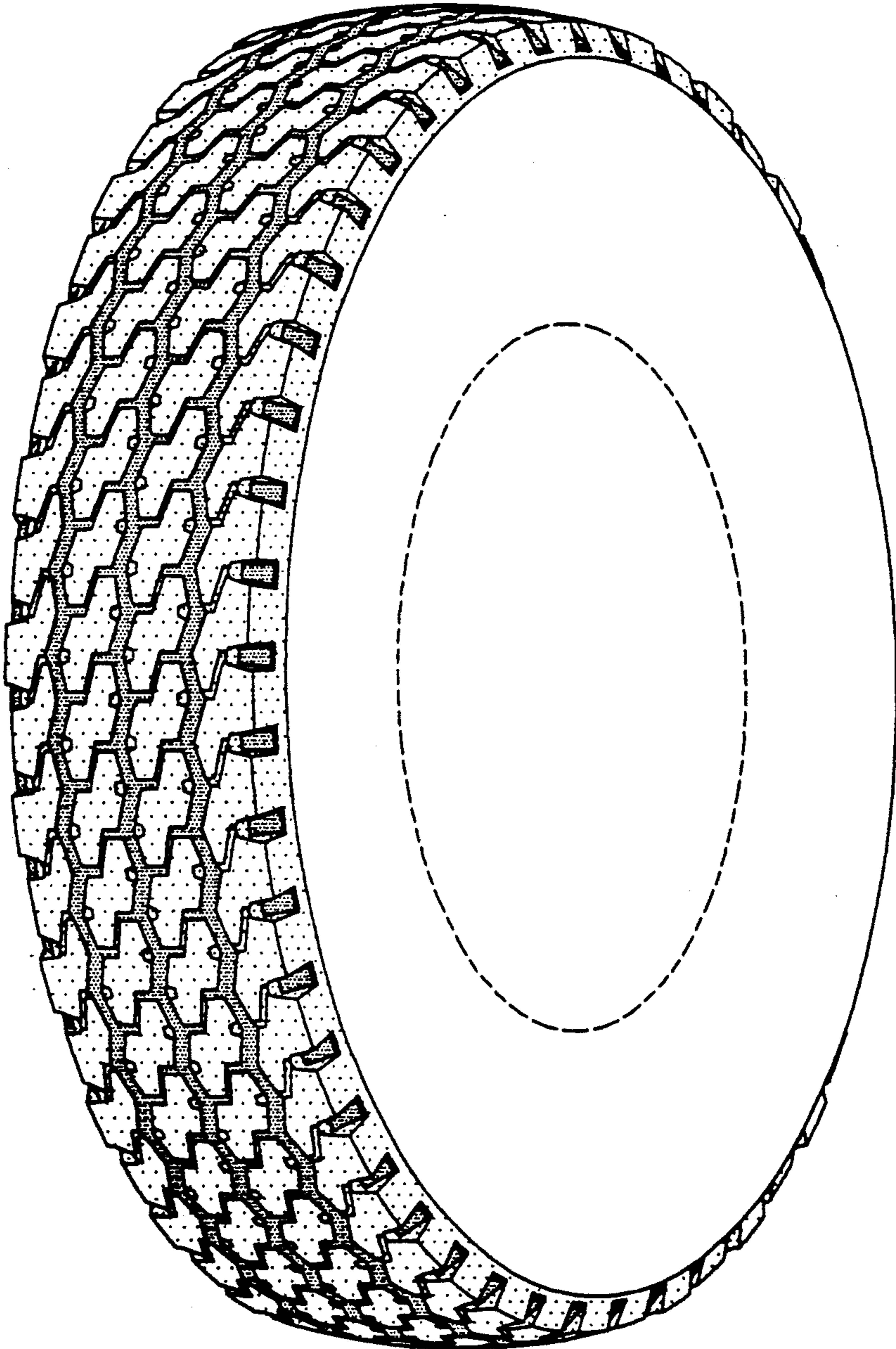


FIG-1

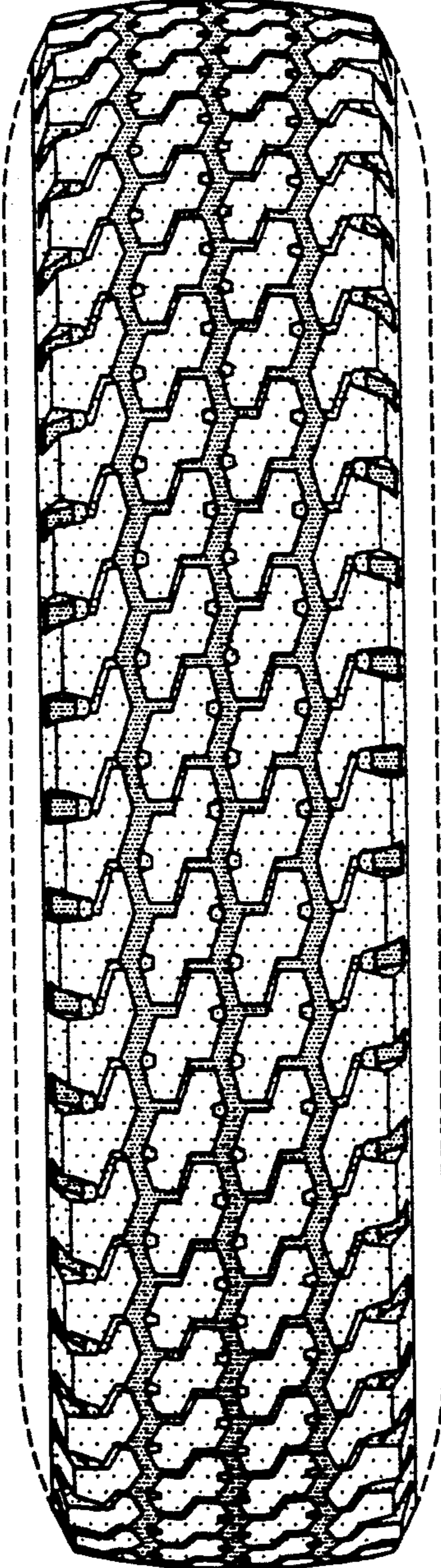


FIG-2

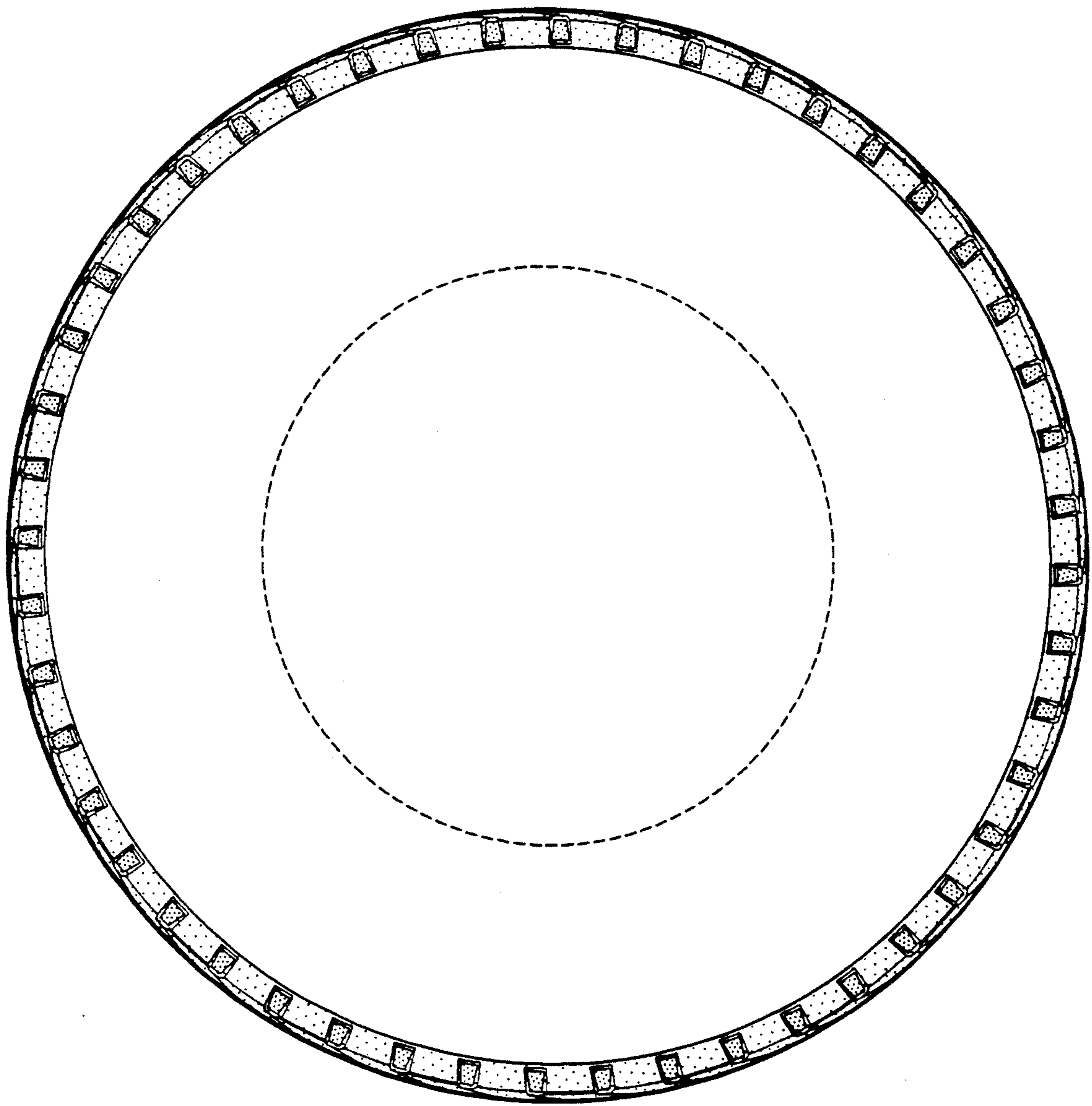


FIG-3

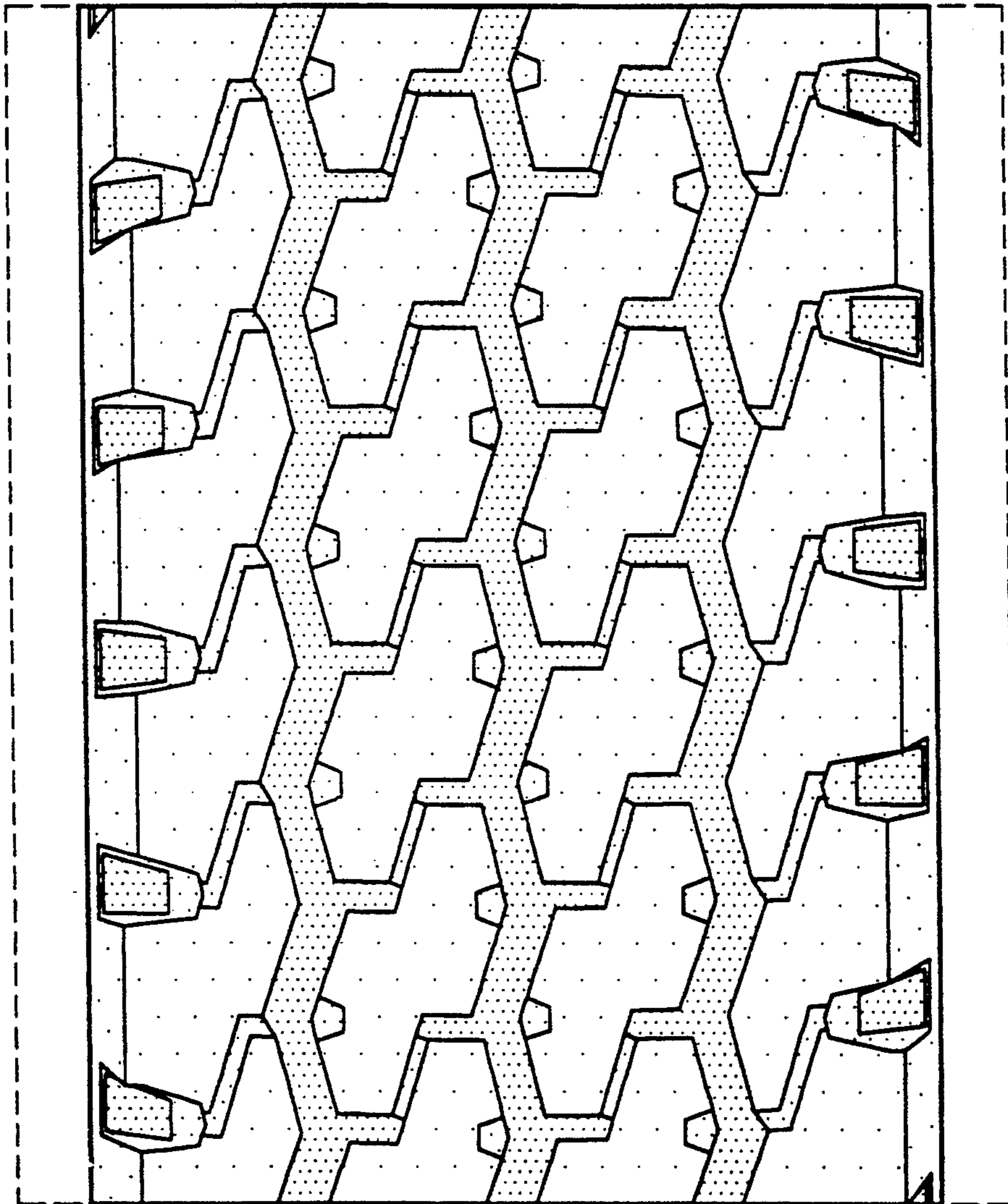


FIG-4