



US00D336452S

**United States Patent** [19]  
**Holm-Rasmussen**

[11] **Patent Number: Des. 336,452**  
[45] **Date of Patent: \*\* Jun. 15, 1993**

[54] **ELECTRIC SPORTS WHEELCHAIR**

[56] **References Cited**

[76] **Inventor: Mogens Holm-Rasmussen, Primulvej  
6, 4340 Tollose, Denmark**

**U.S. PATENT DOCUMENTS**

5,028,064 7/1991 Johnson ..... 280/250.1

[\*\*] **Term: 14 Years**

*Primary Examiner—Kay H. Chin*  
*Attorney, Agent, or Firm—Brooks & Kushman*

[21] **Appl. No.: 770,307**

[57] **CLAIM**

The ornamental design for an electric sports wheel-  
chair, as shown and described.

[22] **Filed: Oct. 3, 1991**

[52] **U.S. Cl. .... D12/131; D12/128**

[58] **Field of Search ..... D12/131, 128; 180/907,  
180/908; 280/250.1; 297/DIG. 4**

**DESCRIPTION**

FIG. 1 is a side view of an embodiment of an electric  
sports wheelchair showing my new design;  
FIG. 2 is a front view of the embodiment of the design;  
FIG. 3 is a front perspective view thereof; and,  
FIG. 4 is a top plan view thereof.

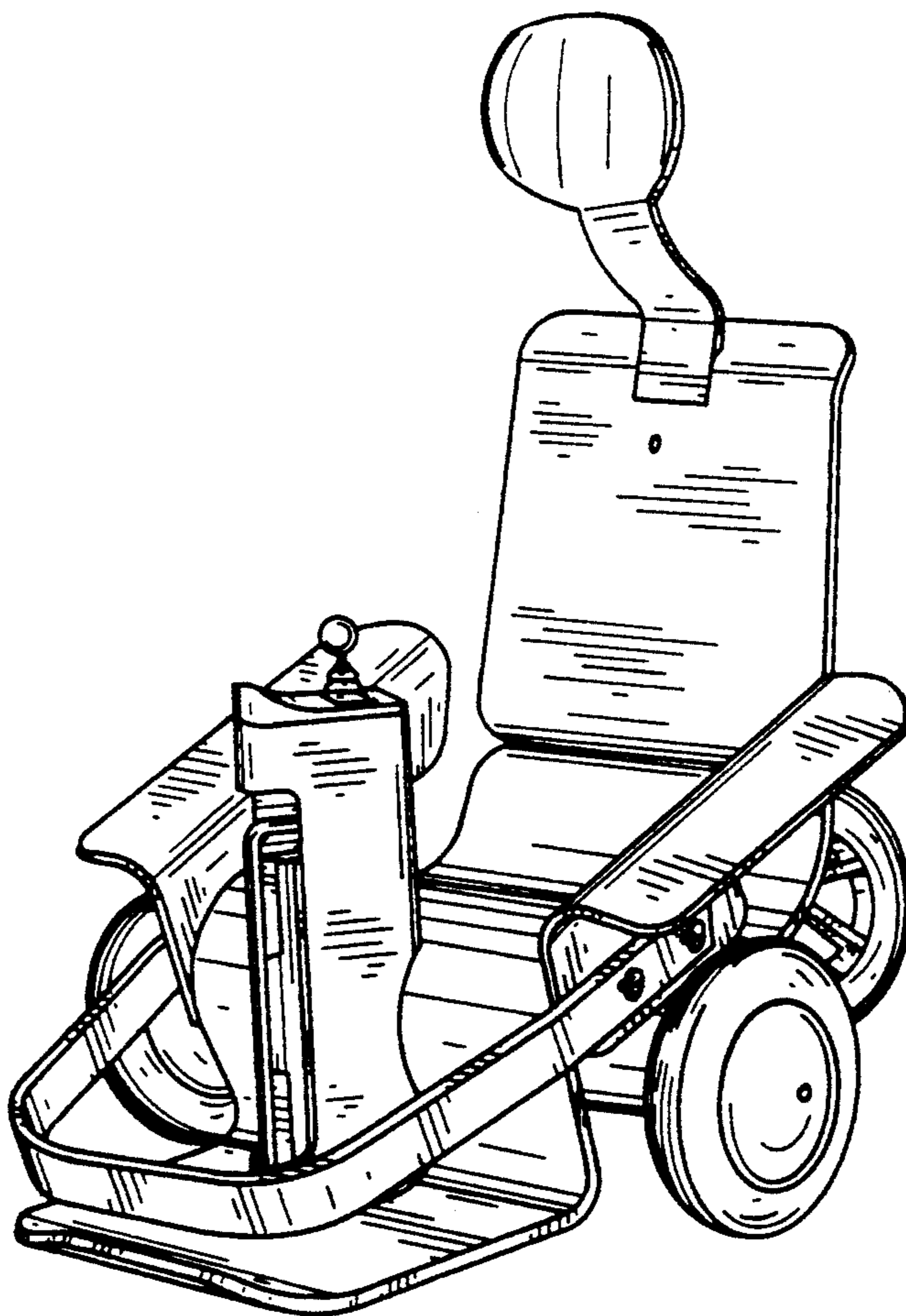


FIG. 1

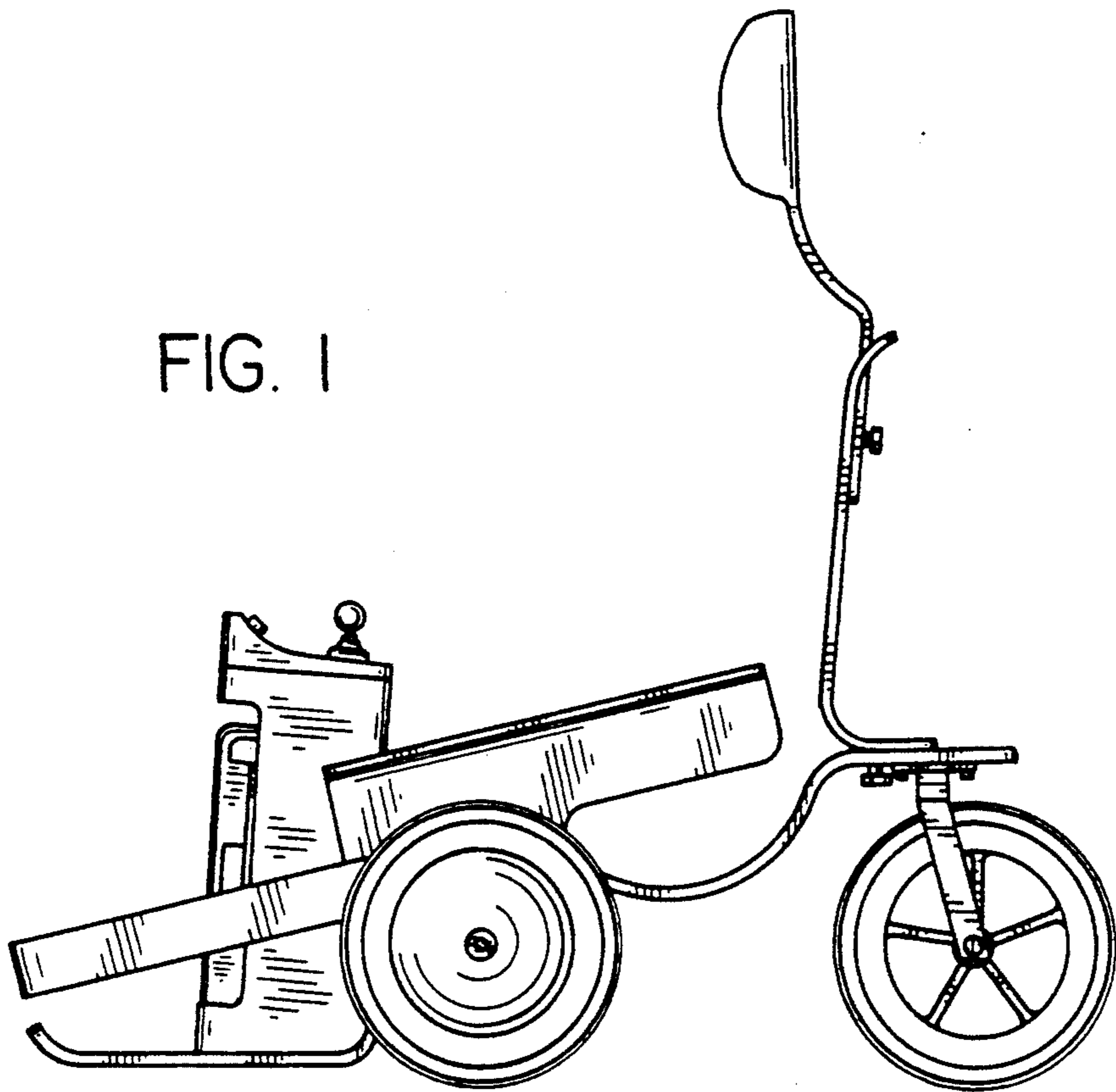


FIG. 2

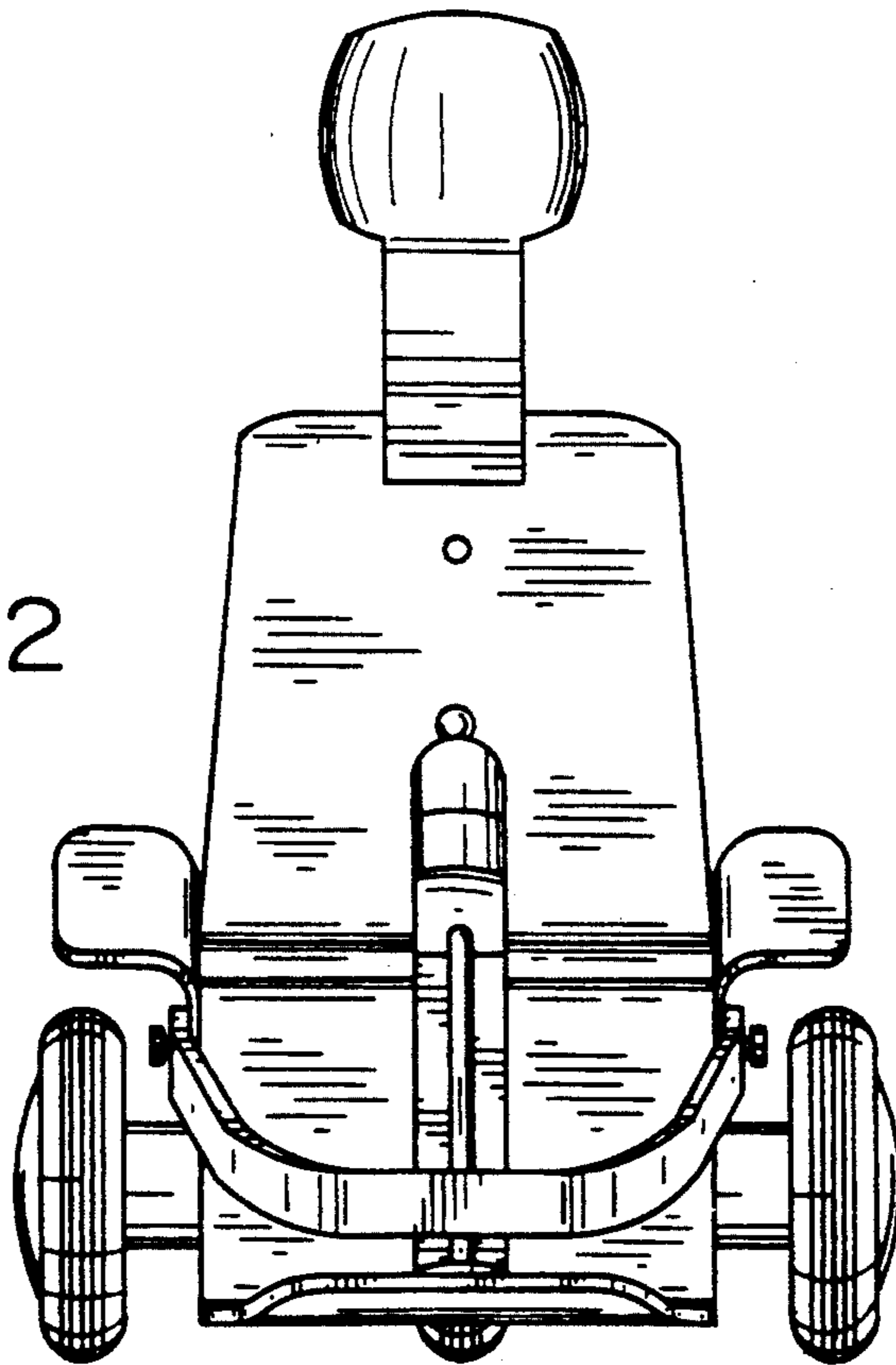


FIG. 3

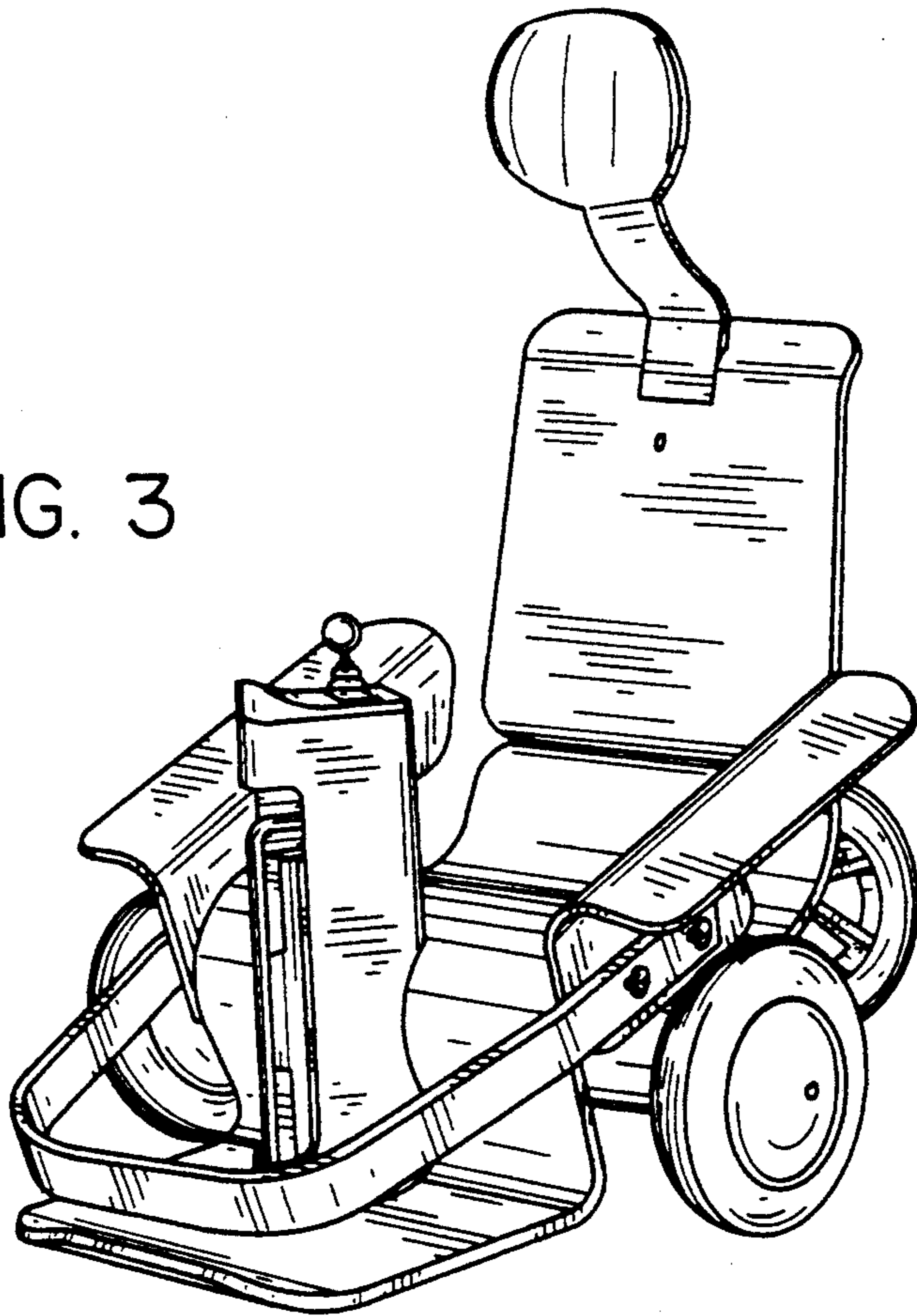


FIG. 4

