



US00D336451S

United States Patent [19]

[11] Patent Number: **Des. 336,451**

Huebner

[45] Date of Patent: **** Jun. 15, 1993**

[54] **MOTORCYCLE CRANKCASE COVER**

4,967,867 11/1990 Fuller 180/219

[75] Inventor: **Richard R. Huebner**, New Berlin, Wis.

[73] Assignee: **Harley-Davidson, Inc.**, Milwaukee, Wis.

[**] Term: **14 Years**

[21] Appl. No.: **652,261**

[22] Filed: **Feb. 7, 1991**

[52] U.S. Cl. **D12/126**

[58] Field of Search **D12/126, 110; 150/311, 150/219; 296/901; 280/152.2**

[56] **References Cited**

U.S. PATENT DOCUMENTS

- D. 294,131 2/1988 Stahel D12/126
- D. 294,685 3/1988 Opitz D12/126
- 4,690,236 9/1987 Shinozaki et al. 180/311

OTHER PUBLICATIONS

Choppers, Dec. 1980, p. 65, the Tefco sprocket covers.

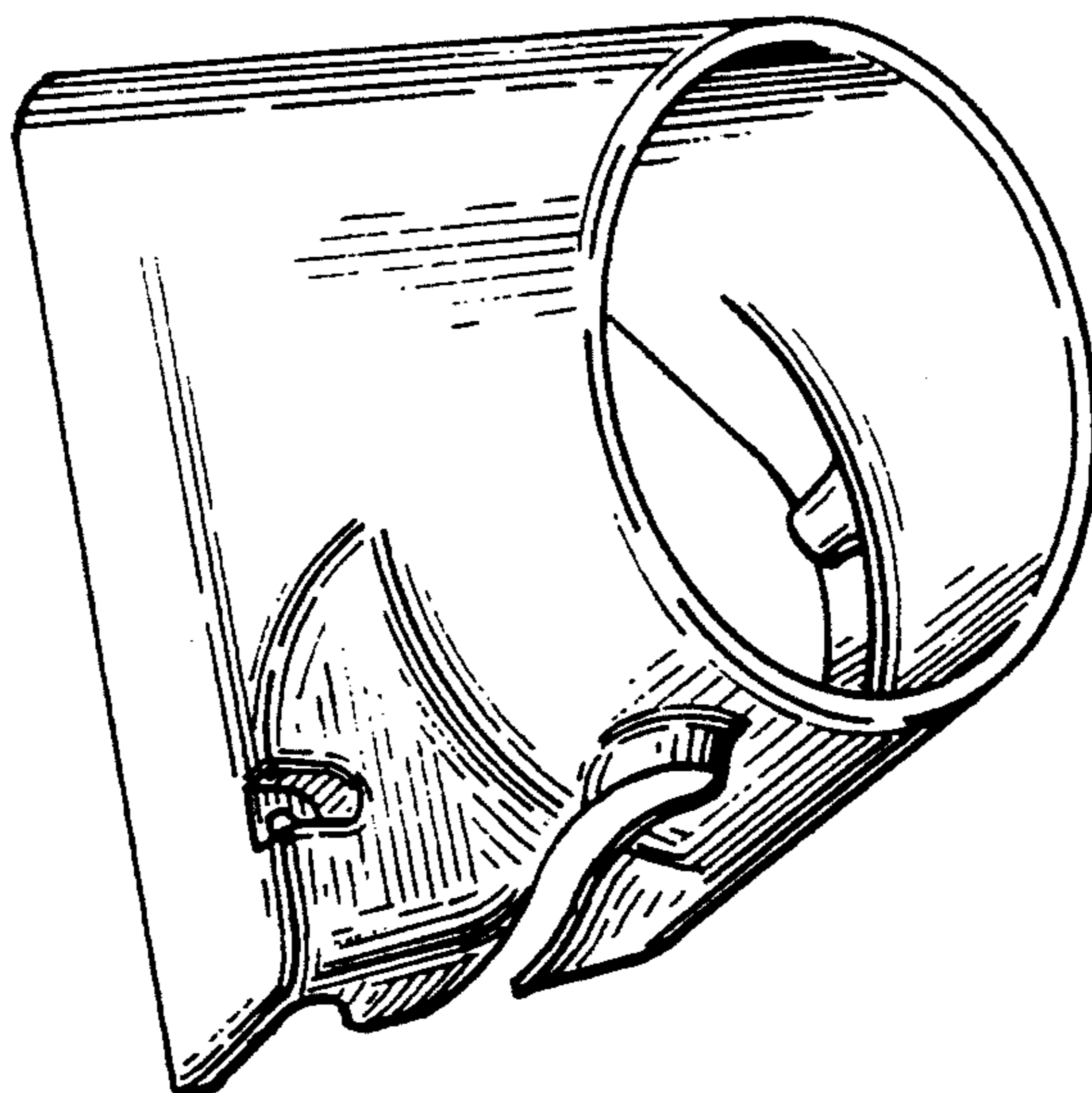
Primary Examiner—Wallace R. Burke
Assistant Examiner—Melody Brown
Attorney, Agent, or Firm—Michael, Best & Friedrich

[57] **CLAIM**

The ornamental design for a motorcycle crankcase cover, as shown and described.

DESCRIPTION

FIG. 1 is a perspective view of a motorcycle crankcase cover or showin my new design; FIG. 2 is a left side view thereof; FIG. 3 is a right side view thereof; FIG. 4 is a front view thereof; FIG. 5 is a top view thereof; FIG. 6 is a bottom view thereof; and, FIG. 7 is a back view thereof.



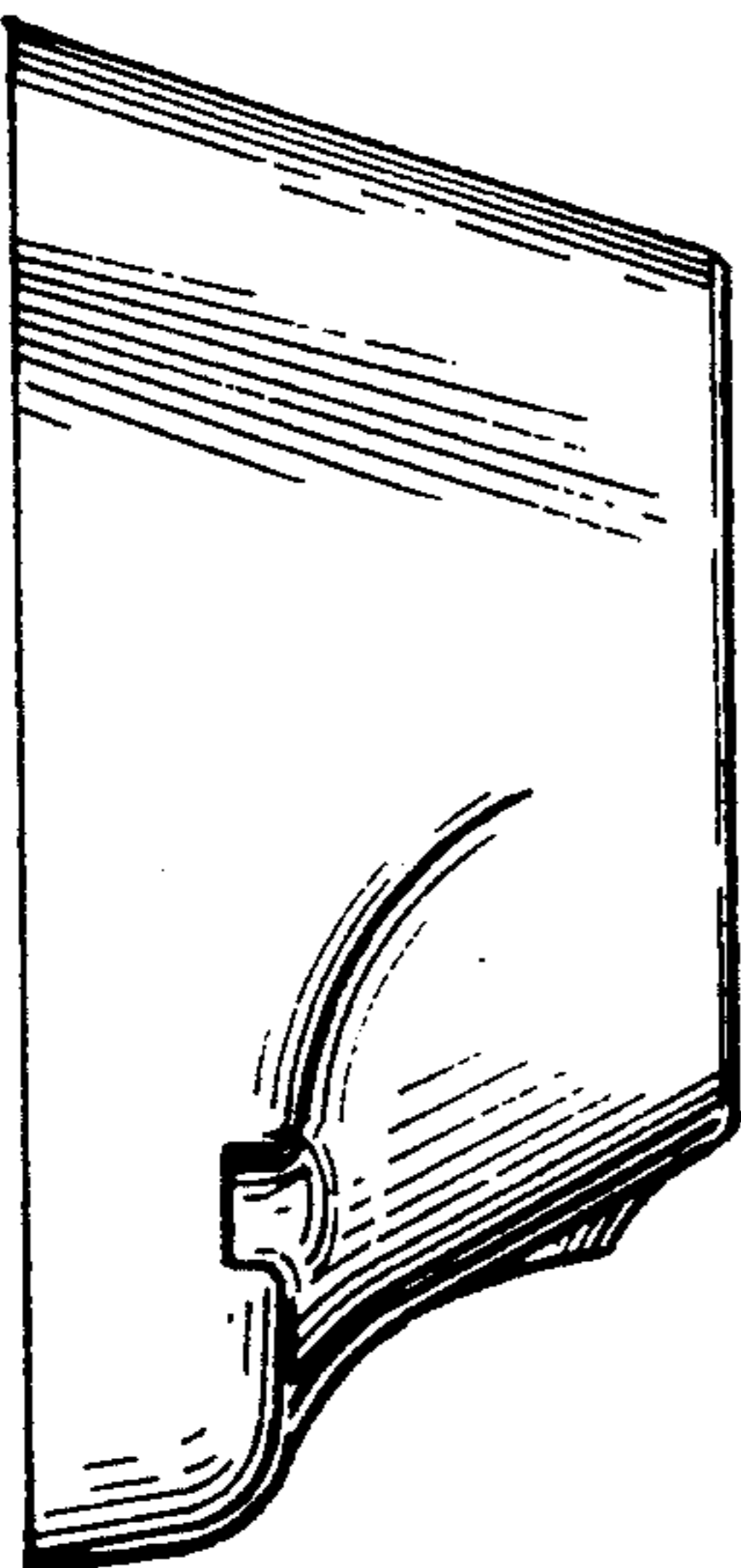
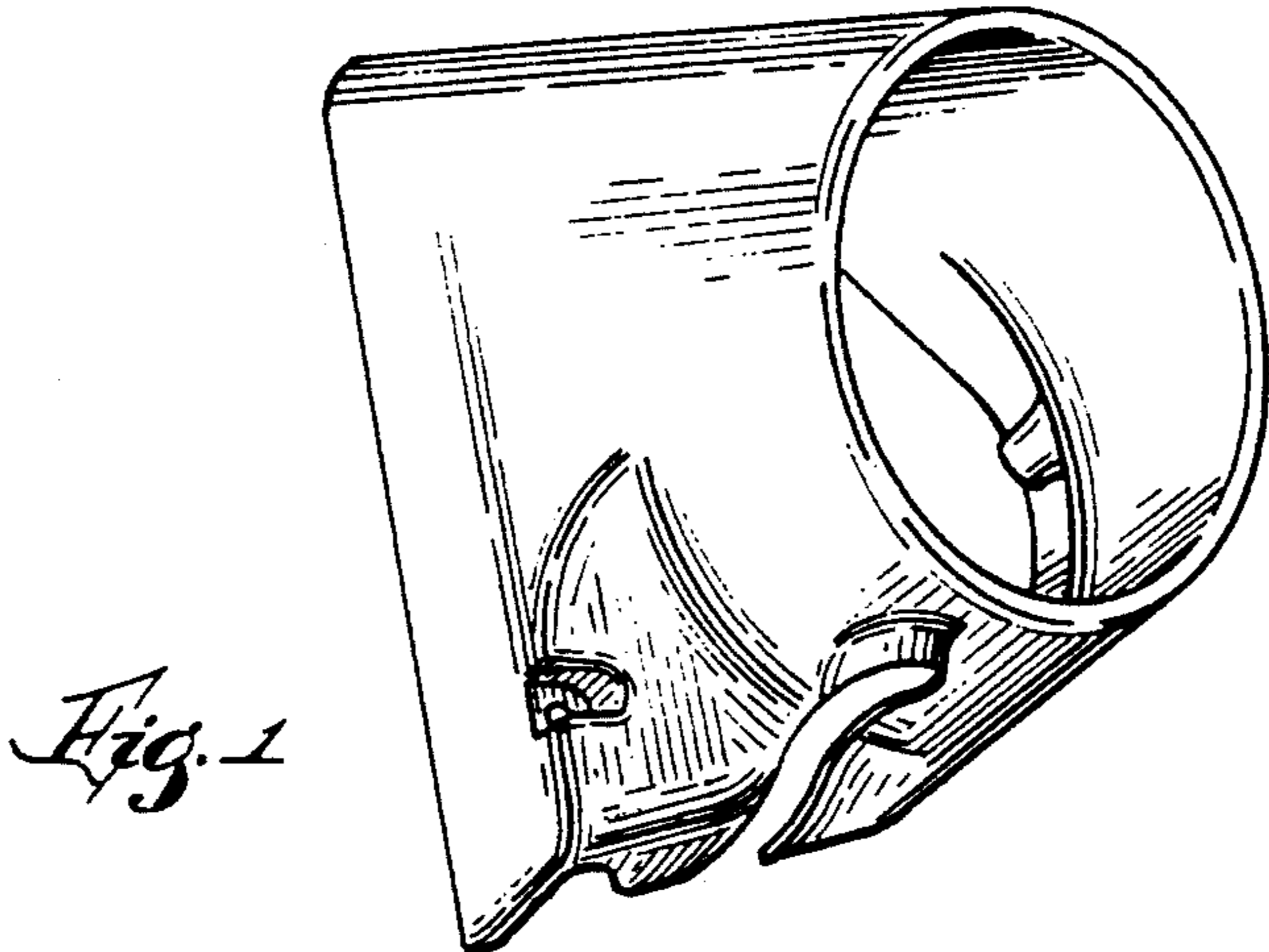


Fig. 2

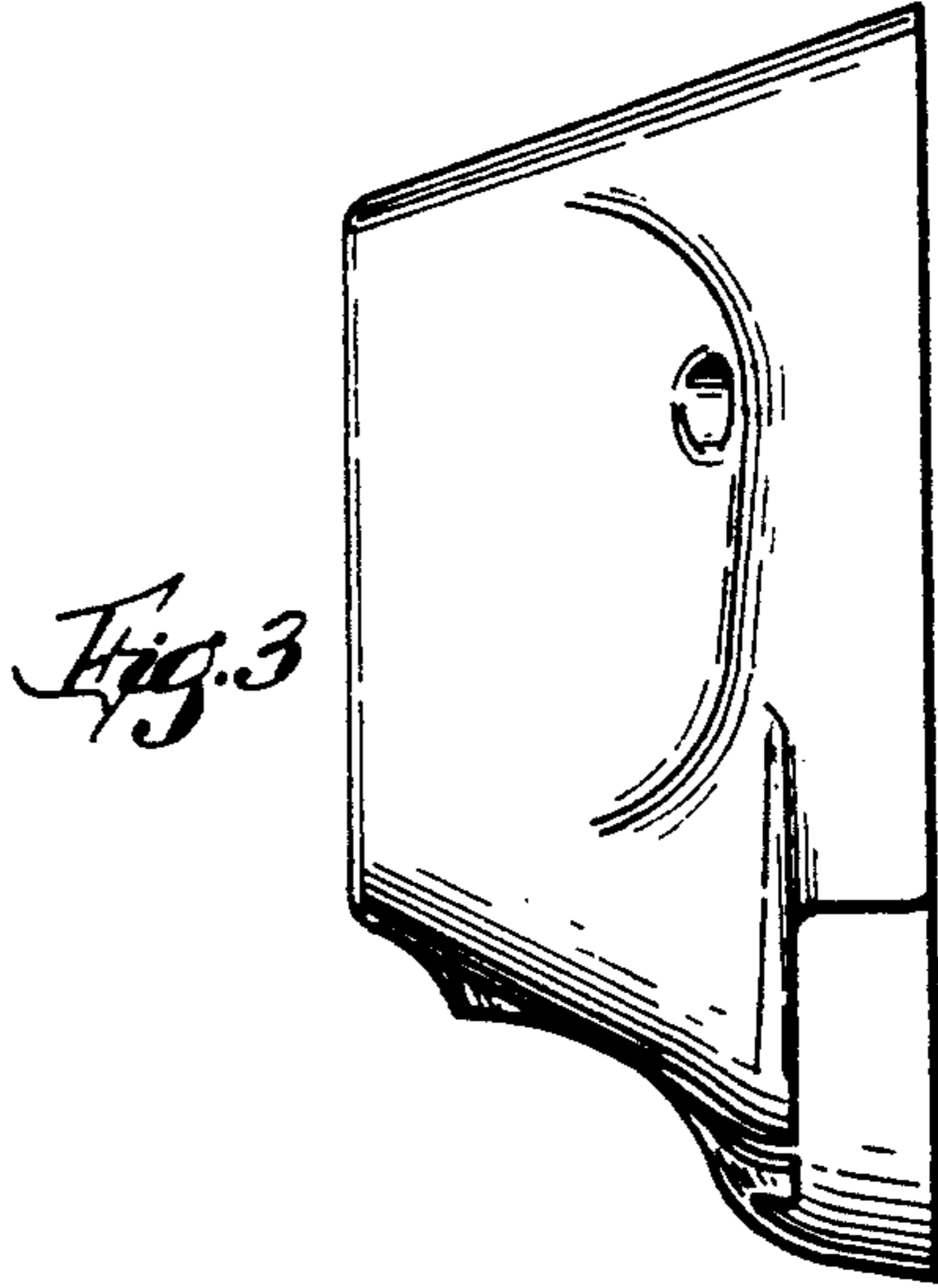


Fig. 3

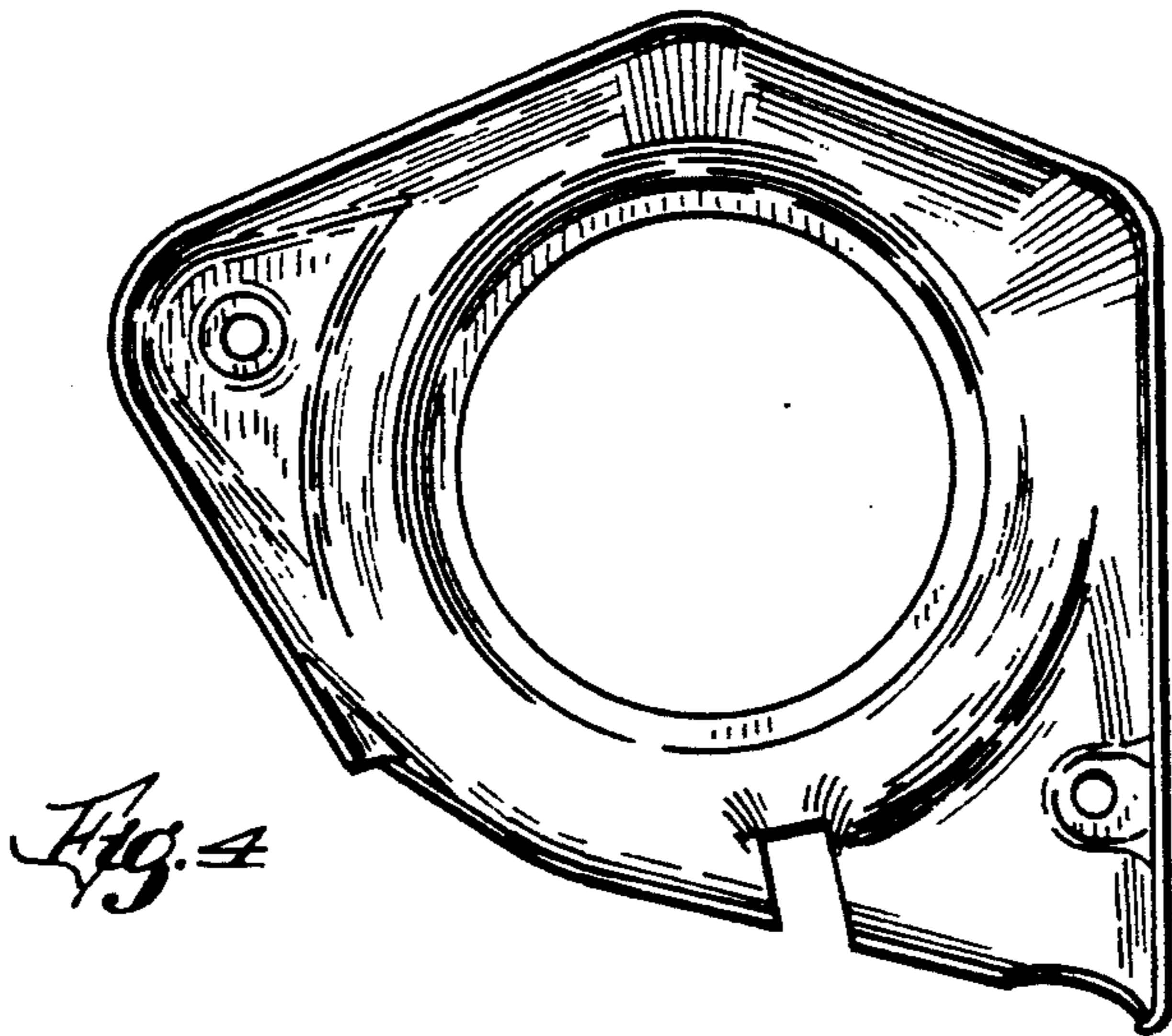


Fig. 4

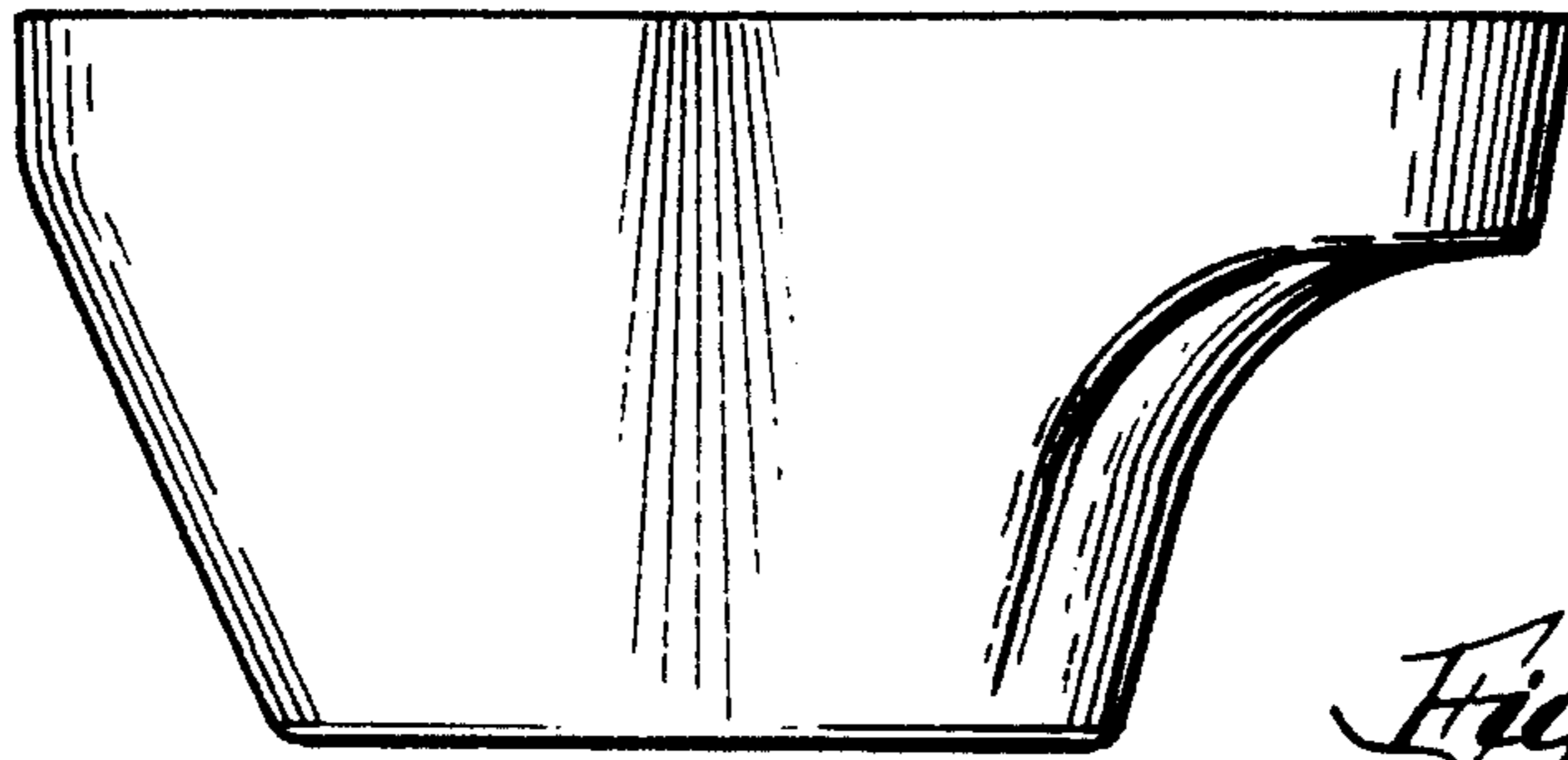


Fig. 5

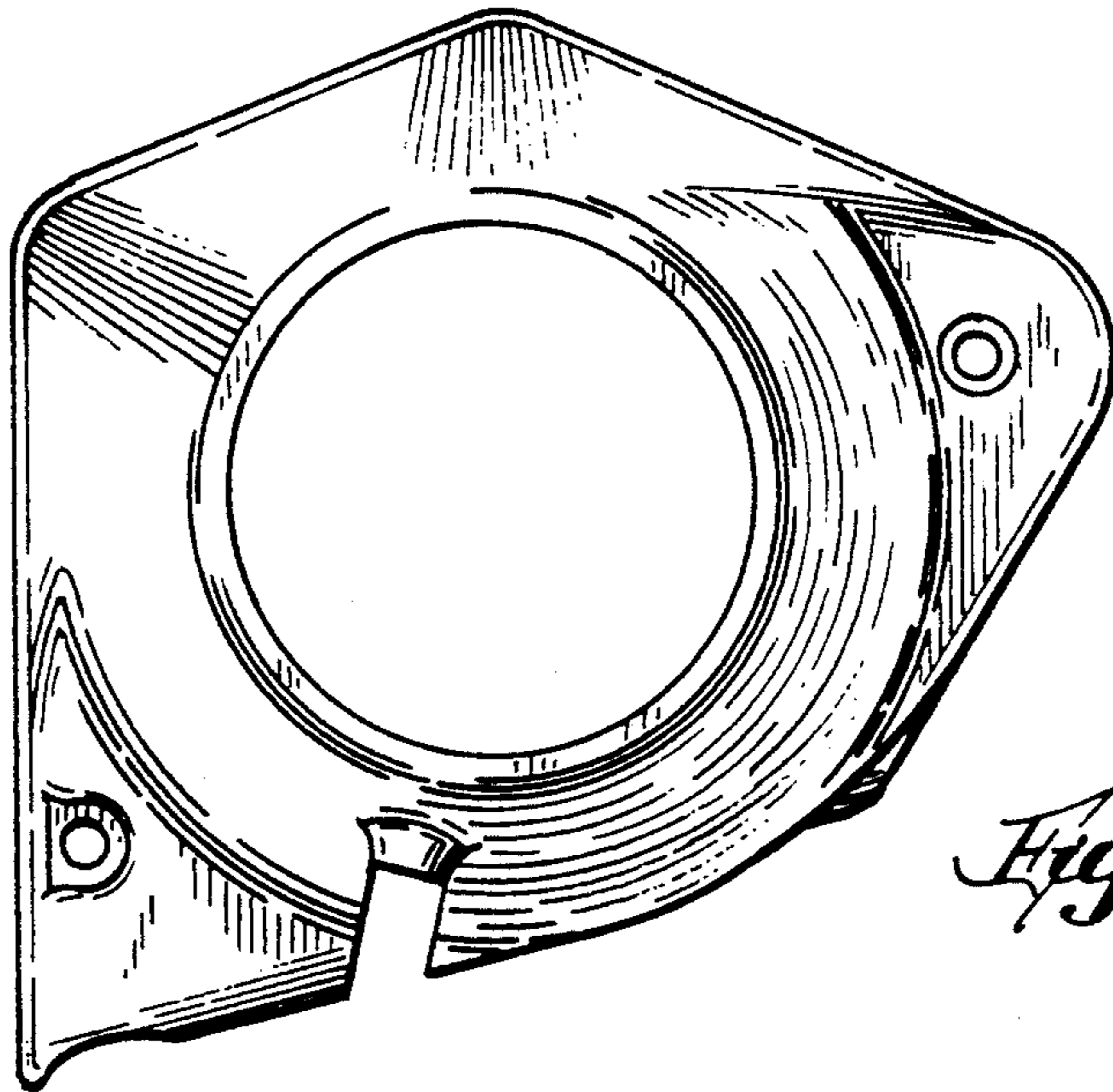


Fig. 7

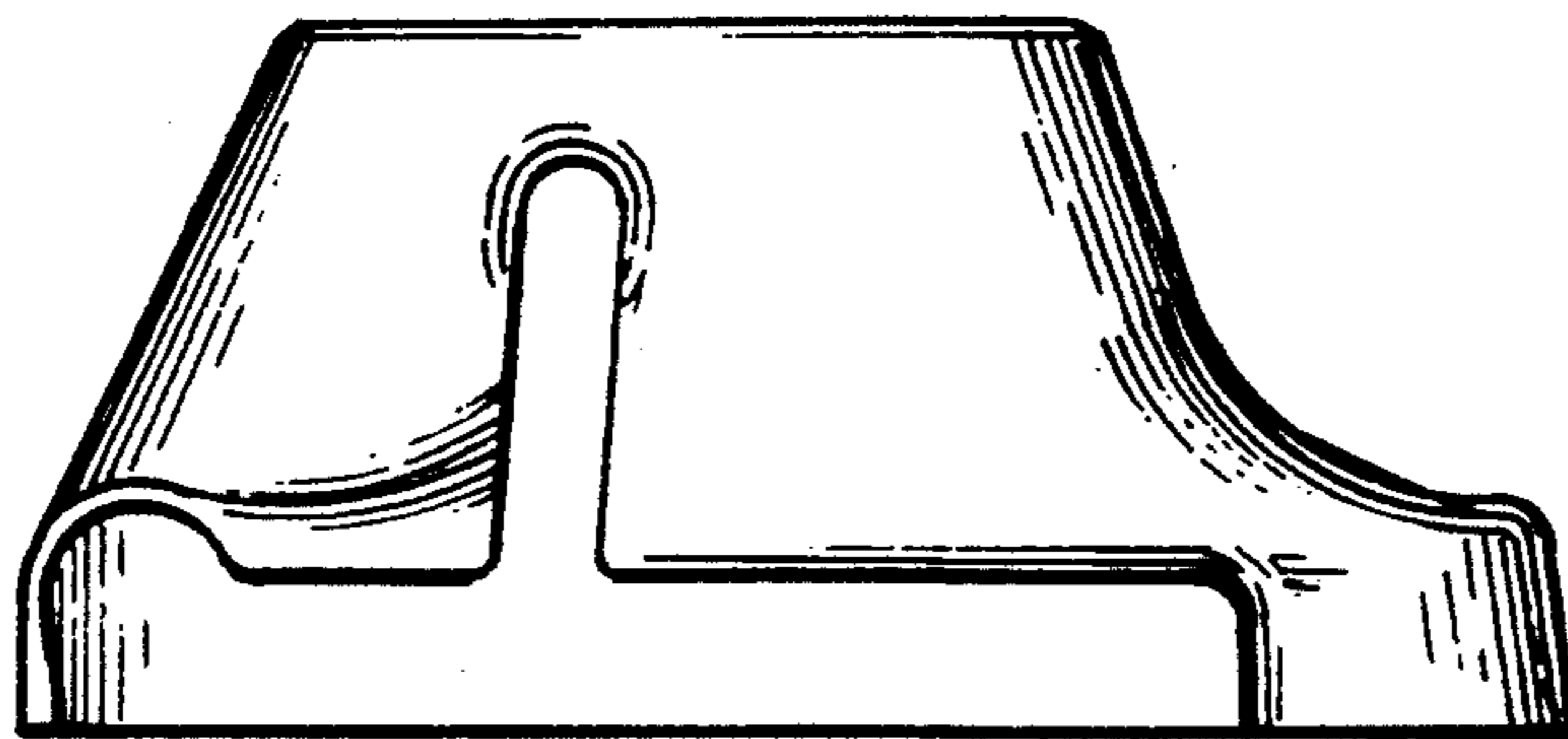


Fig. 6