



US00D336448S

United States Patent [19]

[11] Patent Number: **Des. 336,448**

Haines

[45] Date of Patent: **** Jun. 15, 1993**

[54] TIE CLIP

[76] Inventor: **Patrick R. Haines**, P.O. Box 5280,
Kent, Wash. 98064-5280

[**] Term: **14 Years**

[21] Appl. No.: **530,722**

[22] Filed: **May 29, 1990**

[52] U.S. Cl. **D11/215; D11/202**

[58] Field of Search **D11/200, 202, 206, 208,
D11/209, 210, 215, 222, 229; 24/49 CC, 49
CD, 49 C, 49 M, 455, 458, 485, 489, 495, 497,
530, 531-532, 541, 547, 552, 563, 299, 60**

[56] **References Cited**

U.S. PATENT DOCUMENTS

29,871	12/1898	Buell	D11/202
46,009	6/1914	Singleton	D11/215
D. 239,147	3/1976	Karlson	D11/215
D. 244,968	7/1977	Fowble	D11/215
D. 295,501	5/1988	Brayford	D11/215
1,520,739	12/1924	Zetlitz	24/563
2,308,166	1/1943	Fulton	24/299
2,751,653	6/1956	Leibow	24/563
2,828,518	4/1958	Robertson	24/49 CD
3,453,696	7/1969	Mates	24/49 CC
3,793,681	2/1974	Casstevens, Jr. et al.	24/60
3,802,032	4/1974	Weed	24/49 C

FOREIGN PATENT DOCUMENTS

513799	6/1955	Canada	24/49 M
--------	--------	--------	-------	---------

Primary Examiner—A. Hugo Word

Assistant Examiner—R. Seifert

Attorney, Agent, or Firm—R. Reams Goodlee, Jr.

[57] **CLAIM**

The ornamental design for a tie clip, as shown and described.

DESCRIPTION

FIG. 1 is a perspective view of a tie clip showing my new design;

FIG. 2 is a bottom rear perspective view;

FIG. 3 is a top plan view;

FIG. 4 is a front elevational view;

FIG. 5 is a bottom plan view;

FIG. 6 is a rear elevational view;

FIG. 7 is a right side elevational view;

FIG. 8 is a left side elevational view;

FIG. 9 is a fragmented perspective view of the inner surface of the clip, the remainder being omitted for ease of illustration;

FIG. 10 is a top front perspective of a tie clip showing a second embodiment of my new design;

FIG. 11 is a bottom rear perspective view of FIG. 10;

FIG. 12 is a top plan view of FIG. 10;

FIG. 13 is a front elevational view of FIG. 10;

FIG. 14 is a bottom plan view of FIG. 10;

FIG. 15 is a rear elevational view of FIG. 10;

FIG. 16 is a right side elevational view of FIG. 10;

FIG. 17 is a left side elevational view of FIG. 10; and,

FIG. 18 is a fragmented perspective view of inner surface of the clip, the remainder being omitted for ease of illustration.

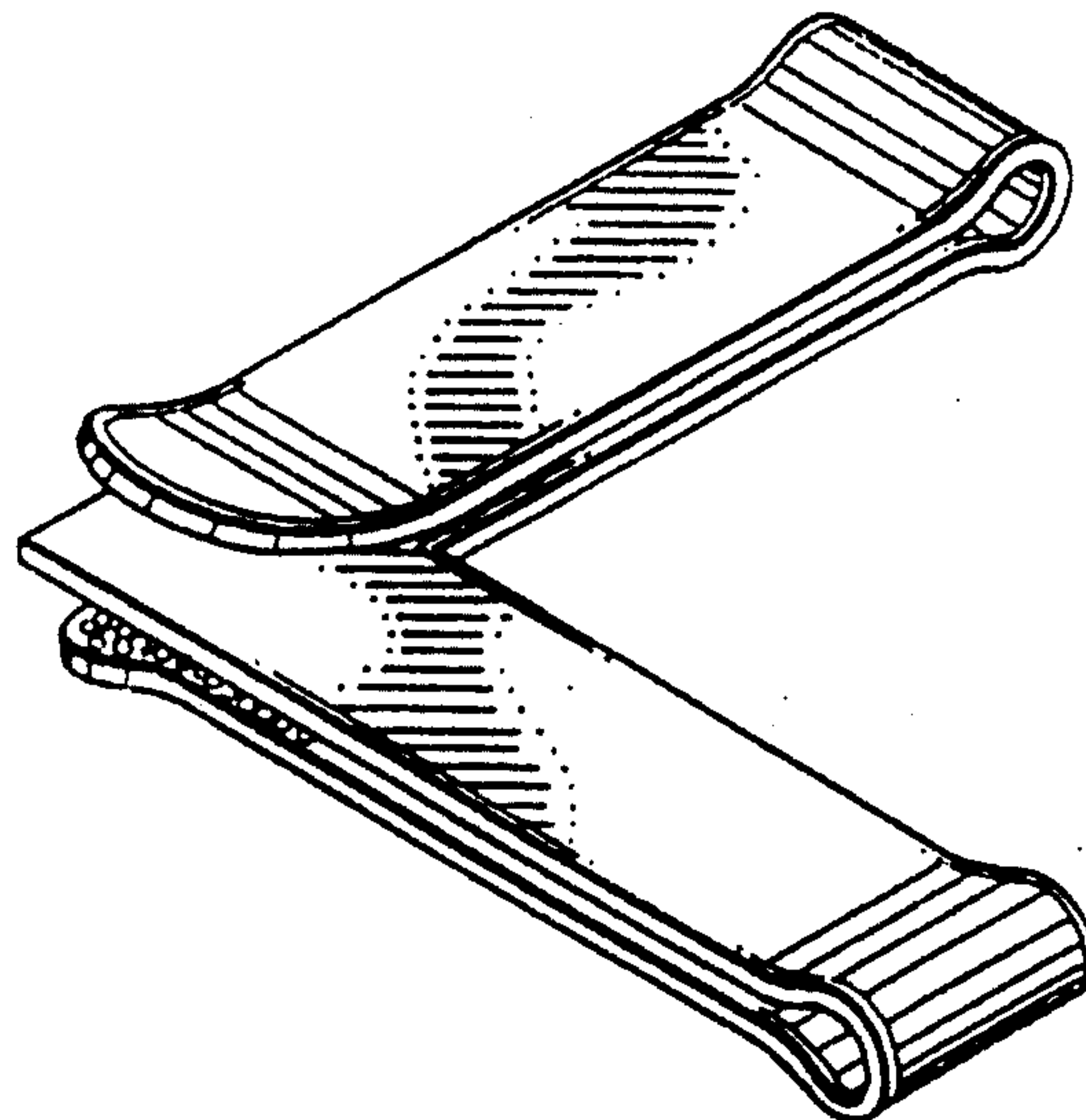


FIG. 1

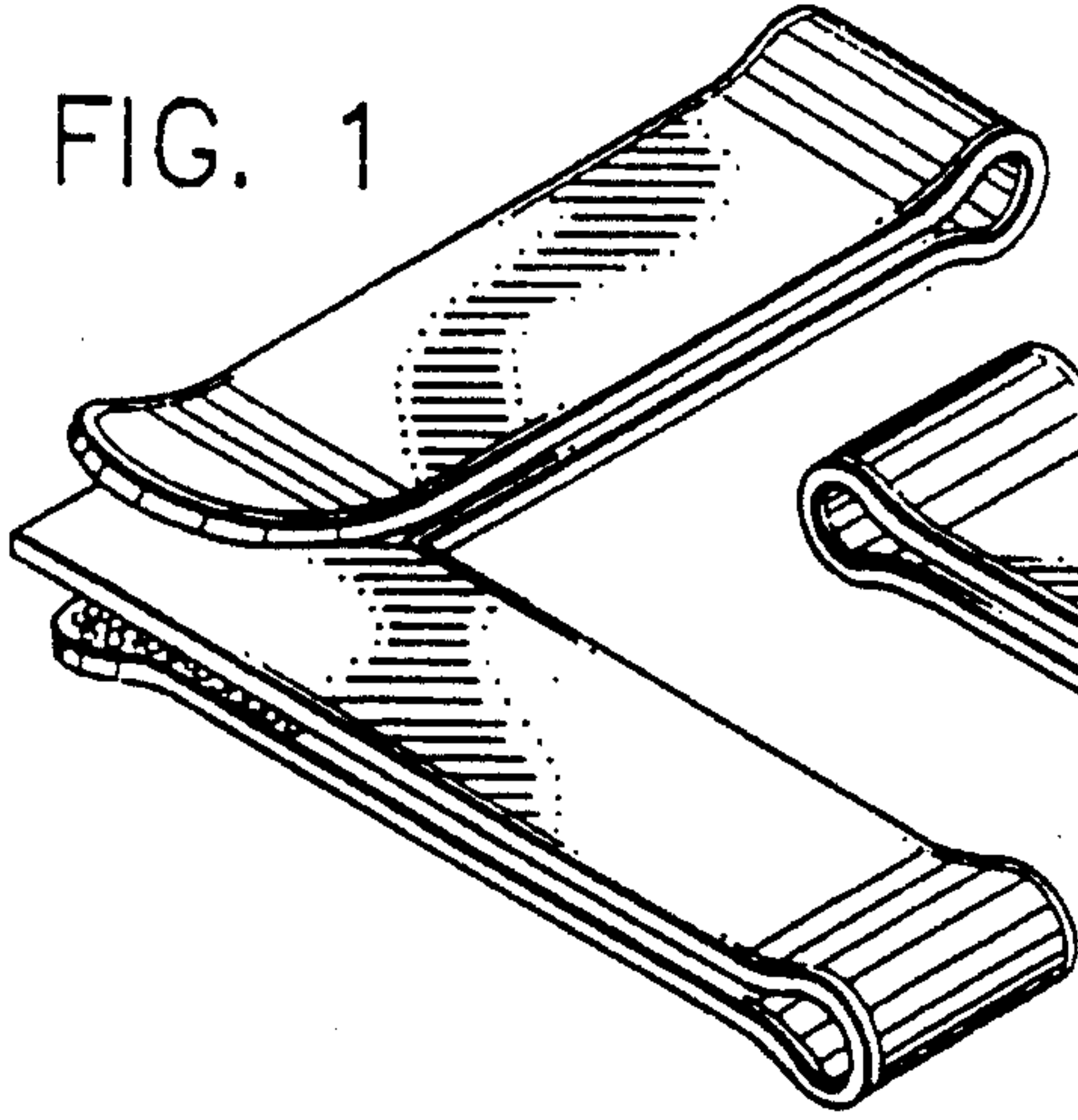


FIG. 2

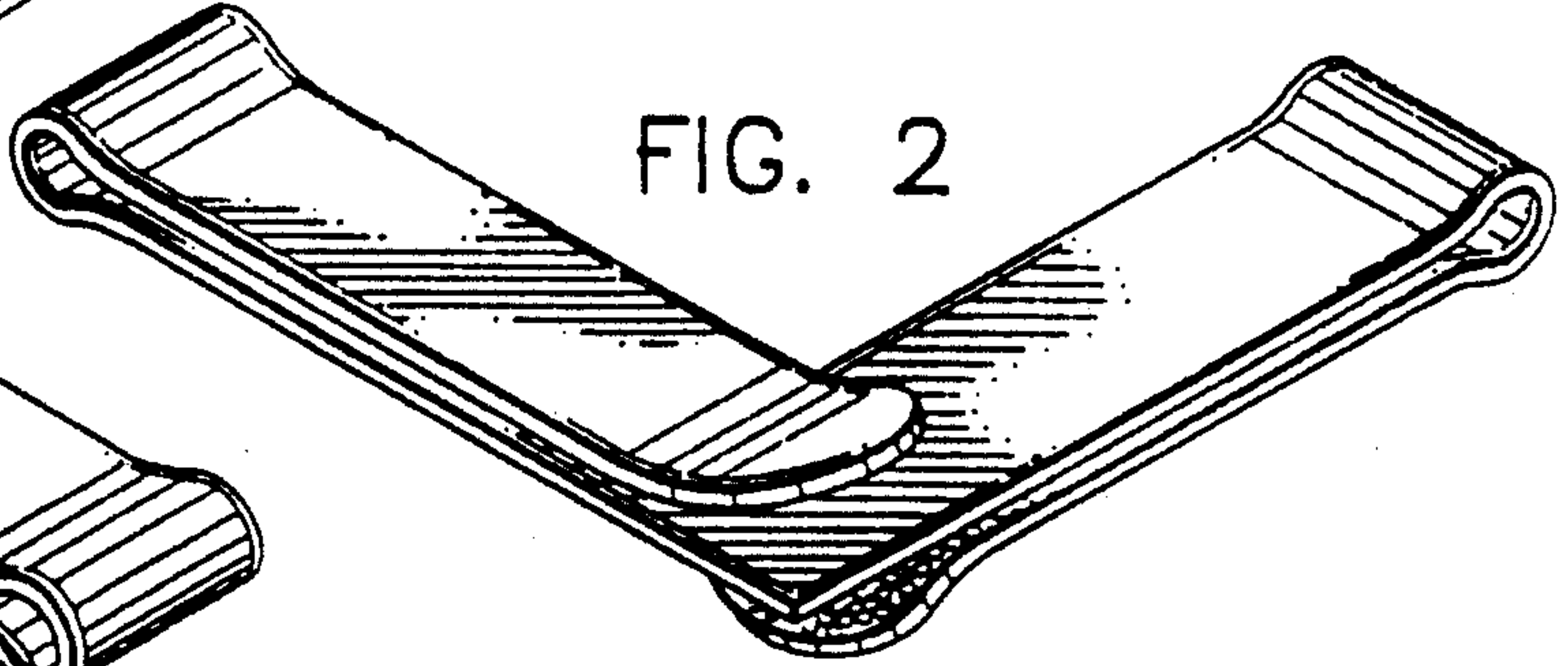


FIG. 3

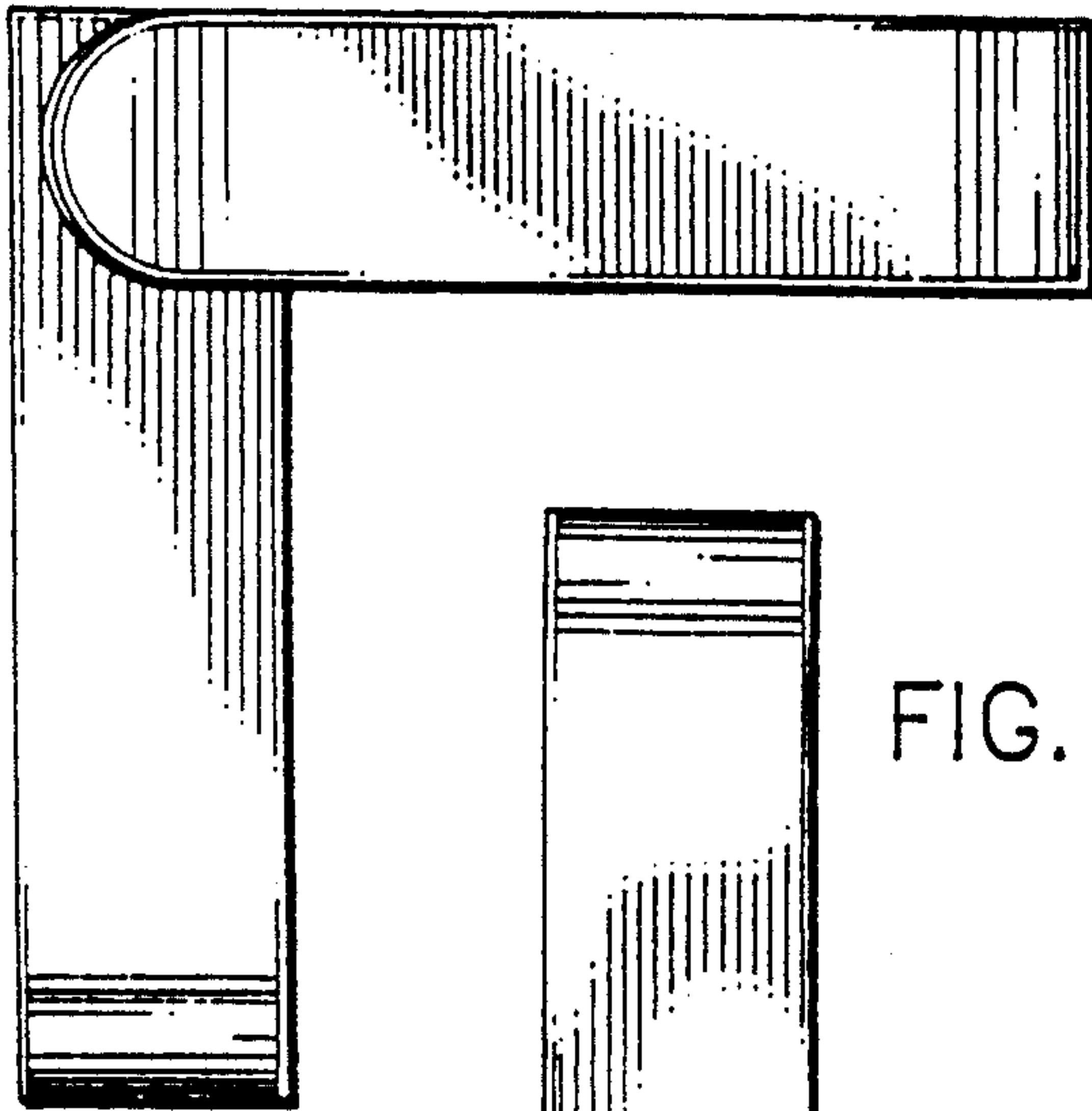


FIG. 9

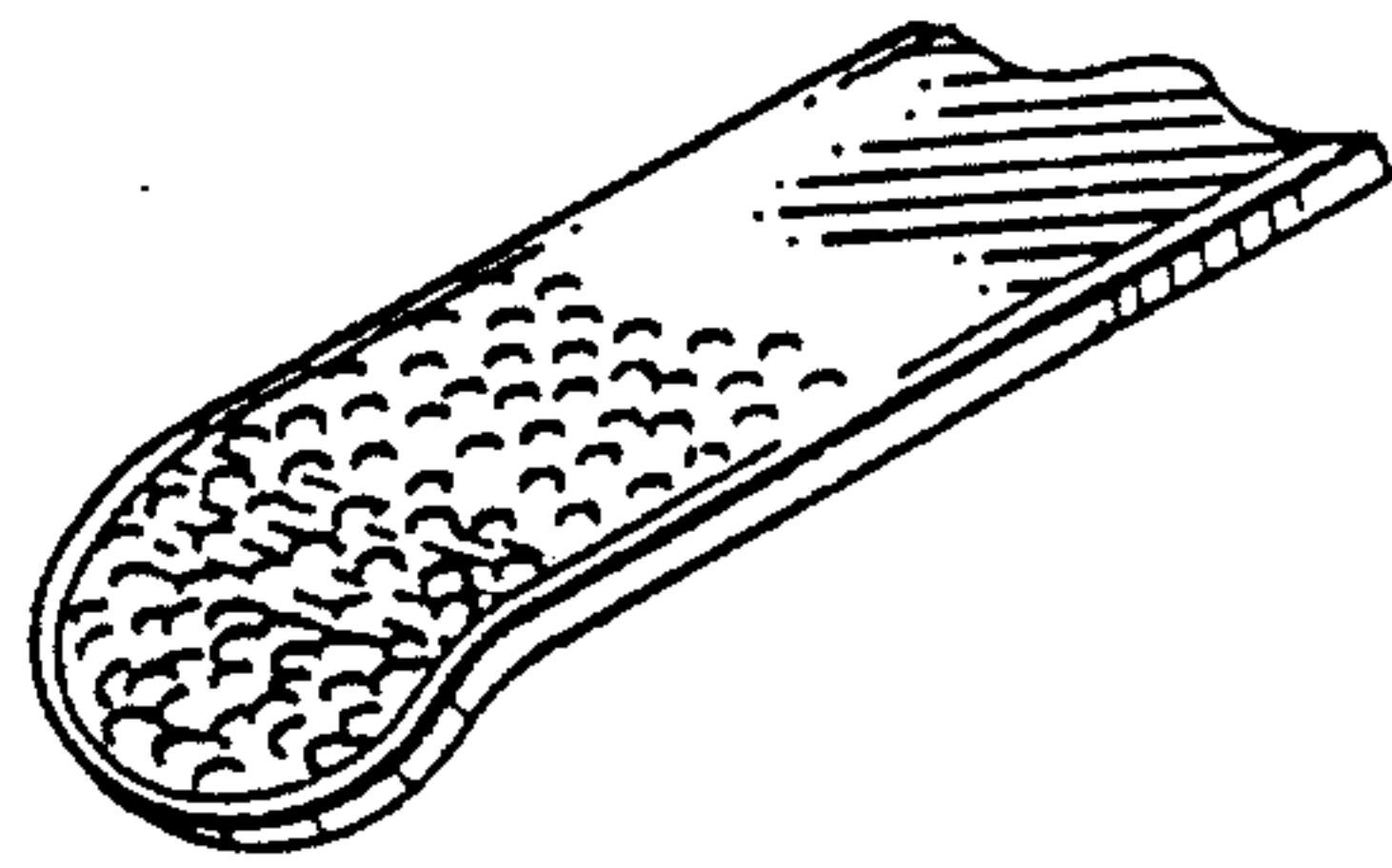


FIG. 5

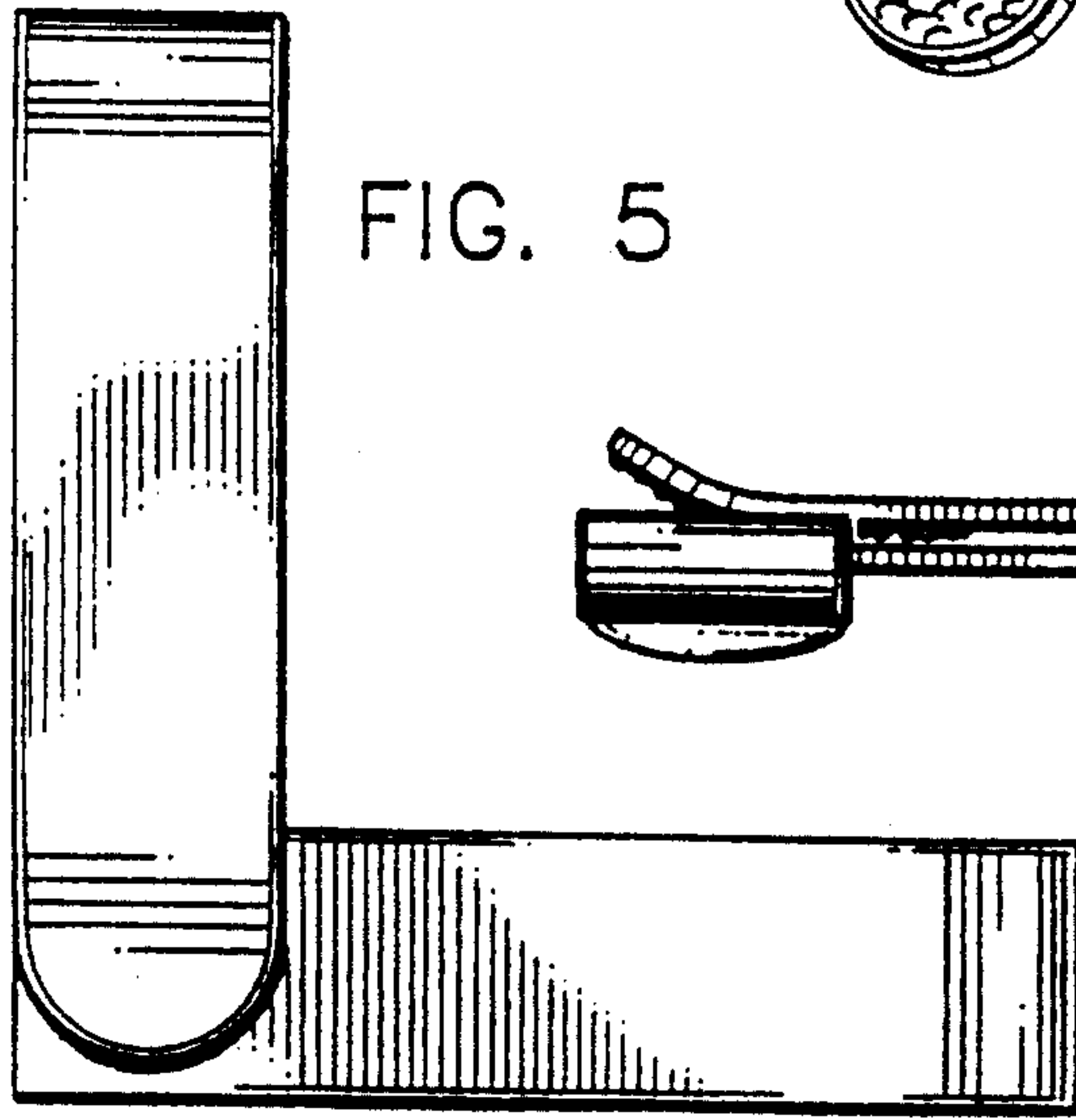


FIG. 4

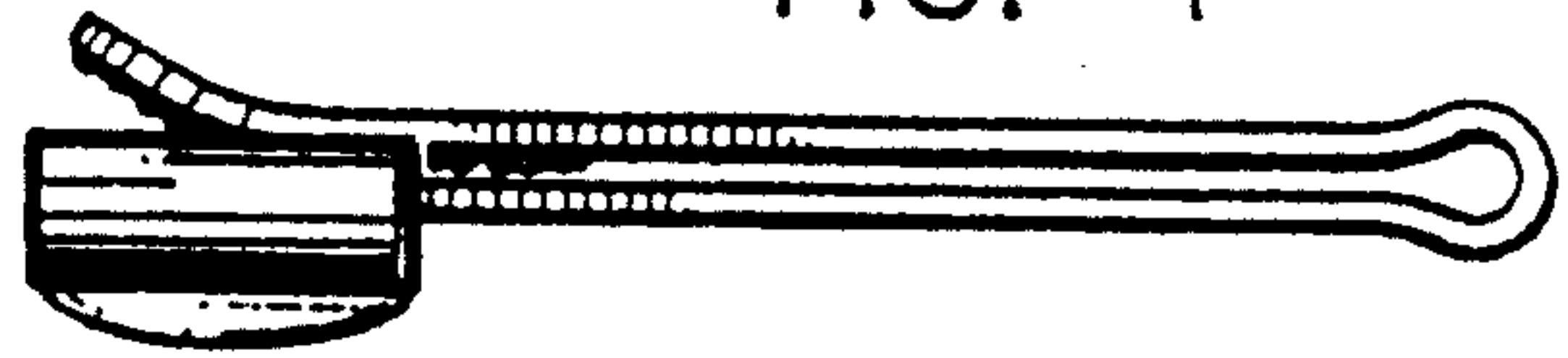


FIG. 7



FIG. 8

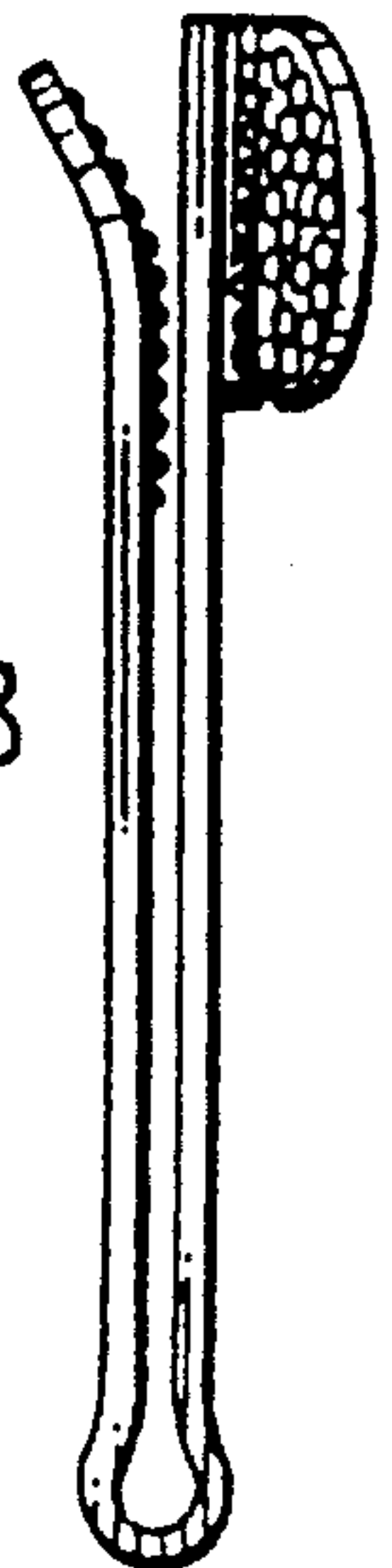
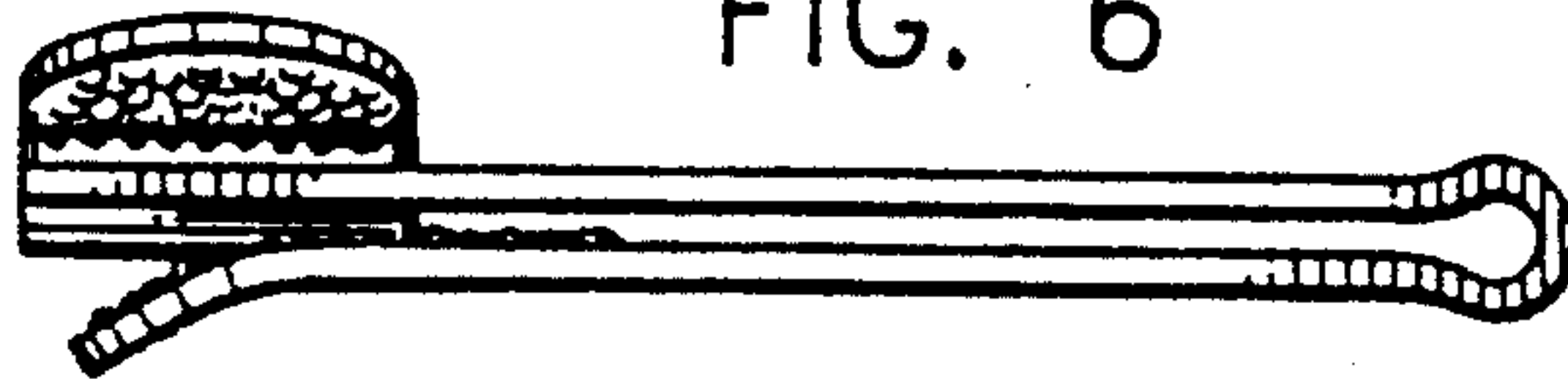


FIG. 6



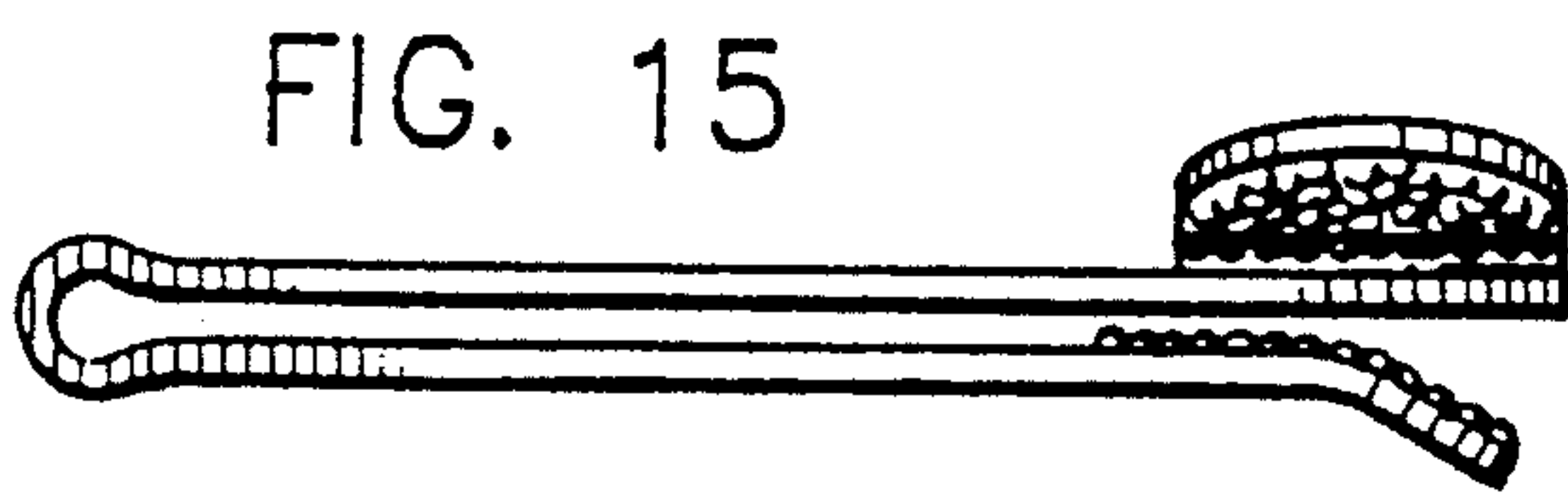
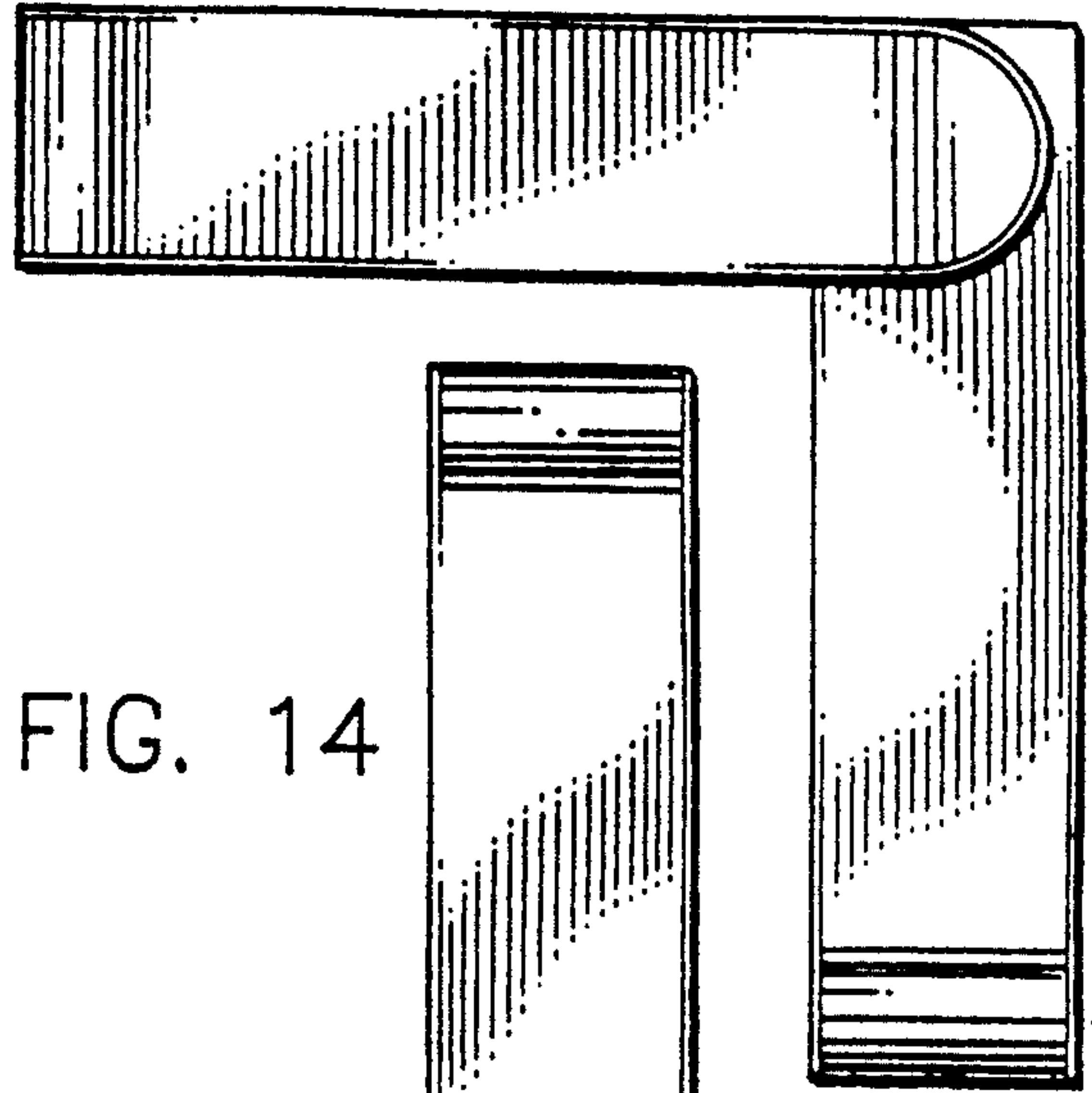
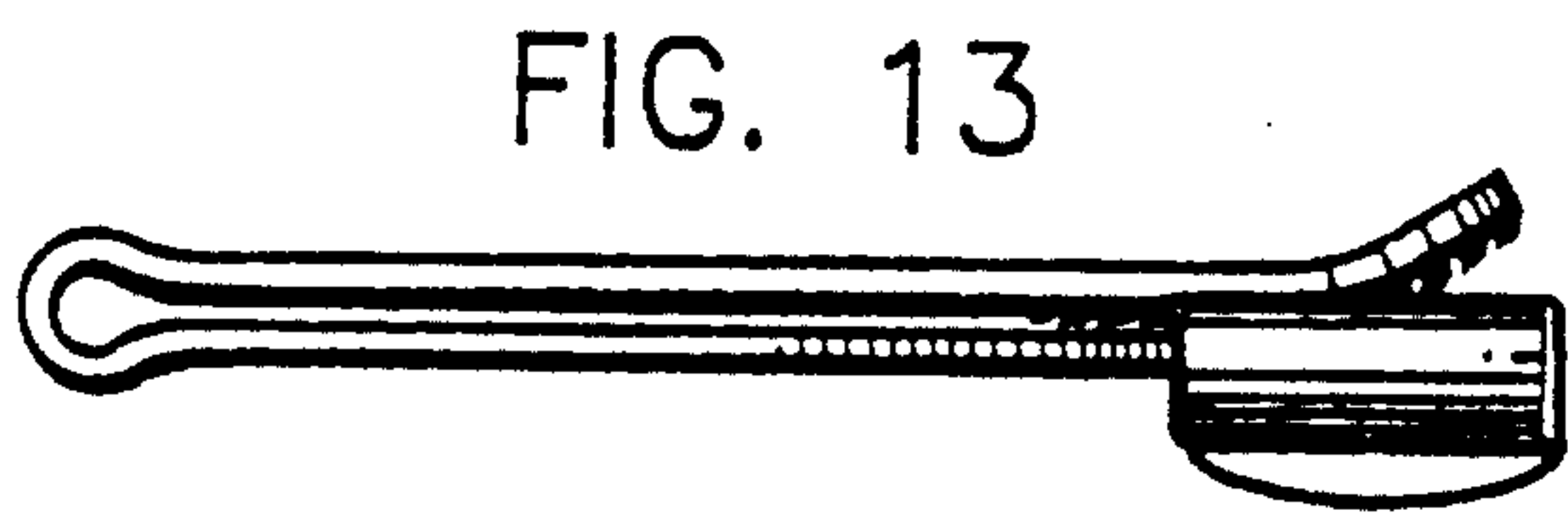
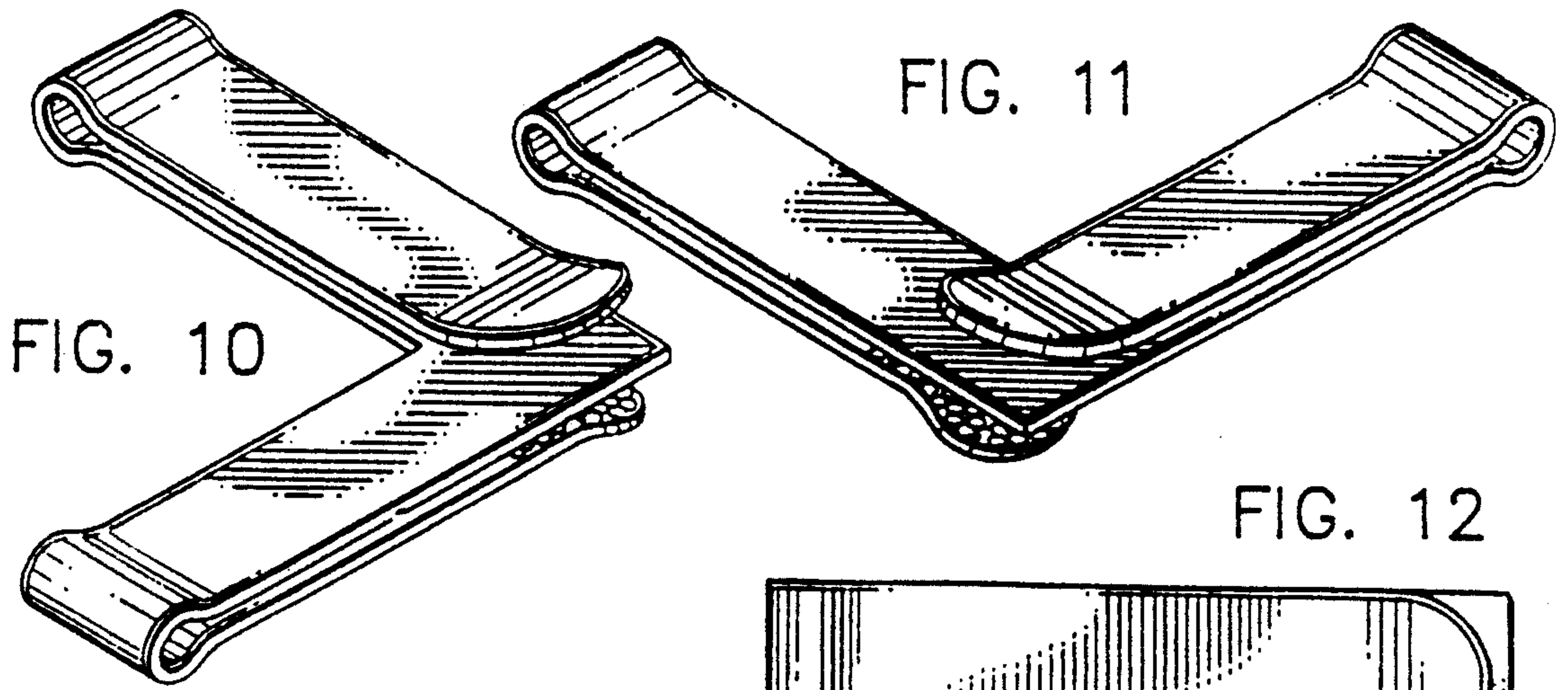


FIG. 16

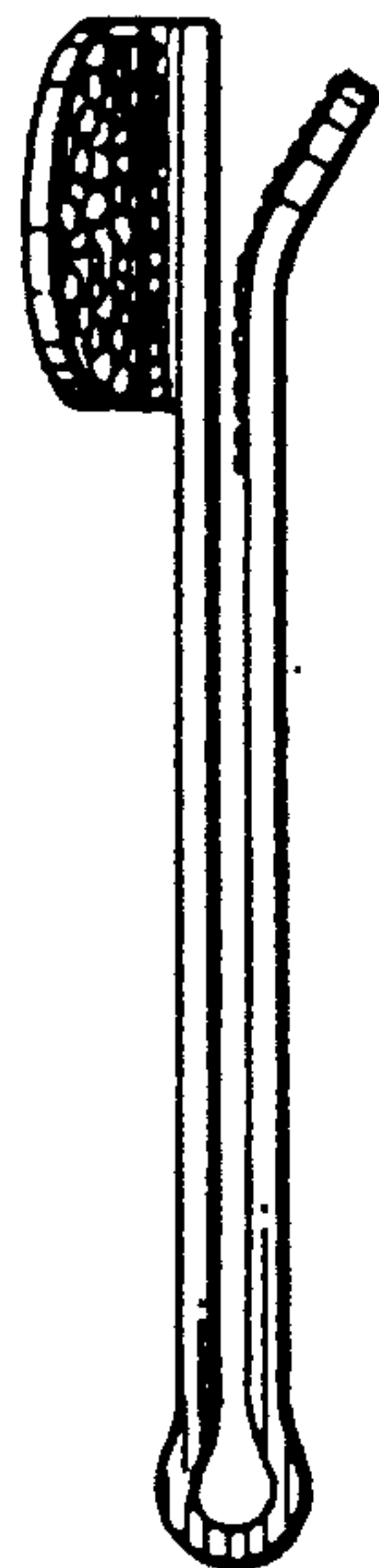


FIG. 17



FIG. 18

