



US00D336443S

# United States Patent [19]

[11] Patent Number: **Des. 336,443**

**Dickey**

[45] Date of Patent: **\*\* Jun. 15, 1993**

[54] **TAPE MEASURE MARKING ATTACHMENT**

*Assistant Examiner*—Antoine D. Davis  
*Attorney, Agent, or Firm*—John M. Harrison

[76] Inventor: **Robert D. Dickey**, 3425 St. Helens, Shreveport, La. 71108

[57] **CLAIM**

[\*\*] Term: **14 Years**

The ornamental design for a tape measure marking attachment, as shown and described.

[21] Appl. No.: **723,512**

### DESCRIPTION

[22] Filed: **Aug. 12, 1991**

[52] U.S. Cl. .... **D10/74**

[58] Field of Search ..... **D10/74; 33/27.03, 755-771**

FIG. 1 is a top, front and left side perspective view of a tape measure marking attachment showing my new design, the broken line showing of tape measure is for illustrative purposes only and forms no part of the claimed design;

### [56] References Cited

#### U.S. PATENT DOCUMENTS

- D. 249,128 8/1978 Stookey ..... D10/74
- D. 256,340 8/1980 Spohn, Jr. .... D10/74
- 1,572,237 2/1926 Hunt ..... 33/27.03 X
- 2,621,409 12/1952 Dvorak ..... 33/768

FIG. 2 is a front elevational view thereof;

FIG. 3 is a rear elevational view thereof;

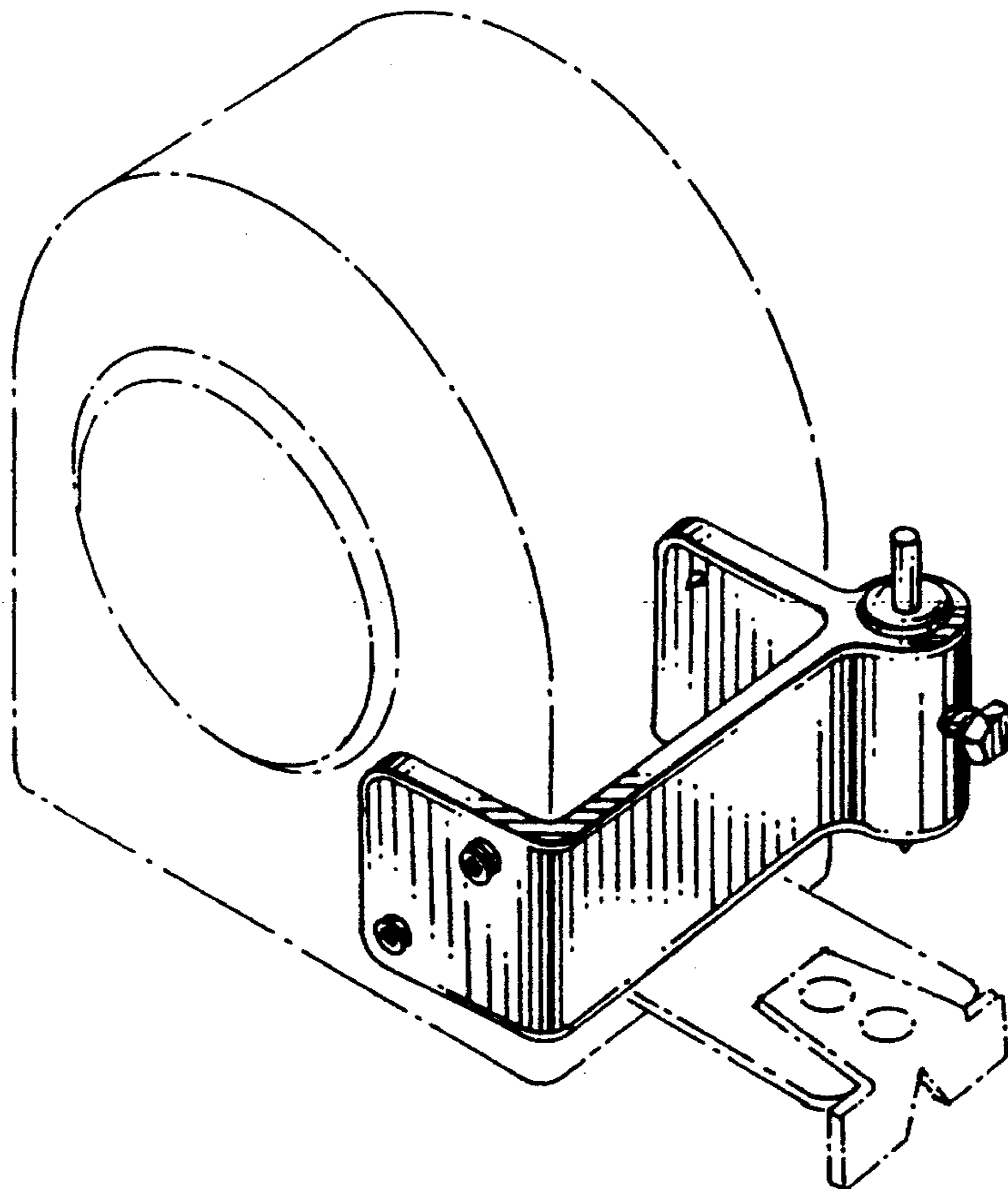
FIG. 4 is a top plan view thereof;

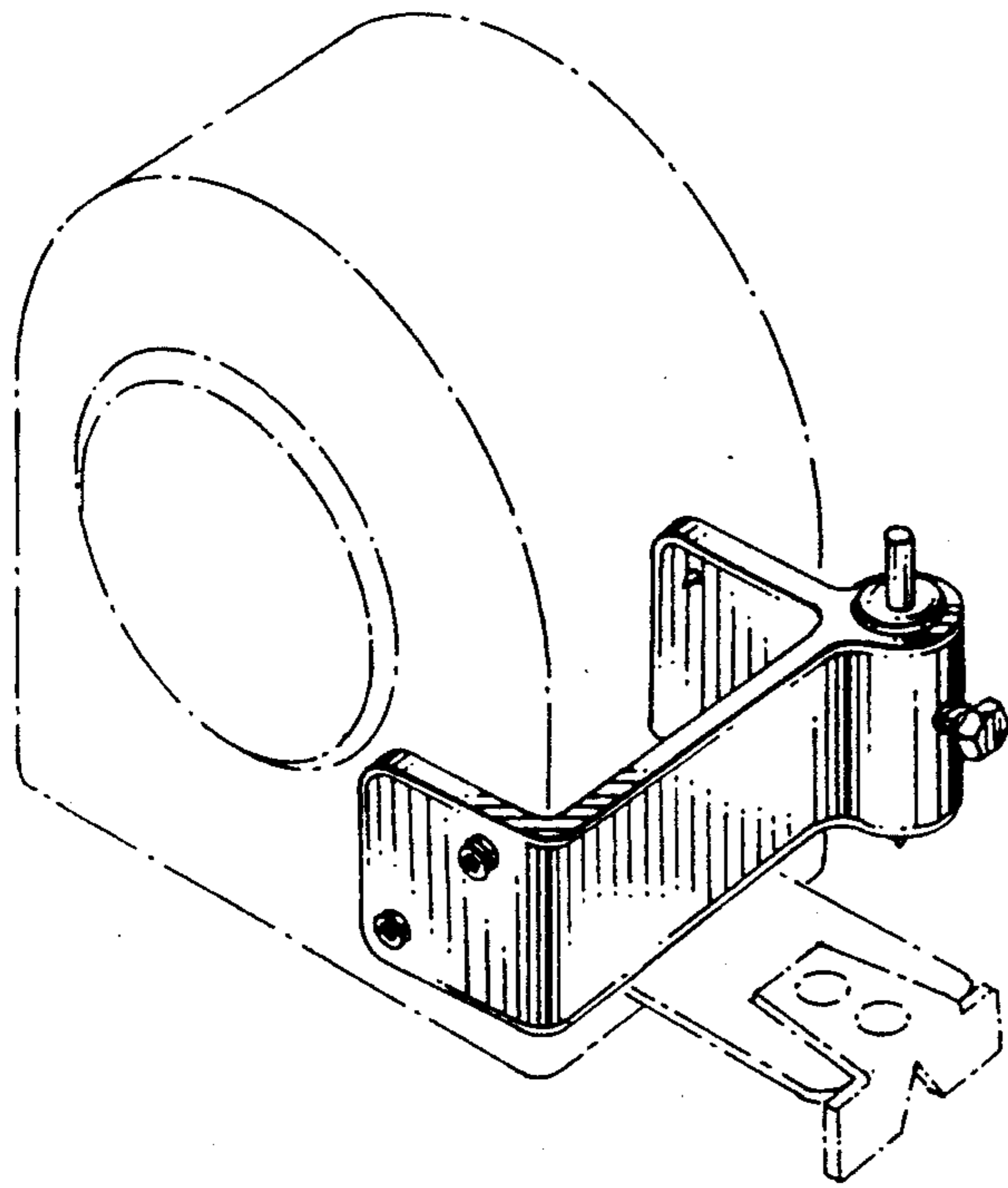
FIG. 5 is a right side elevational view thereof;

FIG. 6 is a left side elevational view thereof; and,

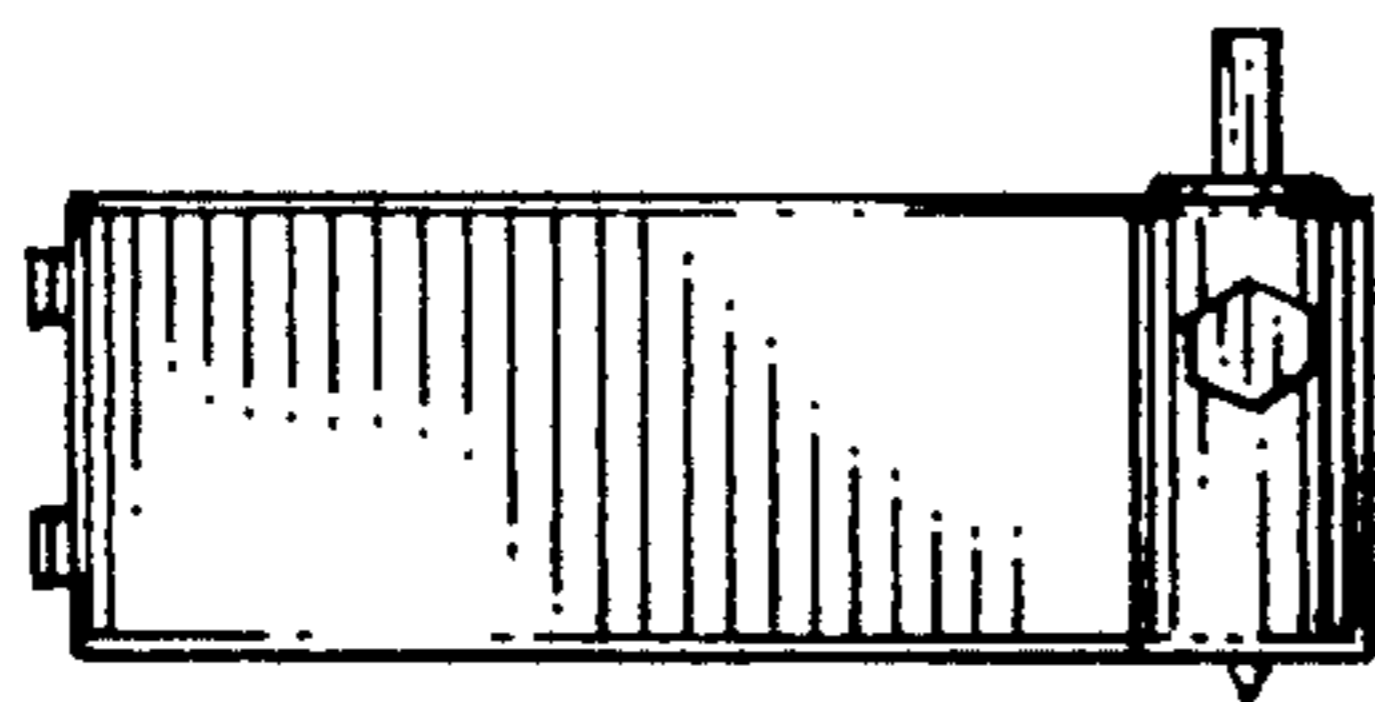
FIG. 7 is a right side elevational view thereof.

*Primary Examiner*—Alan P. Douglas

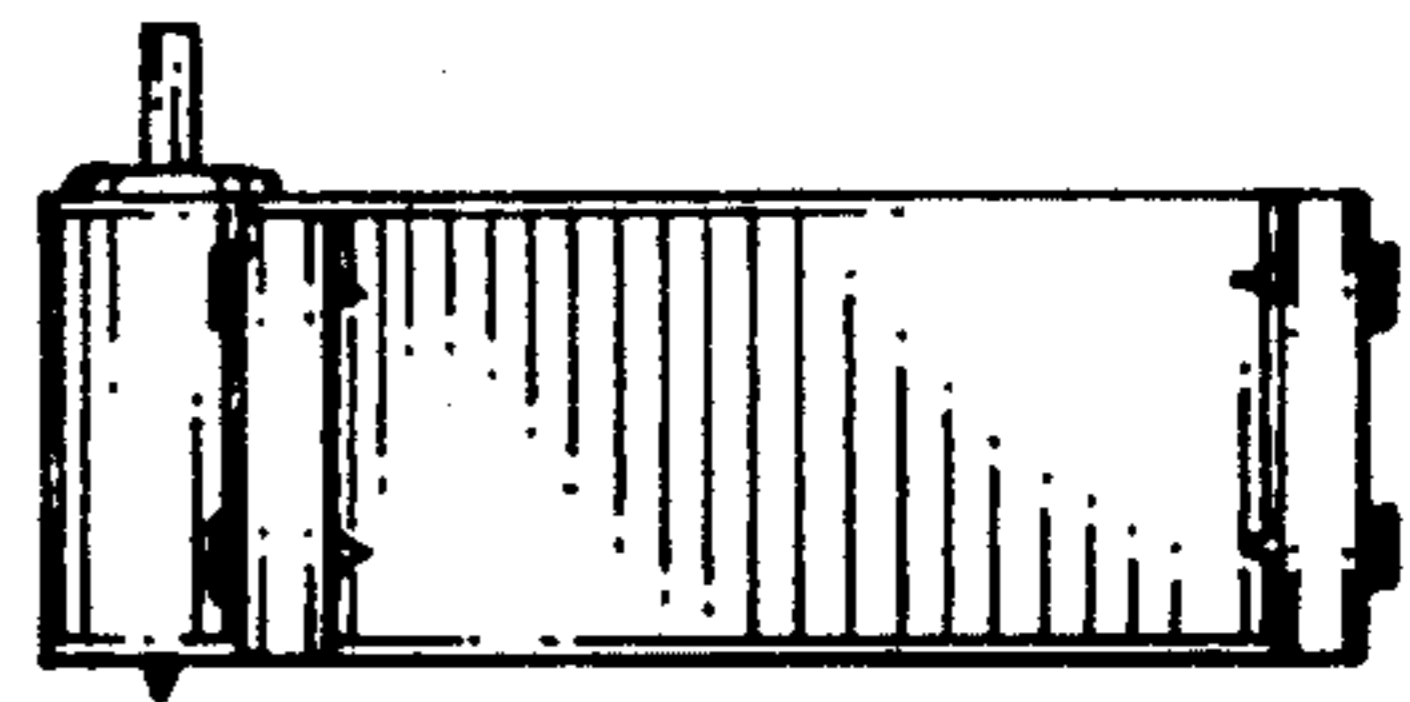




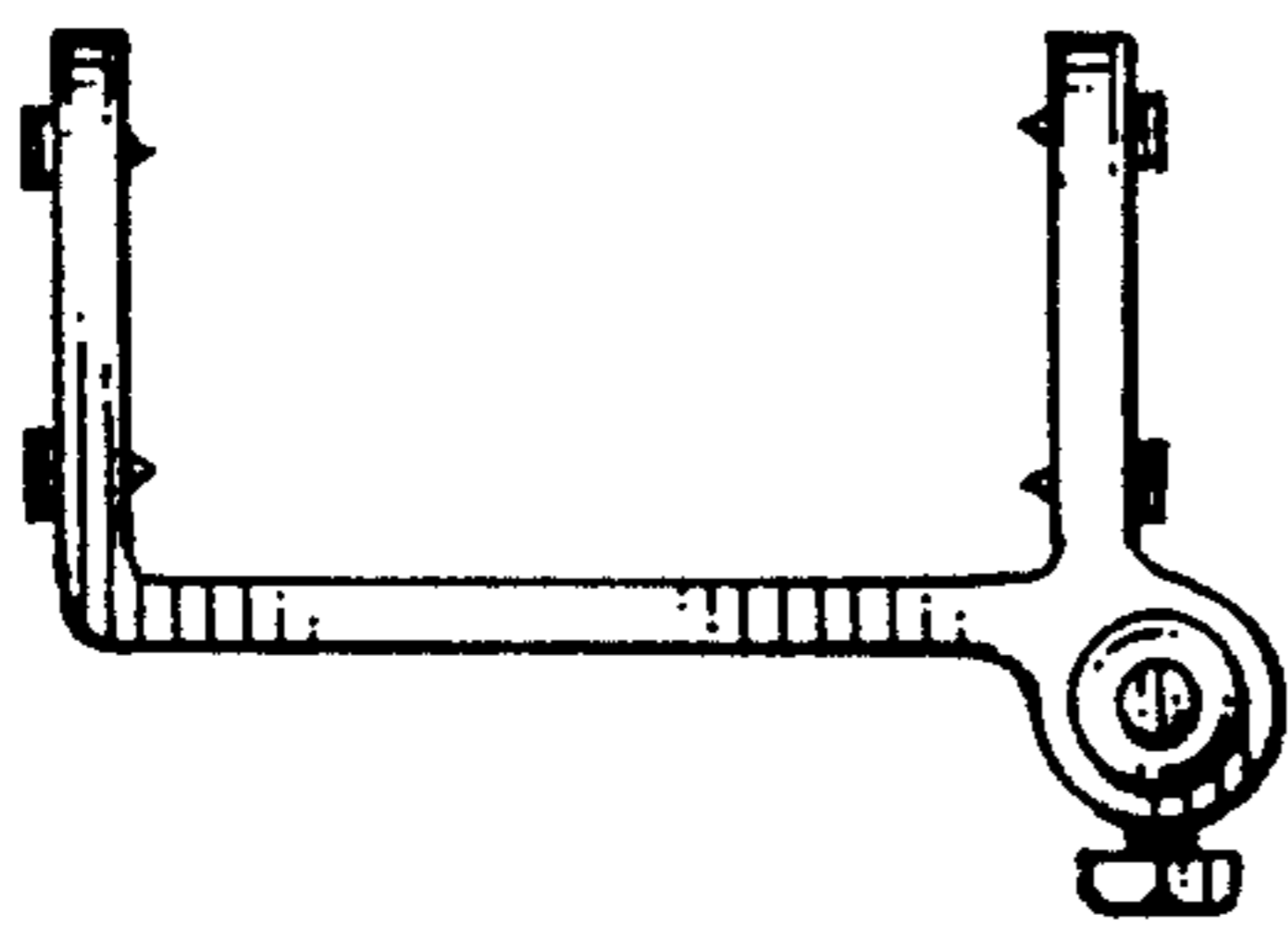
*FIG. 1*



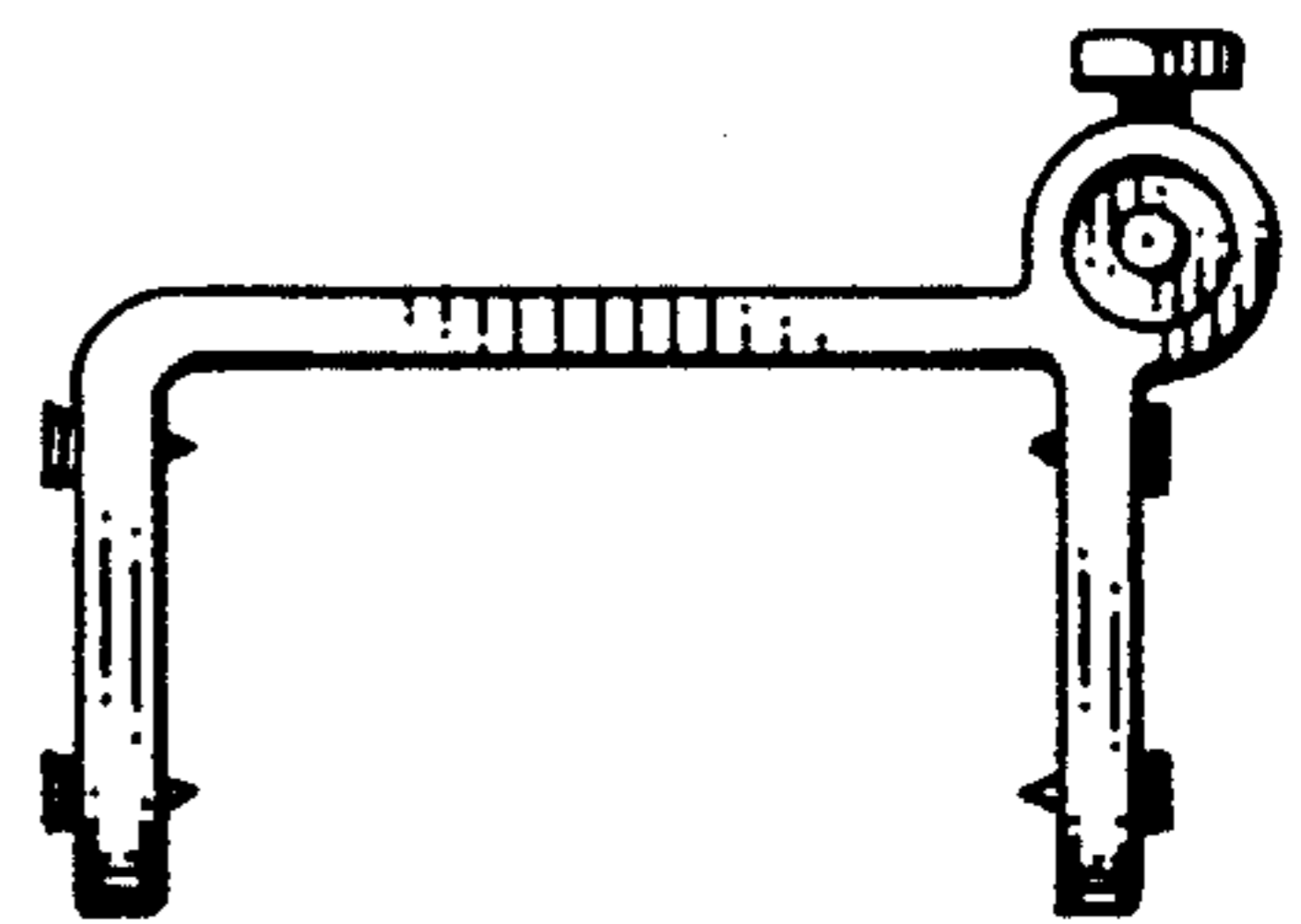
*FIG. 2*



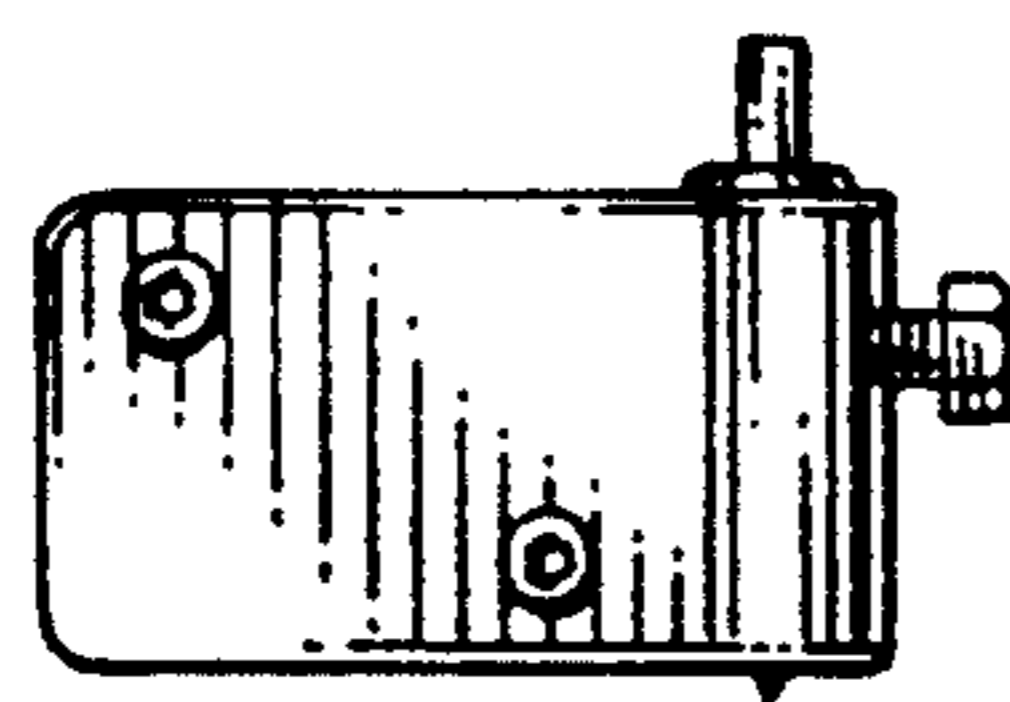
*FIG. 3*



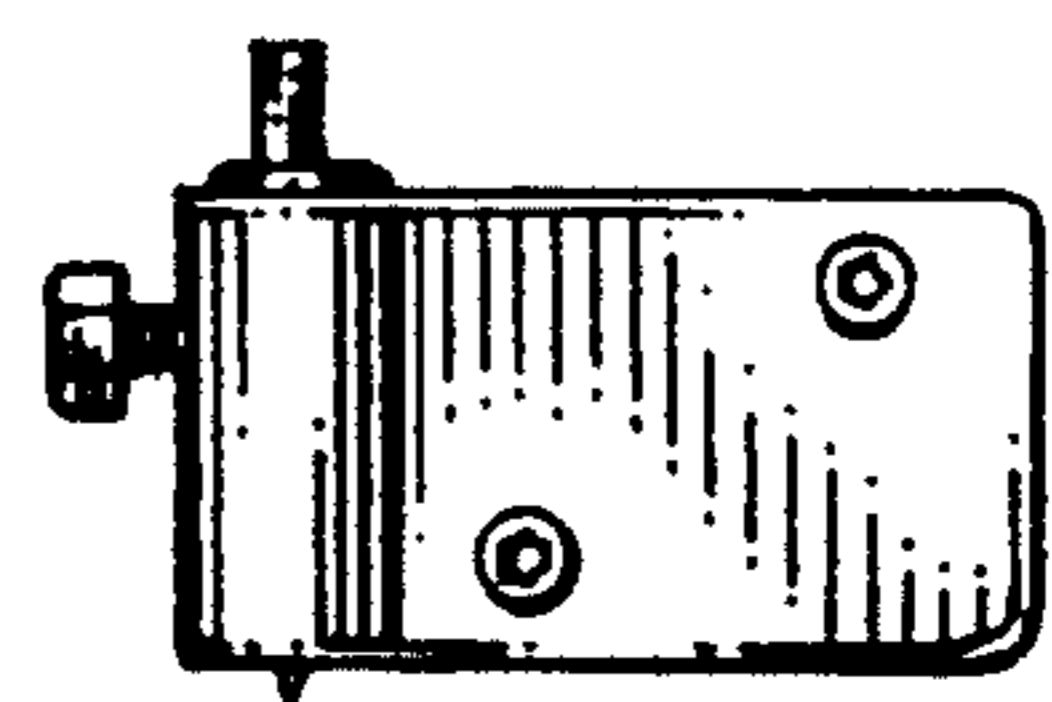
*FIG. 4*



*FIG. 5*



*FIG. 6*



*FIG. 7*