



US00D336430S

United States Patent [19]

[11] Patent Number: **Des. 336,430**

Maguire et al.

[45] Date of Patent: **** Jun. 15, 1993**

[54] **VALVED POURING SPOUT**

[76] Inventors: **Paul R. Maguire**, 4284 Sea View La., Los Angeles, Calif. 90065; **John M. Lown**, 222 La Jolla La., Newport Beach, Calif. 92663

[**] Term: **14 Years**

[21] Appl. No.: **642,273**

[22] Filed: **Jan. 16, 1991**

[52] U.S. Cl. **D9/448; D9/447**

[58] Field of Search **D9/300, 435, 448, 447; 222/207, 630, 632, 635**

[56] **References Cited**

U.S. PATENT DOCUMENTS

- D. 163,393 5/1951 Korotkin D9/300
- D. 167,213 7/1952 Lapin D9/300
- D. 200,182 1/1965 Crowell et al. D9/448
- D. 310,723 9/1990 Su D9/448 X

- D. 327,016 6/1992 Leukeneger D9/435 X
- 2,734,665 2/1956 Flamm 222/207
- 3,404,814 10/1968 Wakeman D9/300 X

Primary Examiner—Bernard Ansher
Assistant Examiner—Dominic Simone
Attorney, Agent, or Firm—Harold L. Jackson

[57] **CLAIM**

The ornamental design for a valved pouring spout, as shown and described.

DESCRIPTION

FIG. 1 is a perspective view of a valved pouring spout showing our new design;
FIG. 2 is an enlarged side elevational view thereof, the spout rotated 30°;
FIG. 3 is an enlarged right side elevational view thereof;
FIG. 4 is an enlarged top plan view thereof;
FIG. 5 is an enlarged bottom plan view thereof; and,
FIG. 6 is an enlarged left side elevational view thereof.

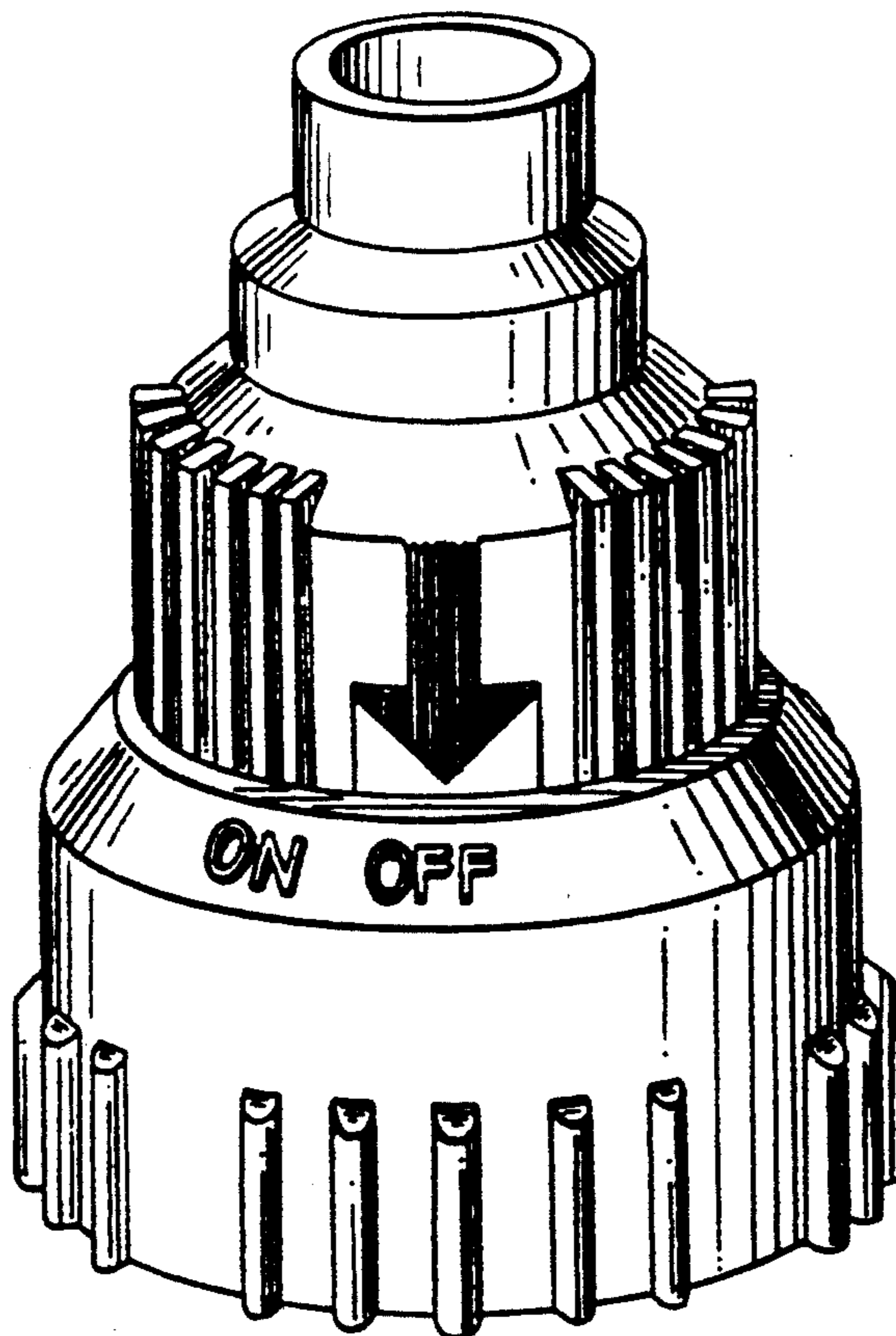


FIG. 2

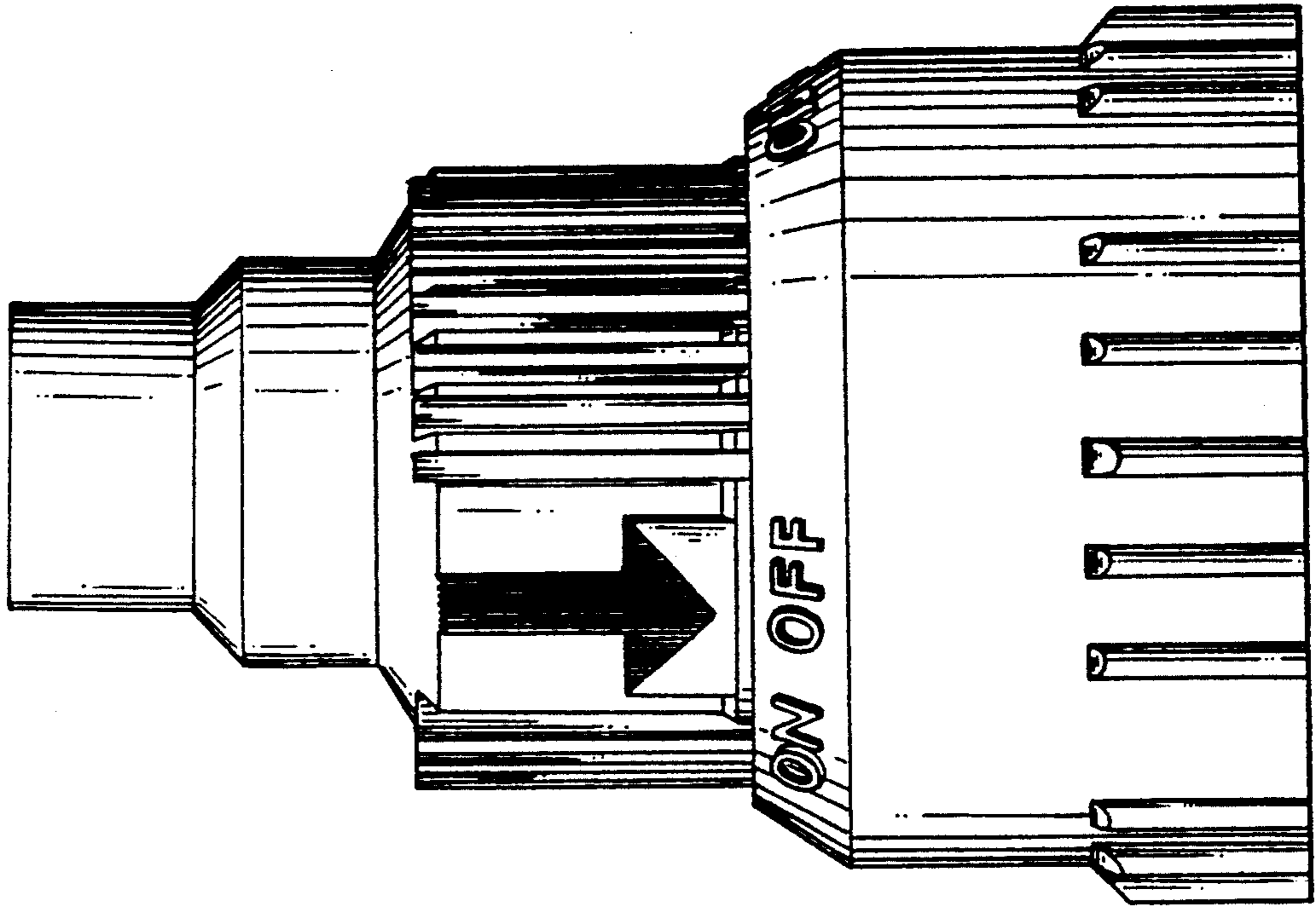
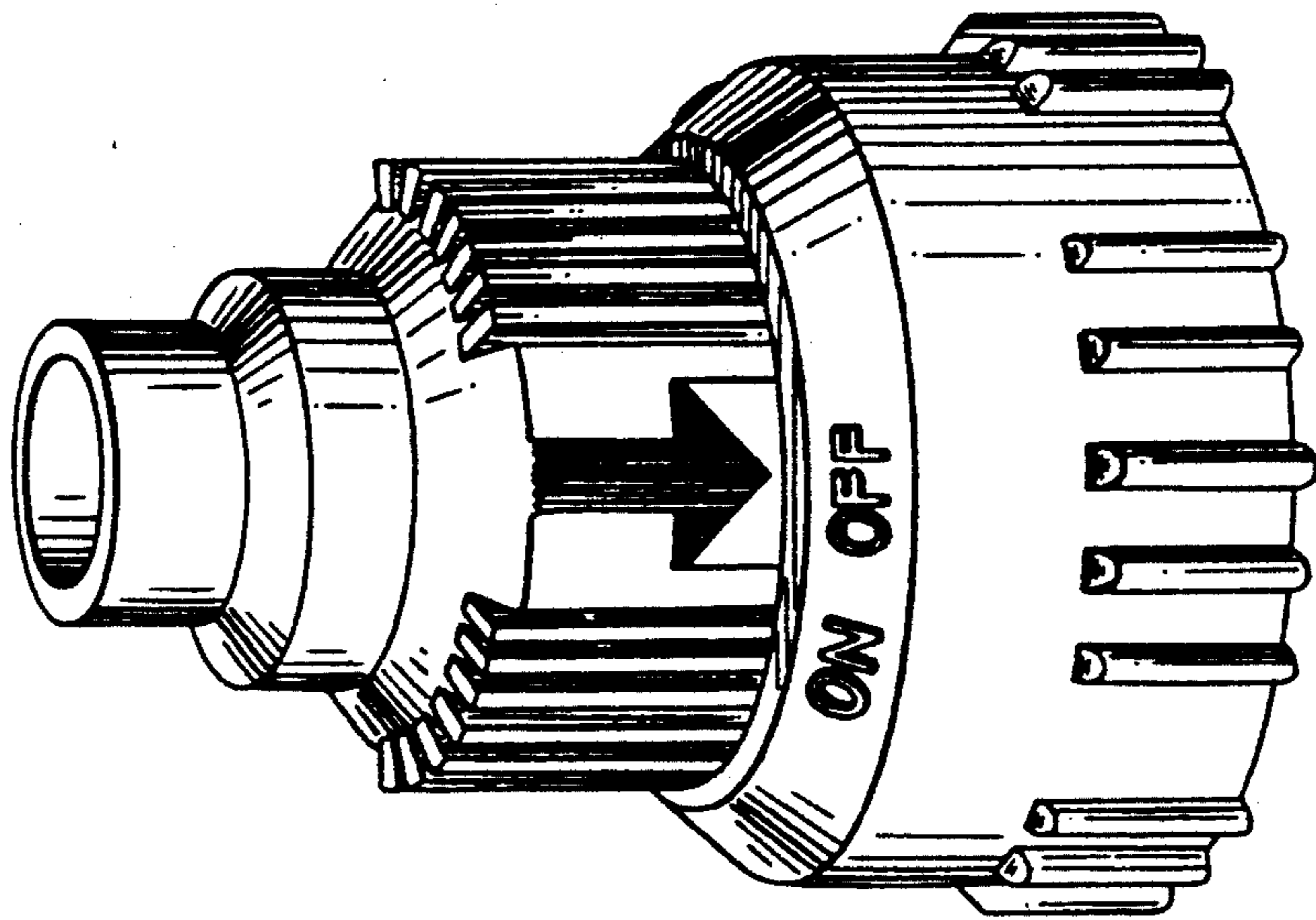


FIG. 1



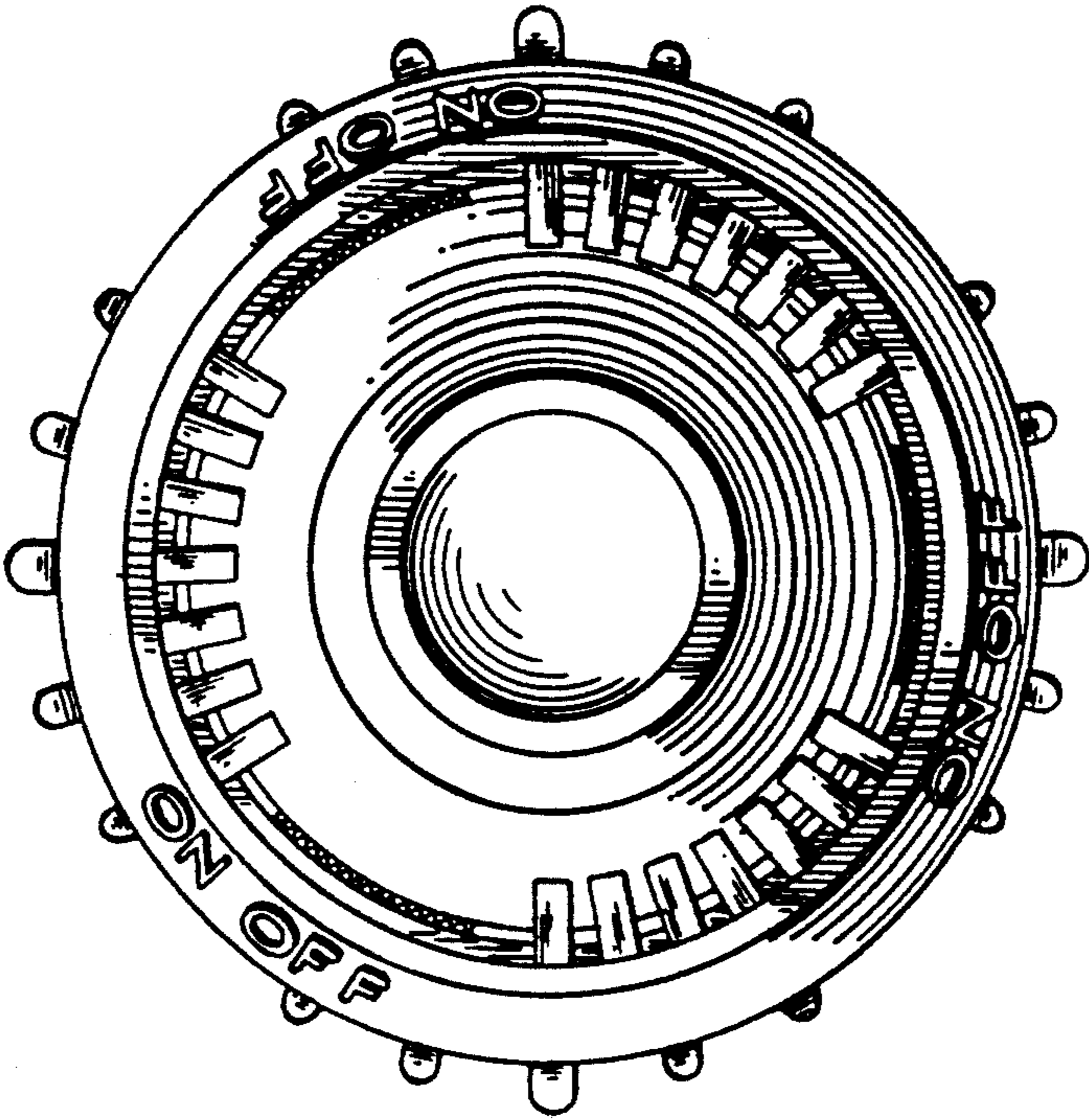


FIG. 4

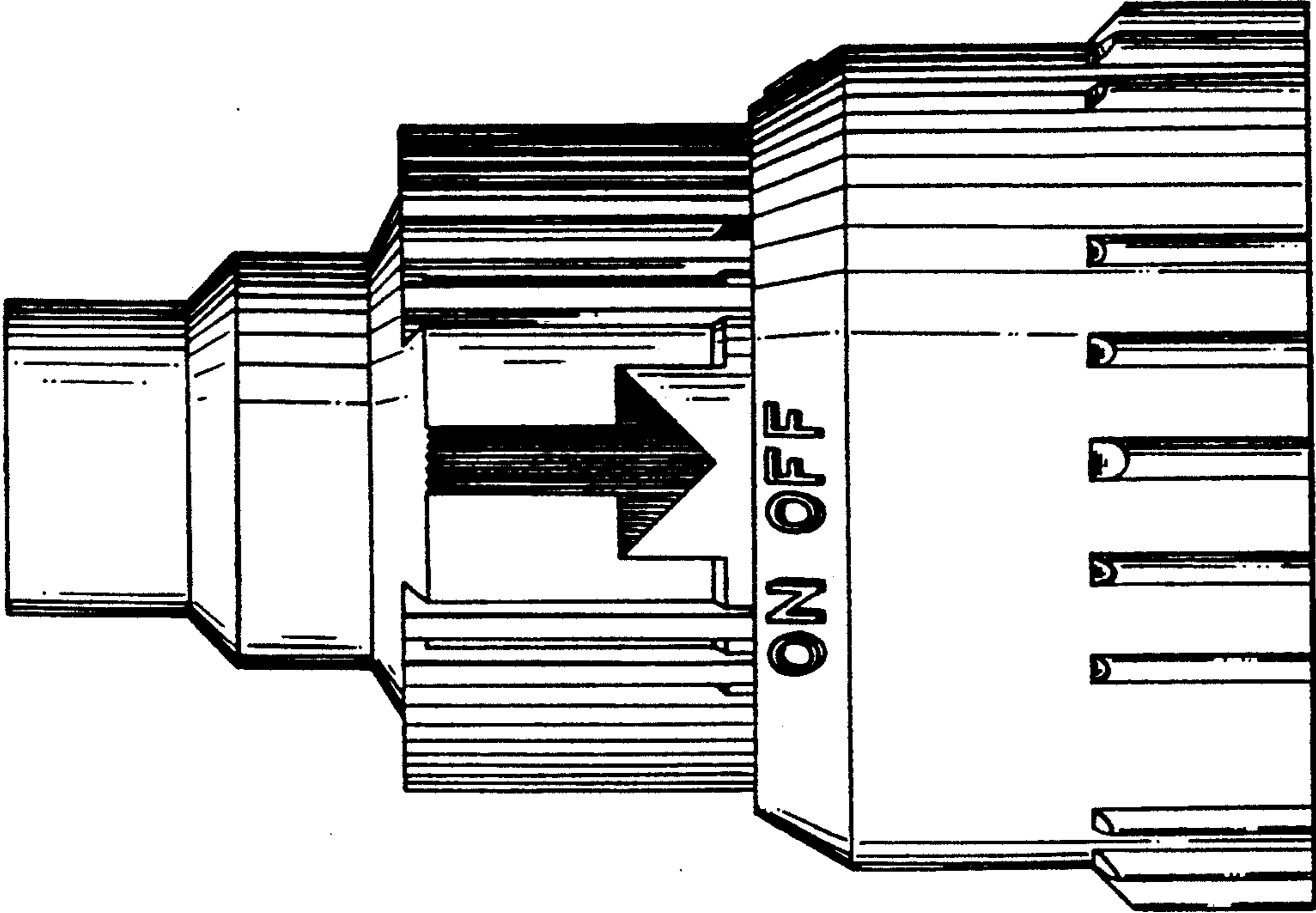


FIG. 3

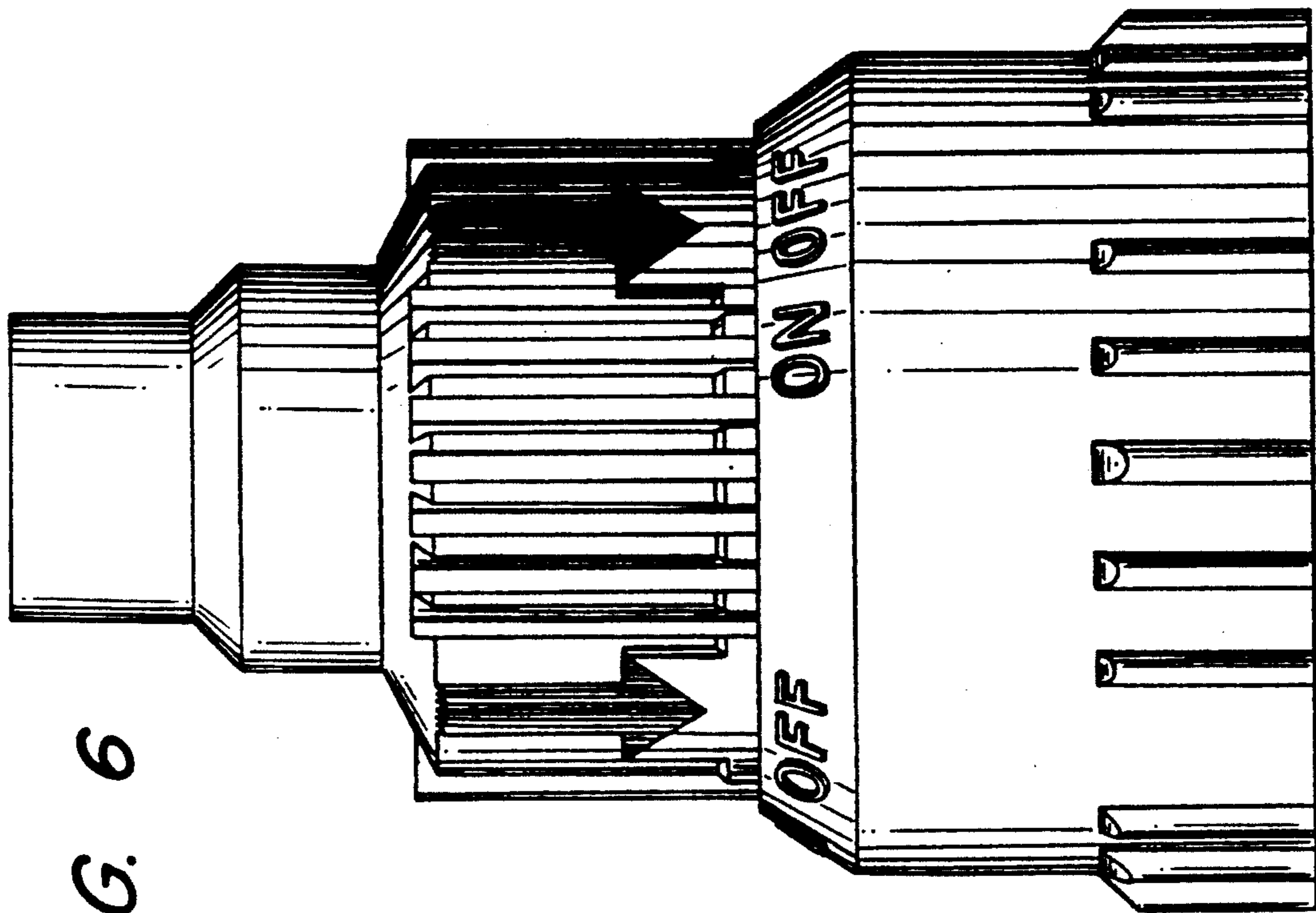


FIG. 6

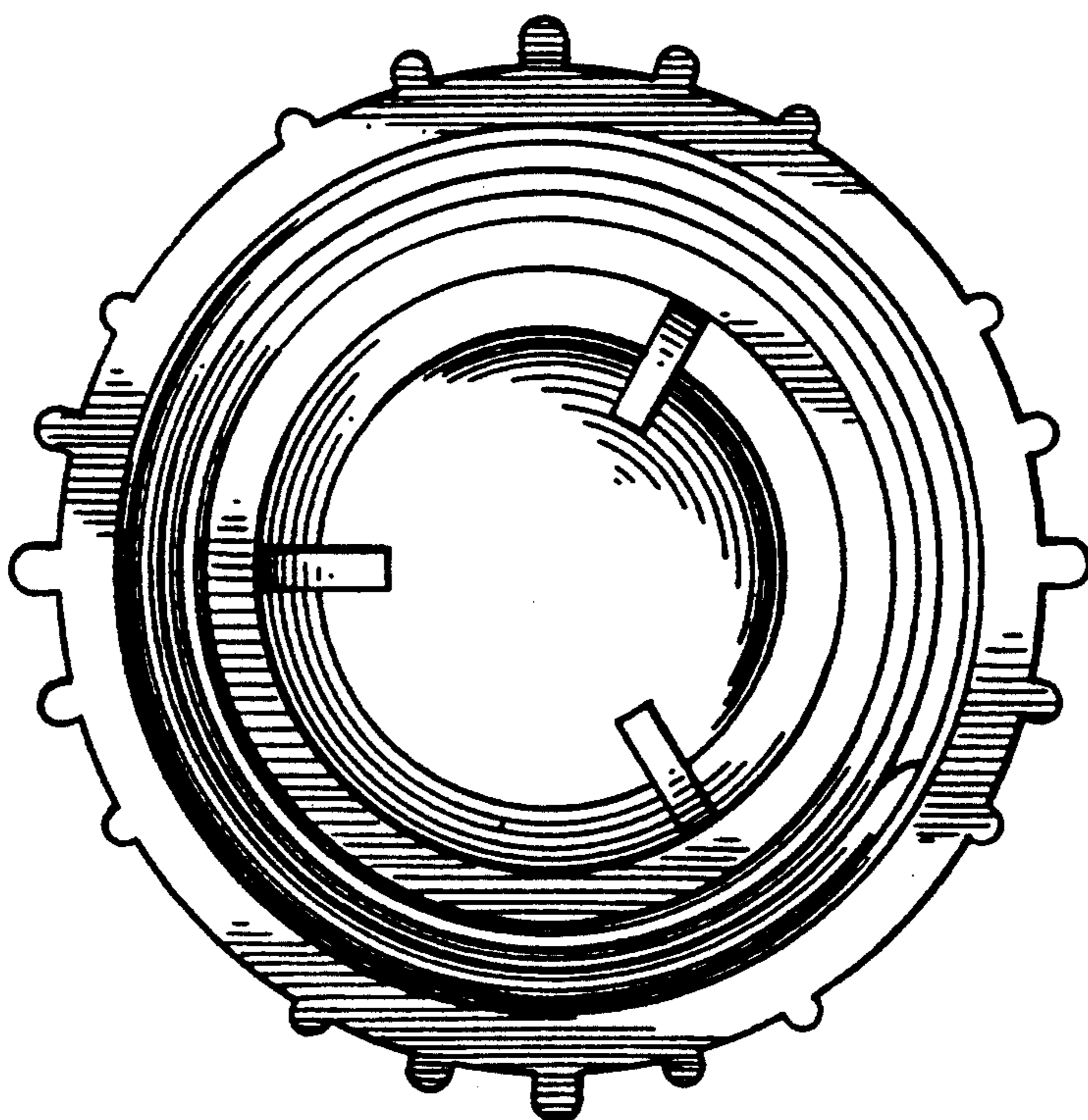


FIG. 5