



US00D336429S

United States Patent [19]

[11] Patent Number: **Des. 336,429**

Petoskey

[45] Date of Patent: **** Jun. 15, 1993**

[54] **COMBINED CLOSURE AND POUR SPOUT**

3,384,276 5/1968 Henningfield D9/447 X

[76] Inventor: **Leroy L. Petoskey**, 10963 N. Glass Rd., Farwell, Mich. 48622

Primary Examiner—Bernard Ansher
Assistant Examiner—Dominic Simone
Attorney, Agent, or Firm—Leon Gilden

[**] Term: **14 Years**

[21] Appl. No.: **655,964**

[57] **CLAIM**

[22] Filed: **Feb. 15, 1991**

the ornamental design for a combined closure and pour spout, as shown and described.

[52] U.S. Cl. **D9/447; D9/434**

[58] Field of Search **D9/434, 435, 447; 220/85 SP, 90-90.6, 369, 903, DIG. 5; 222/566, 570, 571**

DESCRIPTION

[56] **References Cited**

U.S. PATENT DOCUMENTS

D. 182,940 5/1958 Williams D9/447 X
D. 206,971 2/1967 Williams D9/447

FIG. 1 is a front elevational view of the combined closure and pour spout showing my new design; FIG. 2 is a rear elevational view thereof; FIG. 3 is a left side elevational view thereof; FIG. 4 is a right side elevational view thereof; FIG. 5 is a top plan view thereof; and, FIG. 6 is a bottom plan view thereof.

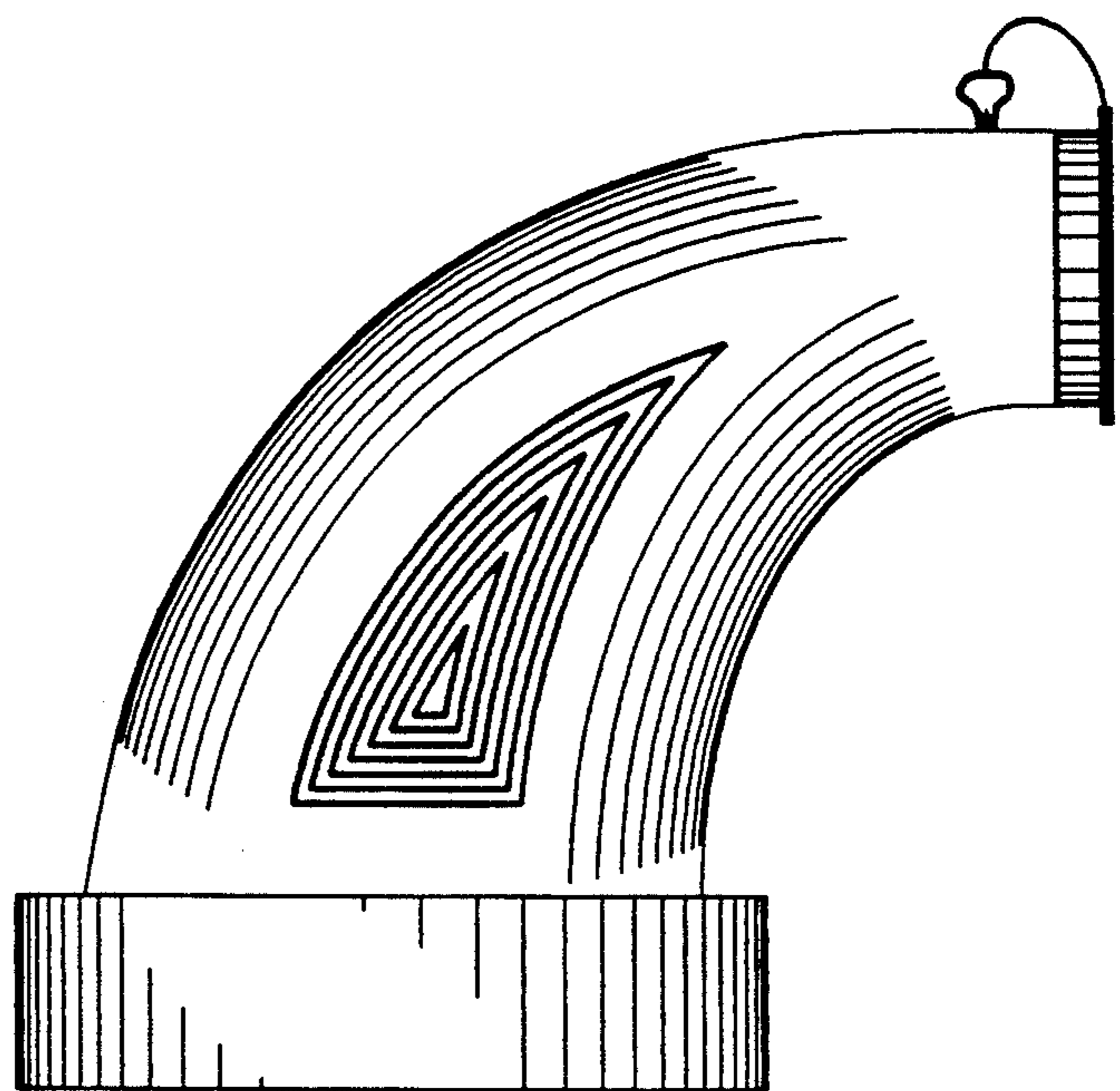
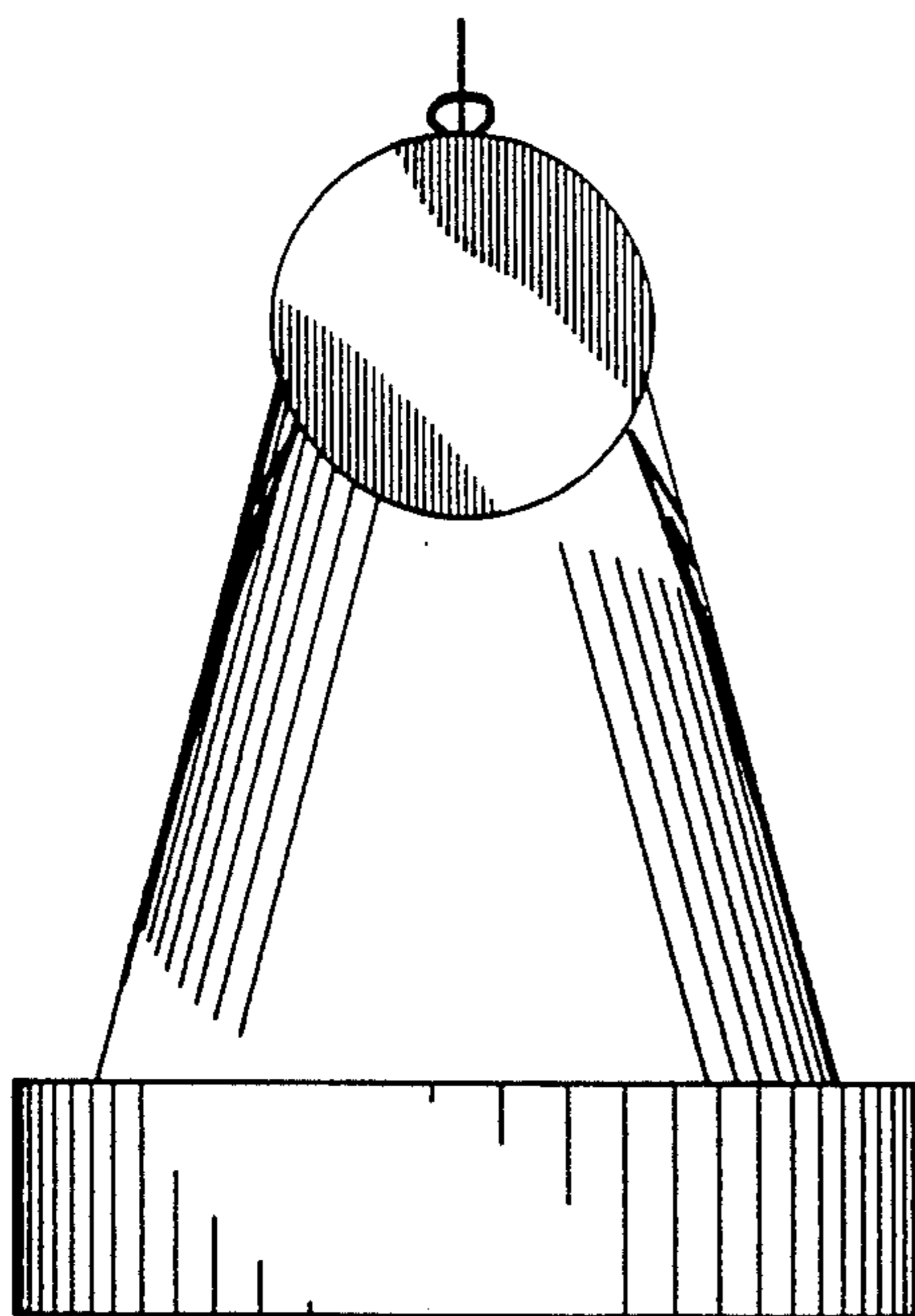


FIG. 1

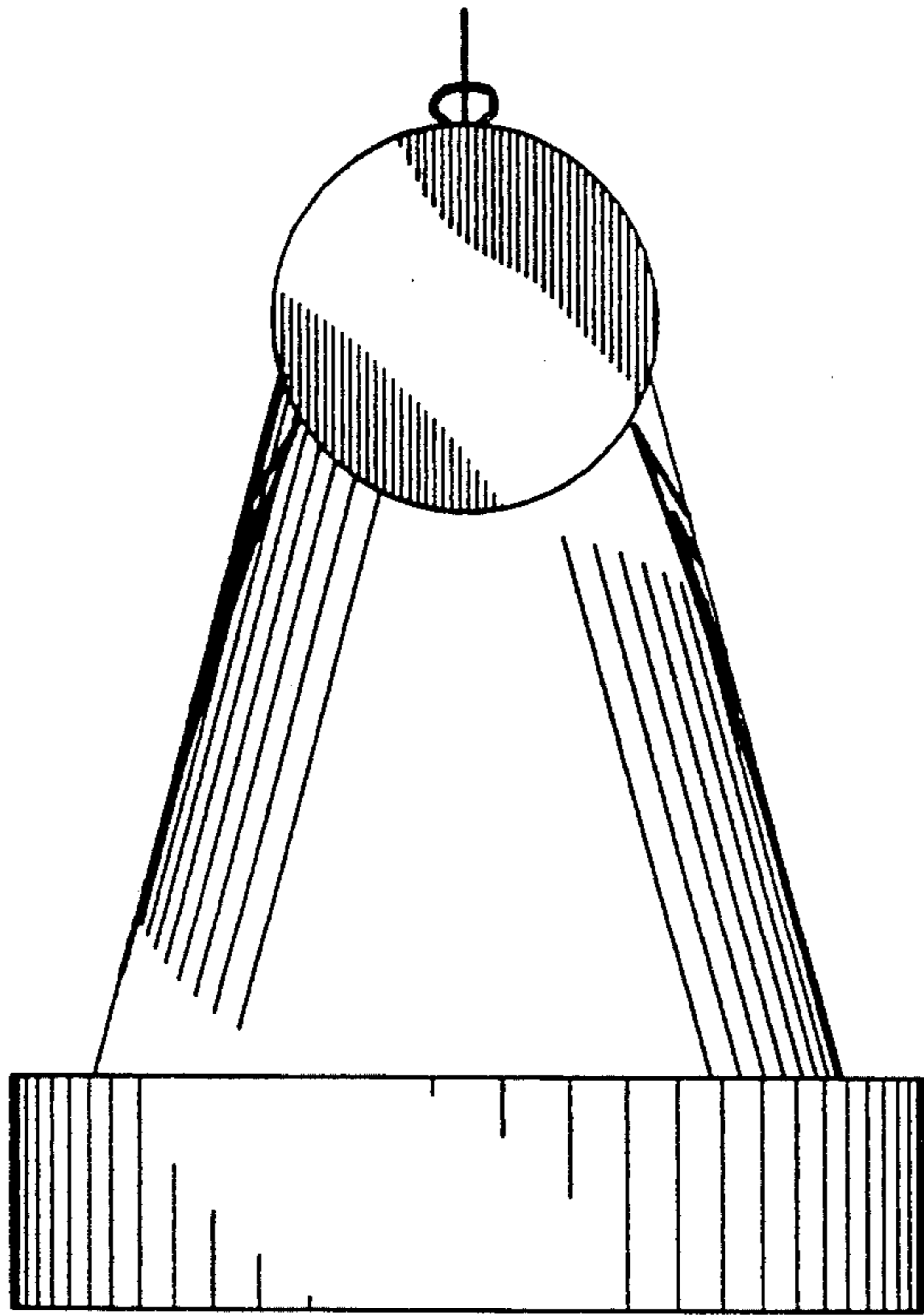


FIG. 2

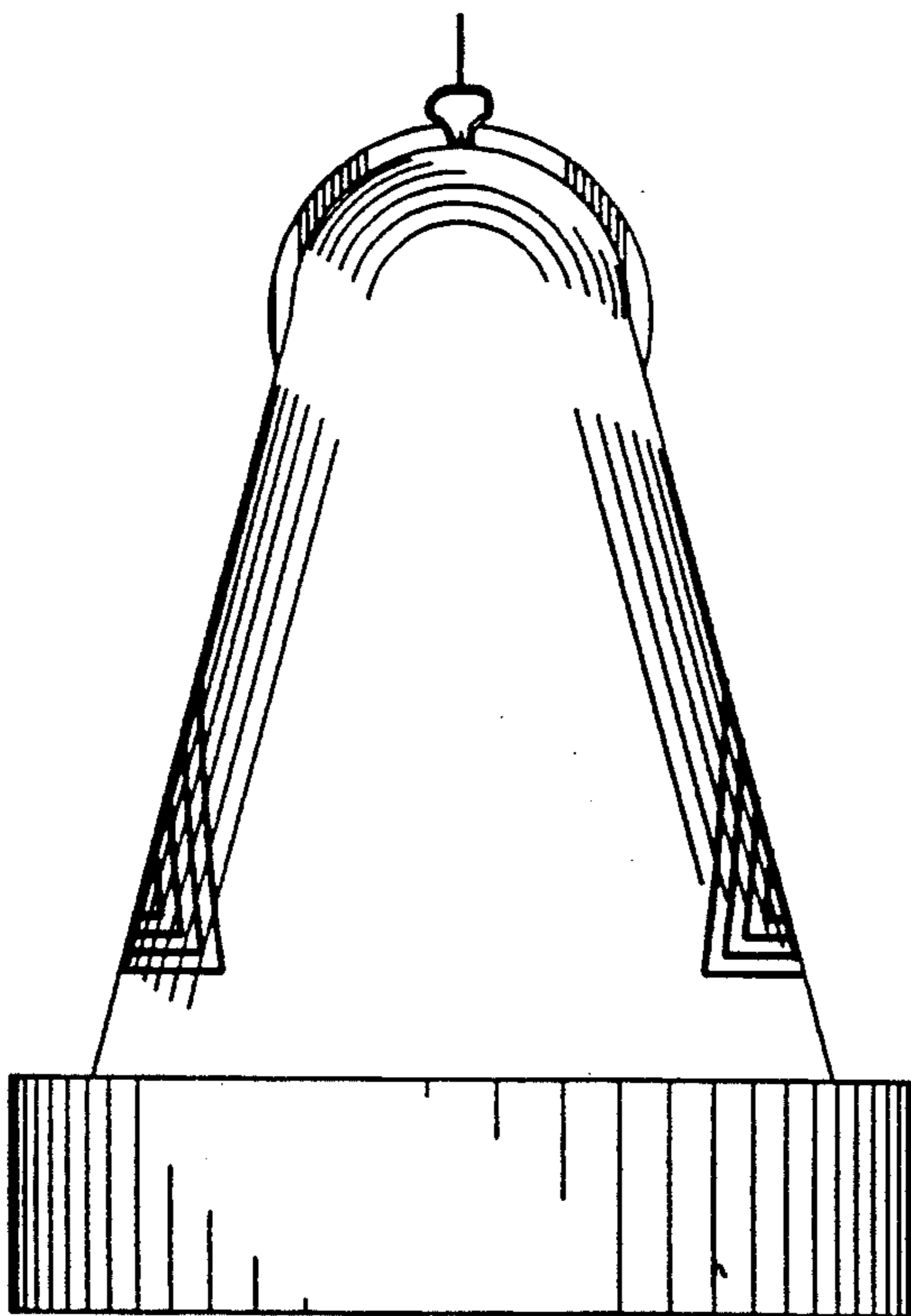


FIG. 3

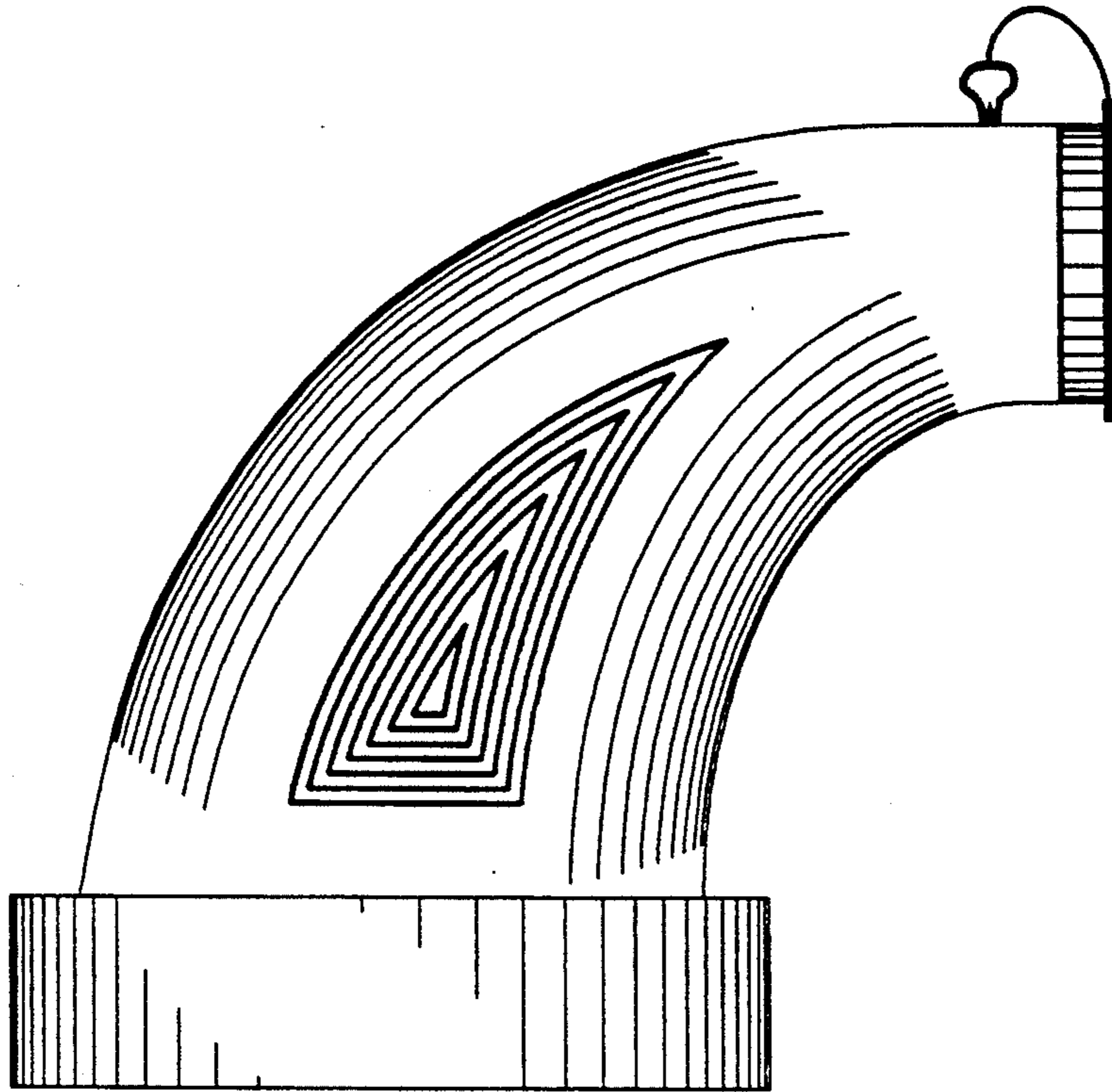


FIG. 4

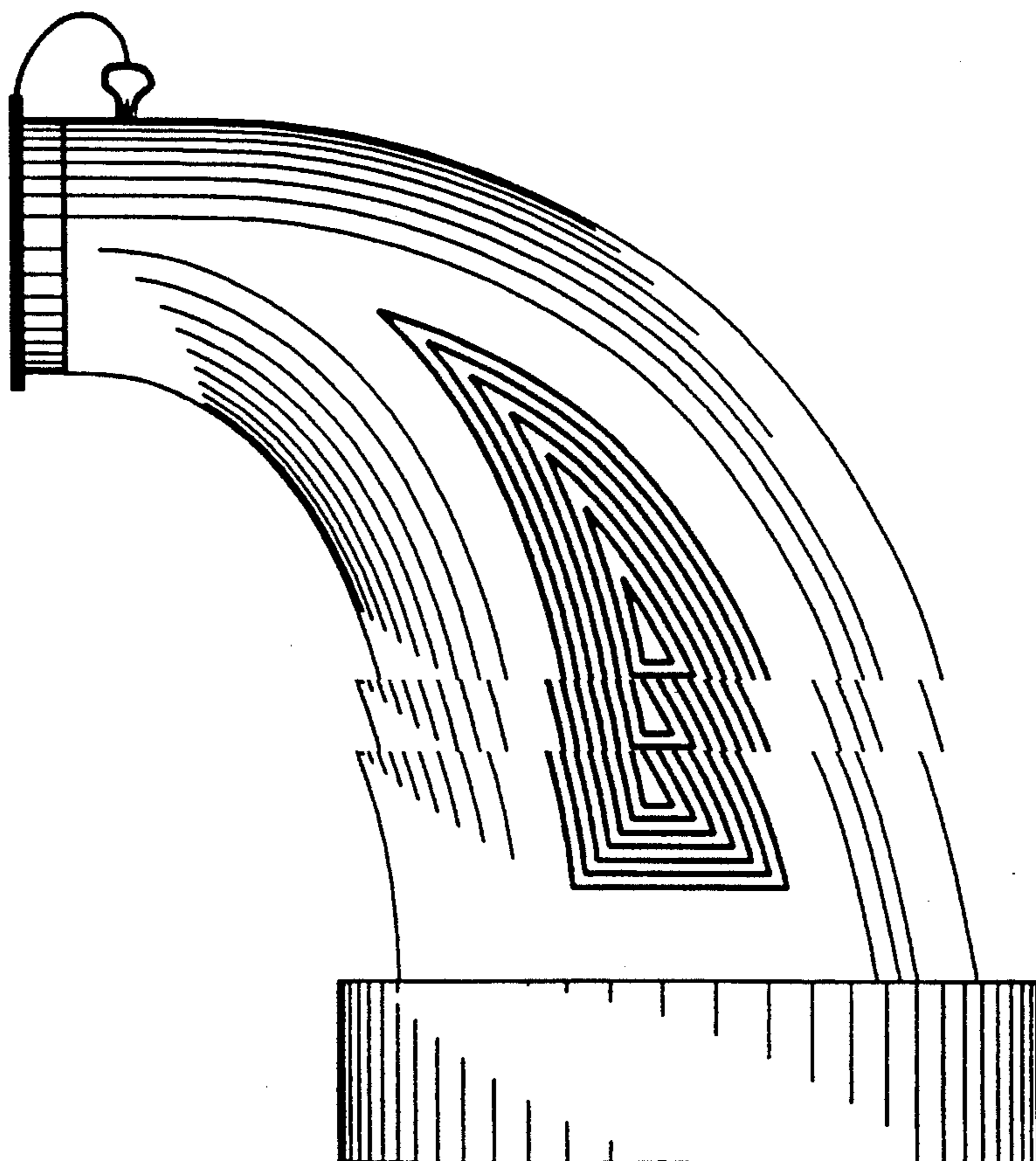


FIG. 5

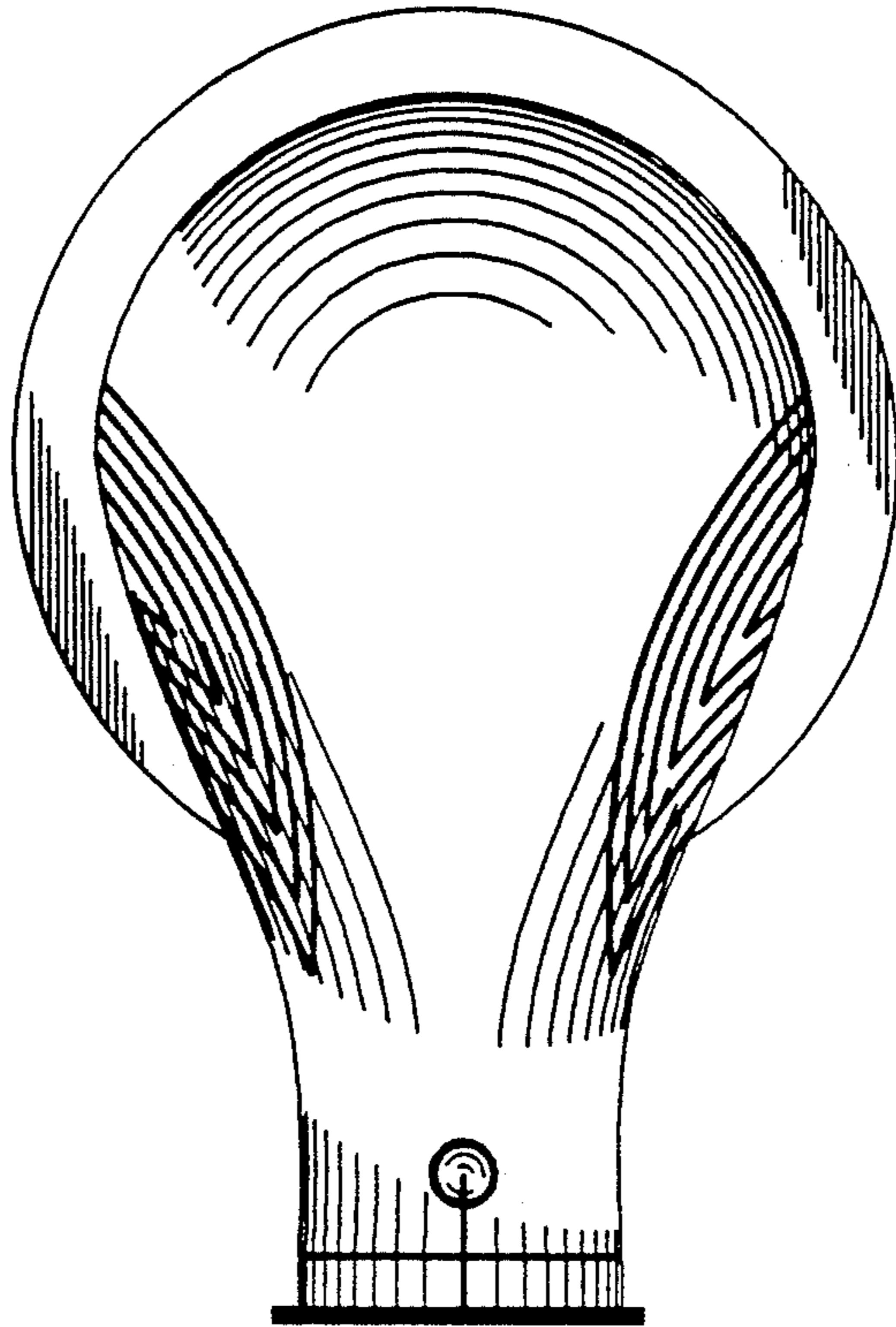


FIG. 6

