



US00D336427S

United States Patent [19]

[11] Patent Number: **Des. 336,427**

Mainiero

[45] Date of Patent: **** Jun. 15, 1993**

[54] CONTAINER FOR HELICAL BARBED TAPE

[75] Inventor: **Michael R. Mainiero**, Sandy Hook, Conn.

[73] Assignee: **Michael Industries, Inc.**, Mich.

[**] Term: **14 Years**

[21] Appl. No.: **651,495**

[22] Filed: **Feb. 6, 1991**

[52] U.S. Cl. **D9/423; D9/432**

[58] Field of Search **D3/76, 73, 74, 75, 77, D3/78, 79, 30.1; D9/423, 432, 337; 206/207, 205, 206, 223, 225, 234, 349, 397; 220/334, 639, 641, 324, 326, 337, 315, 318; D8/330, 331, 343**

[56] **References Cited**

U.S. PATENT DOCUMENTS

D. 129,108	8/1941	Sprague	D3/70
D. 142,262	8/1945	Paden	D3/70 X
D. 243,393	2/1977	Wynn	D3/70 X
D. 300,509	4/1989	Zitt	D3/76
D. 308,137	8/1990	Grecchi	D3/76

D. 327,220	6/1992	Proffitt et al.	D9/423
2,442,541	6/1948	Fox	220/DIG. 26 X
2,467,545	4/1949	Young	D9/423 X
2,923,400	2/1960	Craig	220/4.26 X
3,615,006	10/1971	Freed	206/454
4,615,464	10/1986	Byrns	220/324 X

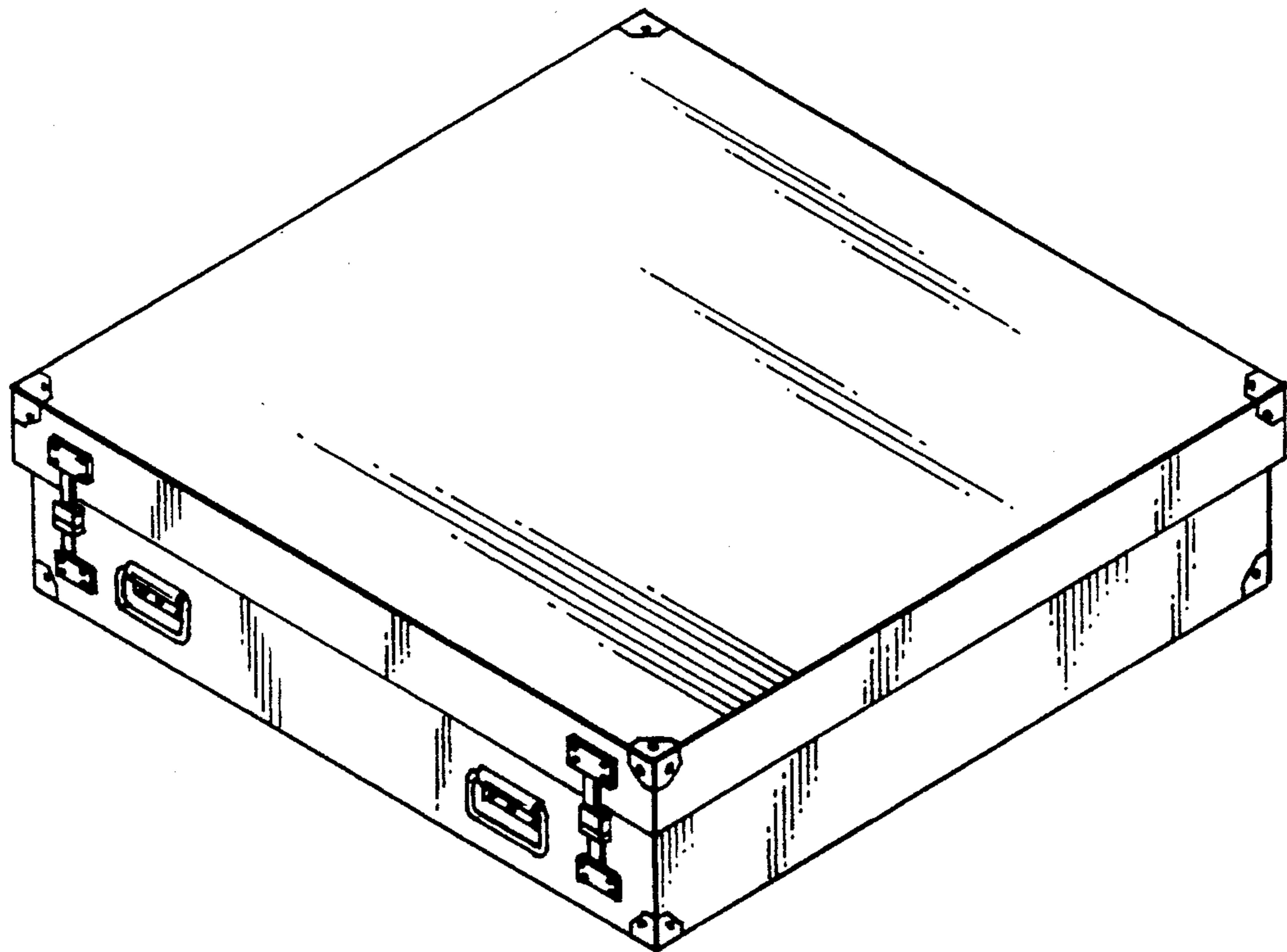
Primary Examiner—Bernard Ansher
Assistant Examiner—Prabhakar Deshmukh
Attorney, Agent, or Firm—Anthony J. Casella; Gerald E. Hespos

[57] **CLAIM**

The ornamental design for a container for helical barbed tape, as shown and described.

DESCRIPTION

FIG. 1 is a perspective view of a container for helical barbed tape showing my new design; FIG. 2 is a top plan view thereof; FIG. 3 is a front elevational view thereof; the rear elevational view being a mirror image thereof; FIG. 4 is a right side elevational view thereof; the left side elevational view being a mirror image thereof; and, FIG. 5 is a bottom plan view thereof.



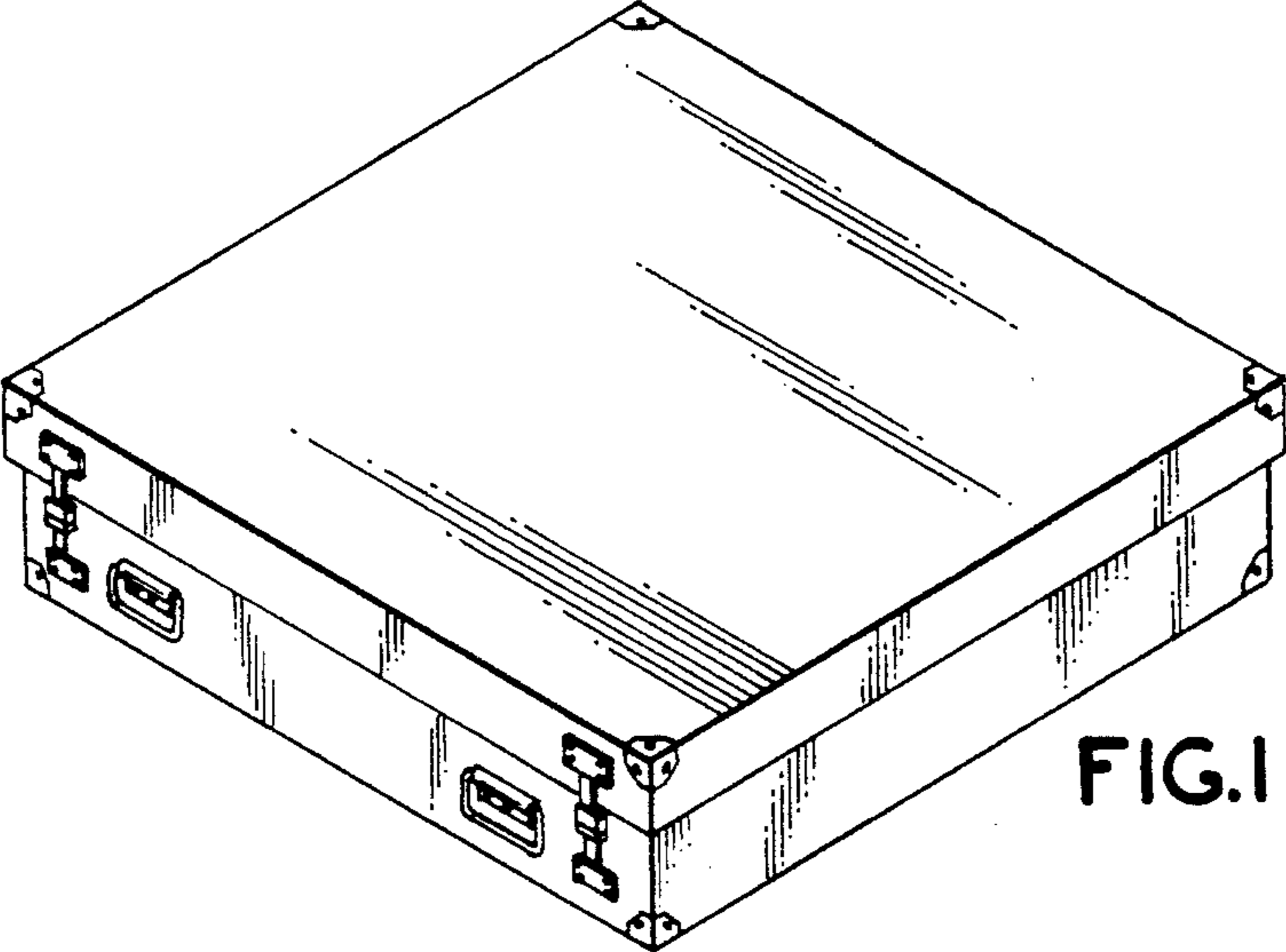


FIG. 1

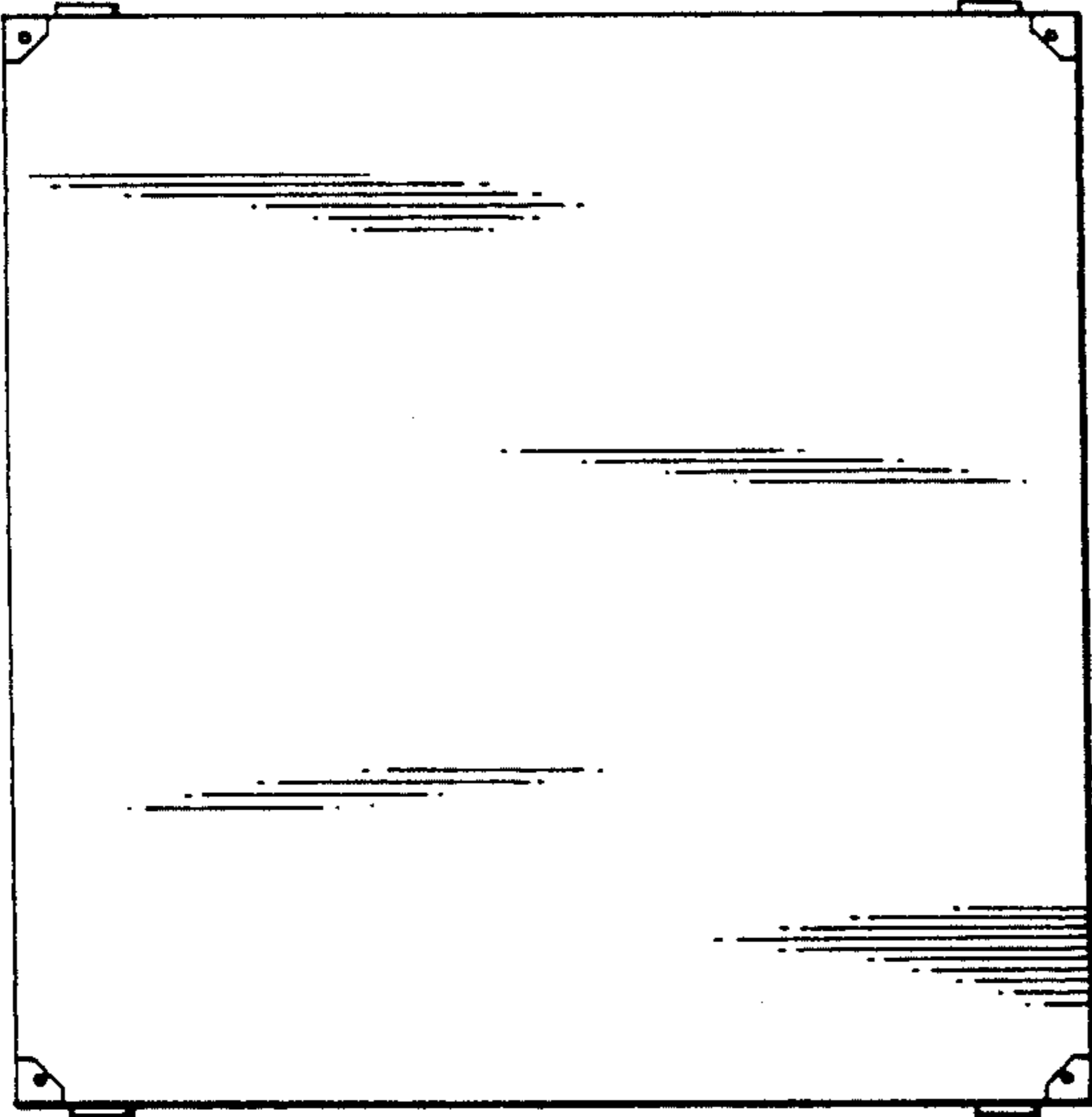


FIG. 2

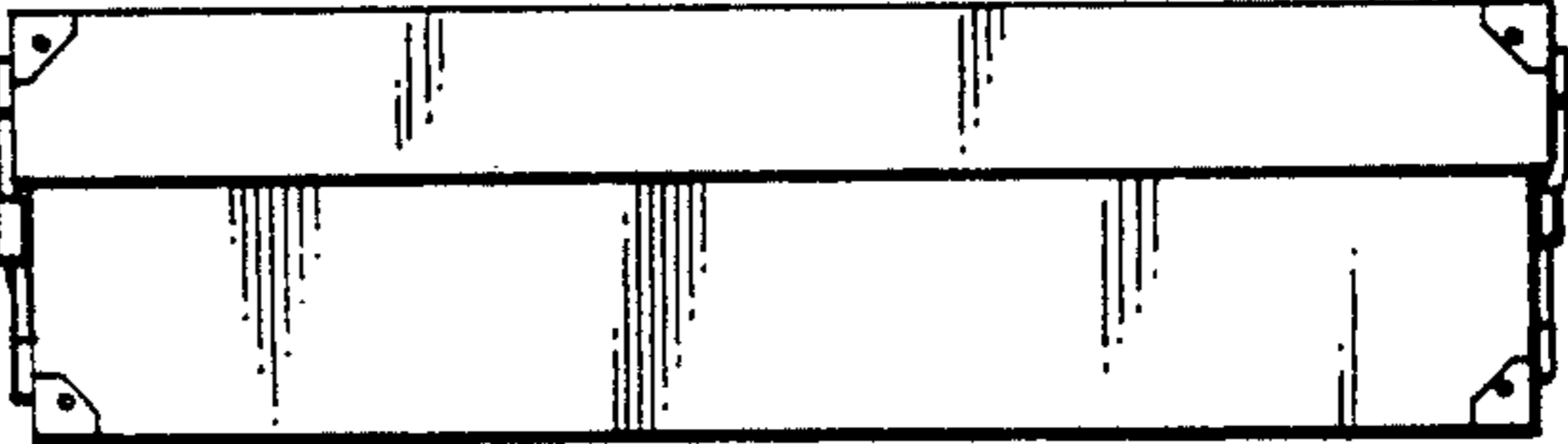


FIG. 4

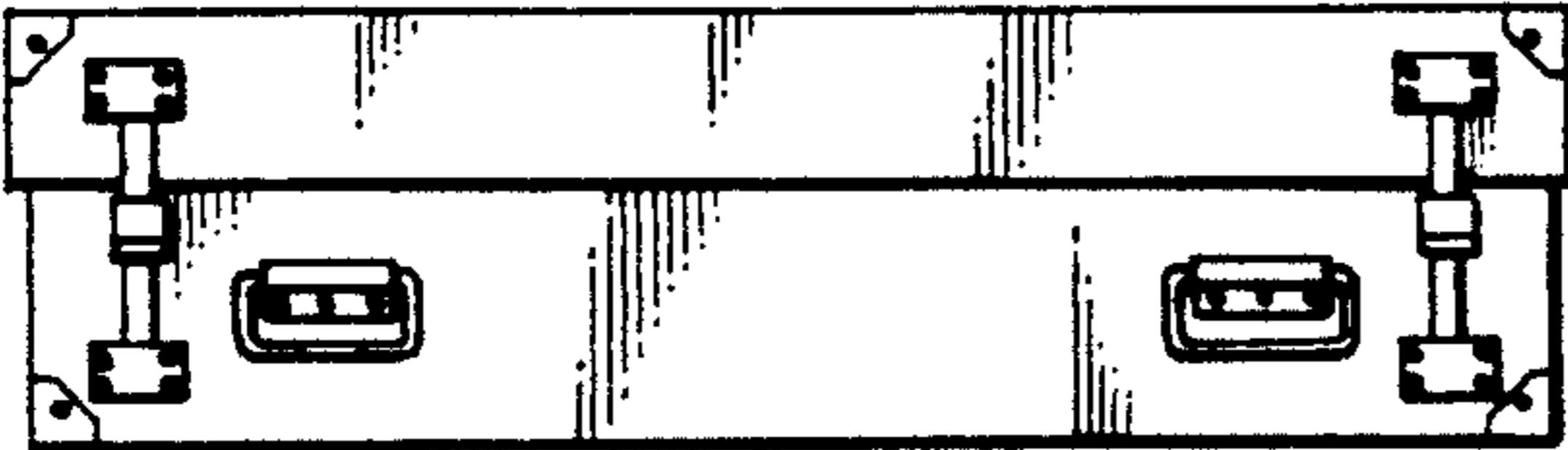


FIG. 3

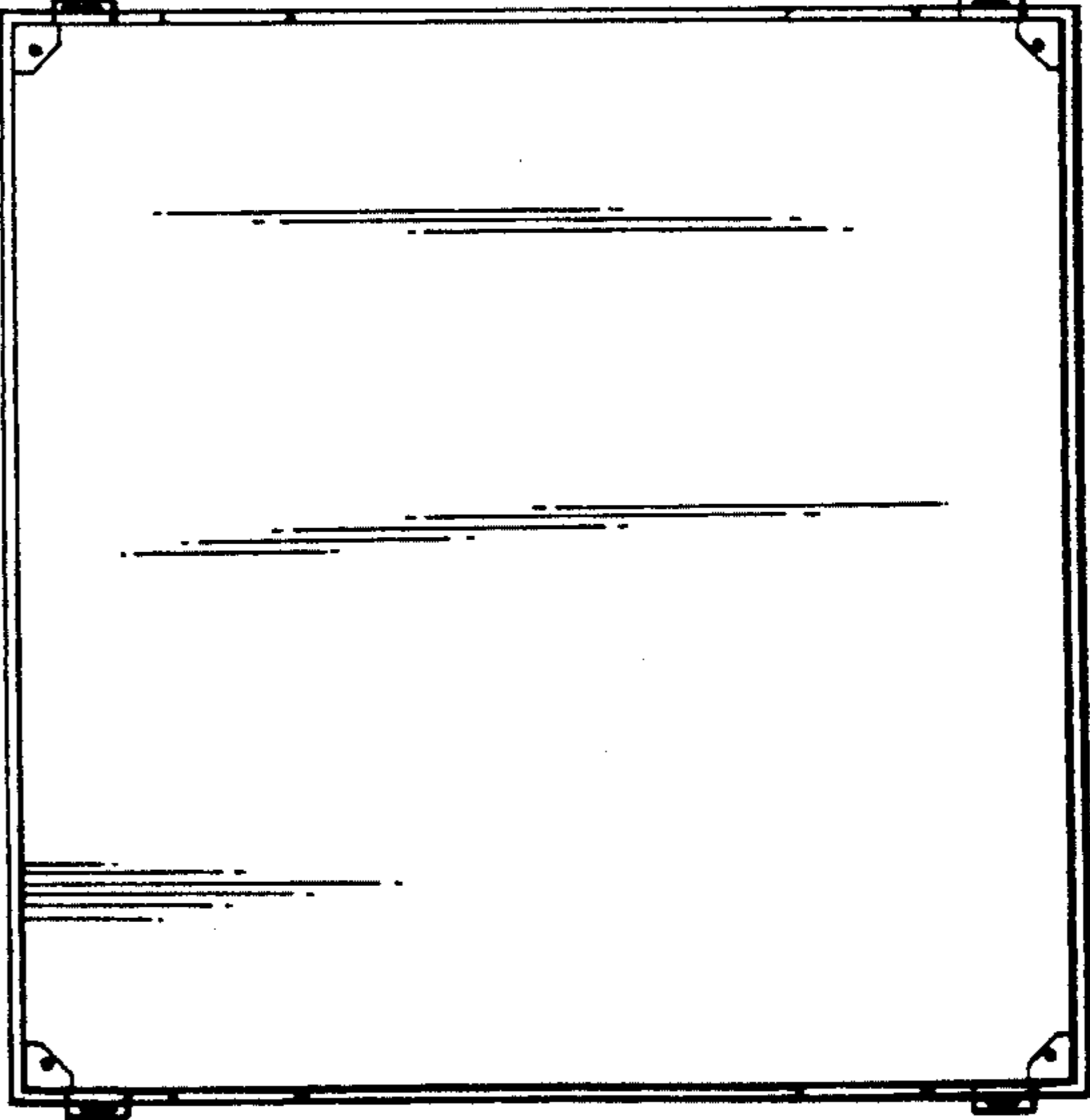


FIG. 5