



US00D336426S

# United States Patent [19]

[11] Patent Number: **Des. 336,426**

Fisher

[45] Date of Patent: **\*\* Jun. 15, 1993**

[54] **RAZOR HOLDER**

[76] Inventor: **Michael C. Fisher**, B 121222, Big Bear Lake, Calif. 92315

[\*\*] Term: **14 Years**

[21] Appl. No.: **794,163**

[22] Filed: **Nov. 18, 1991**

[52] U.S. Cl. .... **D9/342**

[58] Field of Search ..... **D9/342, 340, 339; 206/208, 228, 240, 349, 352, 353**

2,935,183 5/1960 Barnes, Jr. .... 206/228  
3,366,268 1/1968 Struck ..... 206/228 X  
5,042,658 8/1991 Tiramani et al. .... 206/352 X

*Primary Examiner*—Bernard Ansher  
*Assistant Examiner*—Prabhakar Deshmukh

[57] **CLAIM**

The ornamental design for a razor holder, as shown and described.

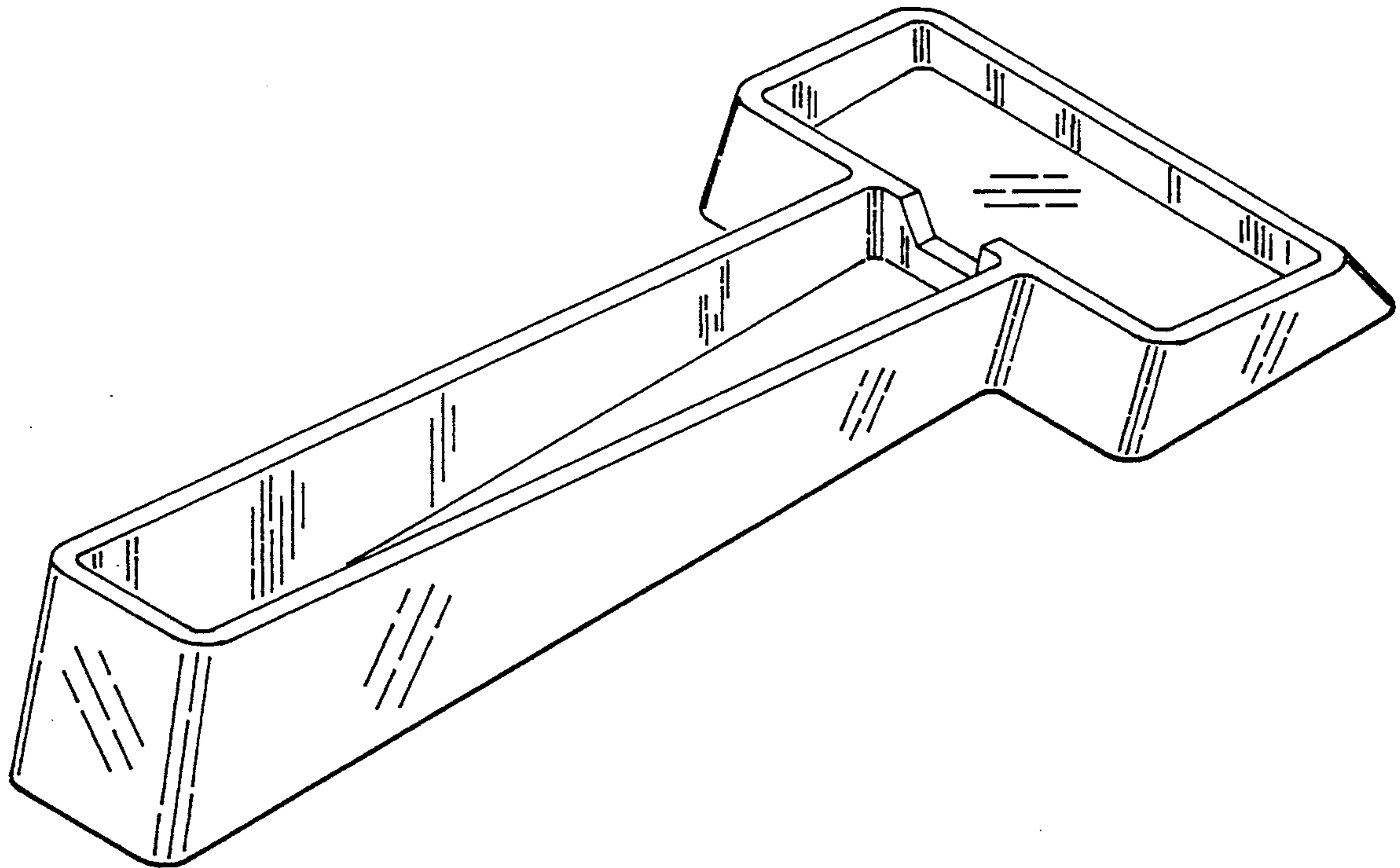
**DESCRIPTION**

FIG. 1 is a perspective view of a razor holder showing my new design;  
FIG. 2 is a top plan view thereof;  
FIG. 3 is a front elevational view thereof;  
FIG. 4 is a rear elevational view thereof;  
FIG. 5 is a left side elevational view thereof; the right side elevational view being a mirror image thereof; and,  
FIG. 6 is a bottom plan view thereof.

[56] **References Cited**

**U.S. PATENT DOCUMENTS**

D. 226,478	8/1973	Glaberson	.....	D9/342
D. 226,754	4/1973	Glaberson	.....	D9/342
D. 227,234	6/1973	Glaberson	.....	D9/342
D. 256,995	9/1980	Kiraly	.....	D9/342
2,551,859	5/1951	Thompson	.....	206/208



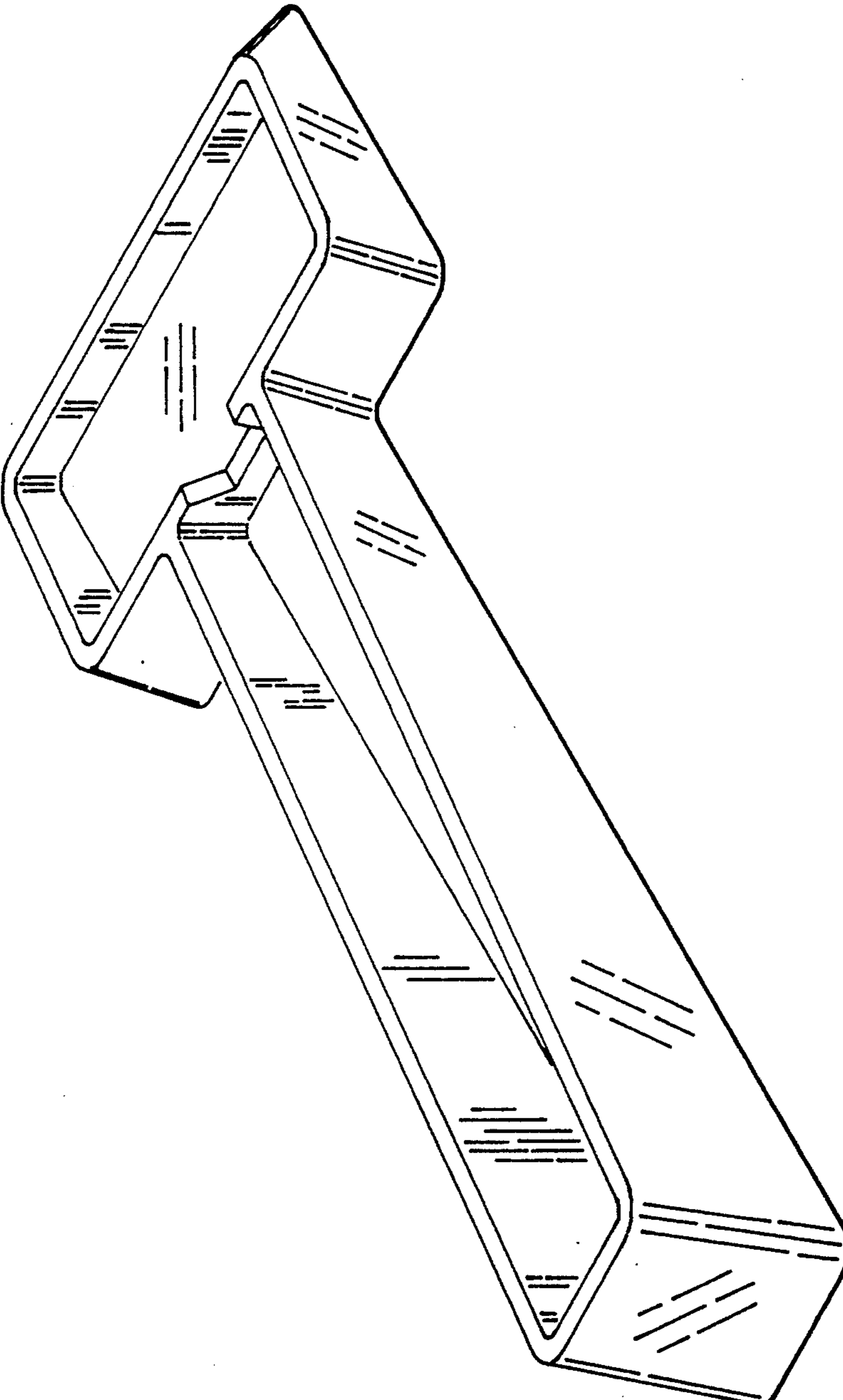


FIG. 1



FIG. 5

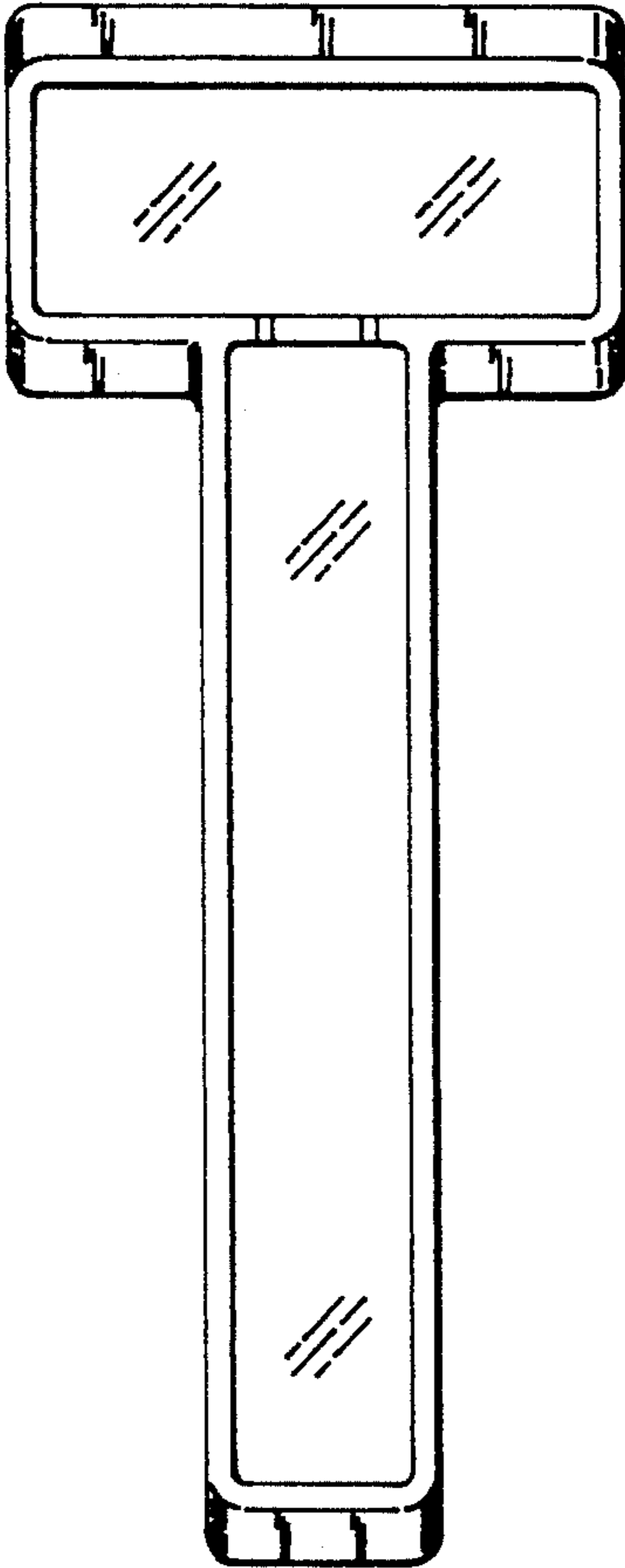


FIG. 2

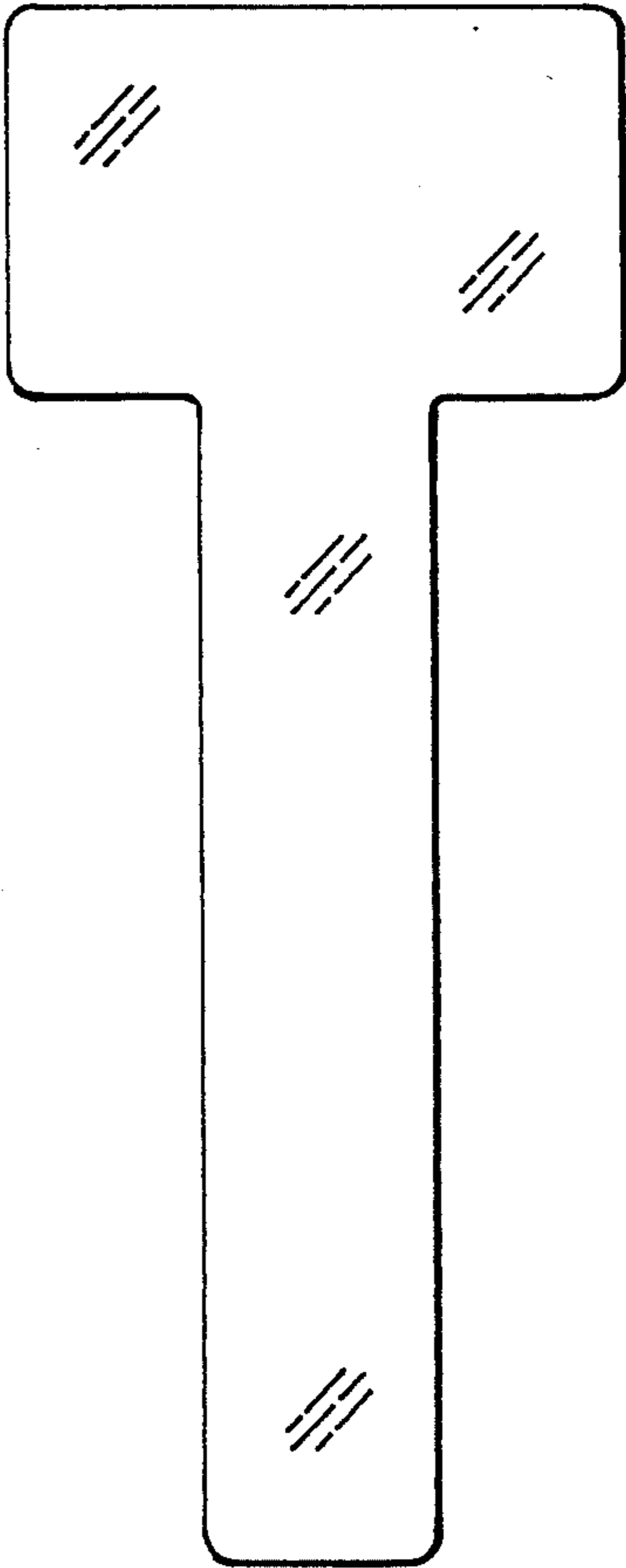


FIG. 6

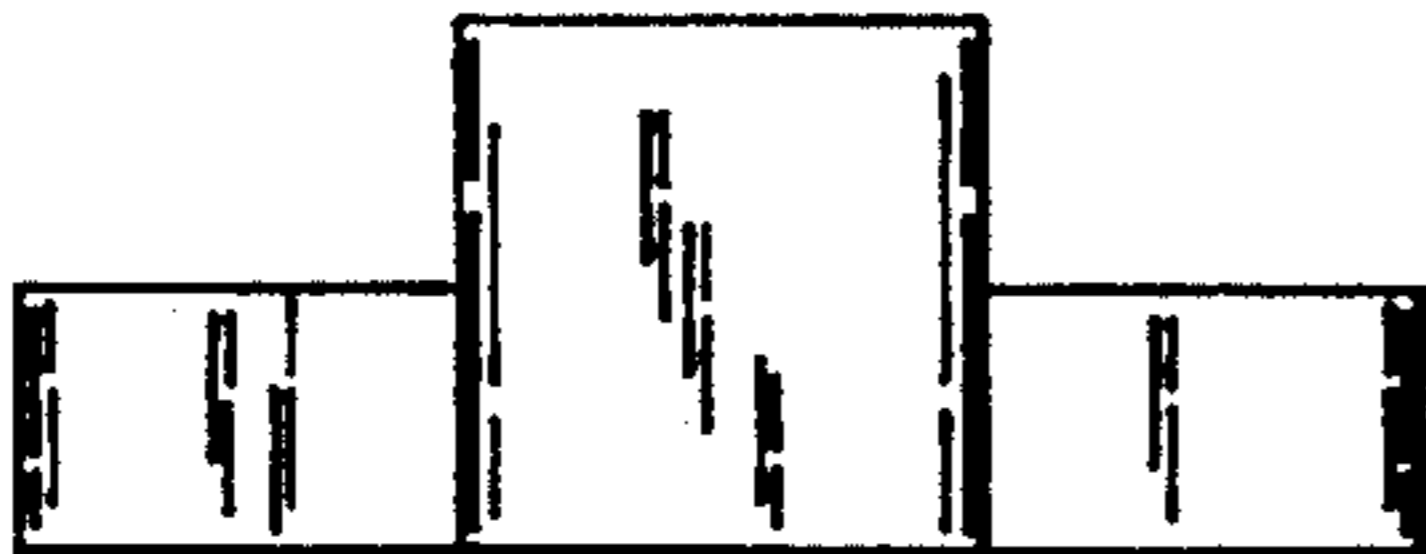


FIG. 4

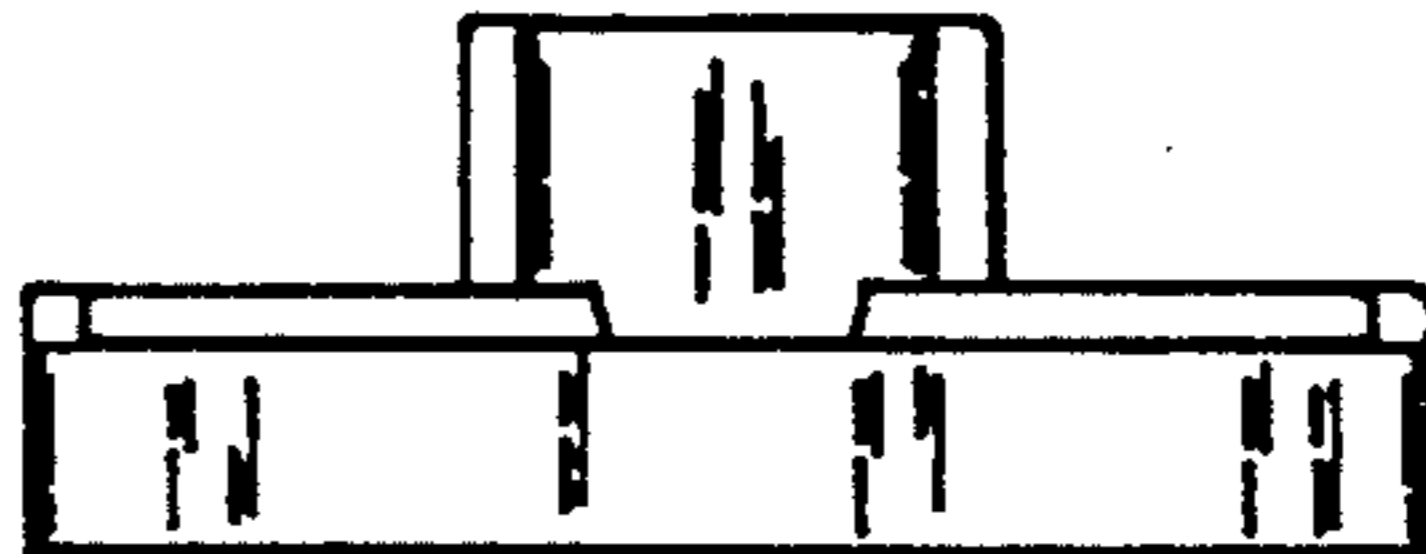


FIG. 3