



US00D336425S

# United States Patent [19]

Napora, Jr.

[11] Patent Number: **Des. 336,425**

[45] Date of Patent: **\*\* Jun. 15, 1993**

[54] **DOUBLE ENDED MARKING INSTRUMENT**

[76] Inventor: **John W. Napora, Jr.**, 530 Wheeler Ave., Scranton, Pa. 18510

[\*\*] Term: **14 Years**

[21] Appl. No.: **719,564**

[22] Filed: **Jun. 24, 1991**

[52] U.S. Cl. .... **D9/338; D19/41; D19/43**

[58] Field of Search ..... **D9/338, 435, 436; D19/38, 41, 43, 55, 57; D32/45; 401/34, 37, 27, 28, 256, 262, 265, 266**

[56] **References Cited**

**U.S. PATENT DOCUMENTS**

D. 268,501	4/1983	Krückel et al. ....	D19/43
D. 268,935	5/1983	Horntrich .....	D19/43
D. 295,537	5/1988	Davidson et al. ....	D19/43
D. 303,124	8/1989	Li .....	D19/41 X
D. 306,316	2/1990	Shintani .....	D19/41 X

3,684,389	8/1972	Eron et al. ....	401/34 X
4,509,875	4/1985	Shintani .....	401/34
4,557,618	12/1985	Iwata et al. ....	401/34

*Primary Examiner*—Bernard Ansher  
*Assistant Examiner*—Mitchell I. Siegel  
*Attorney, Agent, or Firm*—Leon Gildden

[57] **CLAIM**

The ornamental design for a double ended marking instrument, as shown and described.

**DESCRIPTION**

FIG. 1 is a front elevational view of the double ended marking instrument showing my new design; FIG. 2 is a rear elevational view thereof; FIG. 3 is a left side elevational view thereof; FIG. 4 is a right side elevational view thereof; FIG. 5 is a top plan view thereof; FIG. 6 is a bottom plan view thereof; and, FIG. 7 is an exploded isometric view thereof, shown for clarity of illustration.

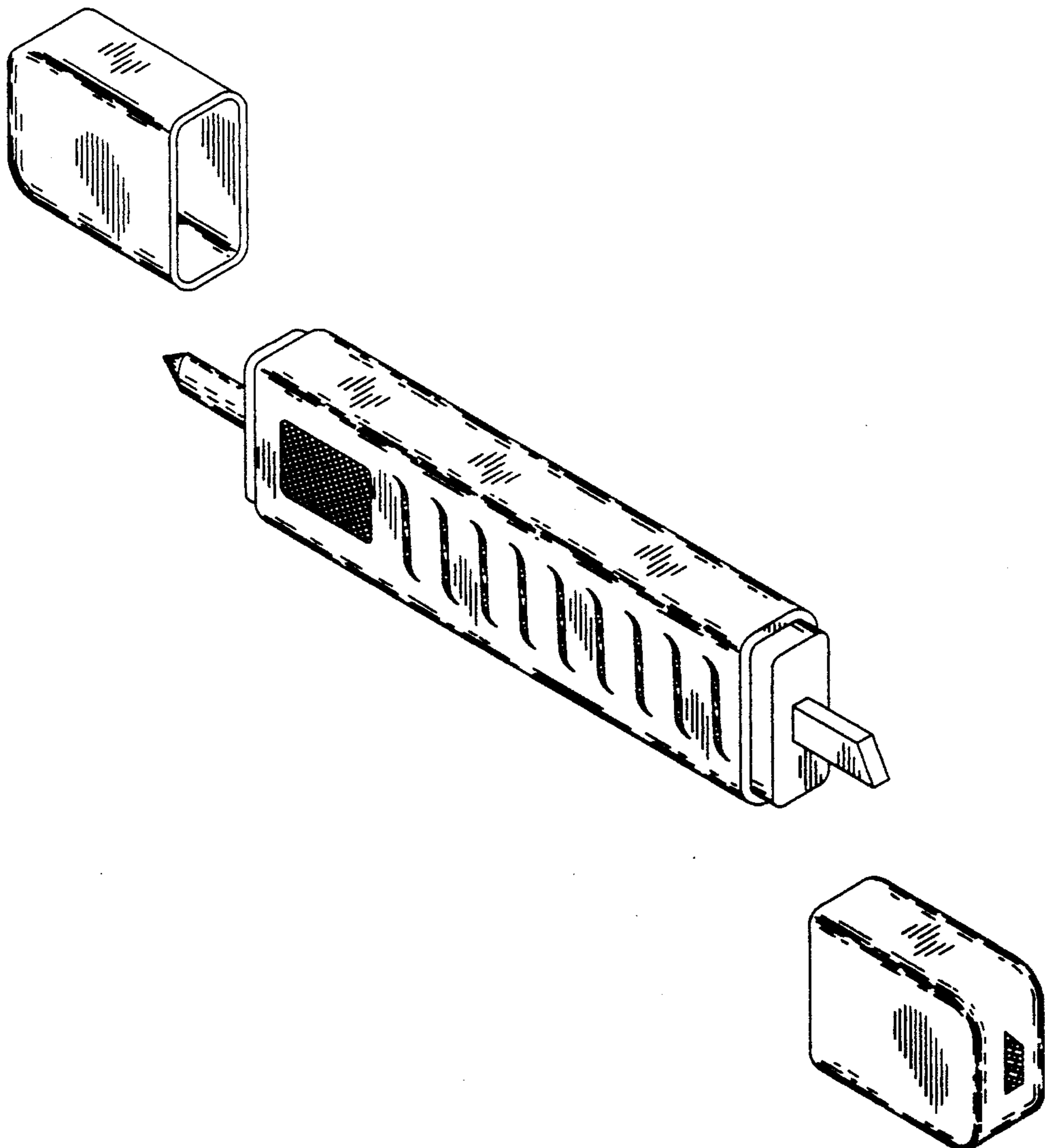


FIG. 1

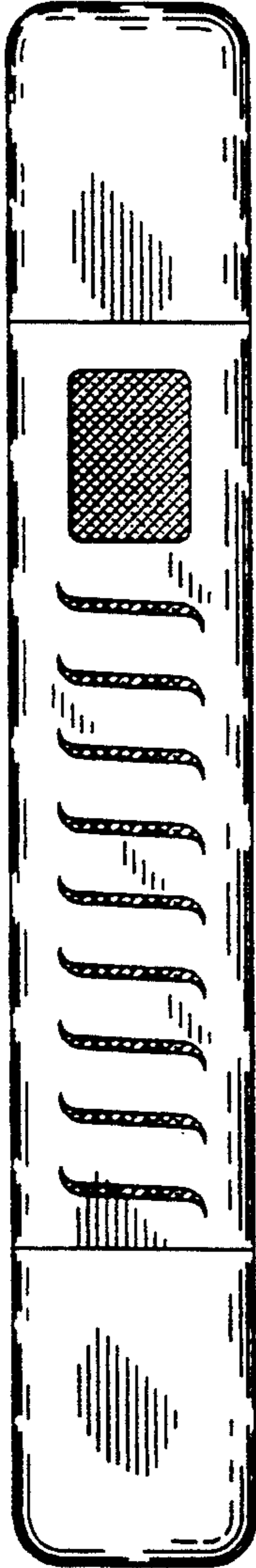
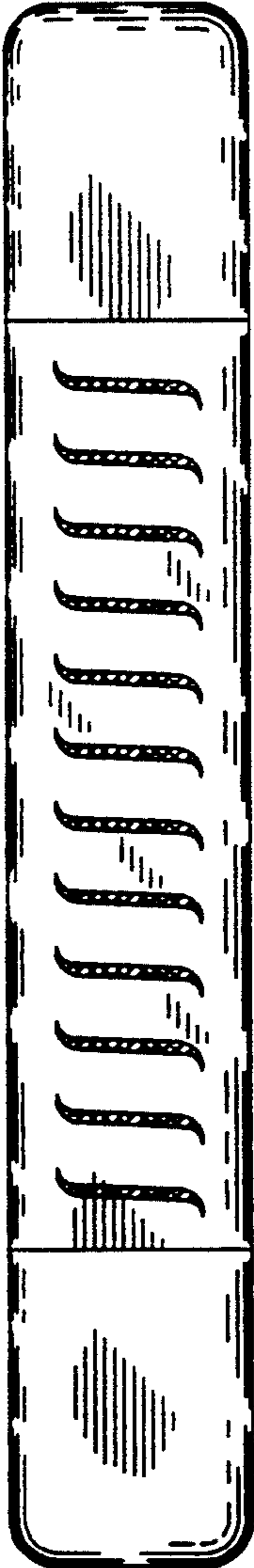


FIG. 2



*FIG. 3*



*FIG. 4*



*FIG. 5*



*FIG. 6*



FIG. 7

