



US00D336420S

United States Patent [19]

Fujimoto

[11] Patent Number: **Des. 336,420**

[45] Date of Patent: **** Jun. 15, 1993**

[54] **PRINTED BOARD HOLDER**

[75] Inventor: **Nobuaki Fujimoto, Okazaki, Japan**

[73] Assignee: **Kitagawa Industries Co., Ltd., Japan**

[**] Term: **14 Years**

[21] Appl. No.: **667,080**

[22] Filed: **Mar. 11, 1991**

[30] **Foreign Application Priority Data**

Sep. 11, 1990 [JP] Japan 2-30573

[52] U.S. Cl. **D8/354**

[58] Field of Search D8/356, 354; 174/153 G; 24/136 R, 493, 111 G; 248/74.3

[56] **References Cited**

U.S. PATENT DOCUMENTS

2,758,498	8/1956	Johnson	24/453 X
3,093,027	6/1963	Rapata	24/453 X
3,352,195	11/1967	Fisher	24/453 X
3,621,751	11/1971	Fiorentino	24/453 X
4,470,178	9/1984	Matsui	
4,470,737	9/1984	Waller	24/453 X
4,604,776	8/1976	Takahashi	

4,629,356	12/1986	Hayashi	
4,669,688	6/1987	Hoh et al.	248/74.3 X
4,674,910	6/1987	Hayashi	
4,724,584	2/1988	Kasai	24/115 G
4,781,488	11/1988	Hayashi	
4,850,773	7/1989	Asami	24/453 X

FOREIGN PATENT DOCUMENTS

701402 12/1986 Japan .

Primary Examiner—Wallace R. Burke

Assistant Examiner—H. Baynham

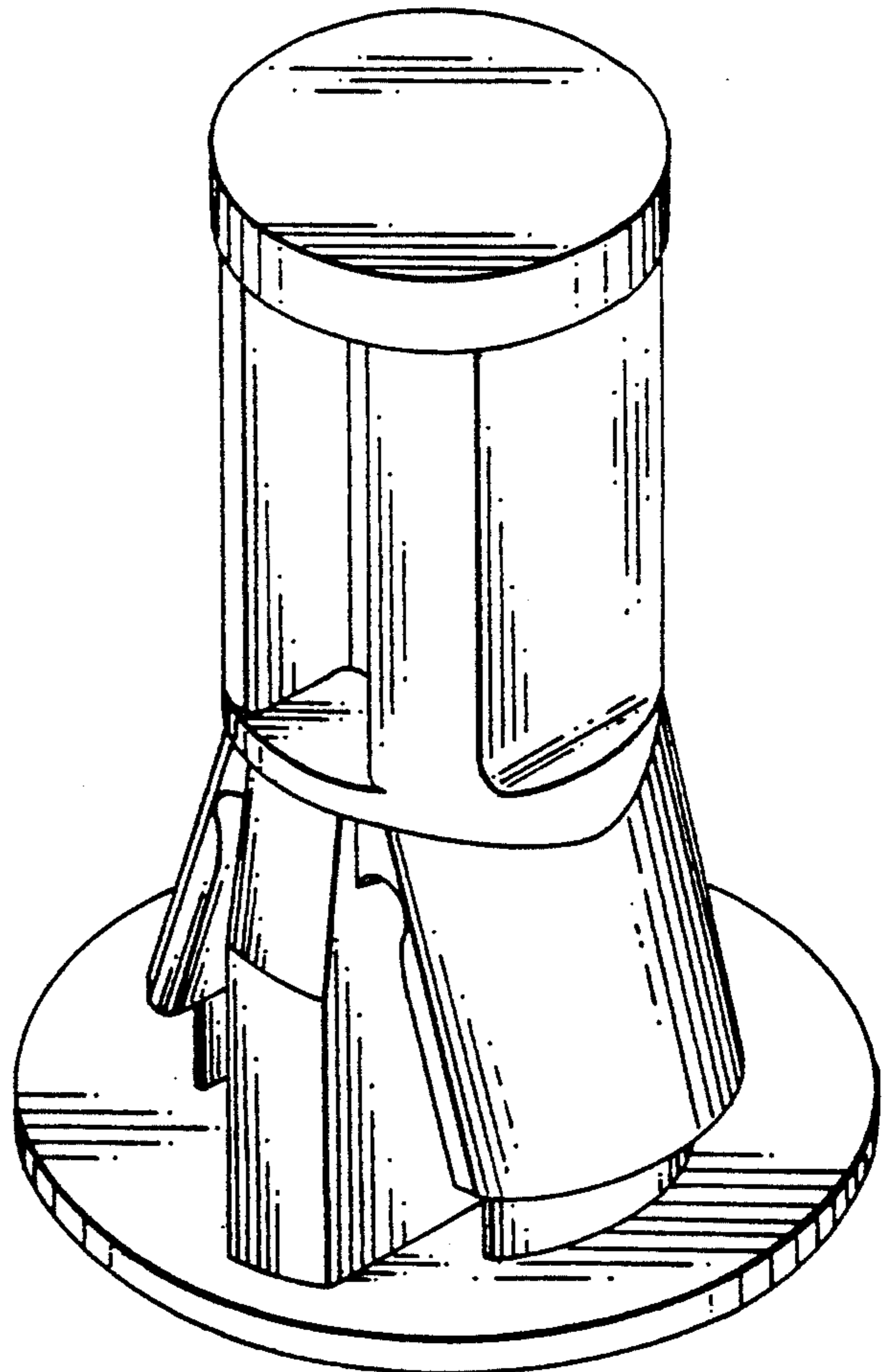
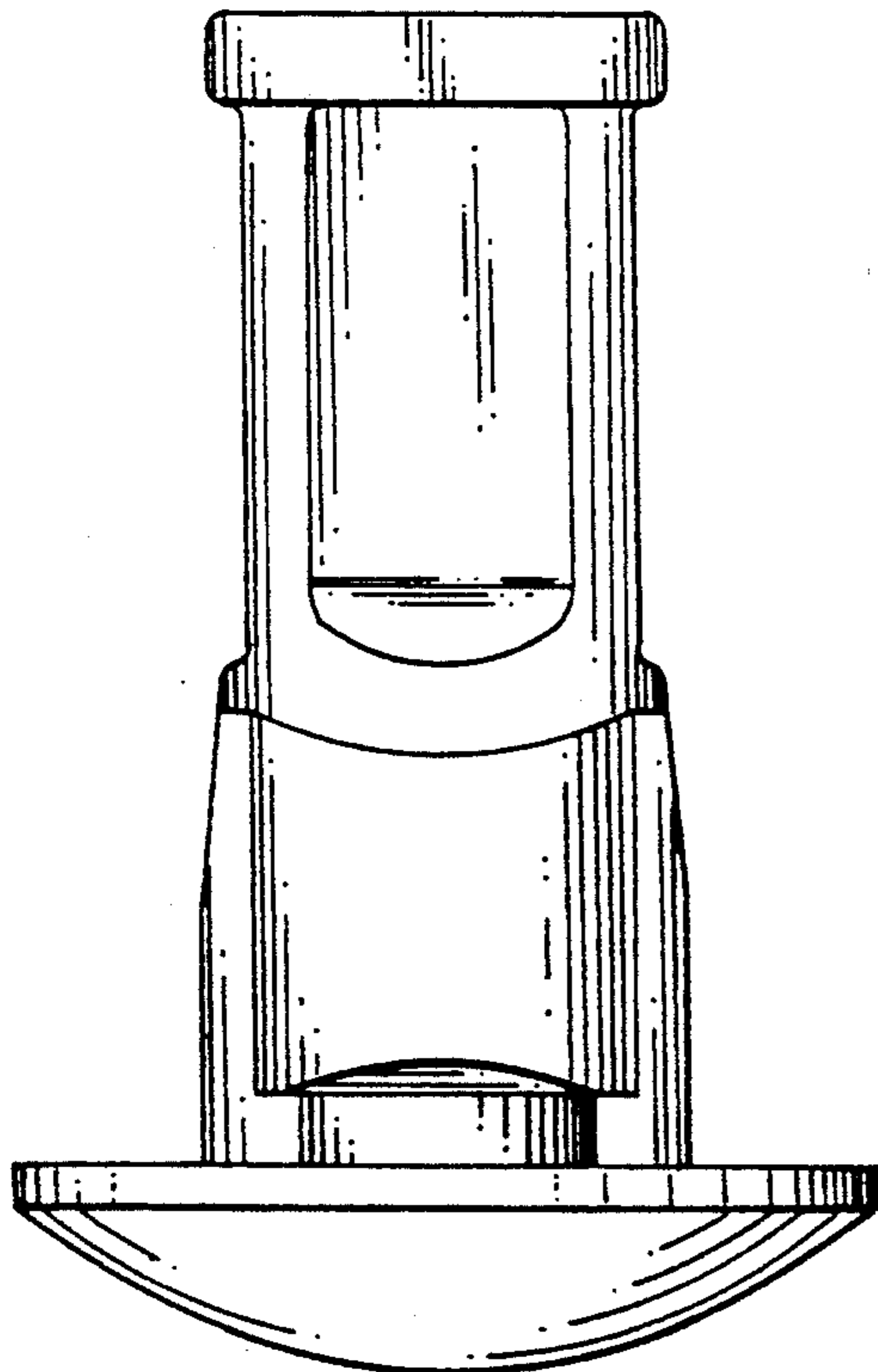
Attorney, Agent, or Firm—Davis, Bujold & Streck

[57] **CLAIM**

The ornamental design for a printed board holder, as shown and described.

DESCRIPTION

FIG. 1 is a bottom plan view of a printed board holder showing my new design;
 FIG. 2 is a top plan view thereof;
 FIG. 3 is a right side elevational view thereof with the opposite side being a mirror image thereof;
 FIG. 4 is a front elevational view thereof with the opposite side being a mirror image thereof; and,
 FIG. 5 is a front, top, right perspective view thereof.



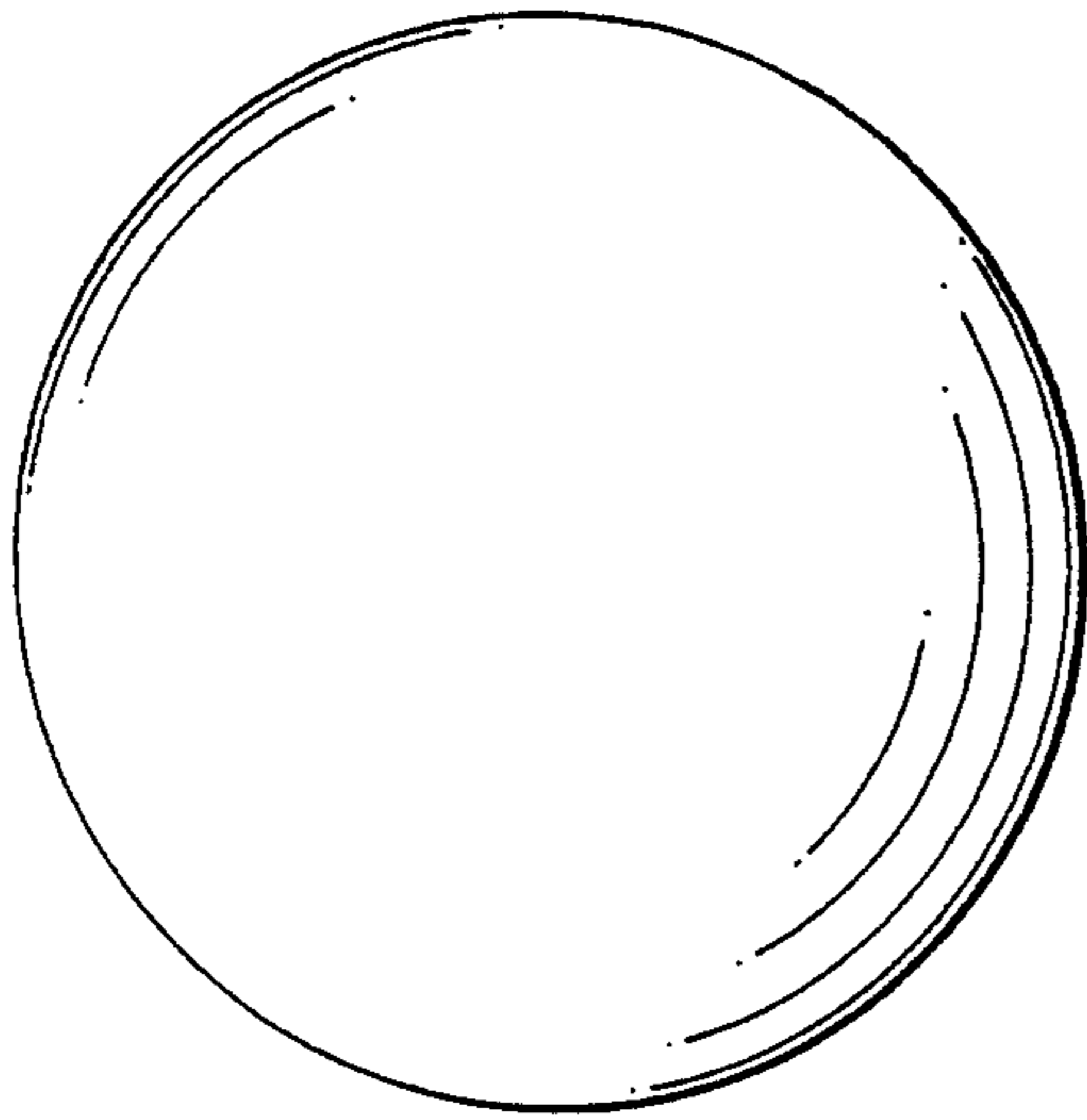


FIG. 1

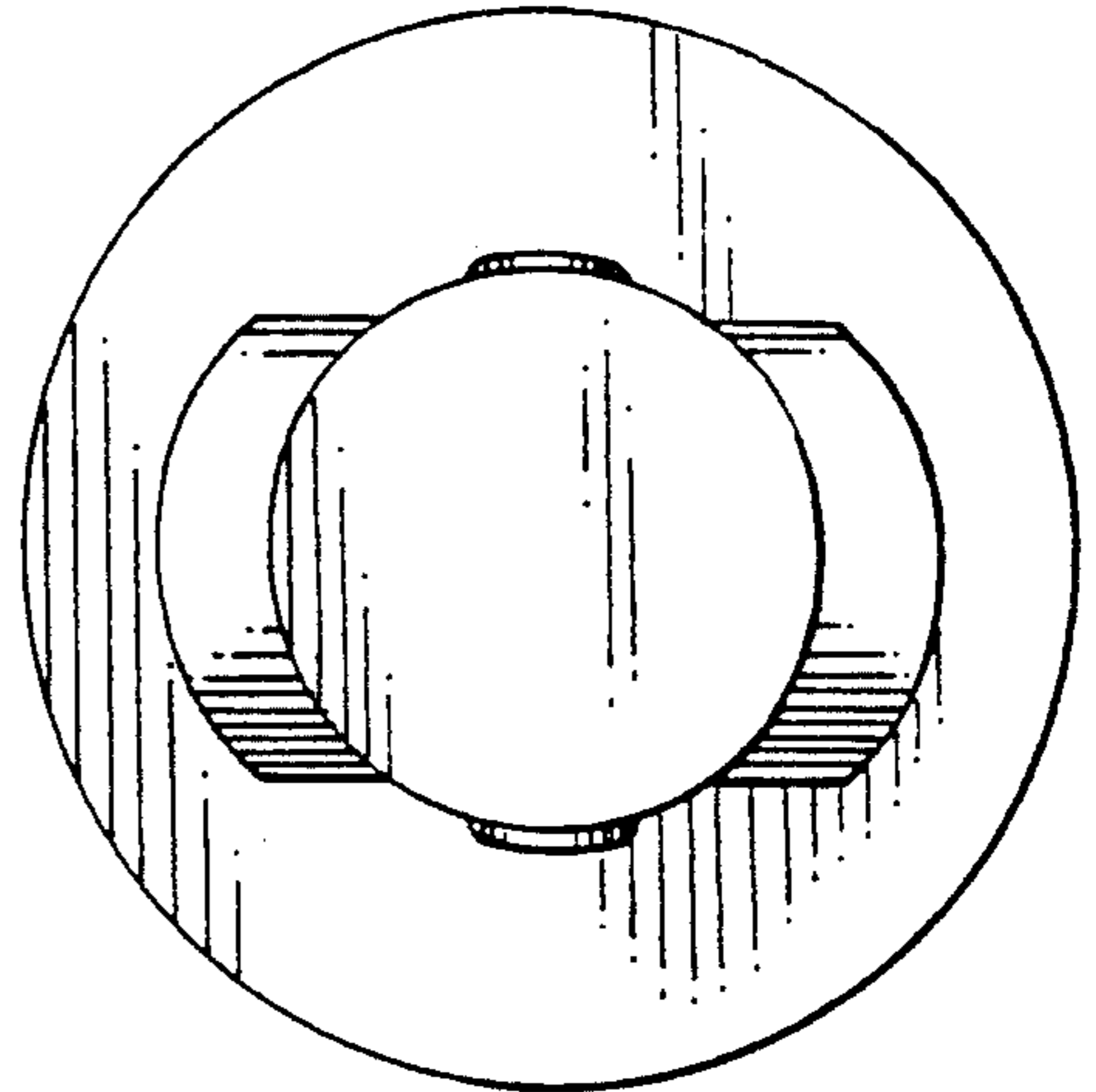


FIG. 2

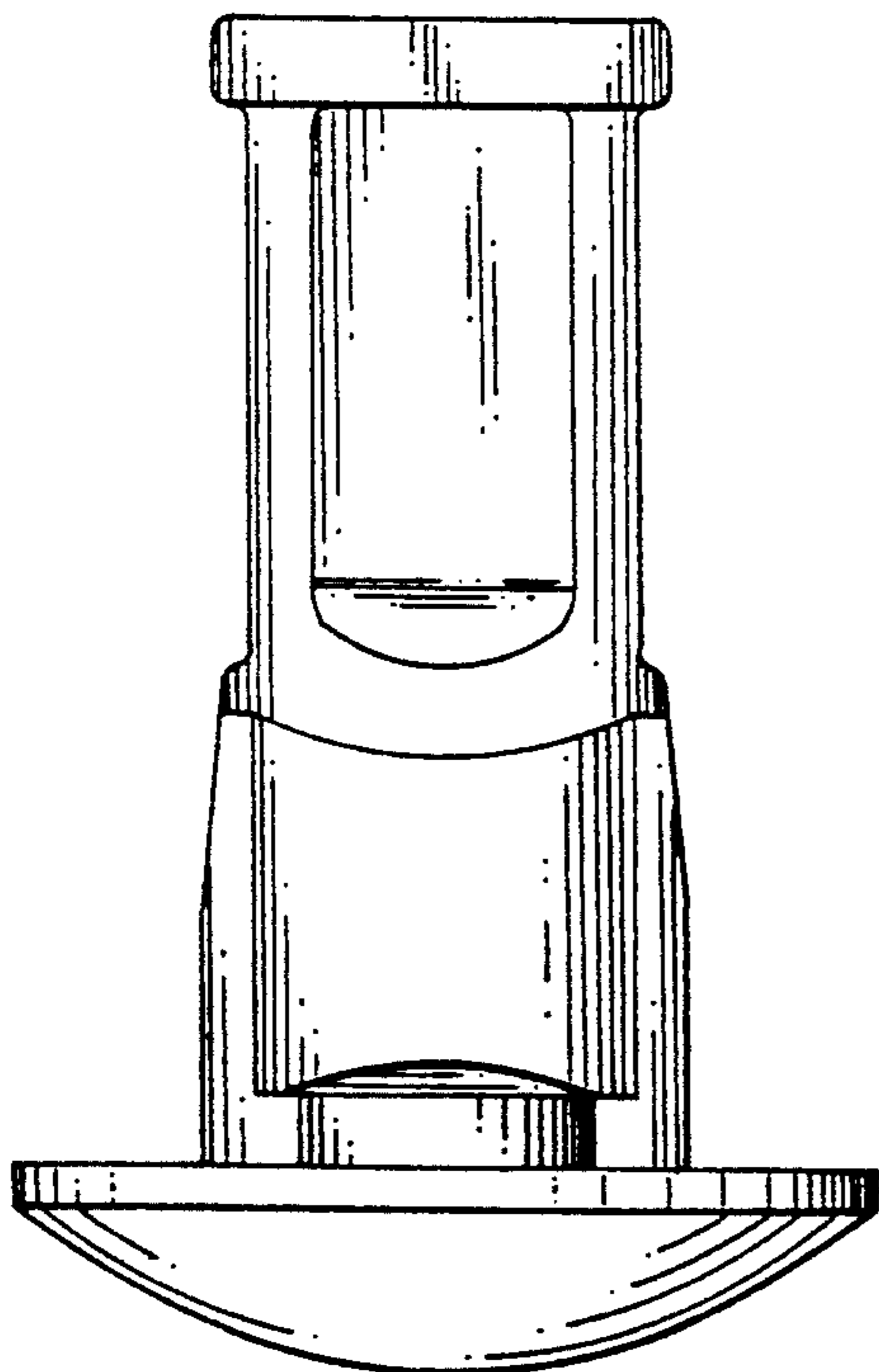


FIG. 3

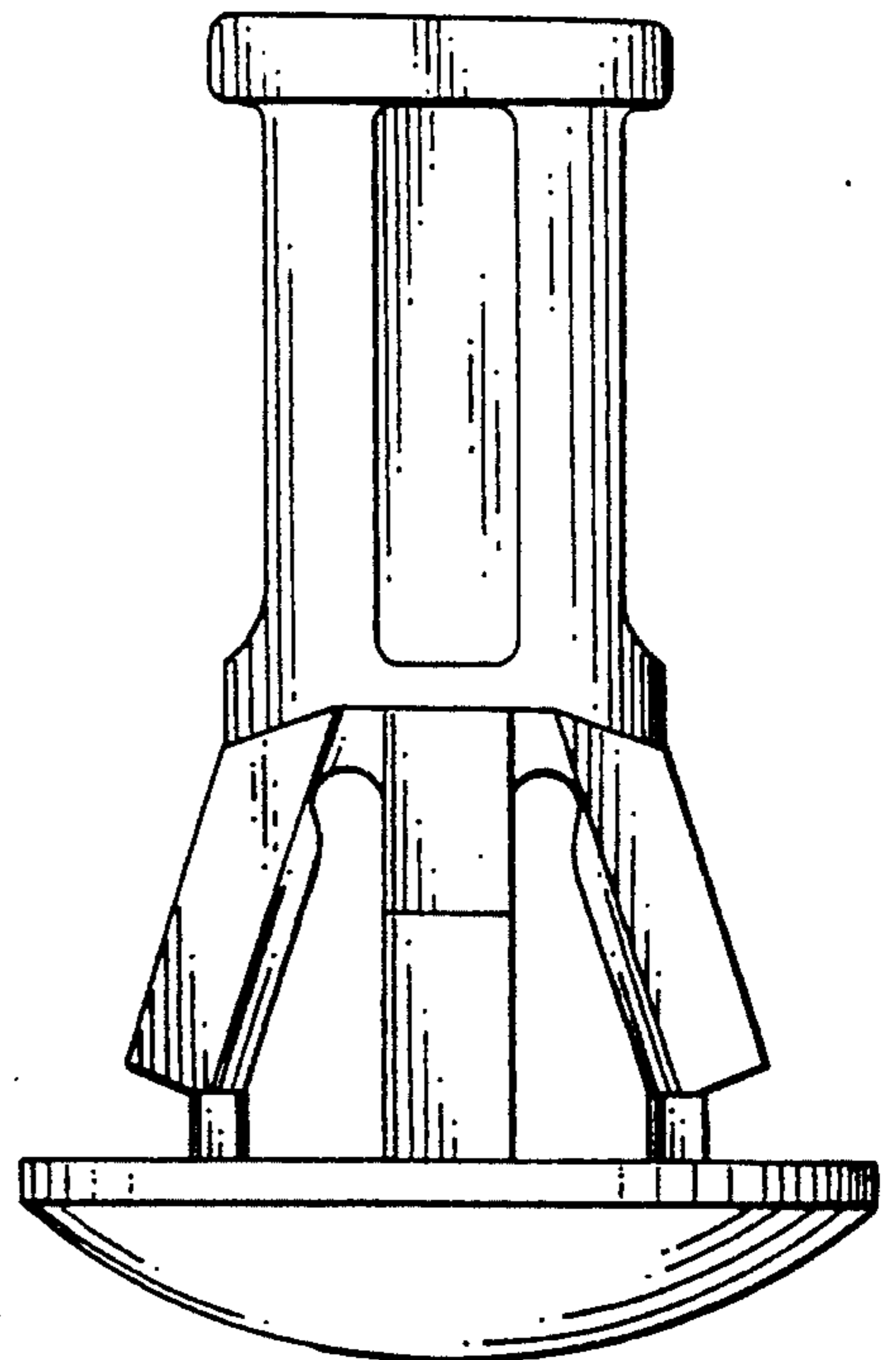


FIG. 4

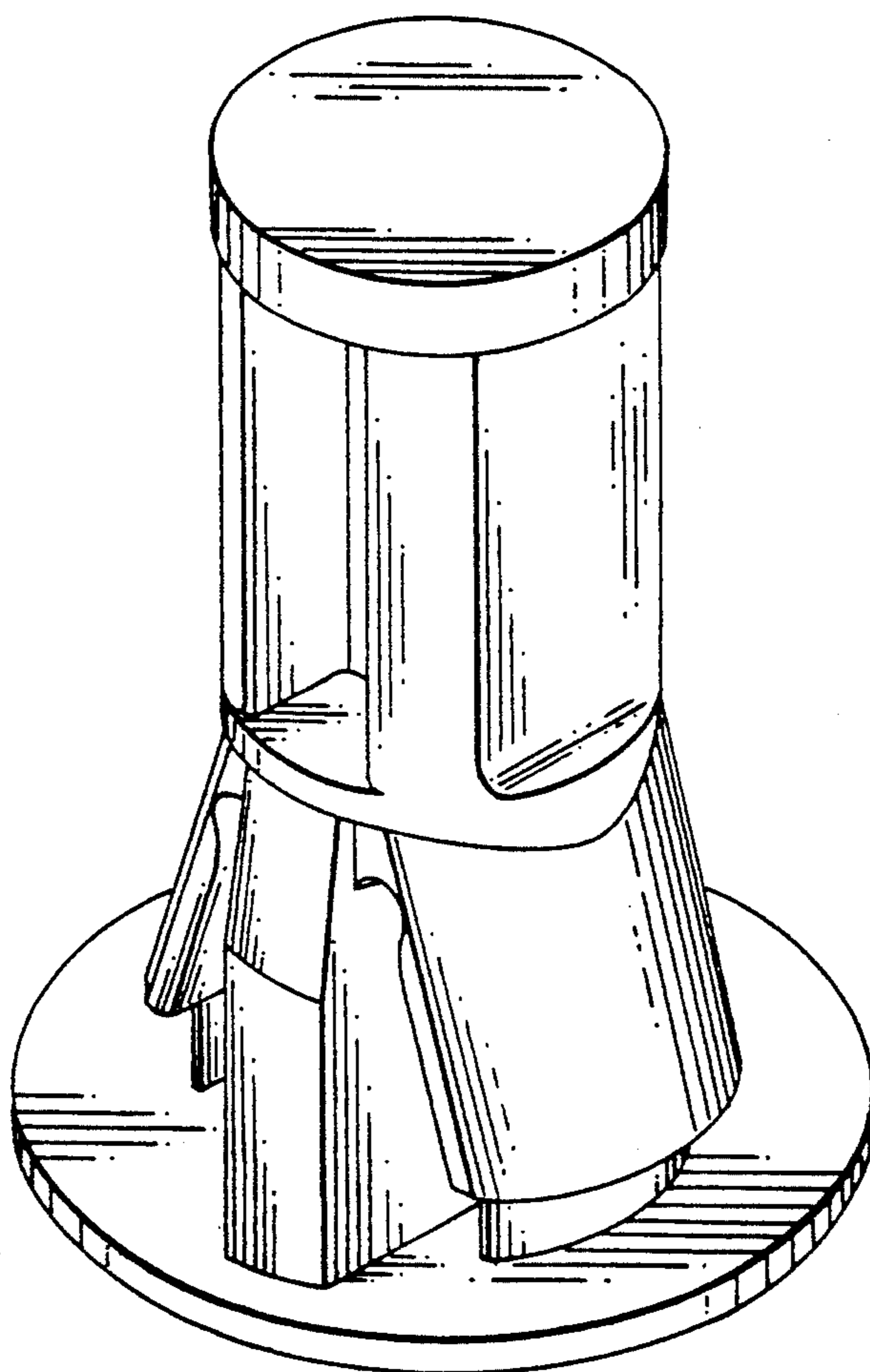


FIG.5