



US00D336417S

# United States Patent [19]

Yuen et al.

[11] Patent Number: Des. 336,417

[45] Date of Patent: \*\* Jun. 15, 1993

[54] **CONTROLLER BRACKET**

[75] Inventors: **Henry C. Yuen, Pasadena; Daniel S. Kwoh, Rolling Hills Estates, both of Calif.**

[73] Assignee: **Gemstar Development Corporation, Pasadena, Calif.**

[\*\*] Term: **14 Years**

[21] Appl. No.: **612,280**

[22] Filed: **Nov. 13, 1990**

[52] U.S. Cl. .... **D8/320**

[58] Field of Search ..... **D14/251, 218, 217, 138; 374/447, 102, 426; 248/346, 176**

[56] **References Cited**

**U.S. PATENT DOCUMENTS**

- D. 43,725 3/1913 Schramm et al. .... D13/173
- D. 232,020 7/1974 Borsuk ..... D34/32
- D. 237,162 10/1975 Miller ..... D34/32
- D. 239,610 4/1976 Miller ..... D34/32
- D. 266,827 11/1982 Withrow ..... D8/380
- D. 277,664 2/1985 Wilt ..... D14/251
- D. 306,028 2/1990 Harkins ..... D14/281
- D. 310,367 9/1990 Duckery ..... D14/217 X
- D. 319,430 8/1991 Cheng ..... D14/218 X
- D. 320,022 9/1991 Watanabe et al. .... D14/251
- D. 320,991 10/1991 Nagai et al. .... D14/251
- D. 321,683 11/1991 Manach ..... D13/173
- D. 323,164 1/1992 Myoga ..... D14/138
- D. 325,568 4/1992 Murata ..... D13/173
- 3,906,369 9/1975 Pitman ..... D14/218
- 4,144,979 3/1979 Leach, Jr. .... D34/32 X
- 4,165,810 8/1979 Young ..... D34/32 X

- 4,488,009 12/1984 Sherman ..... 179/100 D
- 4,543,451 9/1985 Schoen ..... 179/2 E A
- 4,615,502 10/1986 McLaughlin ..... 248/175
- 4,671,476 6/1987 Yim ..... 248/176 X
- 4,706,274 11/1987 Baker et al. .... 379/61
- 4,868,862 9/1989 Ryoichi et al. .... D14/251 X
- 4,901,972 2/1990 Judd et al. .... 248/176 X
- 4,990,049 2/1991 Hargrove ..... D34/32 X
- 4,993,685 2/1991 Sparling ..... D34/32 X
- 5,083,734 1/1992 Ancona et al. .... 248/176

**FOREIGN PATENT DOCUMENTS**

- 0036648 2/1990 Japan ..... 379/433

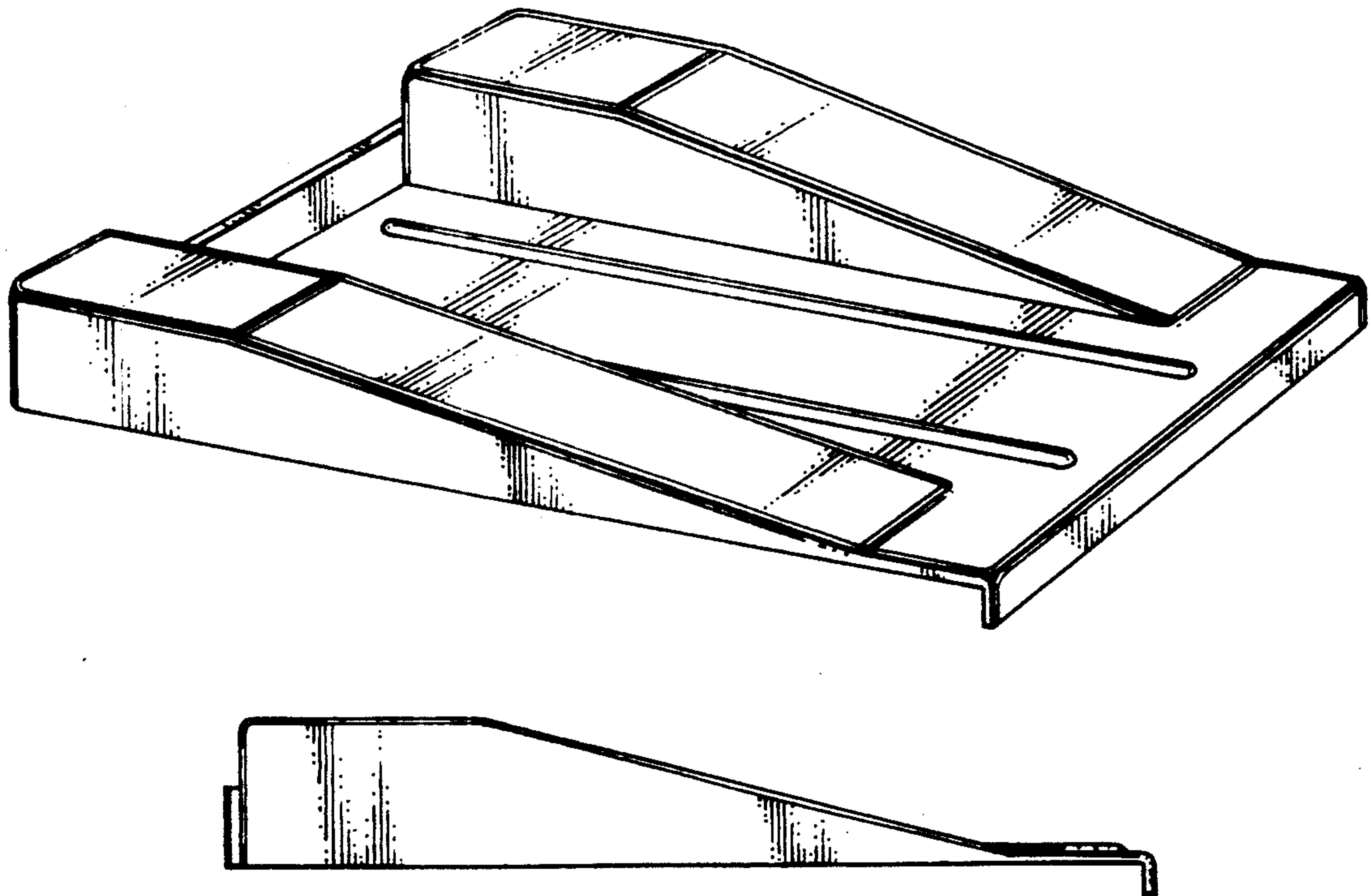
*Primary Examiner*—Horace B. Fay, Jr.  
*Attorney, Agent, or Firm*—Christie, Parker & Hale

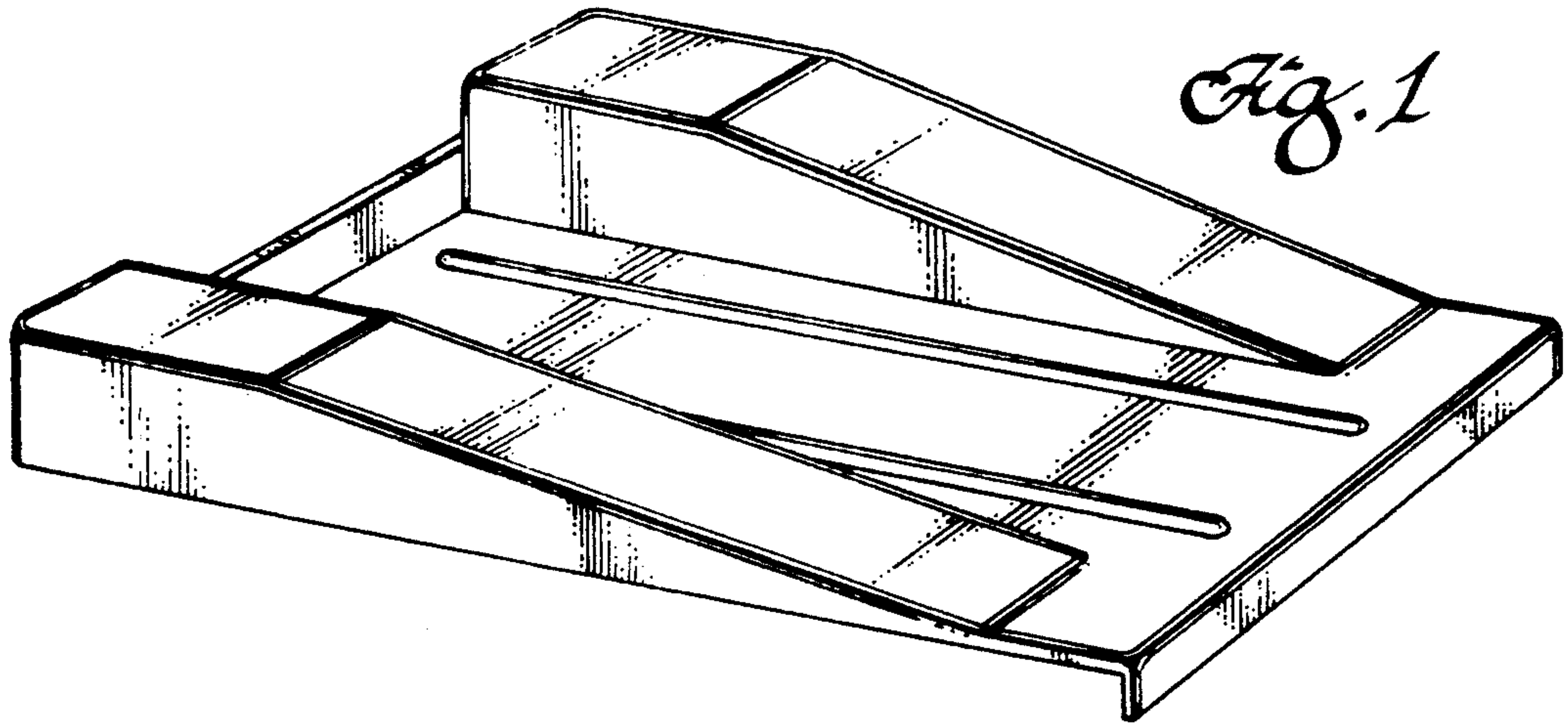
[57] **CLAIM**

The ornamental design for a controller bracket, as shown.

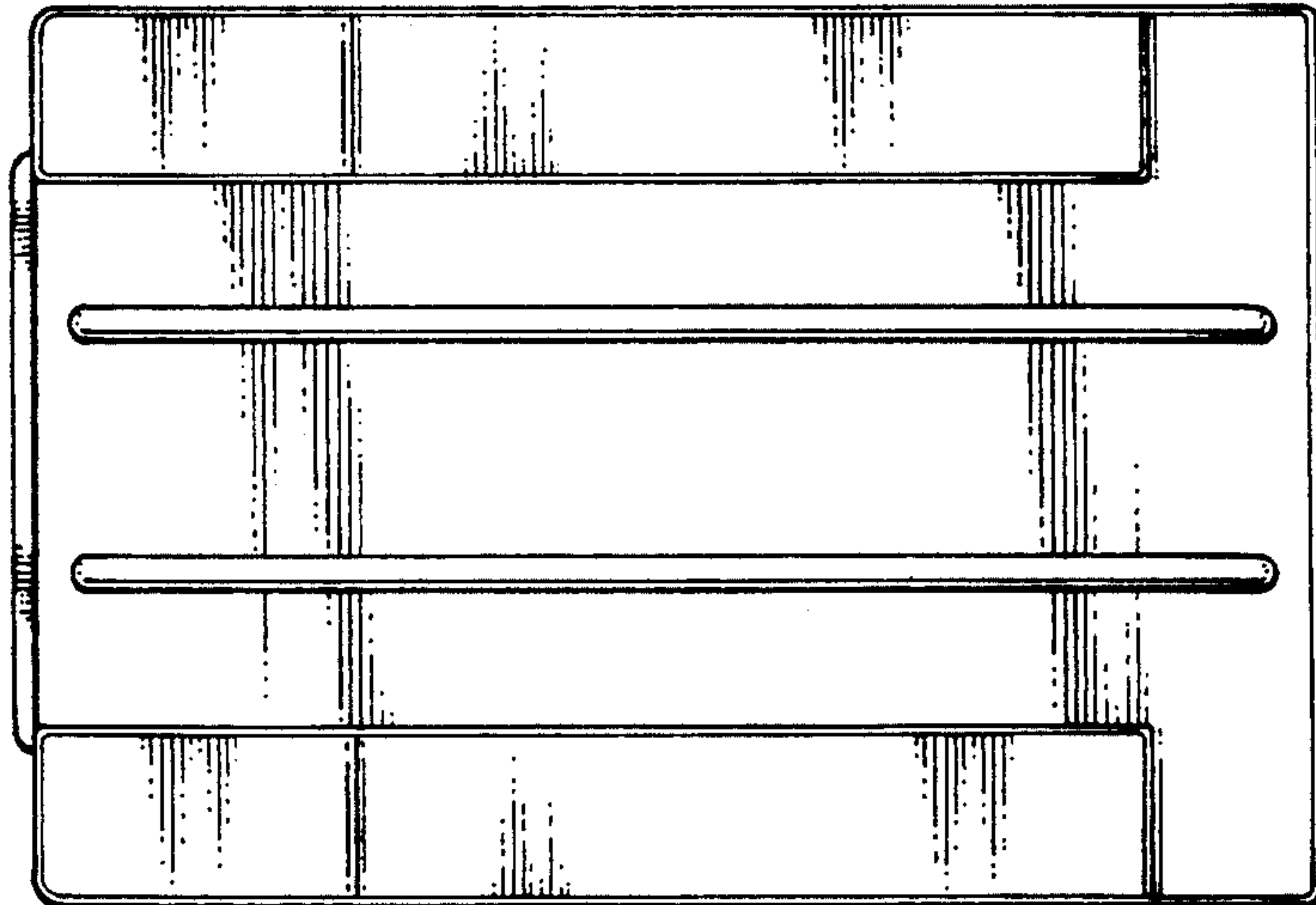
**DESCRIPTION**

FIG. 1 is a perspective view of a controller bracket showing our new design;  
 FIG. 2 is a top view of the controller bracket shown in FIG. 1;  
 FIG. 3 is a bottom view of the controller bracket shown in FIG. 1;  
 FIG. 4 is a side elevational view of the controller bracket shown in FIG. 1. The opposite side elevation is a mirror image of FIG. 4;  
 FIG. 5 is a front elevational view of the controller bracket shown in FIG. 1; and,  
 FIG. 6 is a rear elevational view of the controller bracket shown in FIG. 1.

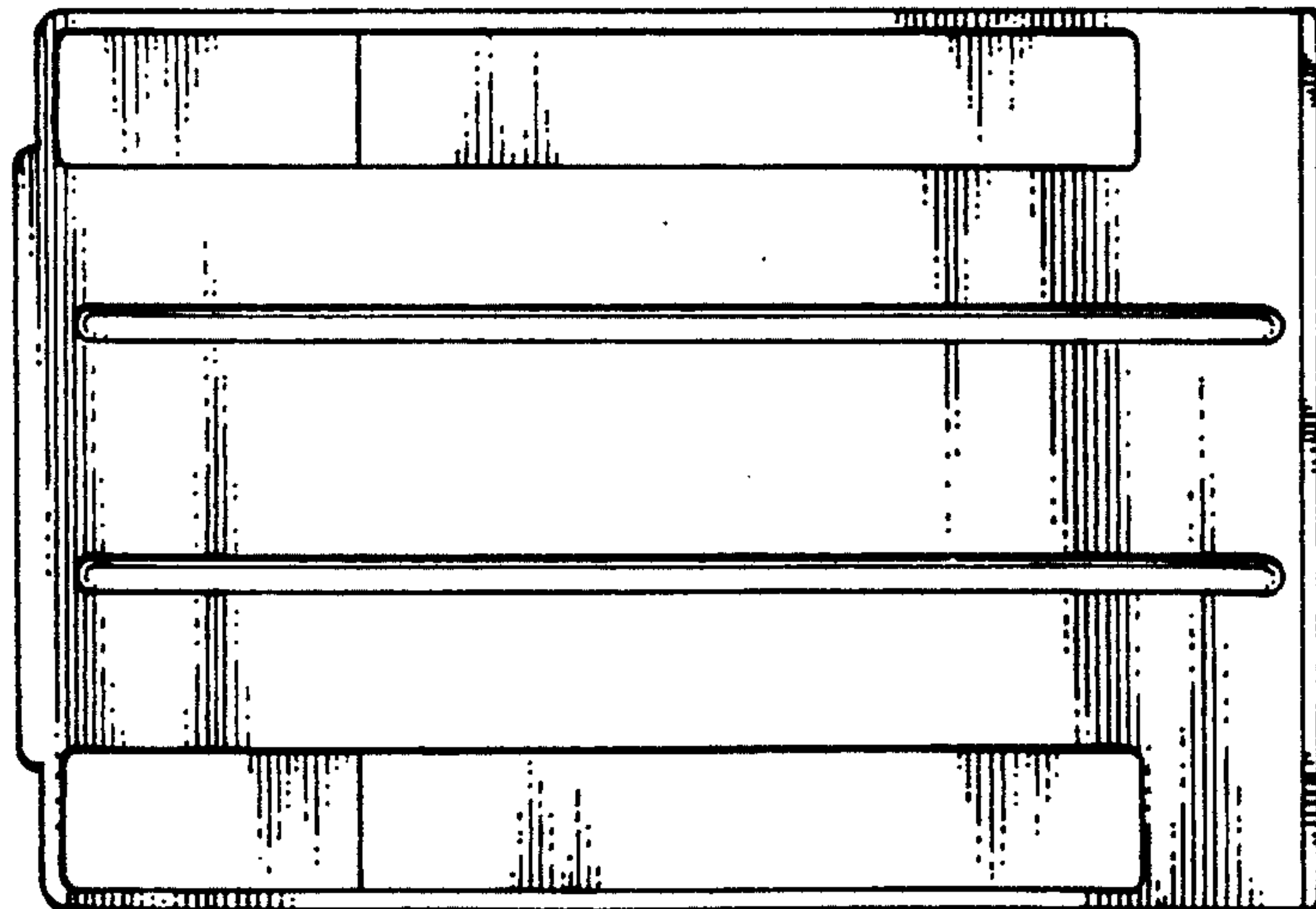




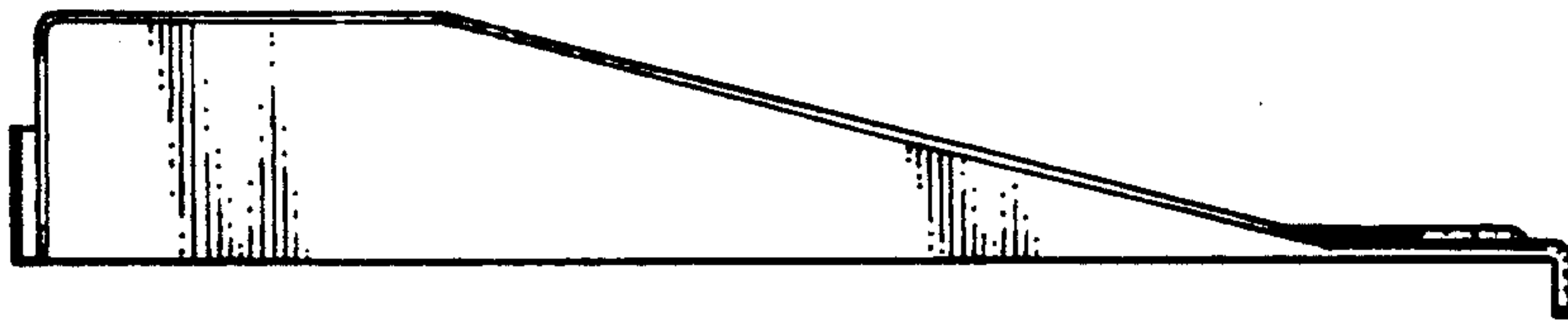
*Fig. 2*



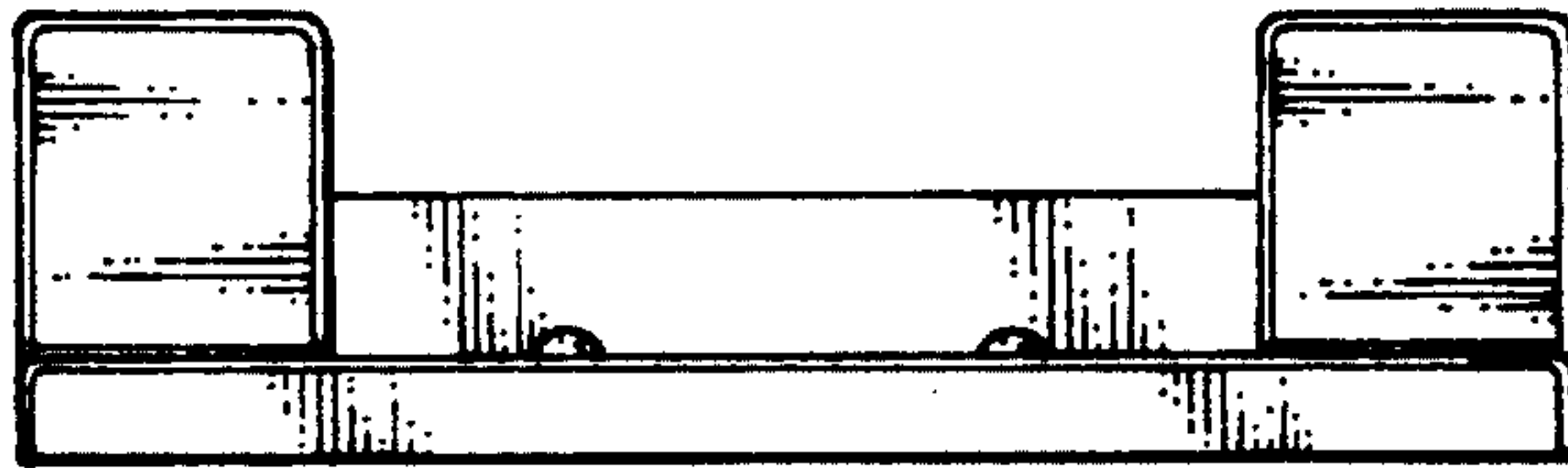
*Fig. 3*



*Fig. 4*



*Fig. 5*



*Fig. 6*

