



US00D336415S

United States Patent [19] Cheng

[11] Patent Number: **Des. 336,415**
[45] Date of Patent: **** Jun. 15, 1993**

[54] **COMBINATION TOOL**
[76] Inventor: **Tsung-Kai Cheng**, 5F, No. 23, Alley 6, Lane 135, Chung Shan 1 Rd., Lu Chou Hsiang, Taipei Hsien, Taiwan
[**] Term: **14 Years**
[21] Appl. No.: **596,589**
[22] Filed: **Oct. 12, 1990**
[52] U.S. Cl. **D8/105**
[58] Field of Search **D8/14, 105; 7/118, 119, 7/163, 164, 160**

4,794,692 1/1989 Wang 30/162
4,854,045 8/1989 Schaub 7/118
4,918,775 4/1990 Leu 7/164

Primary Examiner—Bernard Ansher
Assistant Examiner—Philip Hyder
Attorney, Agent, or Firm—Varndell Legal Group

[57] CLAIM

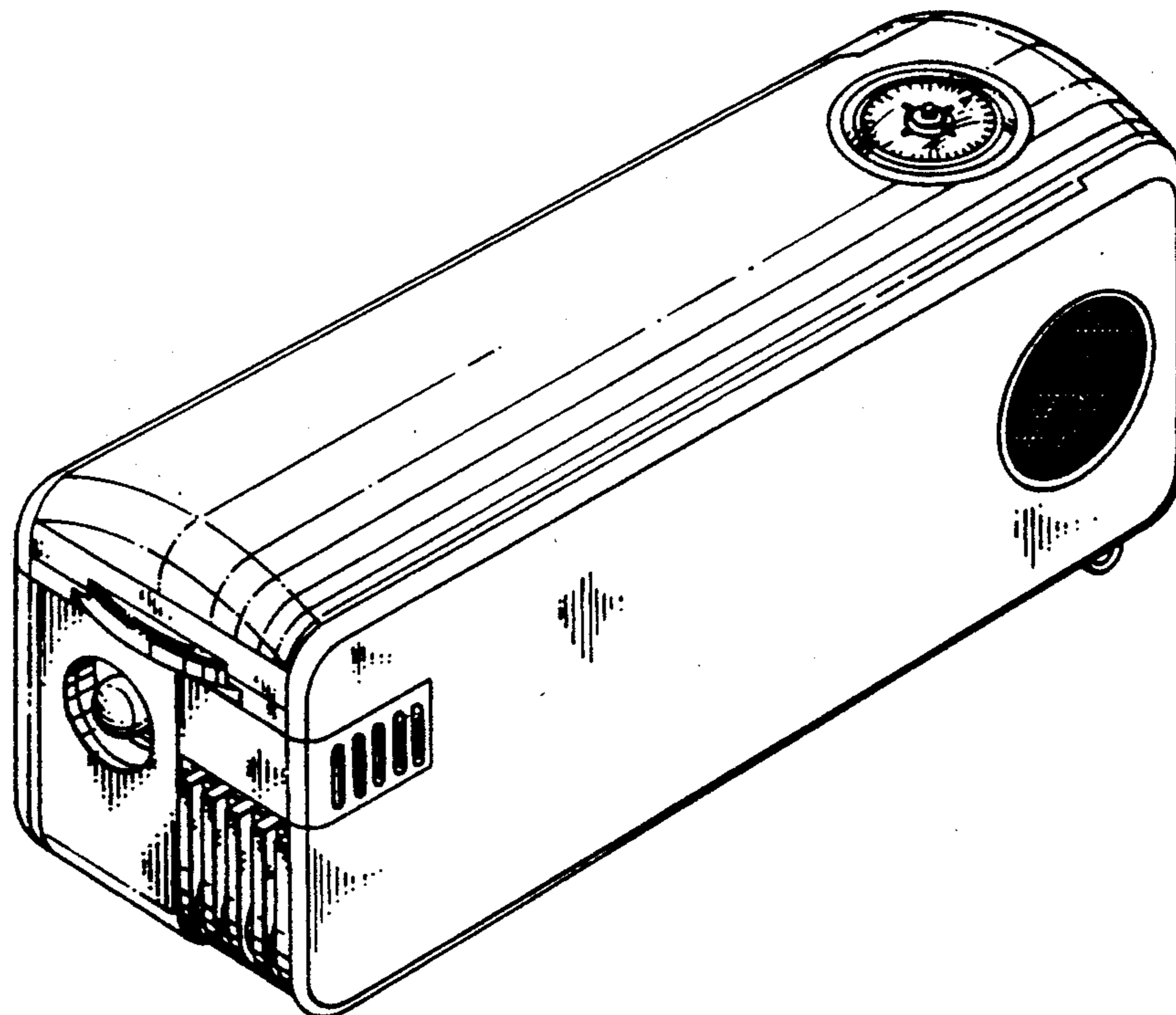
The ornamental design for a combination tool, as shown and described.

DESCRIPTION

FIG. 1 is a perspective view of a combination tool, showing my new design;
FIG. 2 is a right side elevational view thereof;
FIG. 3 is a top plan view thereof;
FIG. 4 is a rear elevation view thereof;
FIG. 5 is a front elevational view thereof;
FIG. 6 is a left side elevational view thereof;
FIG. 7 is a bottom plan view thereof; and,
FIG. 8 is a cross-section view taken along line 8—8 of FIG. 3.

[56] References Cited U.S. PATENT DOCUMENTS

D. 285,900	9/1986	Chan	D8/105
D. 286,501	11/1986	Magan	D8/105
D. 302,102	7/1989	Amagaya	D8/105
D. 308,462	6/1990	Komatsu	D8/105
D. 311,124	10/1990	Learney	D8/99
4,791,725	12/1988	Amagaya	30/162



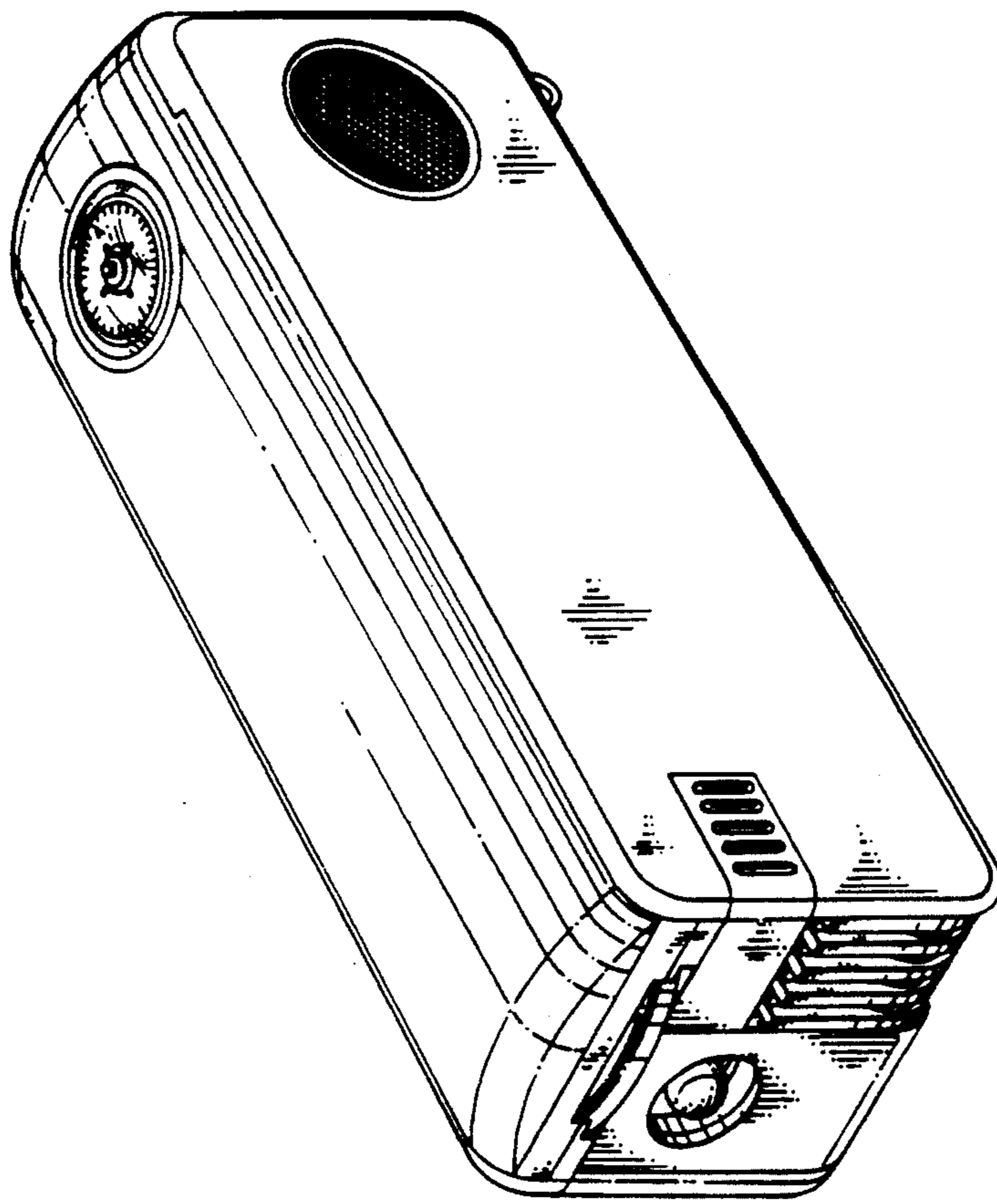


Fig. 1

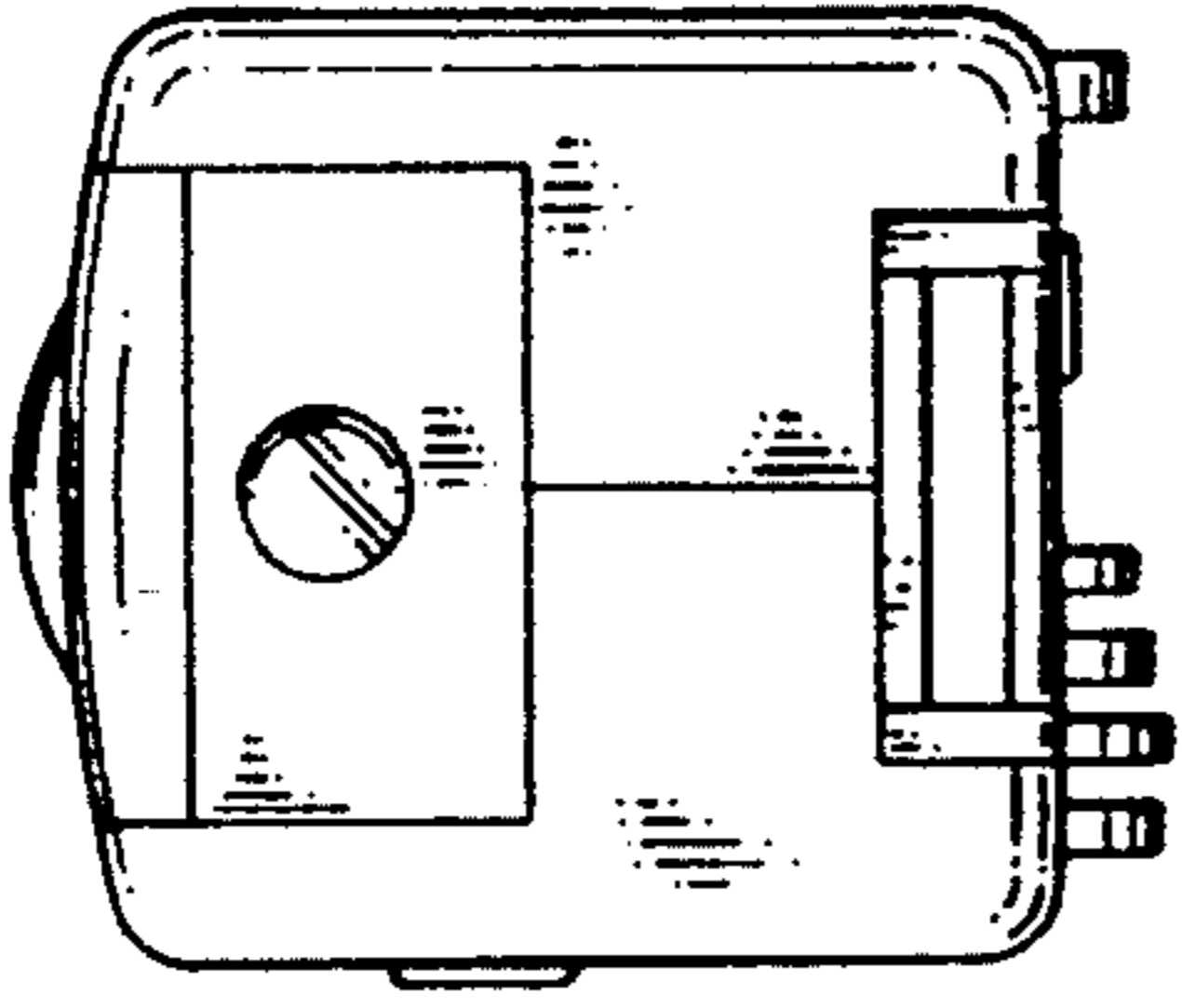


Fig. 4

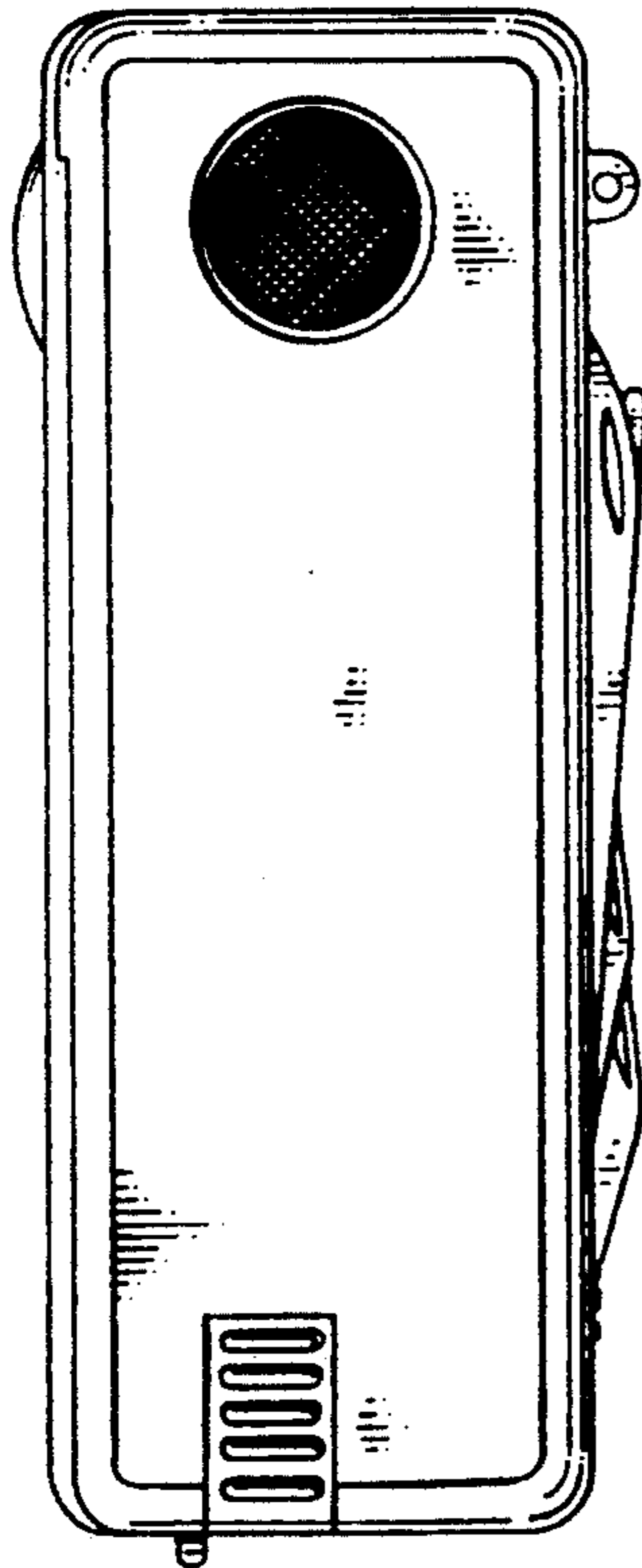


Fig. 2

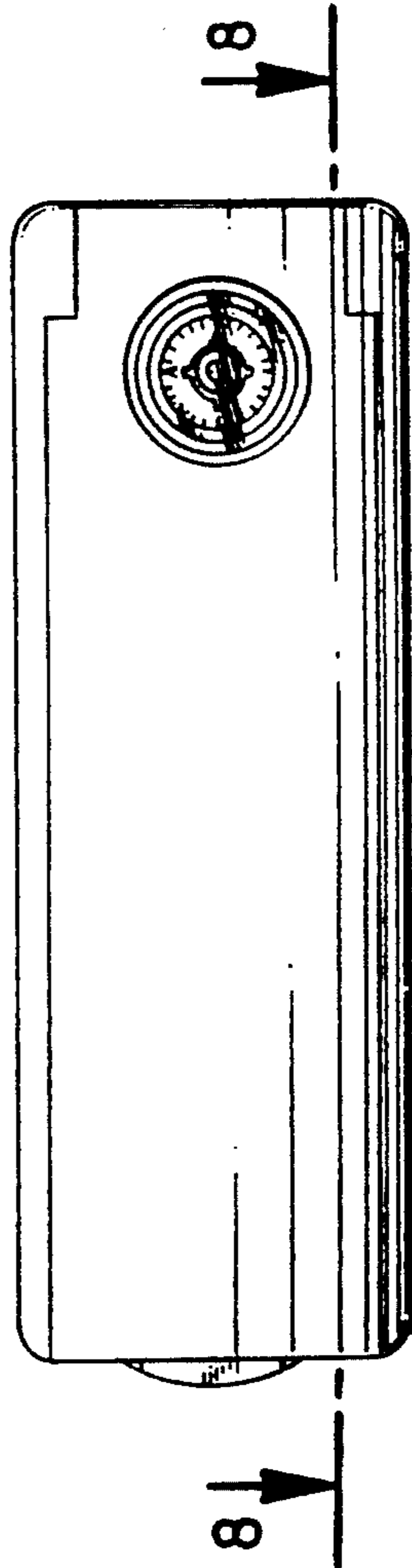


Fig. 3

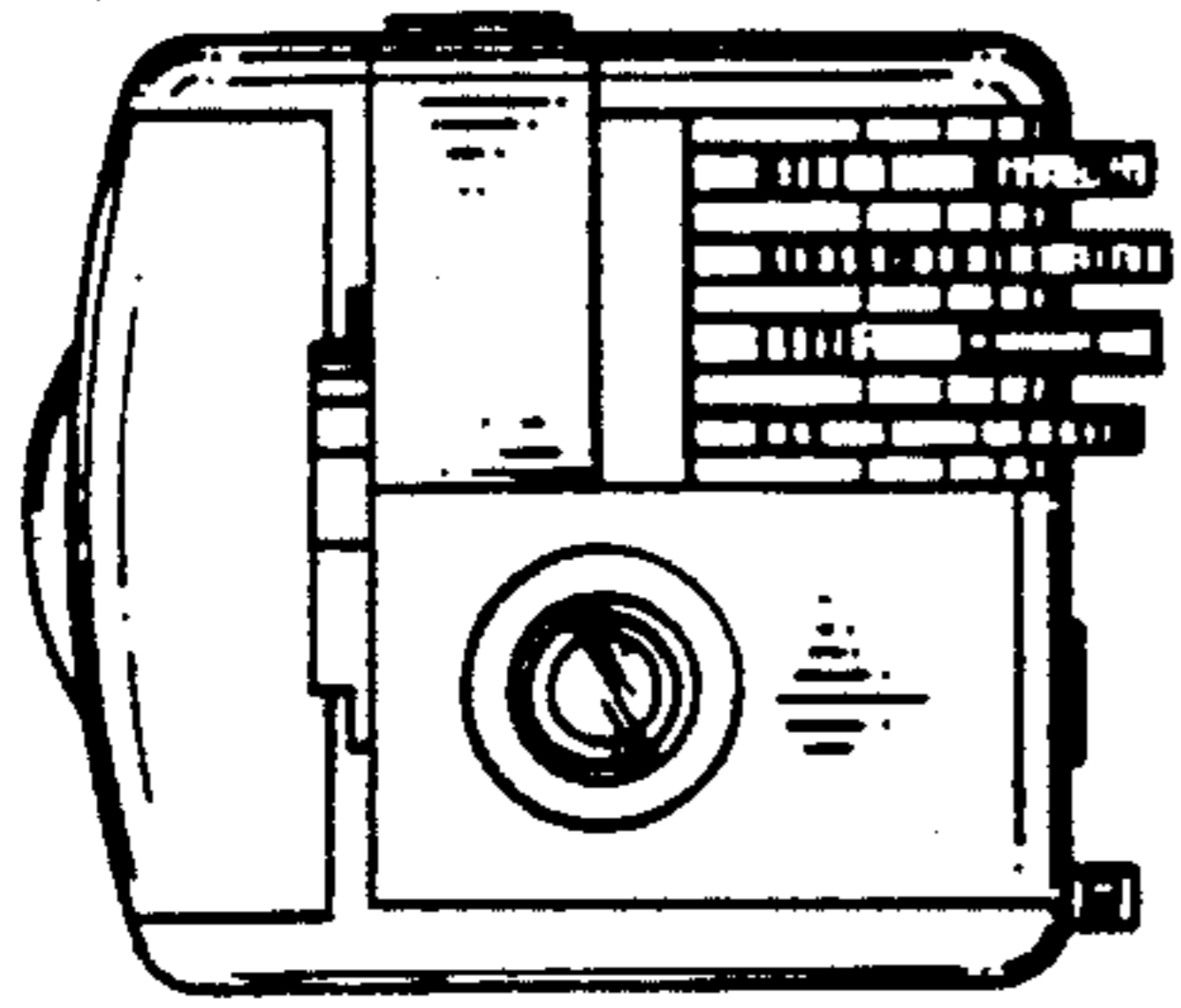


Fig. 5

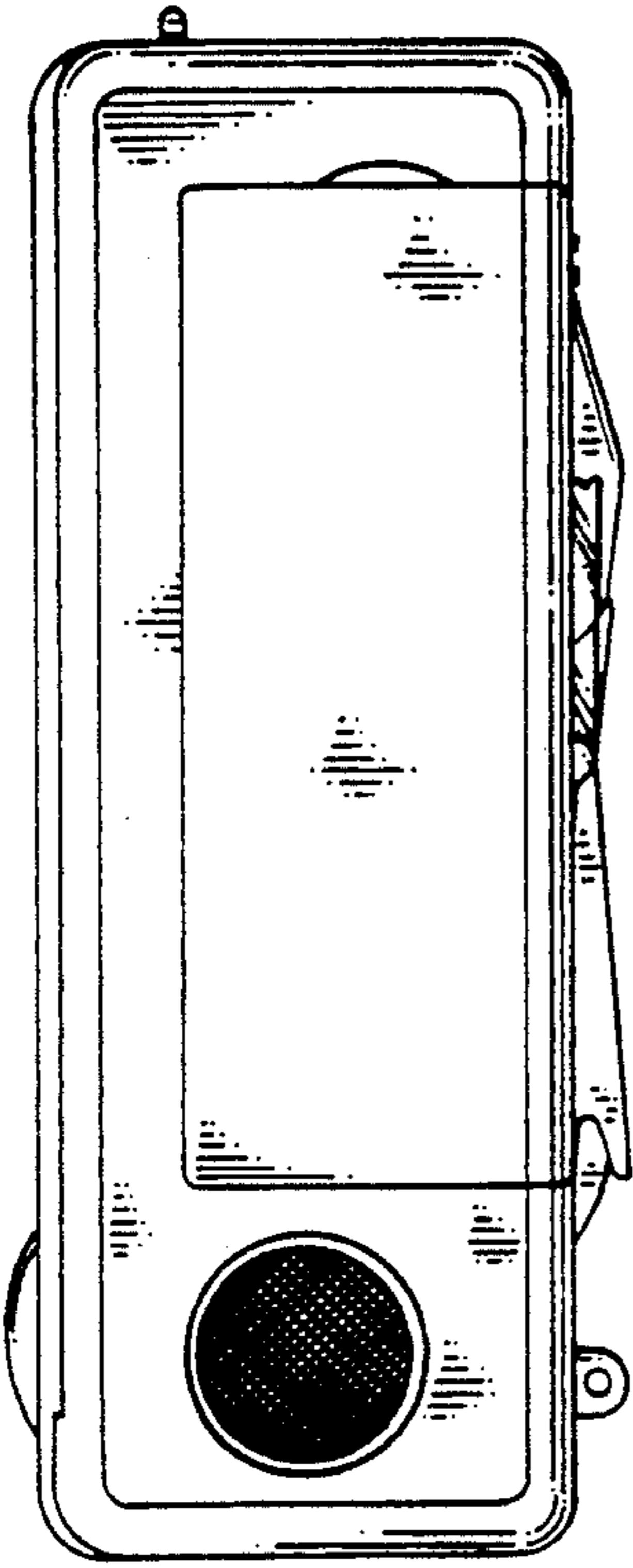


Fig. 6

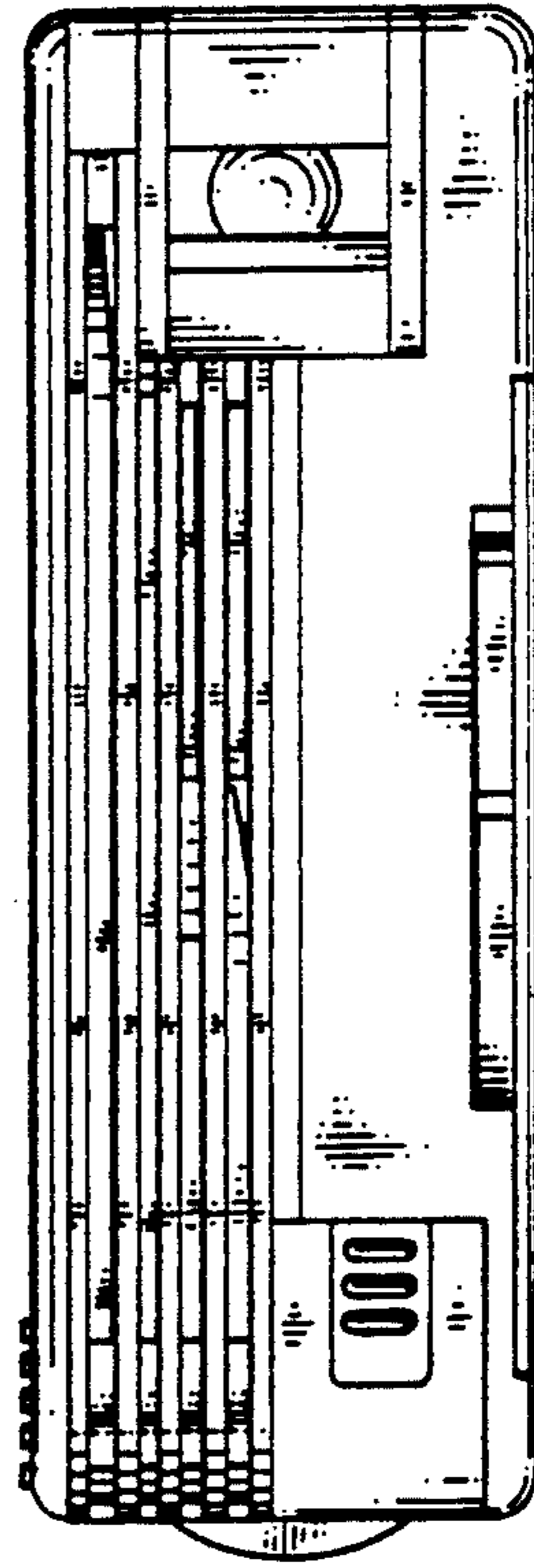


Fig. 7

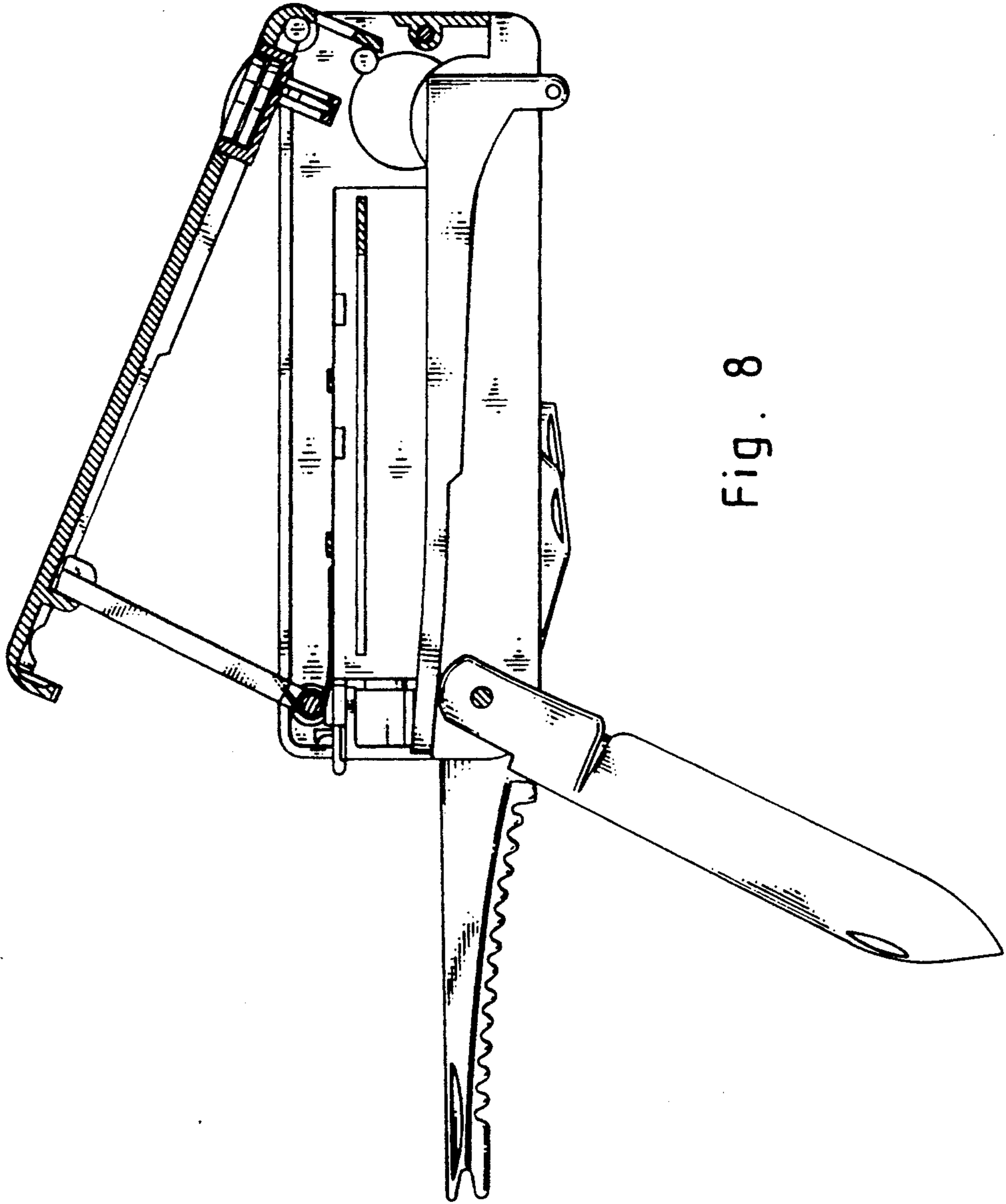


Fig. 8