



US00D336414S

# United States Patent [19]

[11] Patent Number: **Des. 336,414**

**Bouchelle**

[45] Date of Patent: **\*\* Jun. 15, 1993**

[54] SIGN HOLDER

4,009,743 3/1977 Ackerman ..... 145/1 A  
4,946,123 8/1990 Albert ..... 248/237

[76] Inventor: **Donald R. Bouchelle**, P.O. Box 66,  
Nottingham, Pa. 19362

*Primary Examiner*—Bernard Ansher  
*Assistant Examiner*—Philip Hyder  
*Attorney, Agent, or Firm*—Terry M. Gernstein

[\*\*] Term: **14 Years**

[21] Appl. No.: **584,889**

[57] **CLAIM**

[22] Filed: **Sep. 19, 1990**

The ornamental design for a sign holder, as shown and described.

[52] U.S. Cl. .... **D8/71**

[58] Field of Search ..... D8/14, 71; 52/749, DIG. 1;  
248/237; 108/55.3

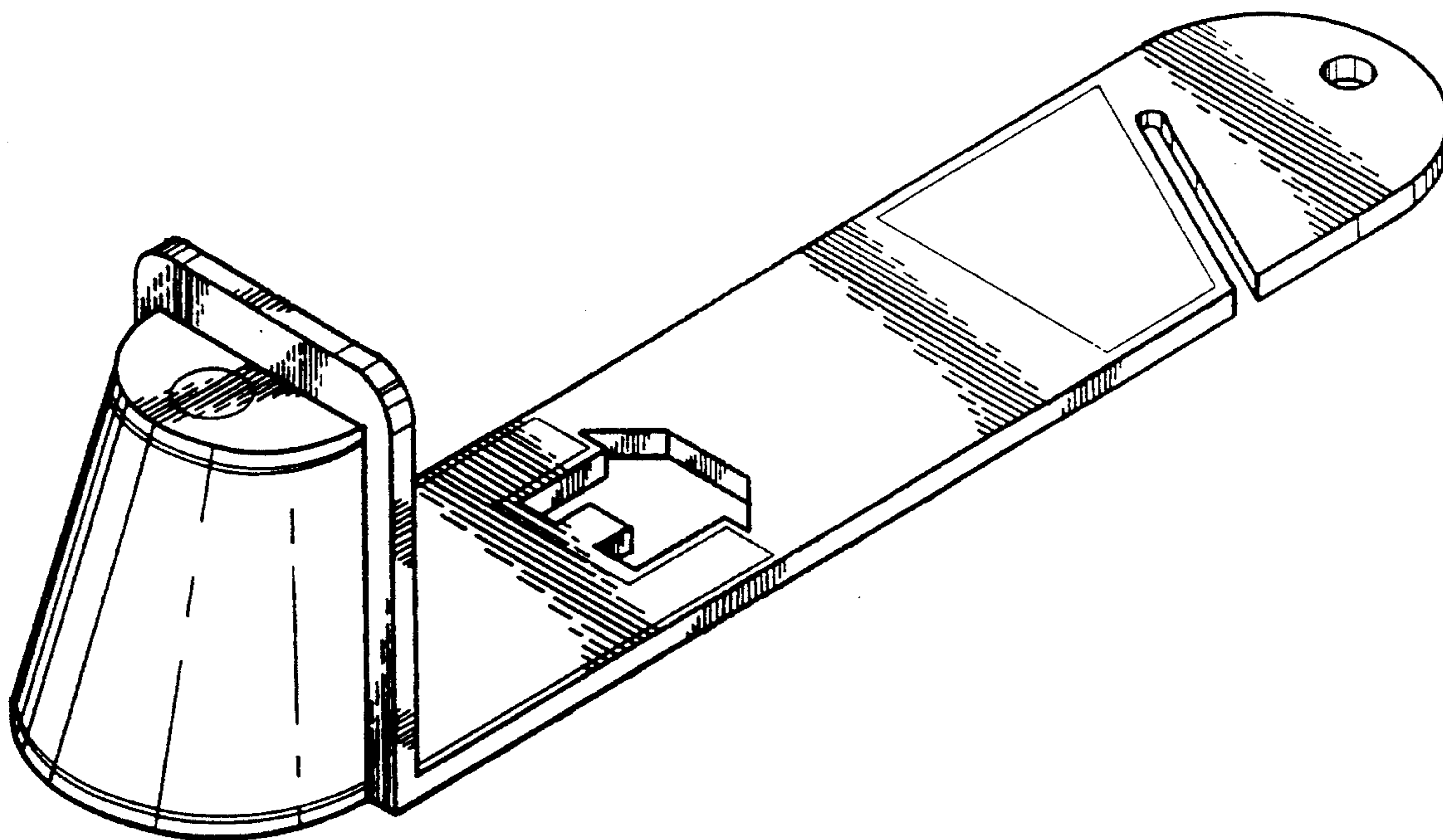
**DESCRIPTION**

[56] **References Cited**

**U.S. PATENT DOCUMENTS**

730,781 6/1903 Mitchell ..... 145/1 A  
1,661,192 3/1928 Nelson ..... 248/237  
1,886,921 11/1932 Tobin ..... 248/237  
2,845,206 7/1958 Currie ..... 248/237

FIG. 1 is a perspective view of the shingle holding device embodying the design of the present invention; FIG. 2 is a front elevational view thereof; FIG. 3 is a rear elevational view thereof; FIG. 4 is a left side elevational view thereof; FIG. 5 is a right side elevational view thereof; FIG. 6 is a top plan view thereof; and, FIG. 7 is a bottom view thereof.



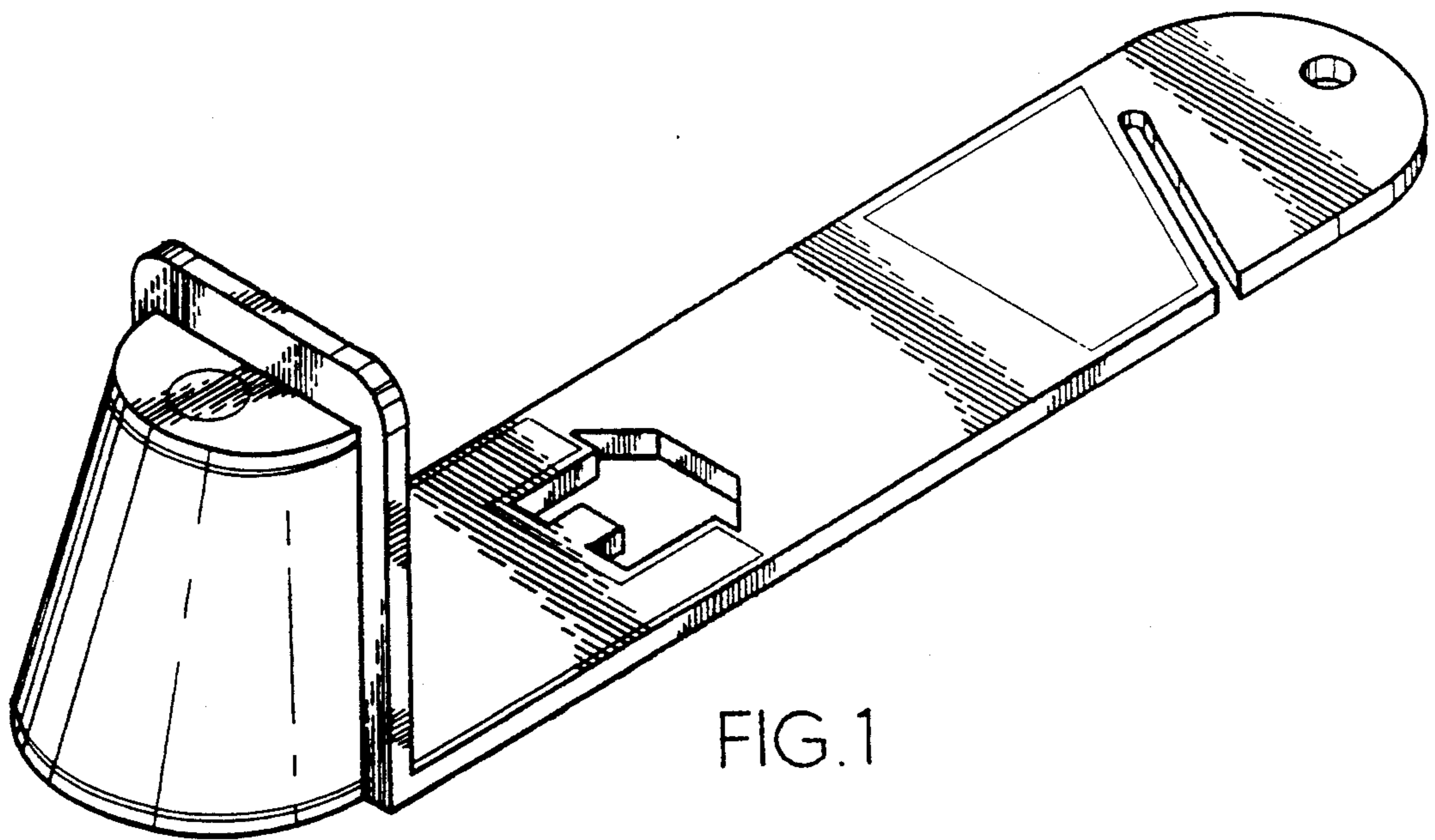


FIG. 1

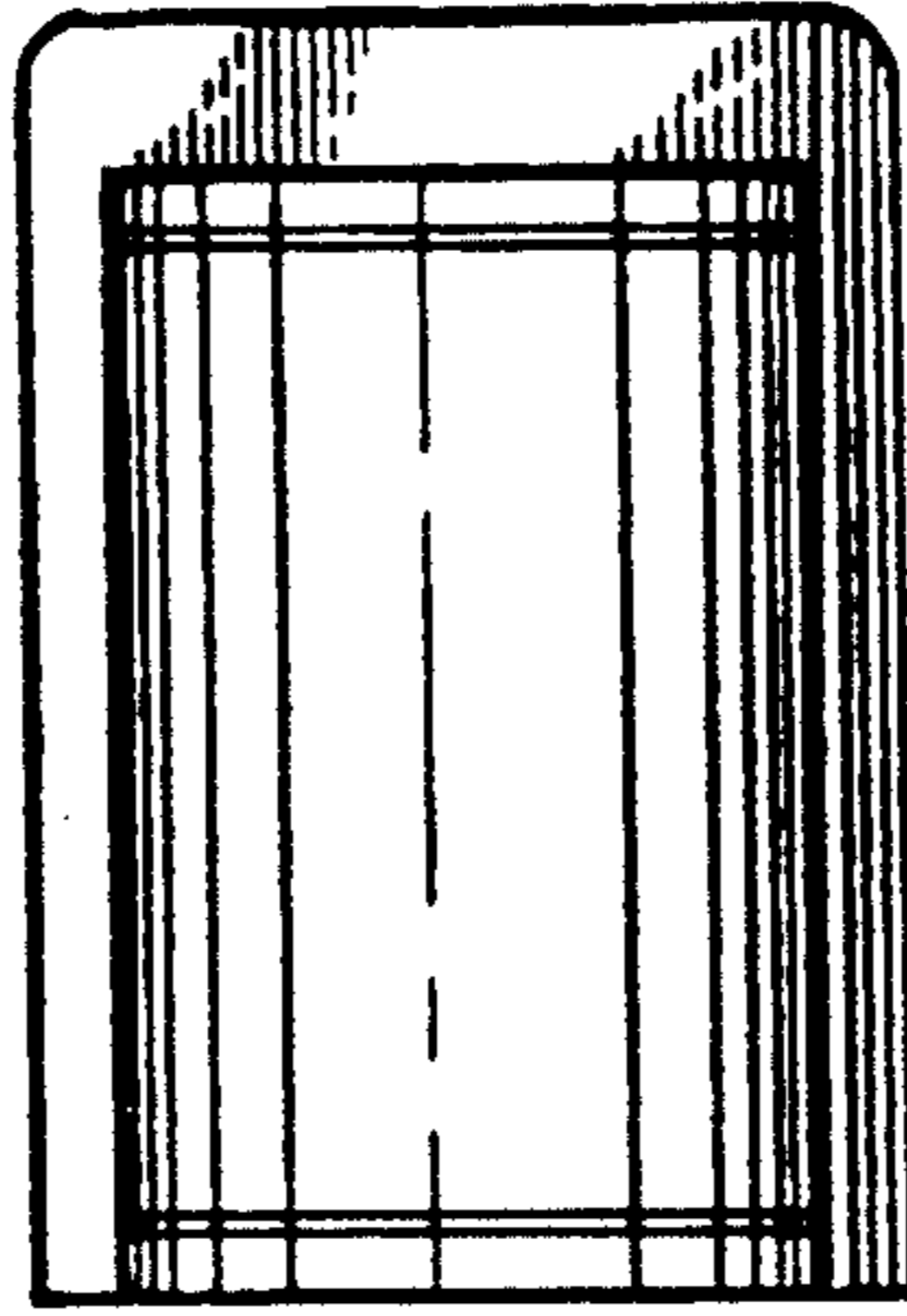


FIG. 2

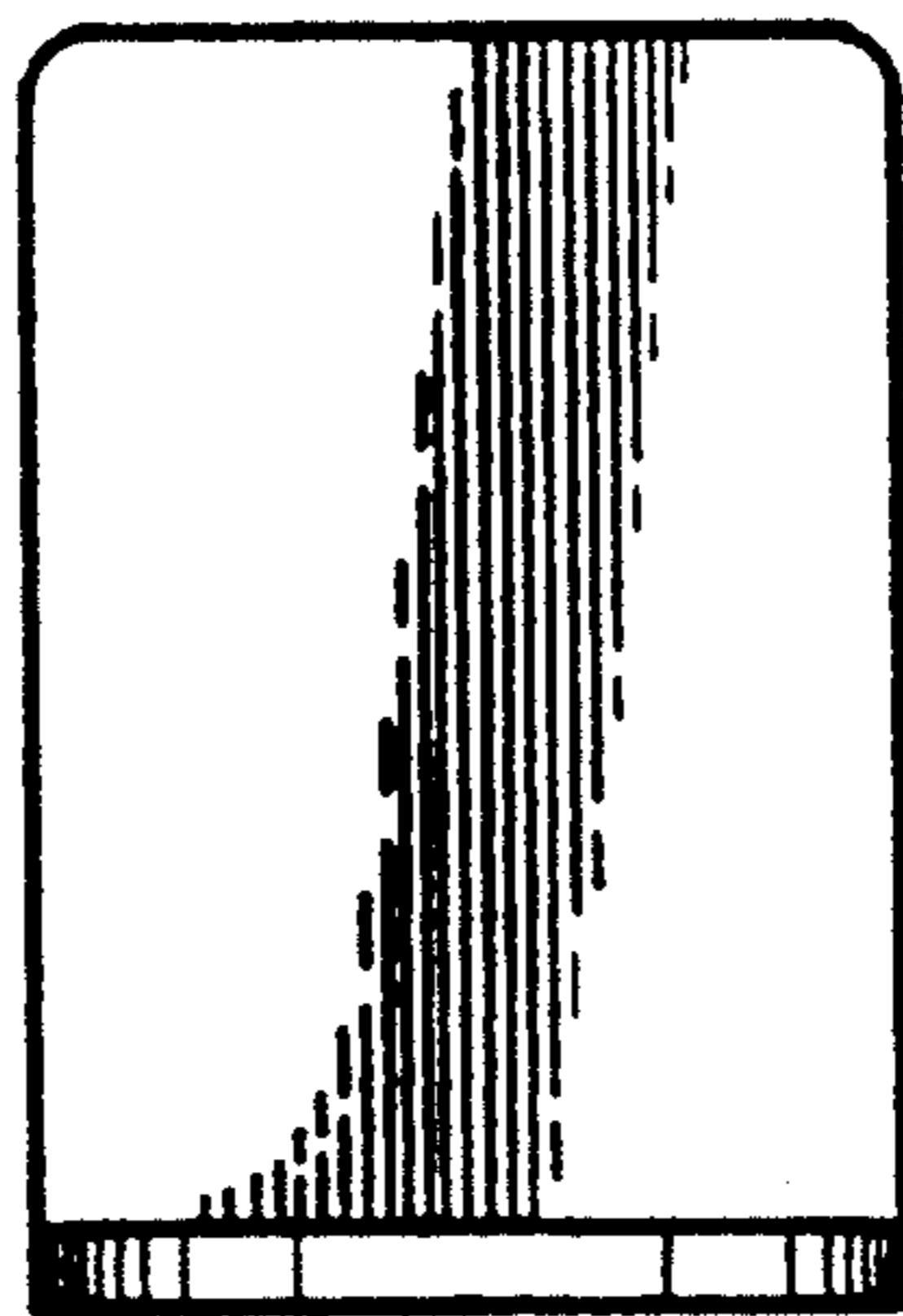


FIG. 3

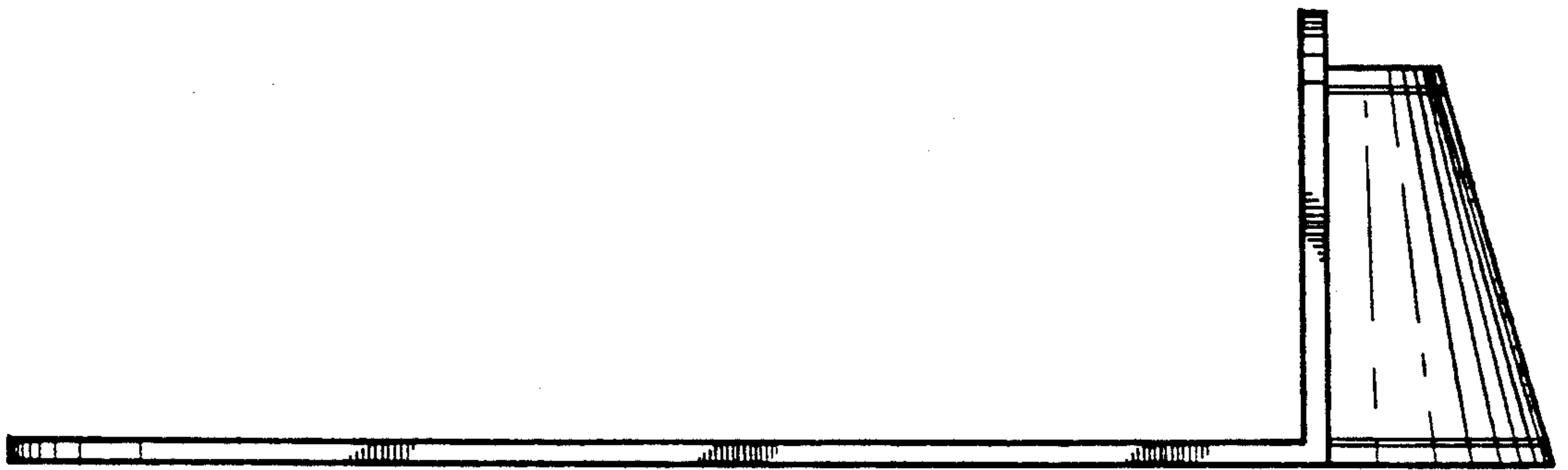


FIG. 4



FIG. 5

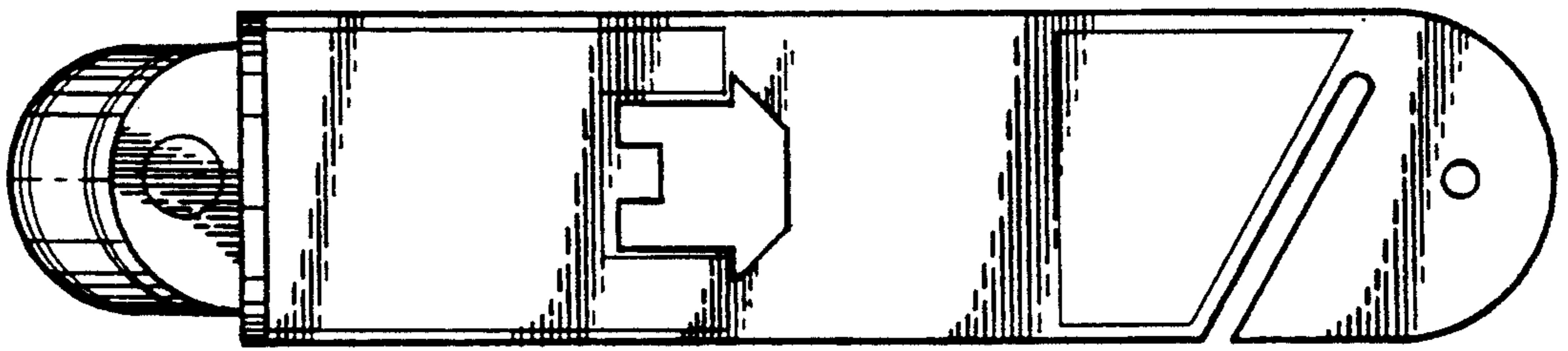


FIG. 6

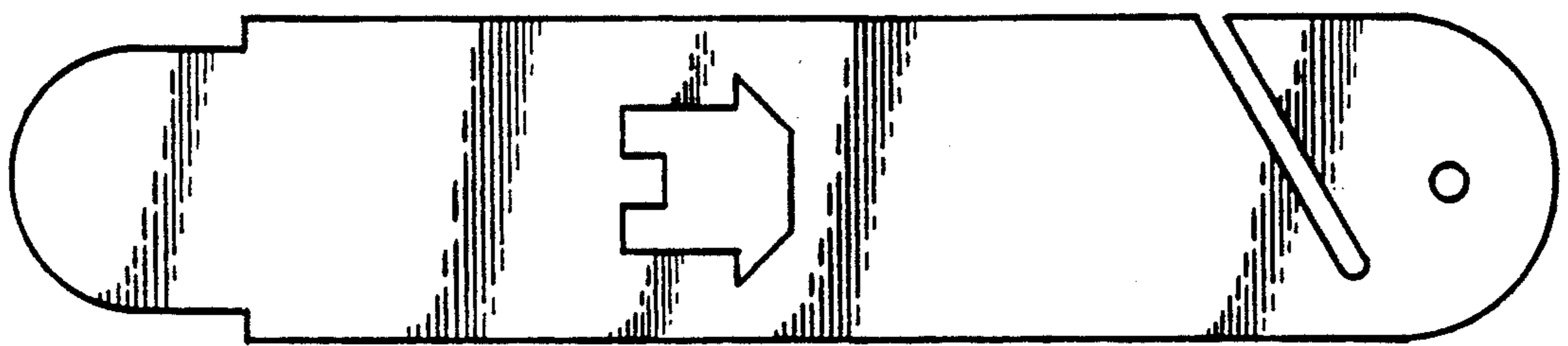


FIG. 7