



US00D336410S

United States Patent [19]

[11] Patent Number: **Des. 336,410**

Ancona et al.

[45] Date of Patent: **** Jun. 15, 1993**

[54] **CONDIMENT DISPENSER**

[57] **CLAIM**

[75] Inventors: **Bruce Ancona; Jane Ancona**, both of New York, N.Y.

The ornamental design for a condiment dispenser, as shown and described.

[73] Assignee: **M. Kamenstein, Inc.**, White Plains, N.Y.

DESCRIPTION

[**] Term: **14 Years**

FIG. 1 is a perspective view of a condiment dispenser showing our new design;

[21] Appl. No.: **819,014**

FIG. 2 is a left side elevational view thereof, a right side elevational view being a mirror image;

[22] Filed: **Jan. 10, 1992**

FIG. 3 is a rear elevational view thereof;

[52] U.S. Cl. **D7/679; D7/591**

FIG. 4 is a front elevational view thereof;

[58] Field of Search **D7/679, 590-600; 222/142.1-142.9; 241/168, 169, 169.1**

FIG. 5 is a top plan view thereof;

FIG. 6 is a bottom plan view thereof;

FIG. 7 is a side elevational view thereof showing the condiment dispenser in use with peppercorns contained therein, the peppercorns being shown for illustrative purposes only and forming no part of the claimed design;

[56] **References Cited**

U.S. PATENT DOCUMENTS

- D. 148,862 3/1948 Kasin .
- D. 311,664 10/1990 Stevens, Jr. D7/591
- D. 315,851 4/1991 Wu D7/679

FIG. 8 is a perspective view thereof of an alternate embodiment of FIG. 1;

FIG. 9 is a side elevational view thereof of FIG. 8;

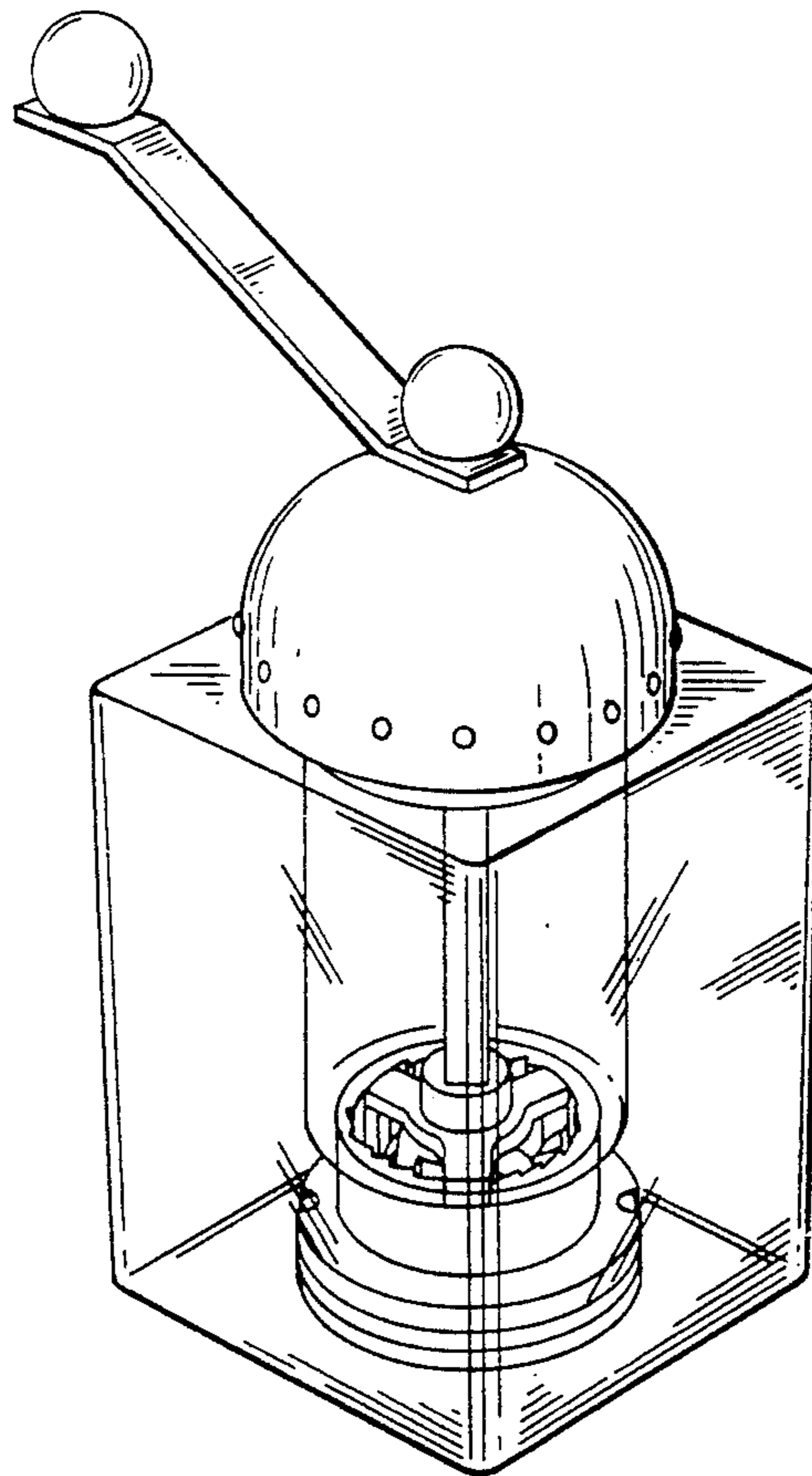
FIG. 10 is a top plan view thereof of FIG. 8;

FIG. 11 is a bottom plan view thereof of FIG. 8; and,

FIG. 12 is a side elevational view thereof of FIG. 8, showing the condiment dispenser in use with salt crystals contained therein, the salt crystals being shown for illustrative purposes only and forming no part of the claimed design.

Primary Examiner—Terry A. Pfeffer

Attorney, Agent, or Firm—James A. Drobile; Robert A. Koons; Robert Rosenthal



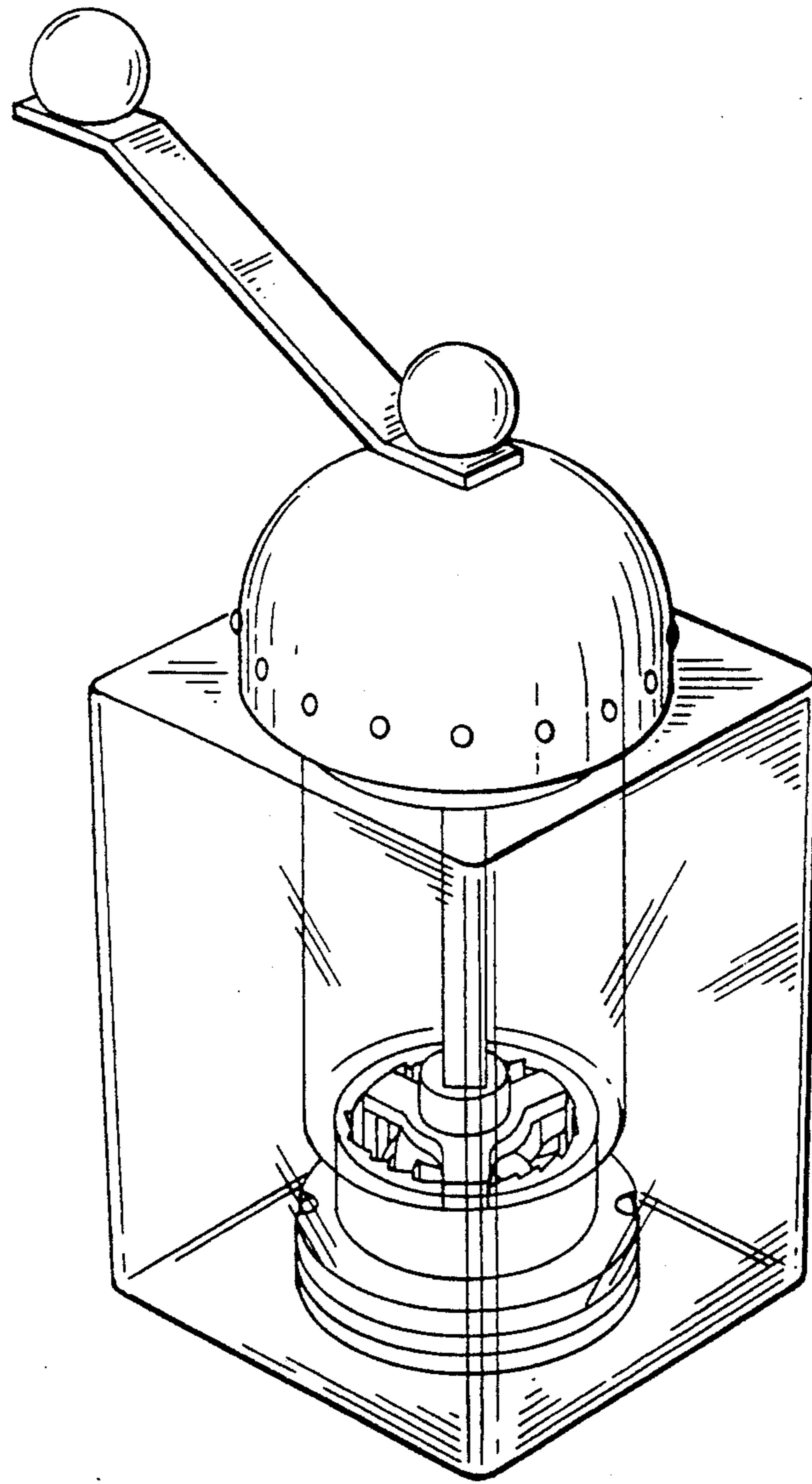


FIG. 1

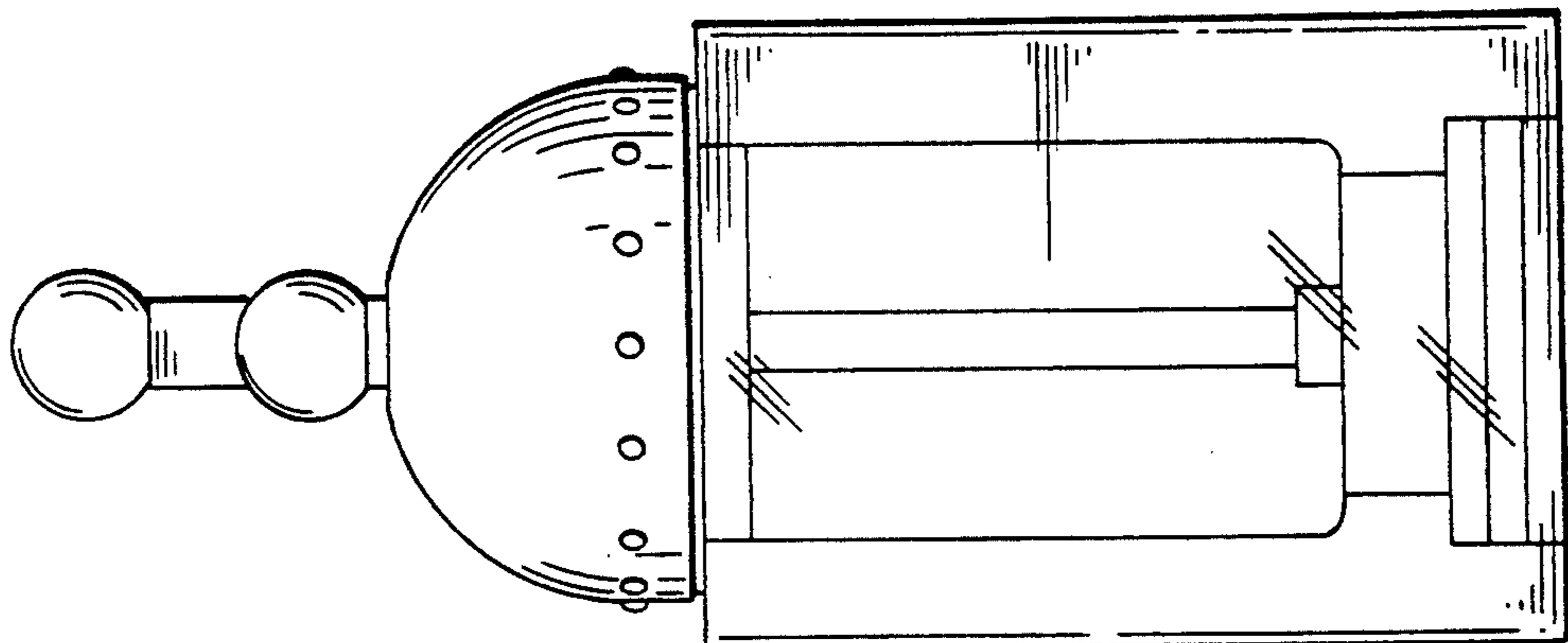


FIG. 4

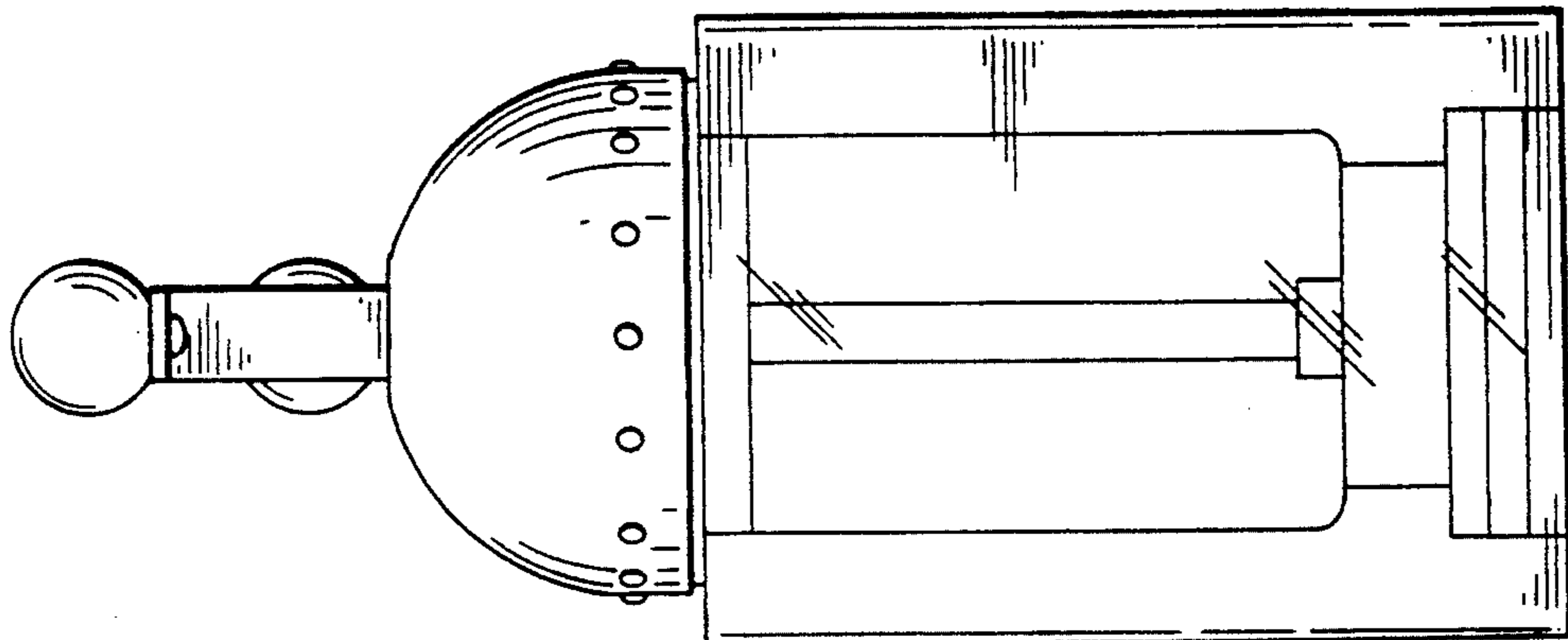


FIG. 3

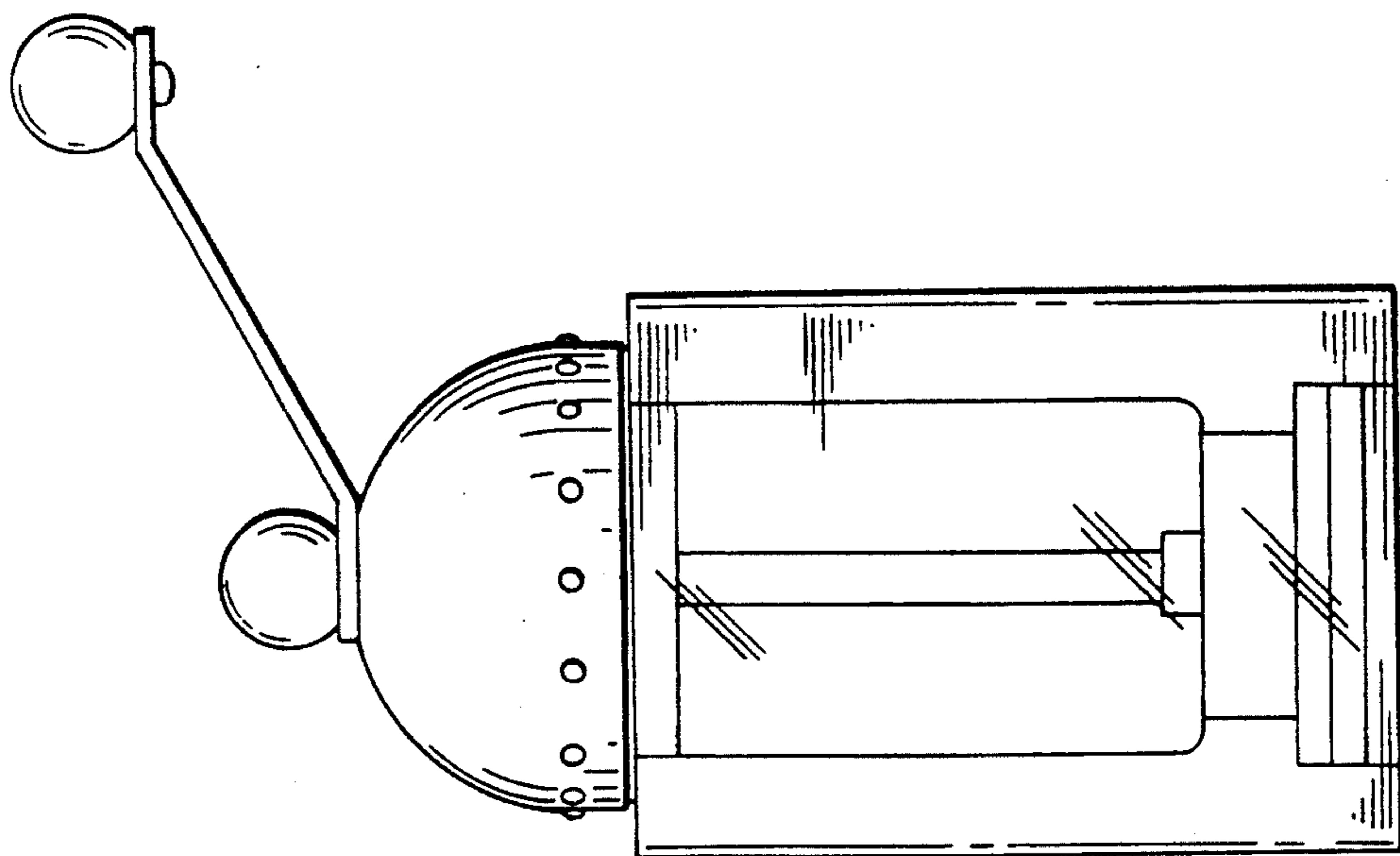


FIG. 2

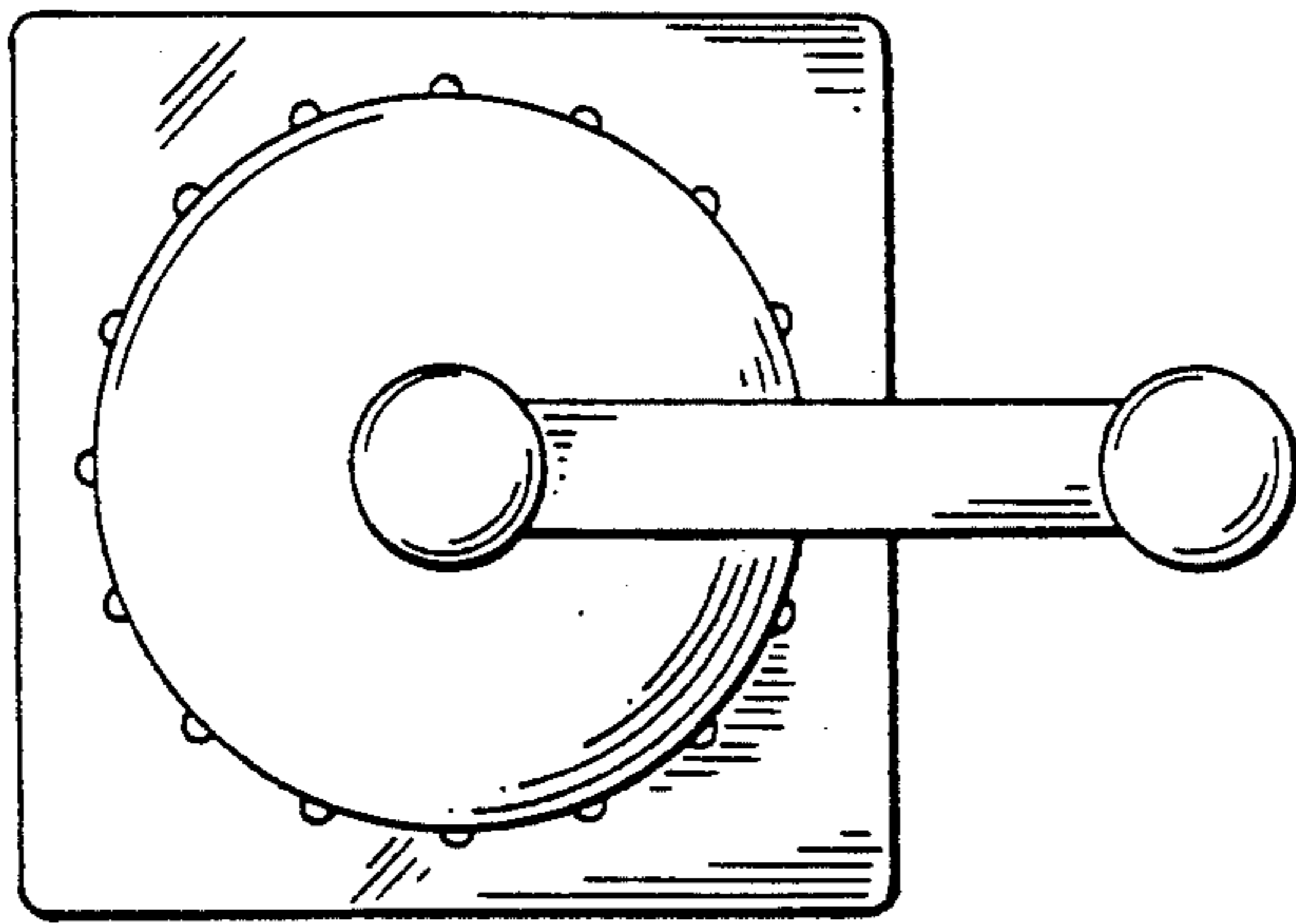


FIG. 5

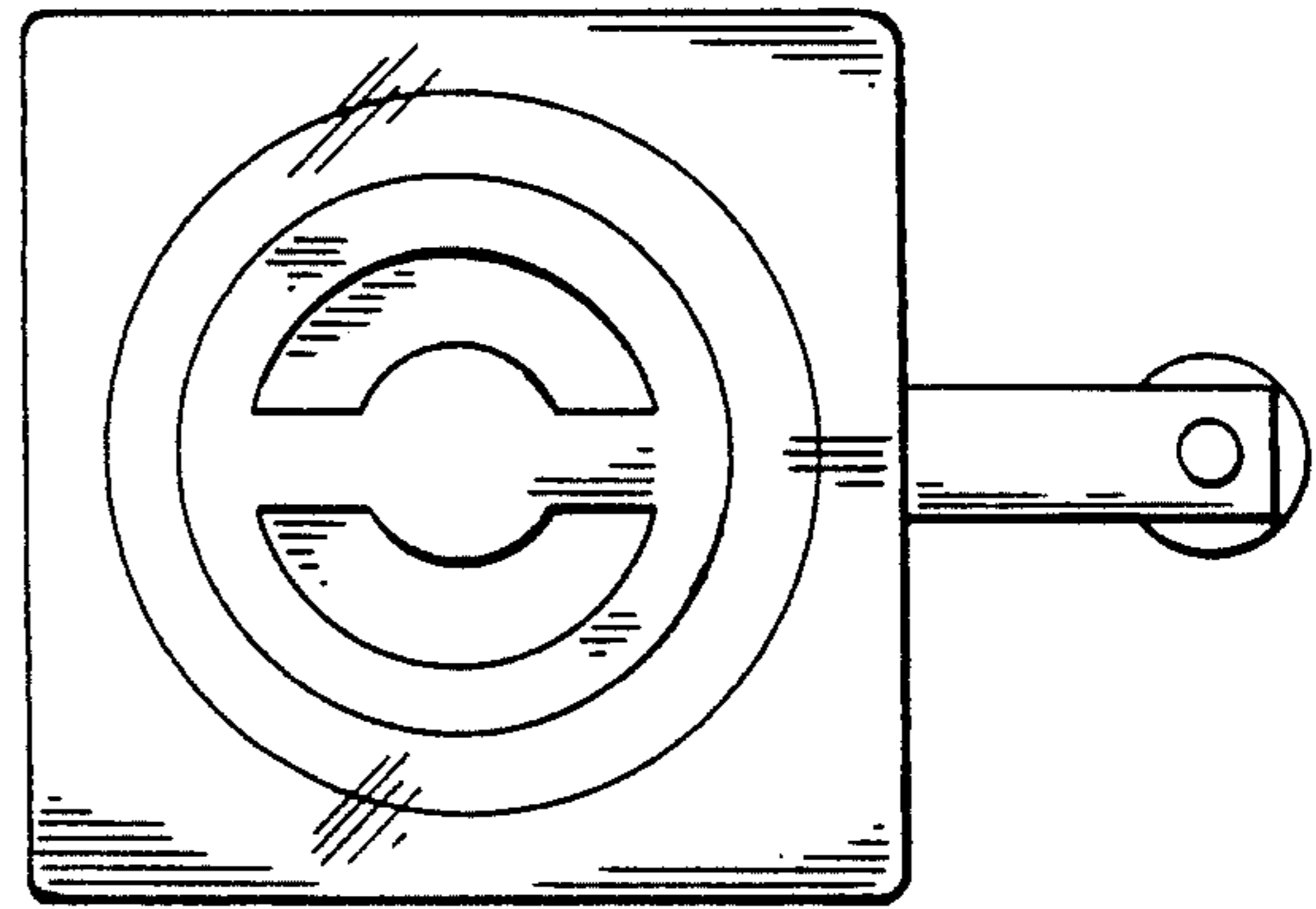


FIG. 6

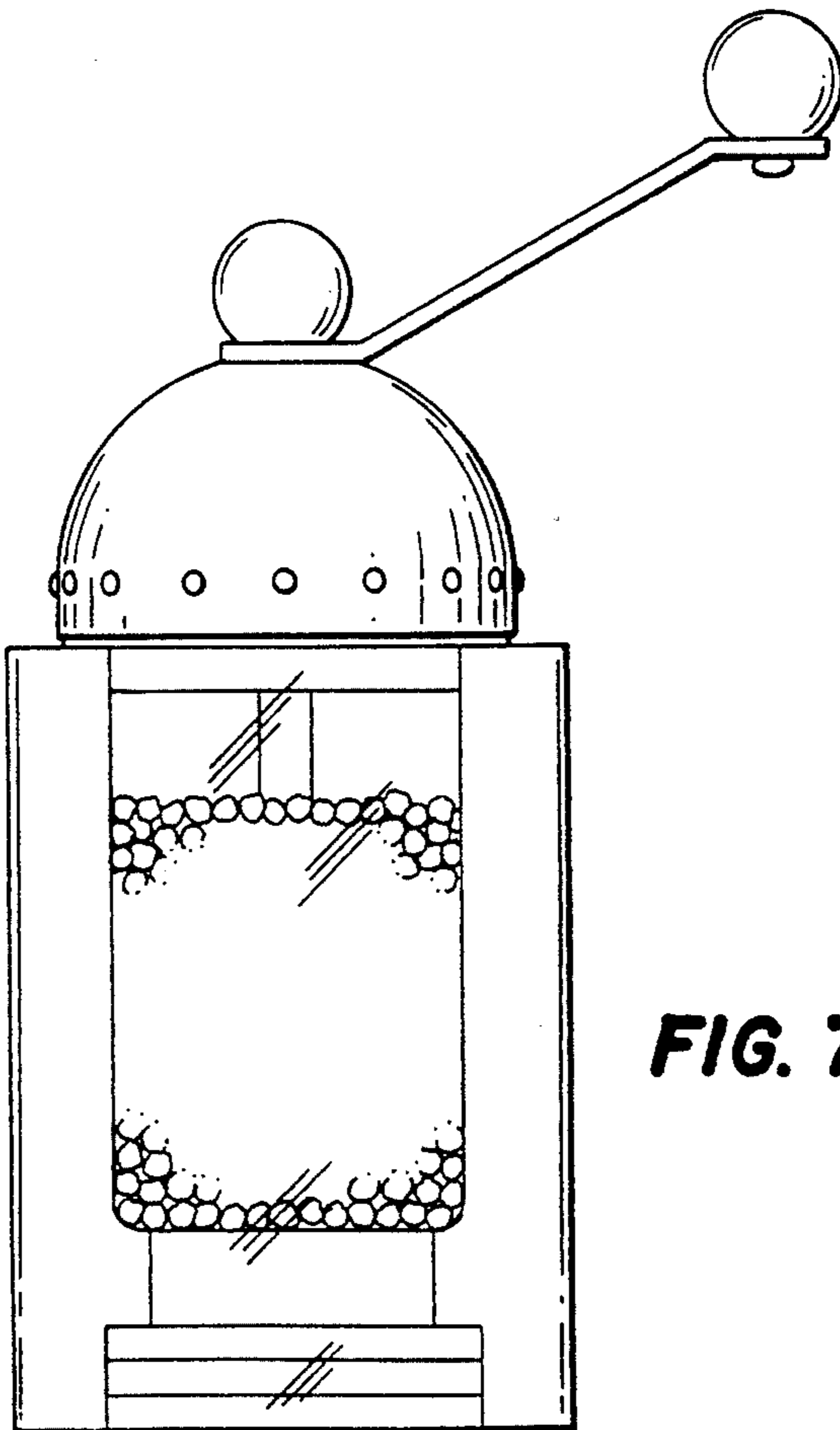


FIG. 7

FIG. 8

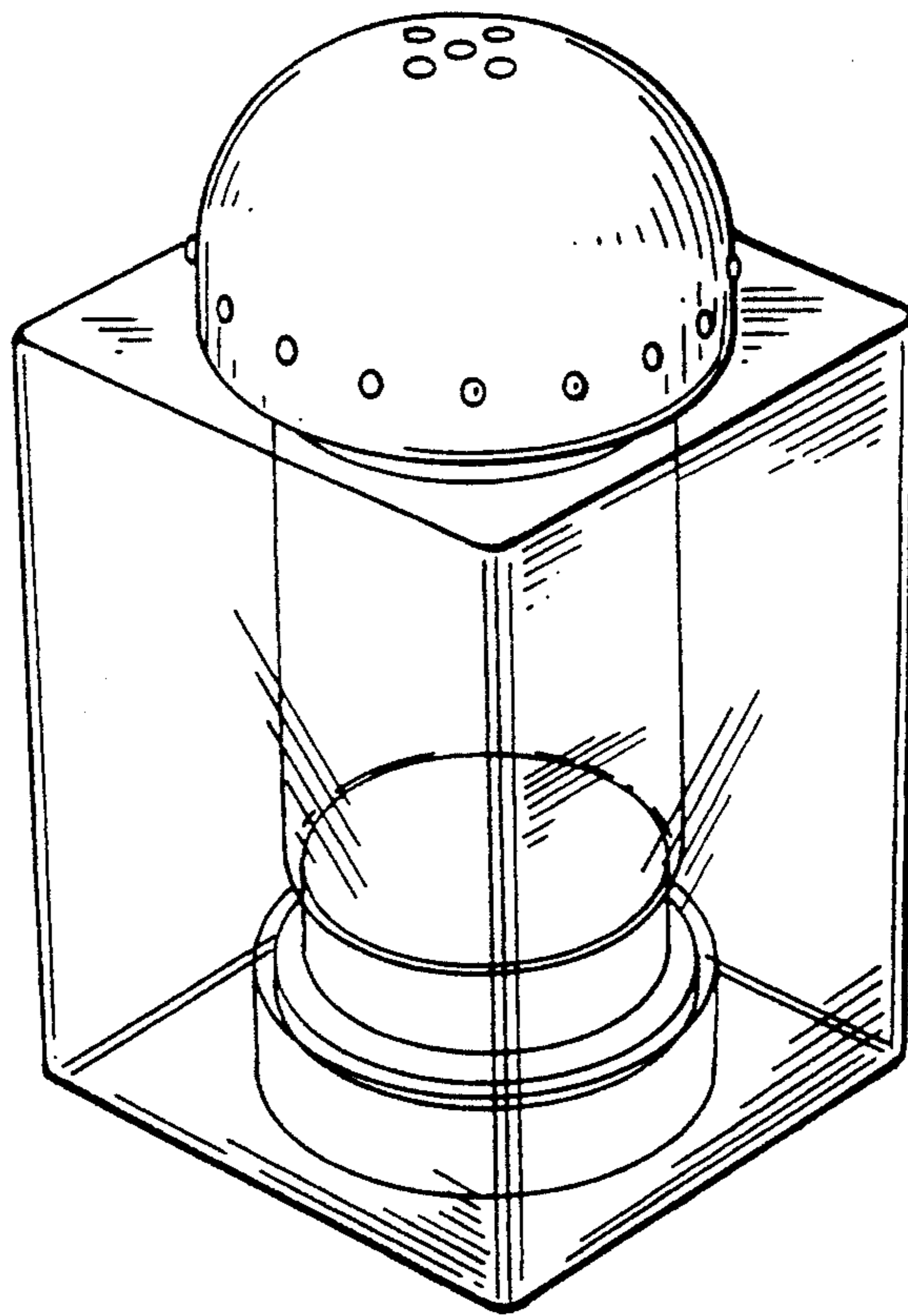


FIG. 9

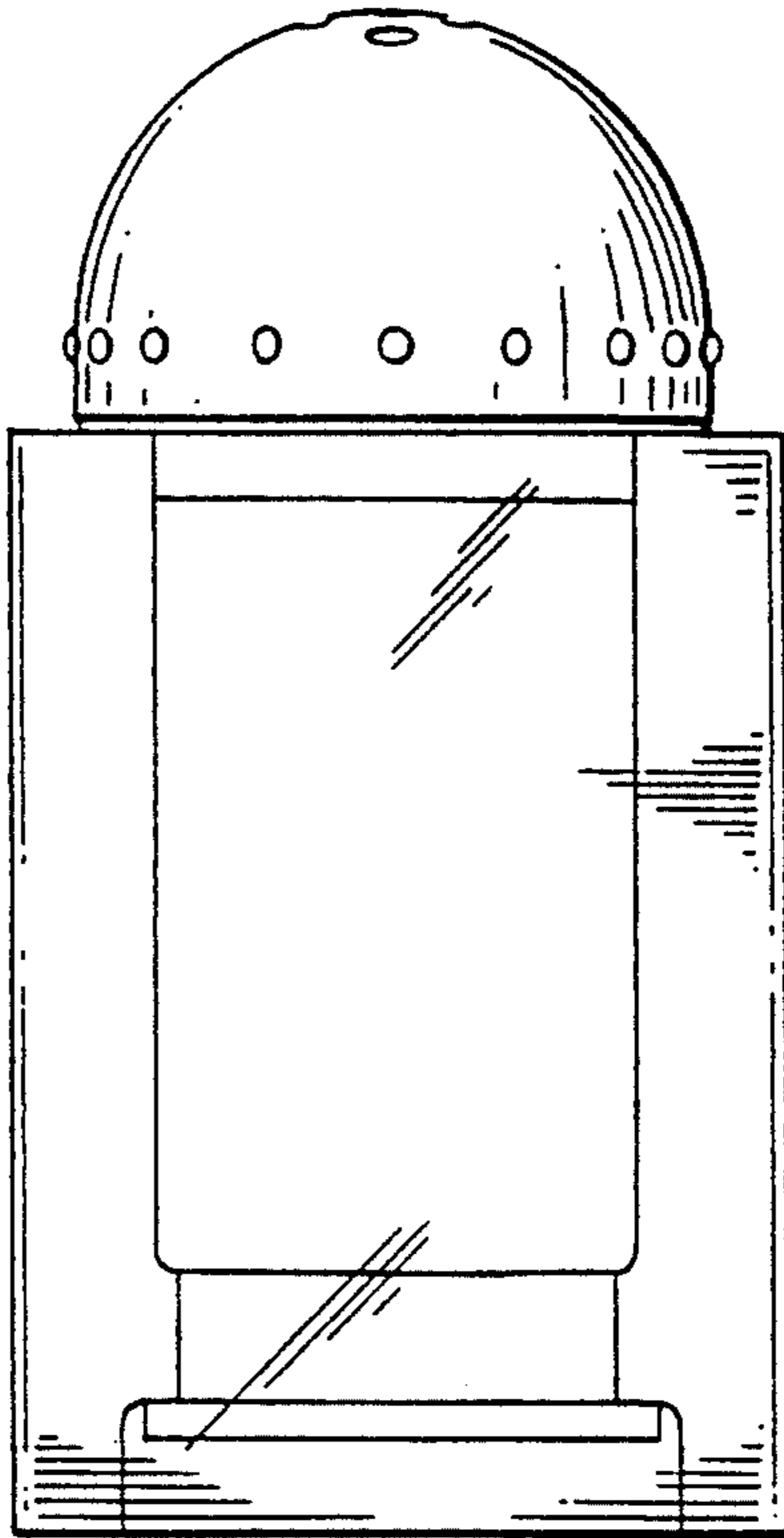


FIG. 10

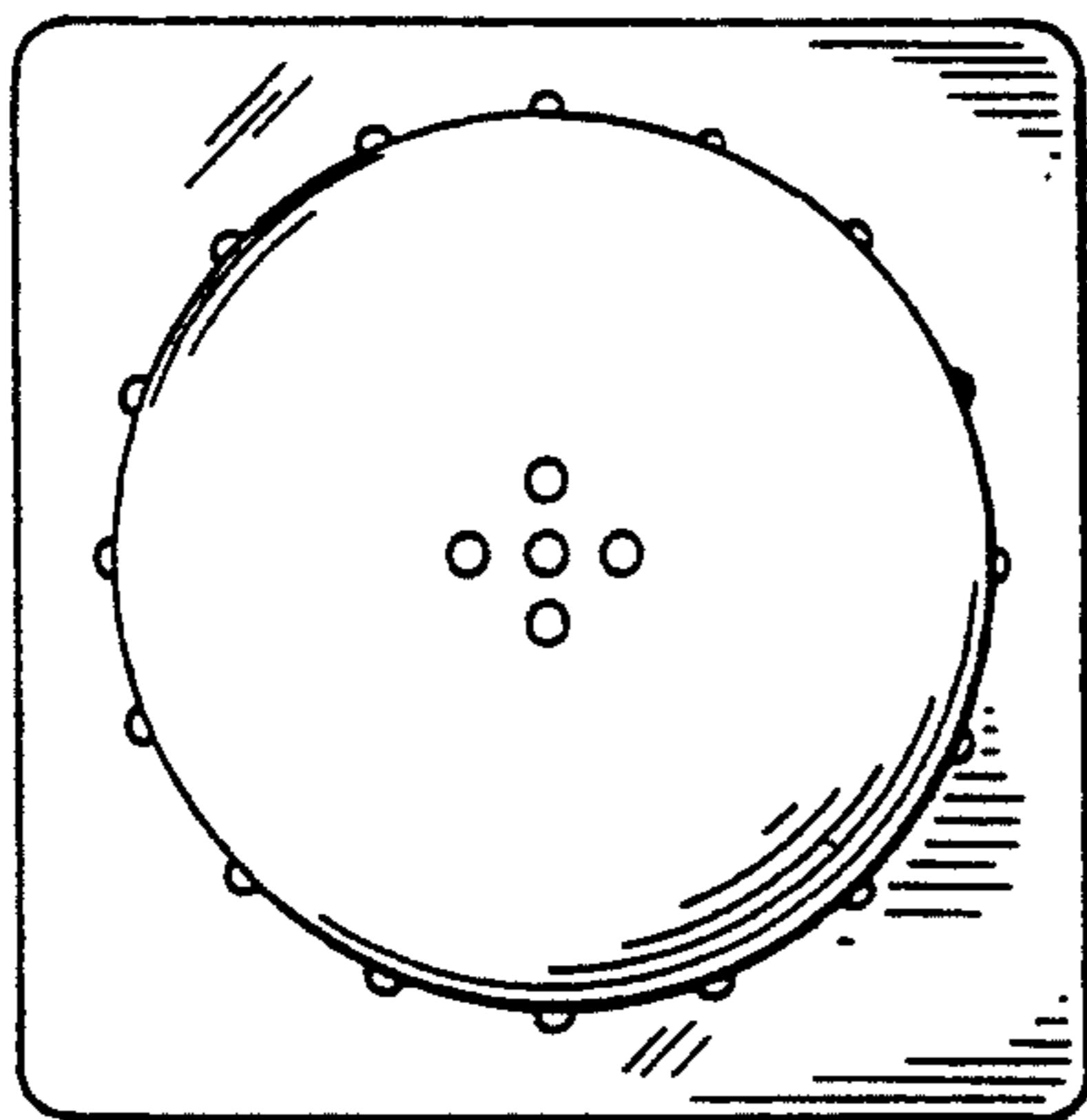


FIG. 11

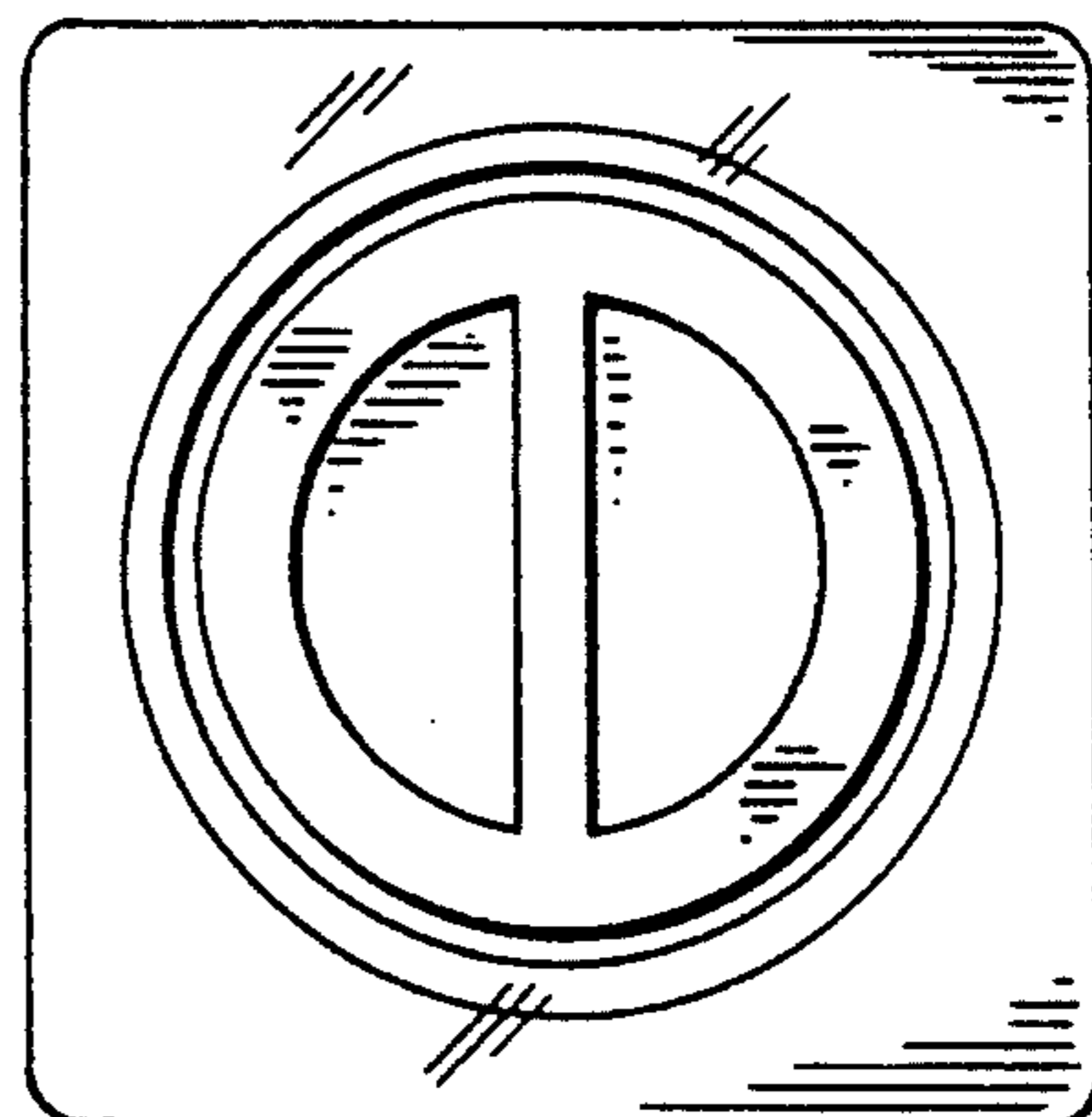


FIG. 12

