



US00D336407S

United States Patent [19]

Harding et al.

[11] Patent Number: **Des. 336,407**

[45] Date of Patent: **** Jun. 15, 1993**

[54] **SNACK TRAY**

[76] Inventors: **James H. Harding**, 3517 Coronado Dr., Louisville, Ky. 40241; **Pedro L. Medina**, 5700 Toebbe La., Louisville, Ky. 40229

[**] Term: **14 Years**

[21] Appl. No.: **552,450**

[22] Filed: **Jul. 13, 1990**

[52] U.S. Cl. **D7/553; D7/555**

[58] Field of Search **D7/549, 550, 544, 553, D7/554, 555, 543; D9/341, 347; 206/561; 229/904, 2.5 R**

[56] **References Cited**

U.S. PATENT DOCUMENTS

D. 70,478	6/1926	Kopel	D7/544
D. 87,682	7/1832	Porter	D7/543
D. 171,104	12/1953	Randall	D9/347 X
D. 223,681	5/1972	Whitaker	D7/616
D. 257,113	9/1980	McCaffrey	D7/601
D. 268,645	4/1983	Phillips	D7/554 X
D. 290,919	7/1987	Beute	D7/543
D. 296,404	6/1988	Lowenbein	D7/553
D. 301,820	6/1989	Wasserman	D7/553
D. 320,537	10/1991	Sauter et al.	D7/554 X
1,095,256	5/1914	Willis	206/81
2,026,396	9/1935	Meinecke	206/459.5
3,113,710	12/1963	Meagher	D7/553 X
3,498,470	3/1970	Thomas	D7/553 X
3,670,938	6/1972	Brocato	206/562
3,955,672	5/1976	Brundage	206/562

4,219,144	8/1980	Hagelberg	229/2.5 R
4,516,685	5/1985	French	D7/543 X
4,607,758	8/1926	Stevens	220/23.83
4,966,297	10/1990	Doty	D7/543 X

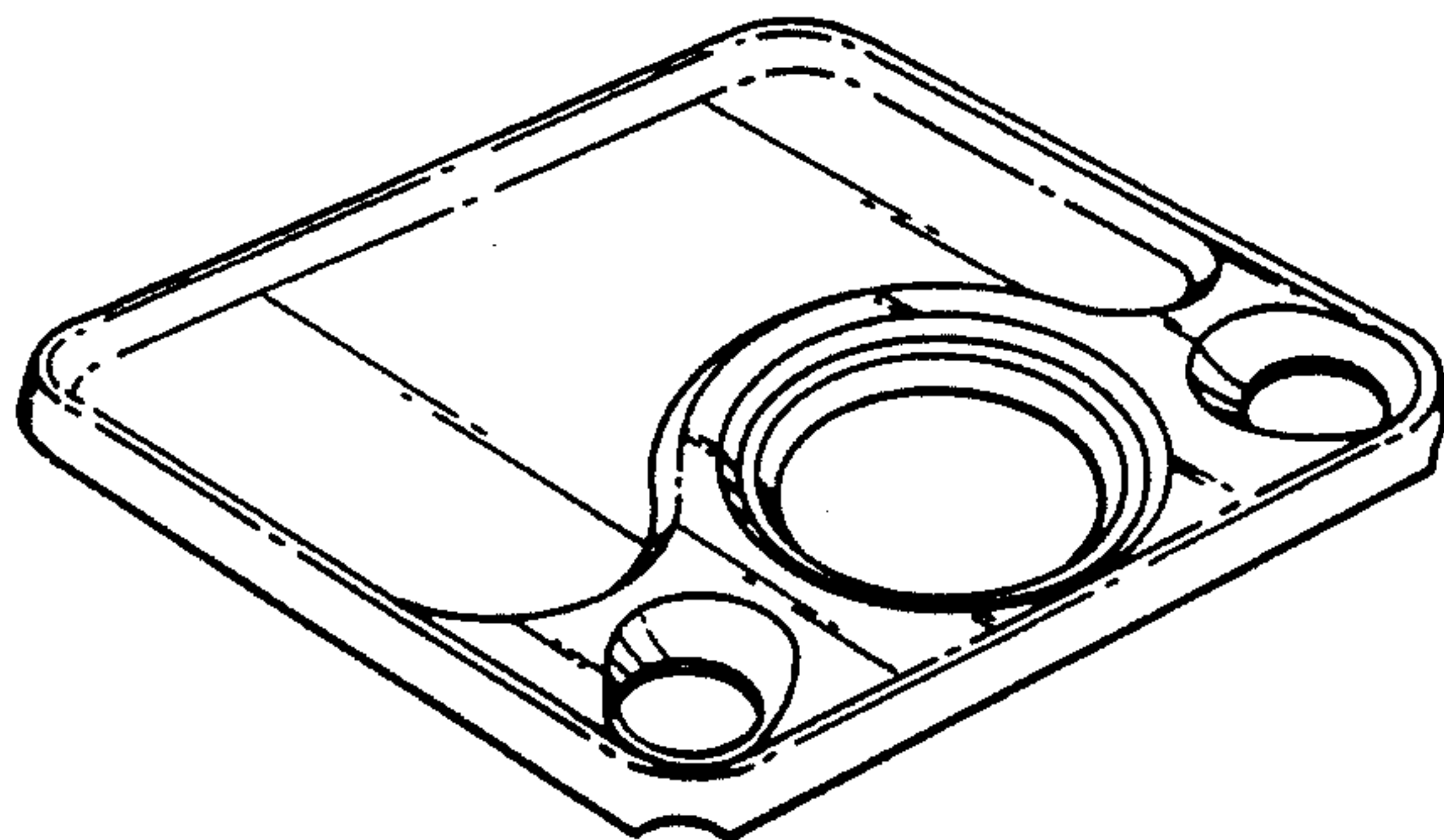
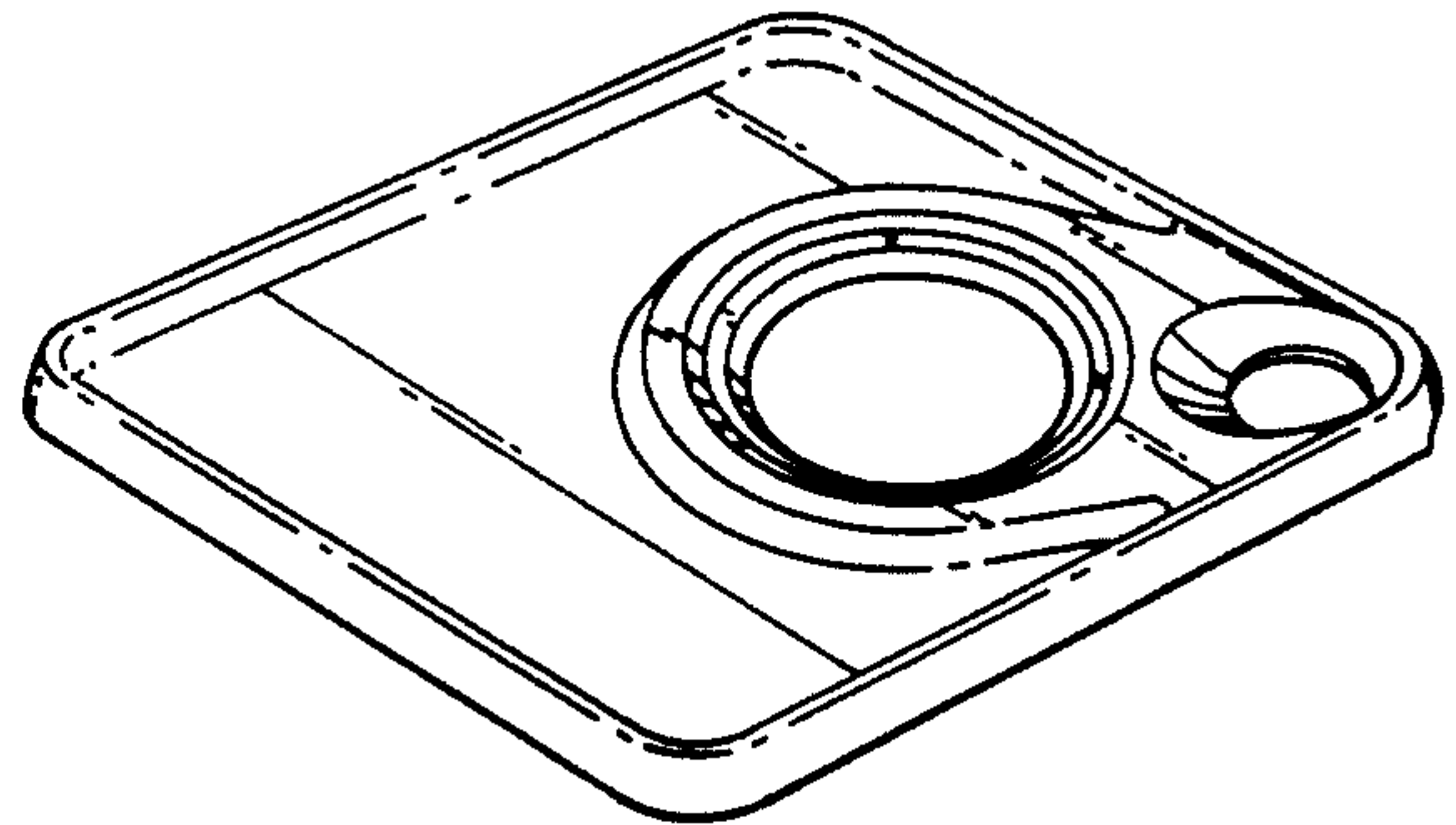
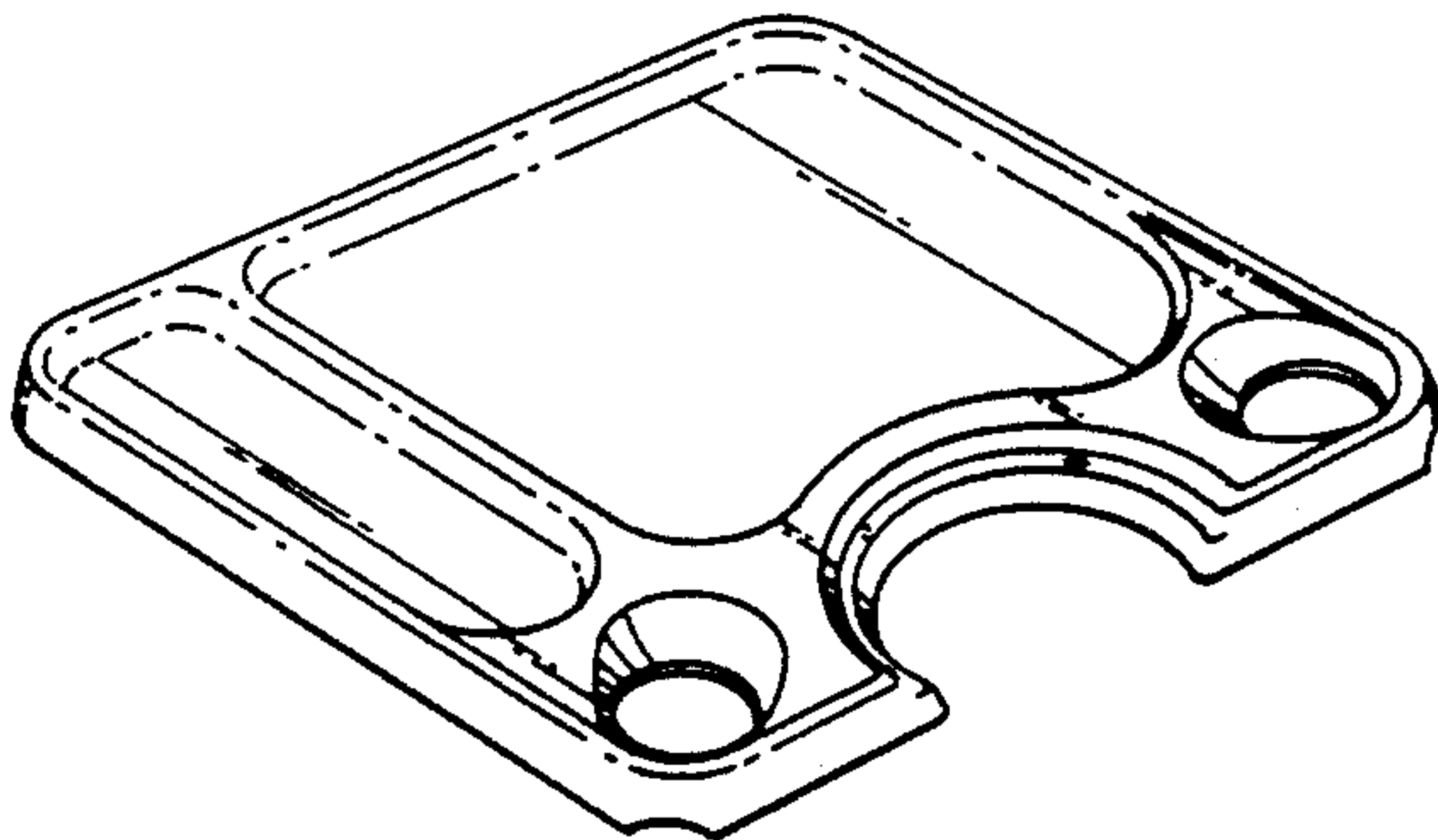
Primary Examiner—Alan P. Douglas
Assistant Examiner—Caron D. Veynar
Attorney, Agent, or Firm—Hoffman, Wasson & Gitler

[57] **CLAIM**

The ornamental snack tray, as shown and described.

DESCRIPTION

FIG. 1 is a perspective view of a snack tray, showing our new design;
 FIG. 2 is a top plan view thereof;
 FIG. 3 is a sectional view taken along the line 3—3 in FIG. 2;
 FIG. 4 is a sectional view taken along the line 4—4 in FIG. 2.
 FIG. 5 is a perspective view showing a first alternative snack tray design;
 FIG. 6 is a top plan view thereof;
 FIG. 7 is a sectional view taken along the line 7—7 in FIG. 6;
 FIG. 8 is a sectional view taken along the line 8—8 in FIG. 6;
 FIG. 9 is a perspective view showing a second alternative snack tray design;
 FIG. 10 is a top plan view thereof;
 FIG. 11 is a sectional view taken along the line 11—11 in FIG. 9; and,
 FIG. 12 is a sectional view taken along the line 12—12 in FIG. 9.



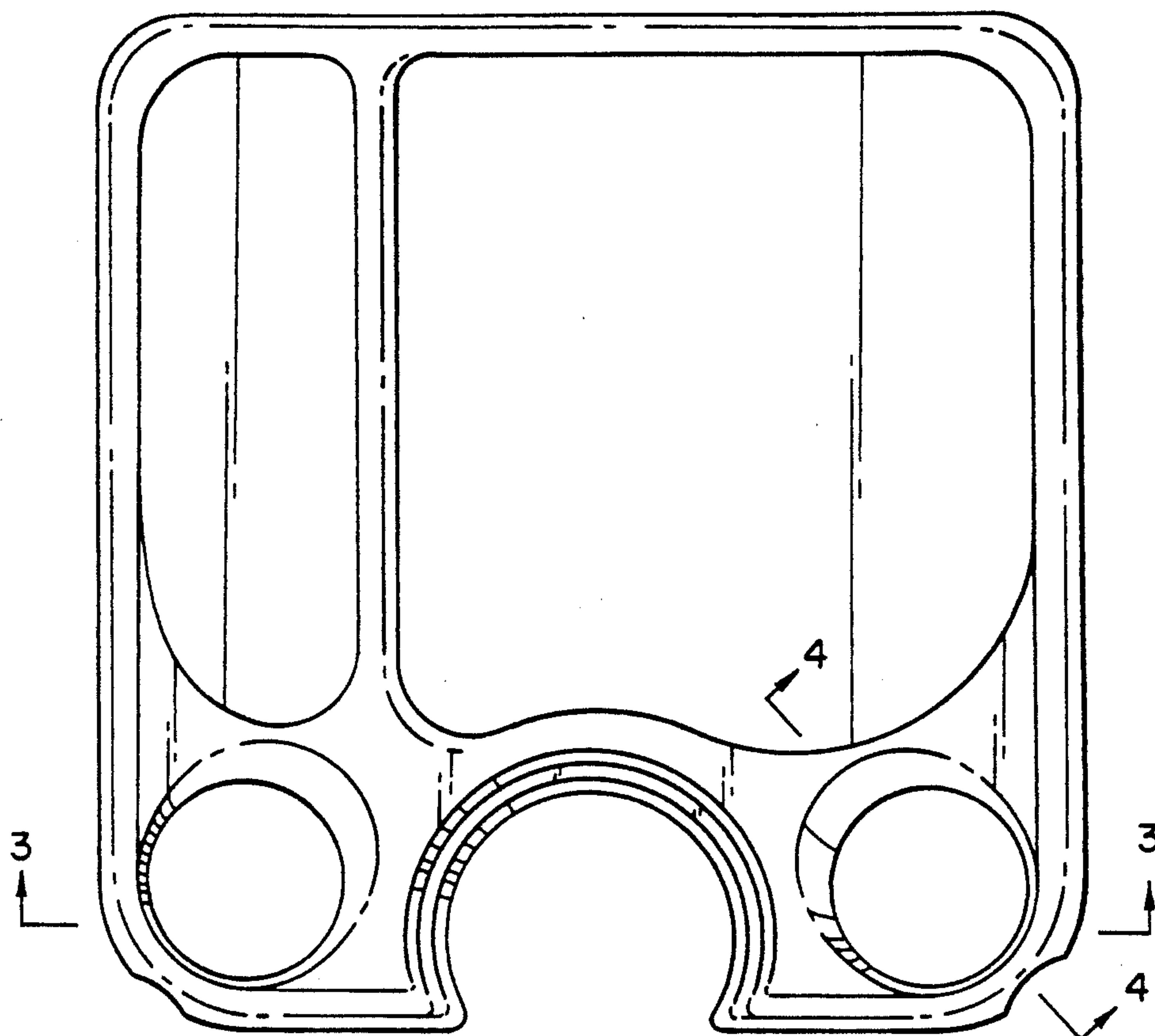


FIG. 2

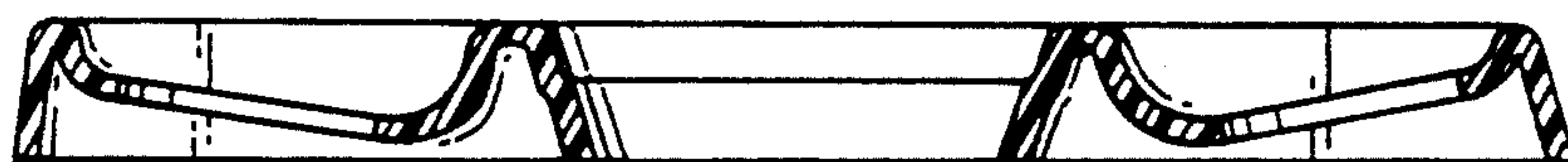


FIG. 3



FIG. 4

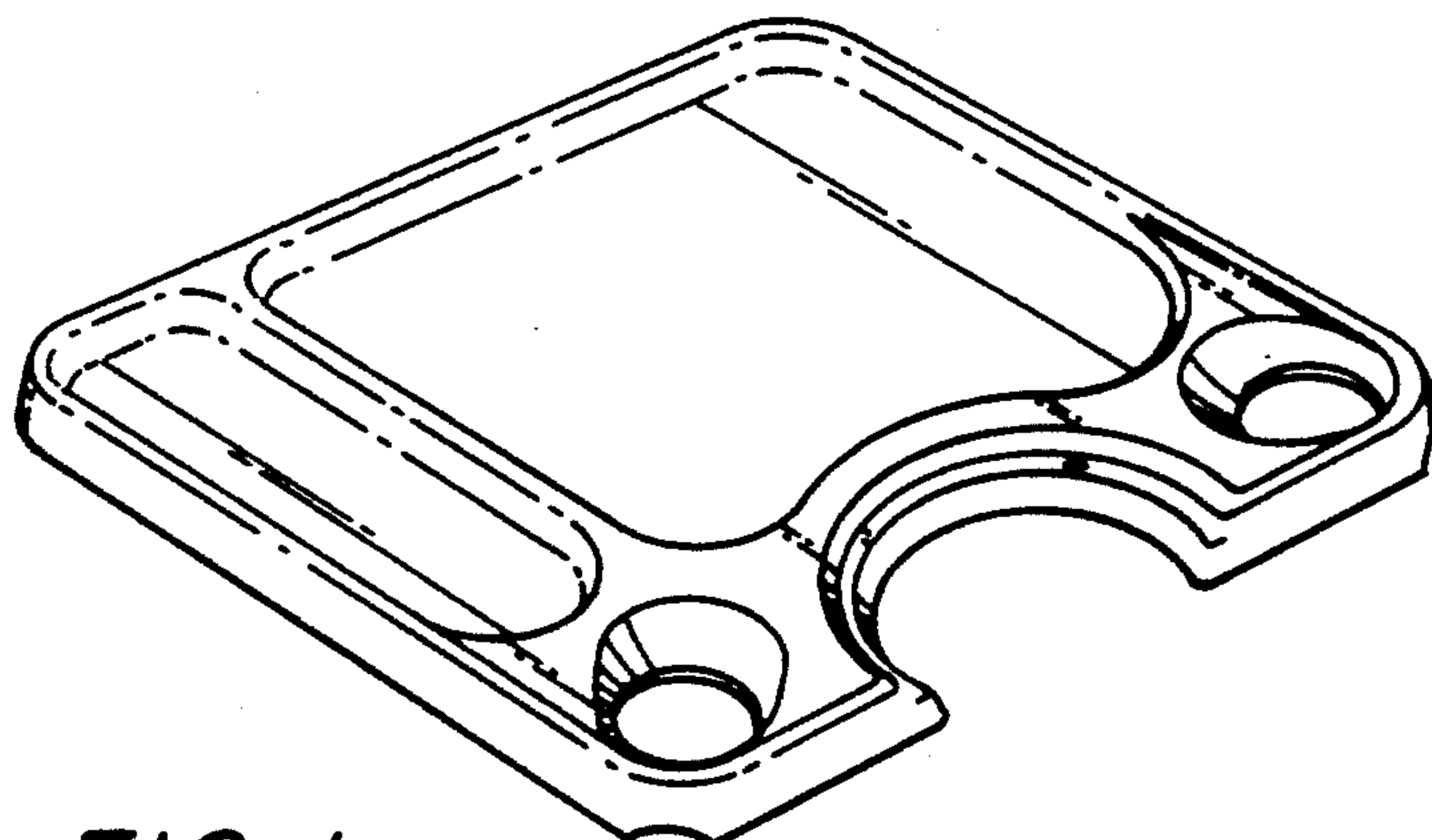


FIG. 1

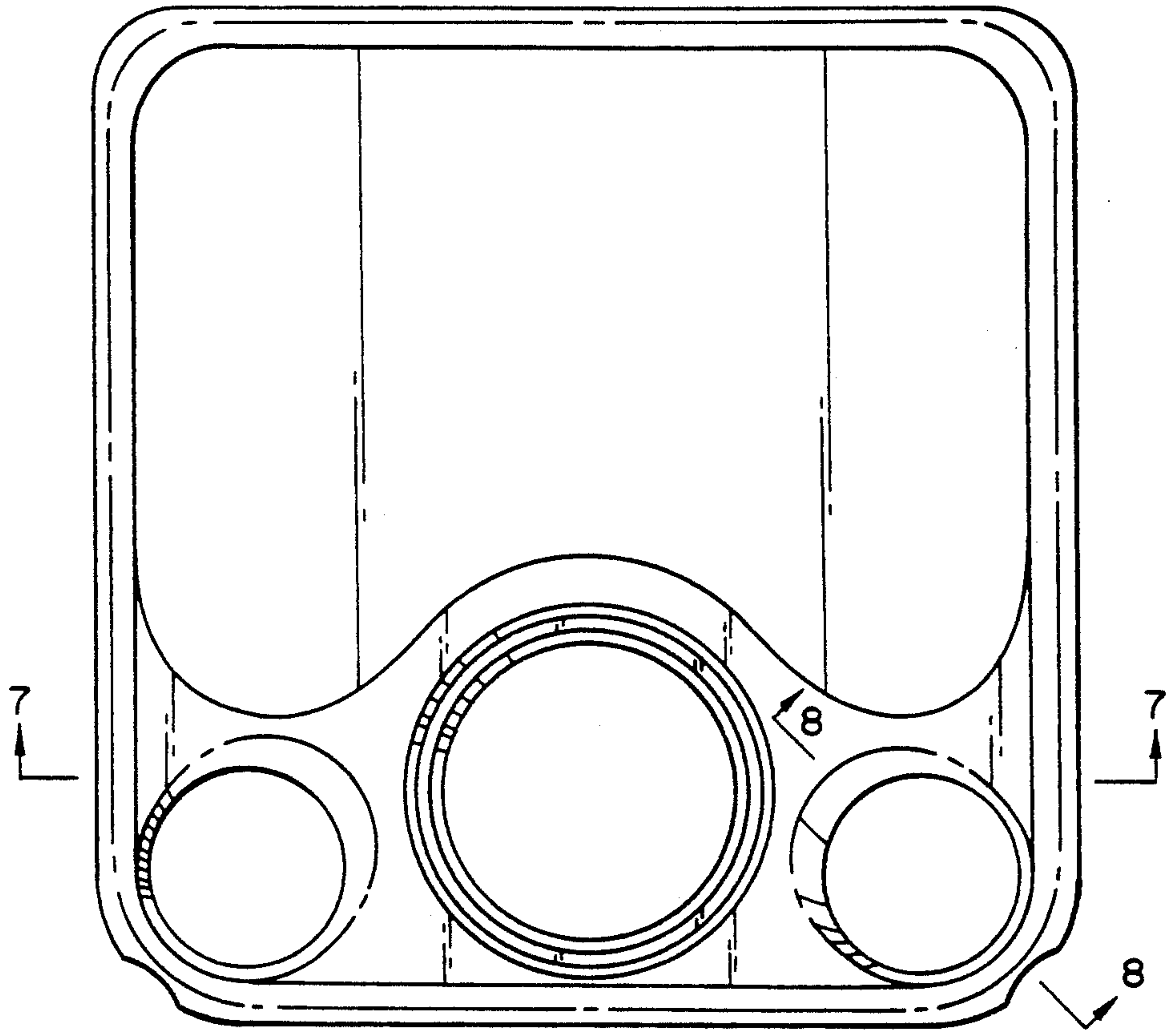


FIG. 6

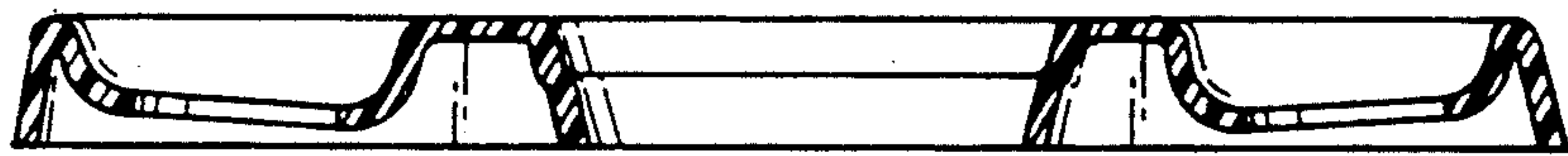


FIG. 7



FIG. 8

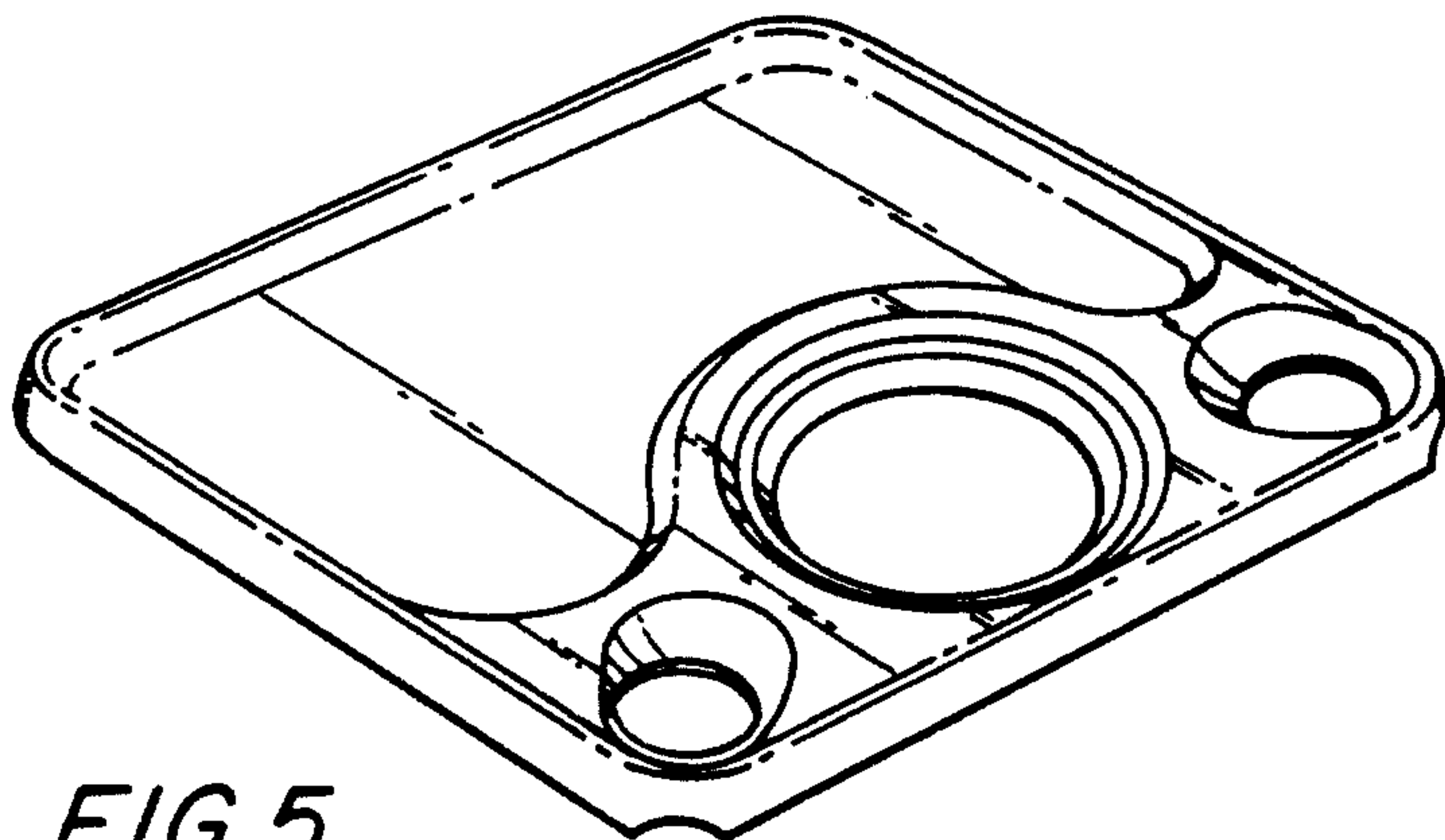


FIG. 5

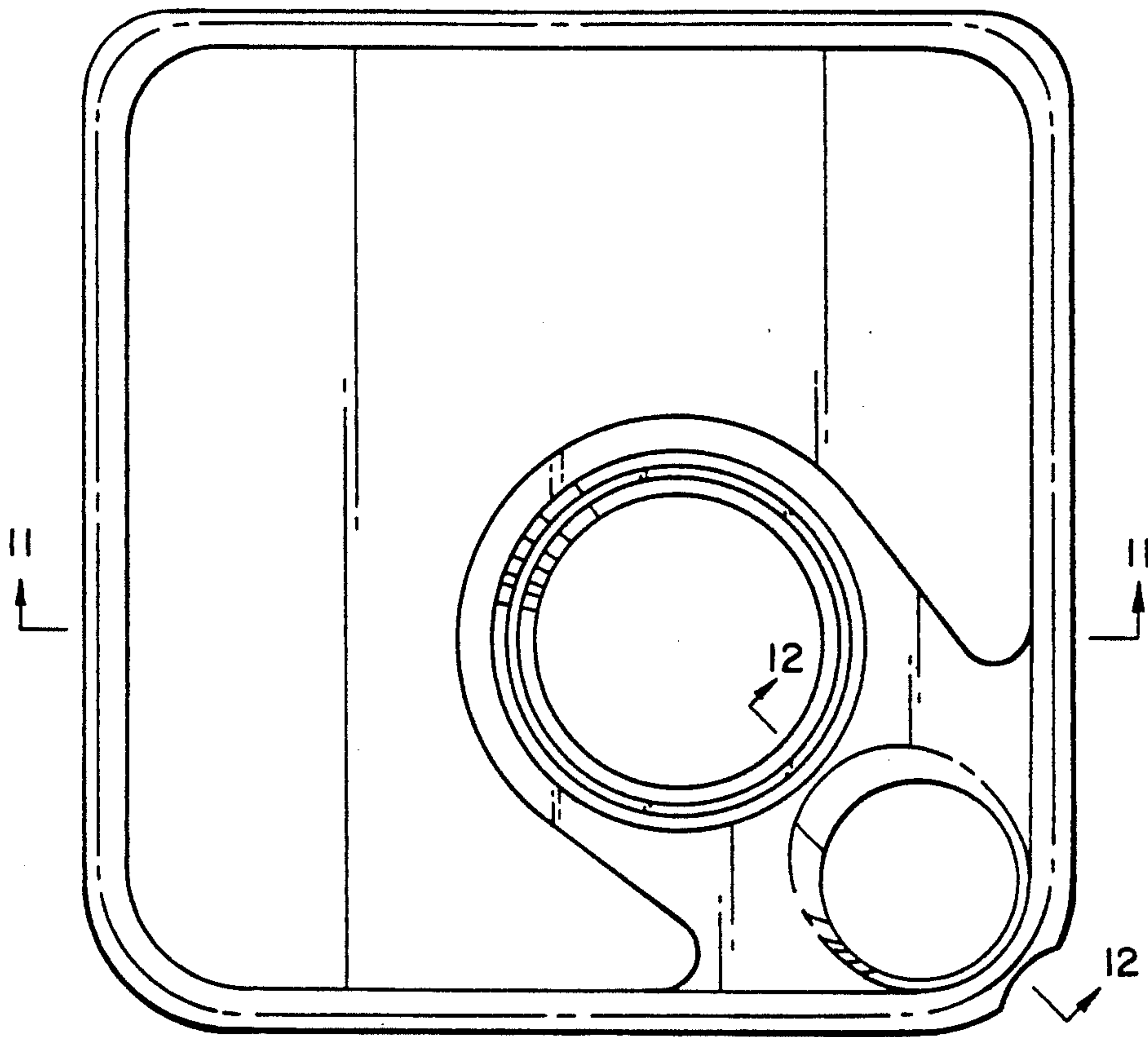


FIG. 10



FIG. 11

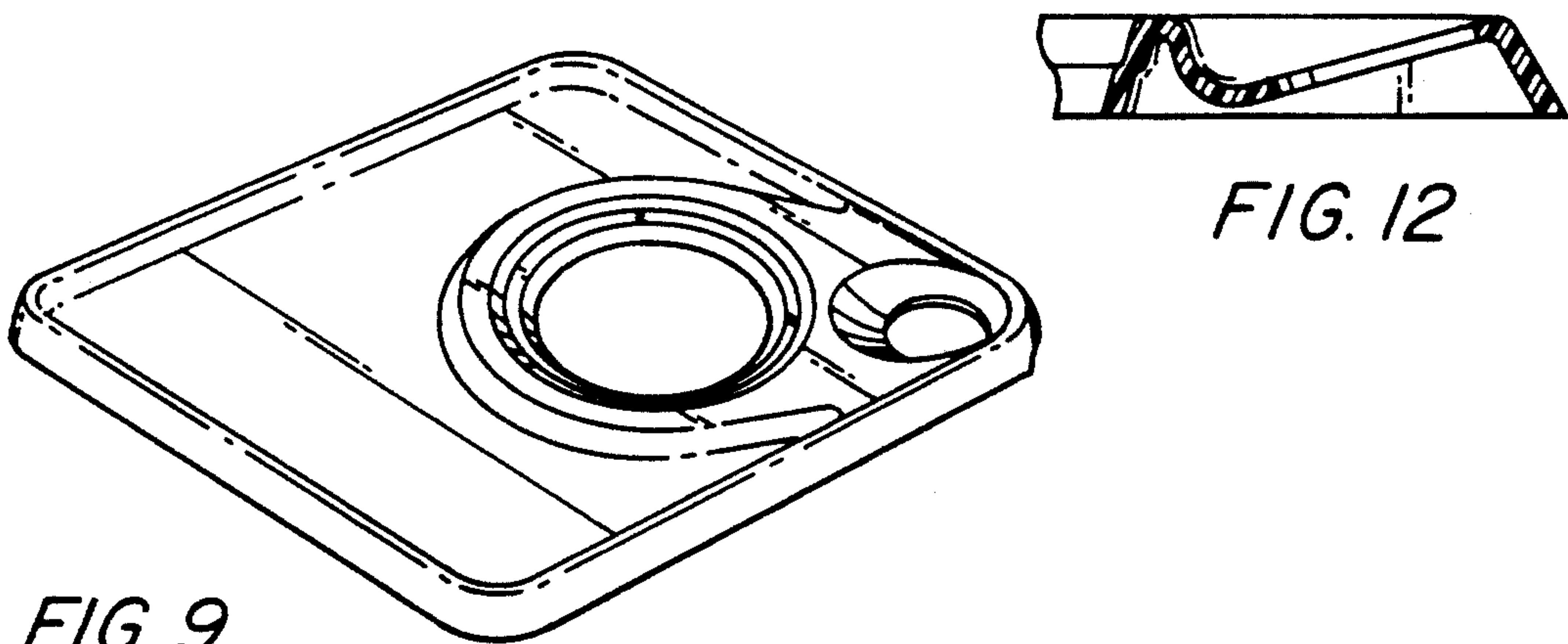


FIG. 9

FIG. 12