



US00D336406S

# United States Patent [19]

[11] Patent Number: **Des. 336,406**

Wytiuk

[45] Date of Patent: **\*\* Jun. 15, 1993**

[54] TACO TRAY

[76] Inventor: **Roman Wytiuk**, 82 Princess Margaret Blvd., Etobicoke, Ontario, Canada, M9B 2YA

[\*\*] Term: **14 Years**

[21] Appl. No.: **618,316**

[22] Filed: **Nov. 26, 1990**

[52] U.S. Cl. .... **D7/504; D7/553; D9/341; D9/456; D34/40**

[58] Field of Search ..... **D7/359, 409, 504, 546, D7/550, 553; D9/341, 345, 456; D24/227, 229, 230; D34/38, 40; 229/2.5, 904; 211/126**

[56] **References Cited**

### U.S. PATENT DOCUMENTS

- D. 205,735 9/1966 Weiner ..... D9/456
- D. 209,605 12/1967 Zoeller et al. .... D7/359
- D. 215,823 11/1969 Bridgford ..... D9/456
- D. 219,645 1/1971 Rabe ..... D9/456
- D. 257,110 9/1980 Conti ..... D9/341 X

- D. 297,797 9/1988 Roberts ..... D7/504
- 2,796,742 6/1957 Platt ..... D24/229 X
- 3,207,302 9/1965 Hobbs ..... D24/229 X
- 3,272,371 9/1966 Weiner ..... D9/345 X
- 3,994,212 11/1976 Wong ..... D7/359 X
- 4,004,501 1/1977 Guerrero ..... D7/546 X

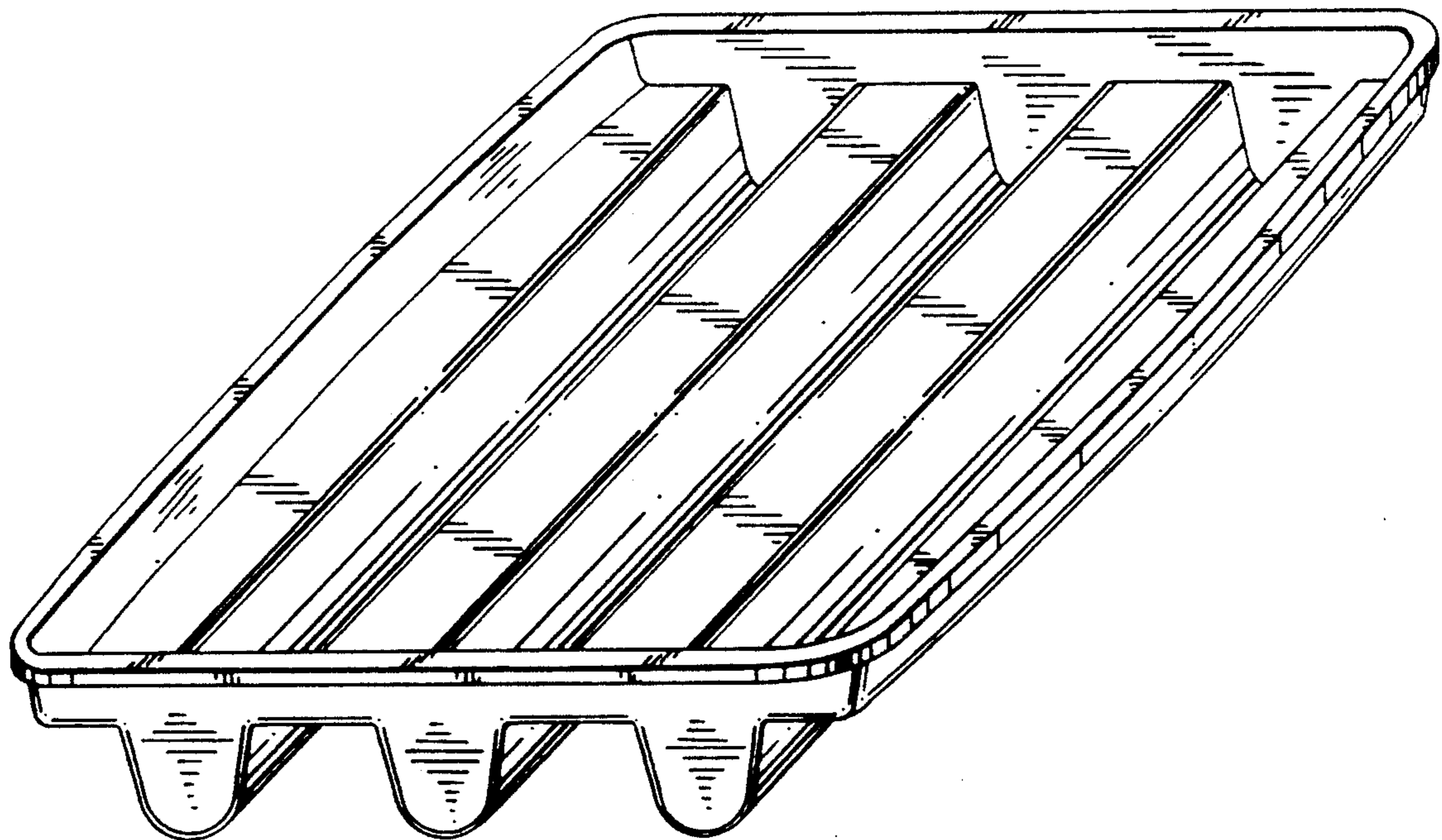
*Primary Examiner*—Douglas Alan P.  
*Assistant Examiner*—Caron D. Veynar  
*Attorney, Agent, or Firm*—Bauer & Schaffer

### [57] CLAIM

The ornamental design for a taco tray, as shown and described.

### DESCRIPTION

FIG. 1 is a top plan view of the taco tray according to my design;  
 FIG. 2 is an end elevation, the other end being identical thereto;  
 FIG. 3 is a bottom plan;  
 FIG. 4 is a side elevation, the other side being identical thereto; and,  
 FIG. 5 is an isometric view.



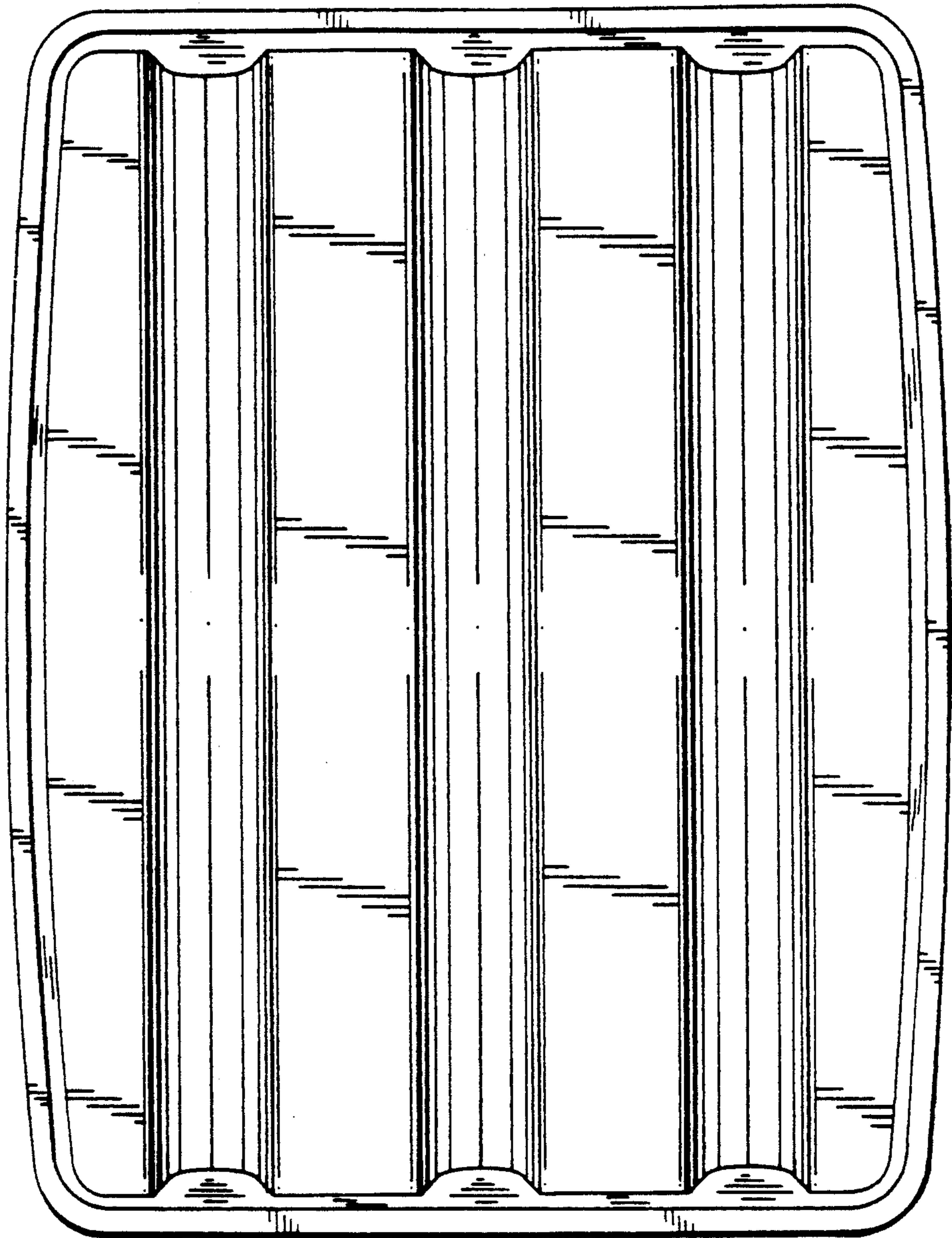


FIG. 1

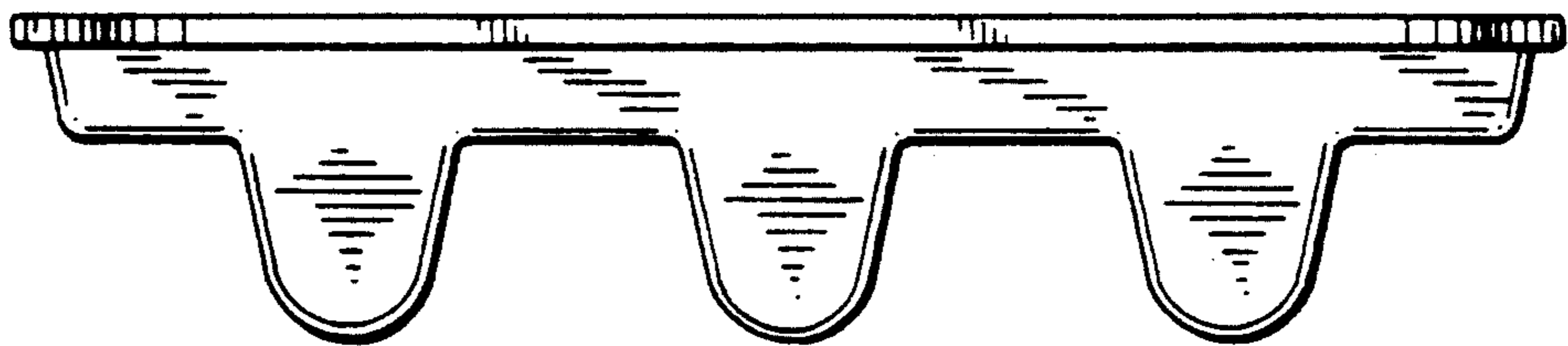


FIG. 2

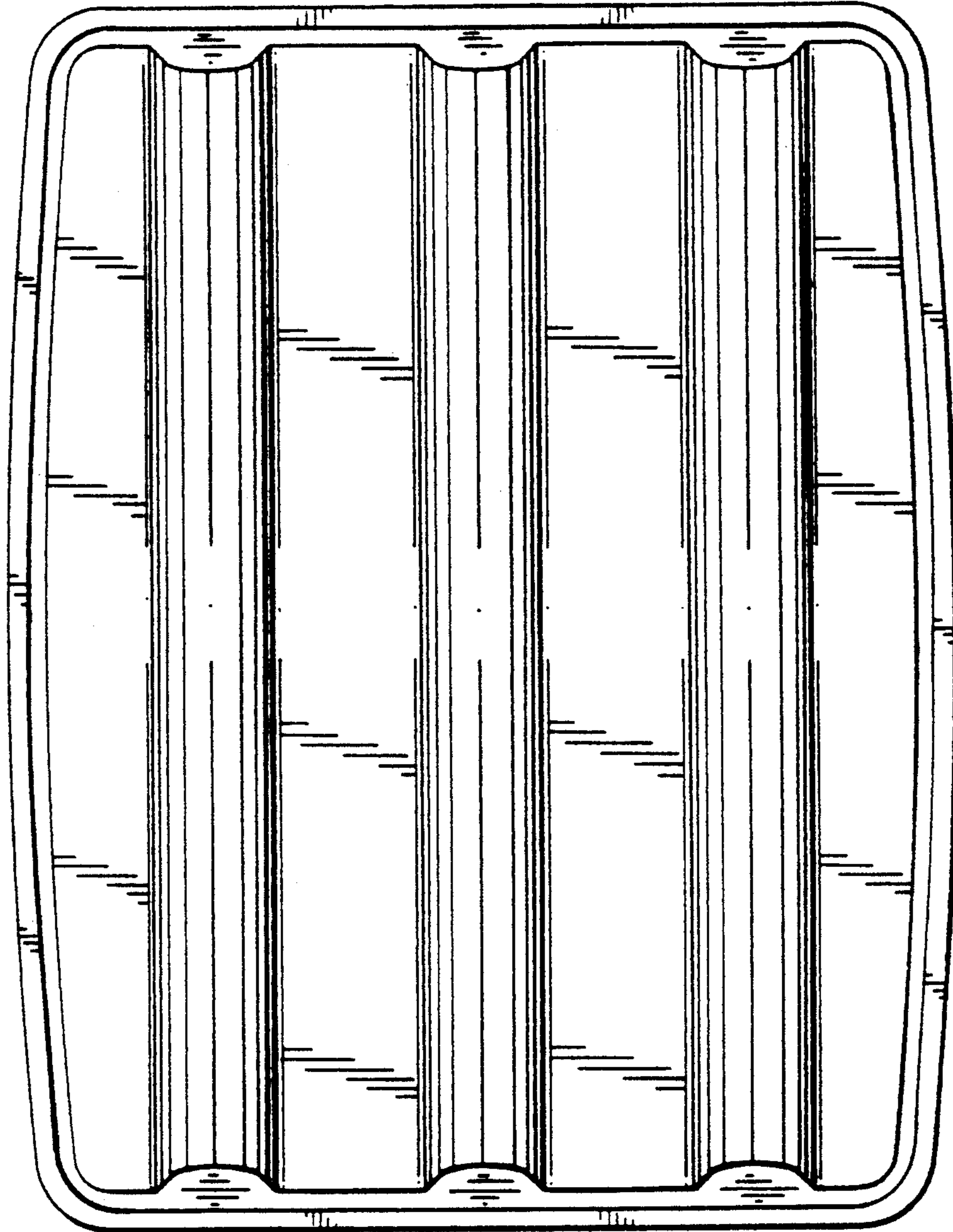


FIG. 3

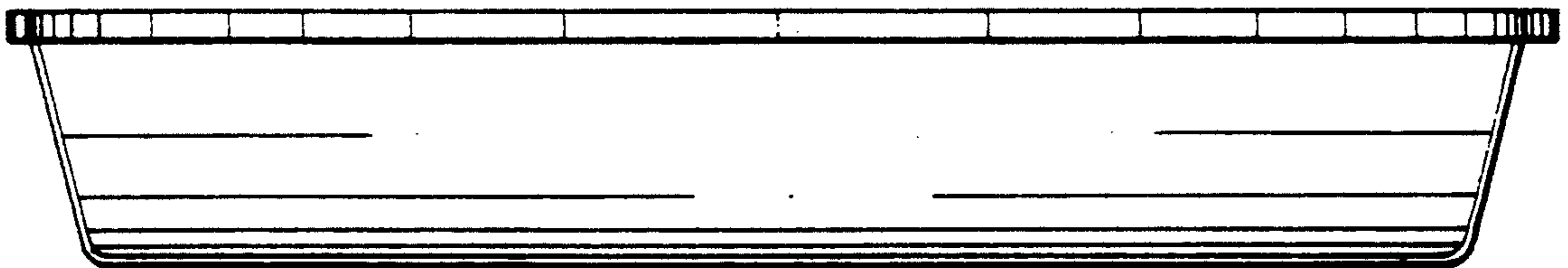


FIG. 4

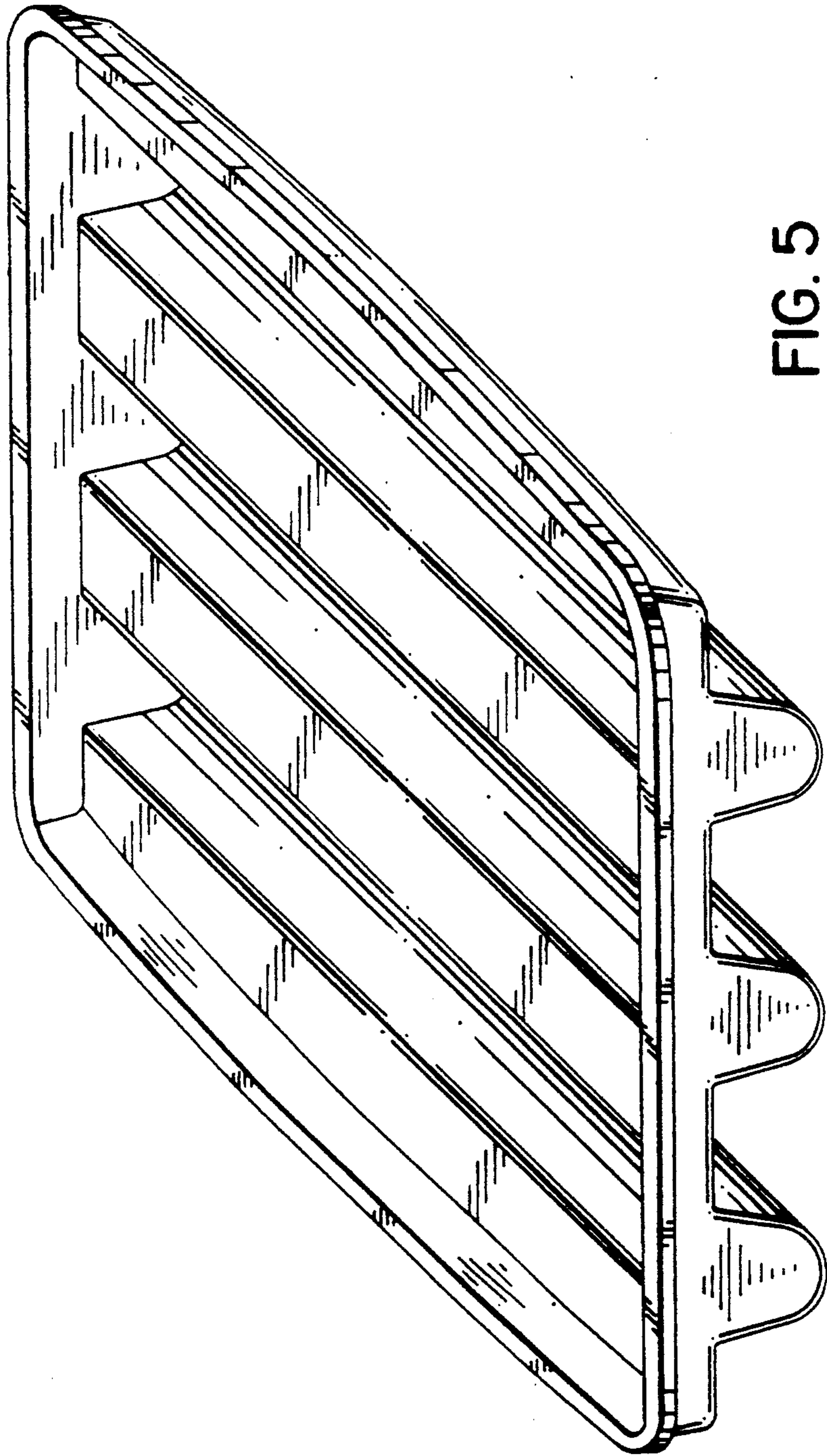


FIG. 5