



US00D336402S

United States Patent [19]
Del Fresno

[11] **Patent Number: Des. 336,402**
[45] **Date of Patent: ** Jun. 15, 1993**

[54] **ELECTRONIC TOASTER**

[56] **References Cited**

[75] **Inventor: Miguel L. Del Fresno, San Sebastian, Spain**

U.S. PATENT DOCUMENTS

- D. 209,361 11/1967 Sutton et al. D7/330
- D. 209,362 11/1967 Sutton et al. D7/330
- D. 244,341 5/1977 Hanson et al. D7/330
- D. 265,160 6/1982 Kelley D7/330
- D. 318,773 8/1991 Gebhardt D7/330

[73] **Assignee: Electrodomesticos Solac, S.A., Vitoria, Spain**

Primary Examiner—Alan P. Douglas
Assistant Examiner—Caron D. Veynar
Attorney, Agent, or Firm—Helfgott & Karas

[**] **Term: 14 Years**

[57] **CLAIM**

[21] **Appl. No.: 709,761**

The ornamental design for an electronic toaster, as shown.

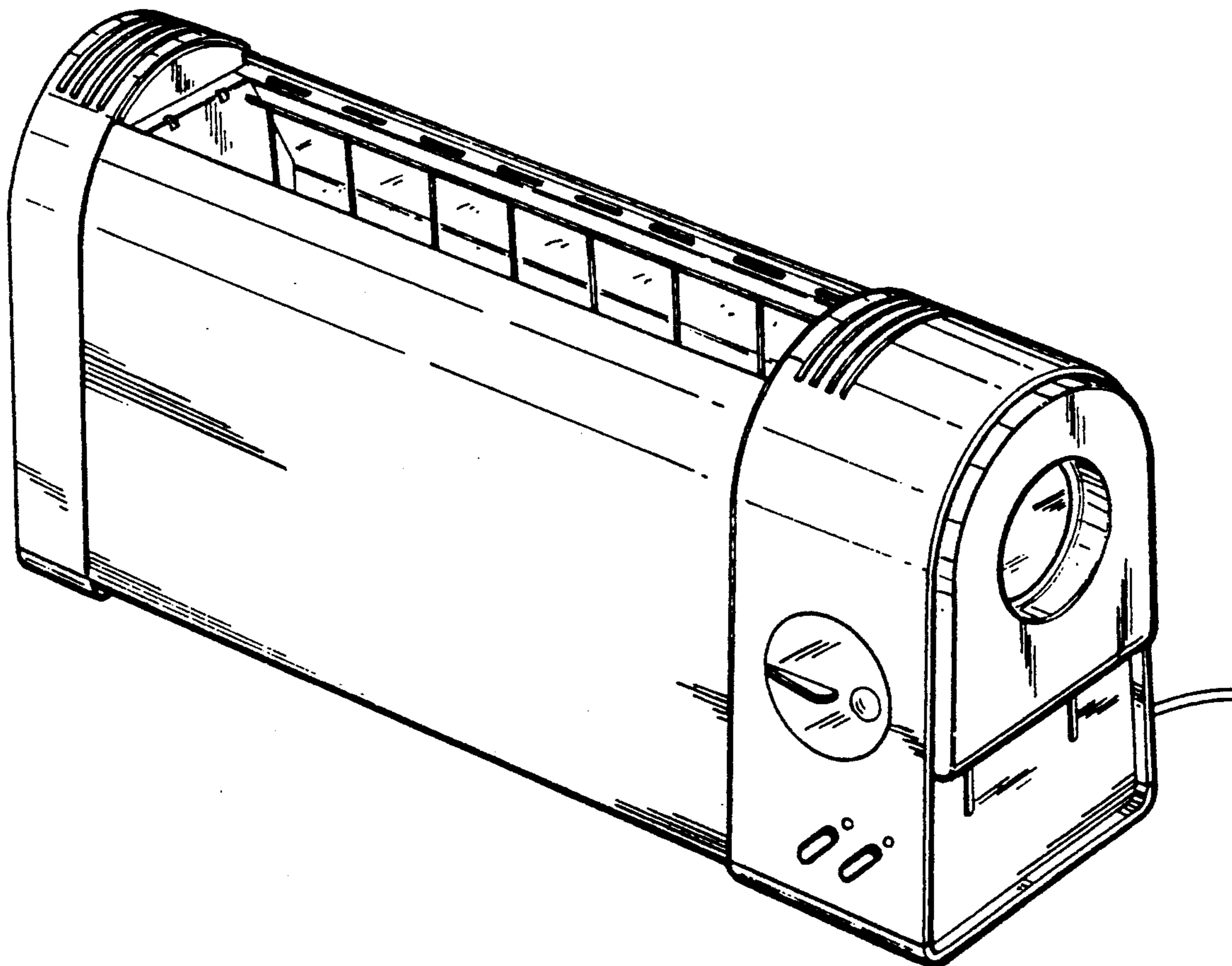
[22] **Filed: Jun. 3, 1991**

DESCRIPTION

[30] **Foreign Application Priority Data**

- Jan. 14, 1991 [ES] Spain 123.908
- [52] **U.S. Cl.** **D7/330; D7/328**
- [58] **Field of Search** **D7/323, 328-330; 99/372, 385, 389**

FIG. 1 is a perspective view;
FIG. 2 is a bottom view thereof;
FIG. 3 is a front view thereof;
FIG. 4 is a top view thereof;
FIG. 5 is a rear view thereof;
FIG. 6 is a left side view thereof; and,
FIG. 7 is a right side view thereof.



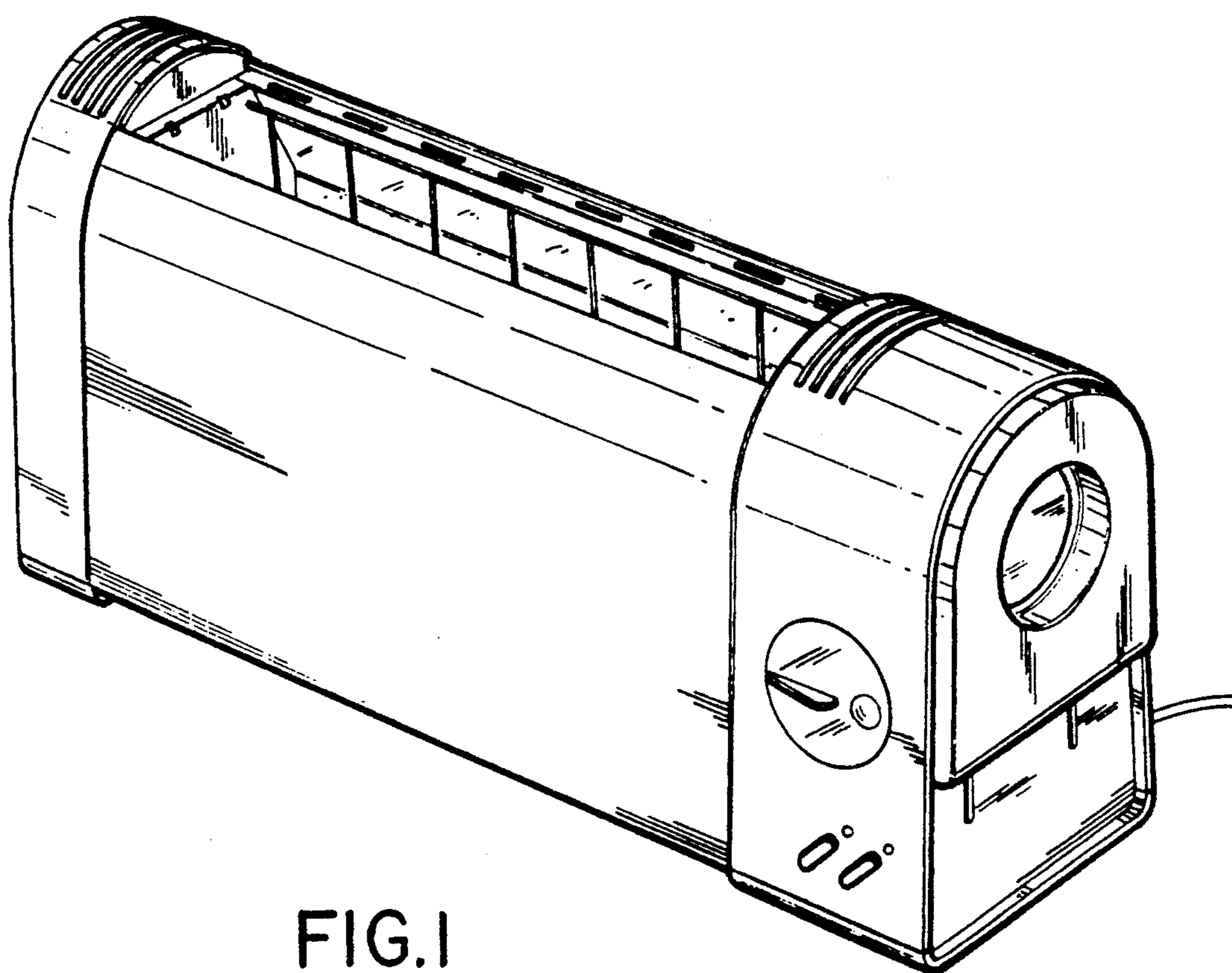


FIG.1

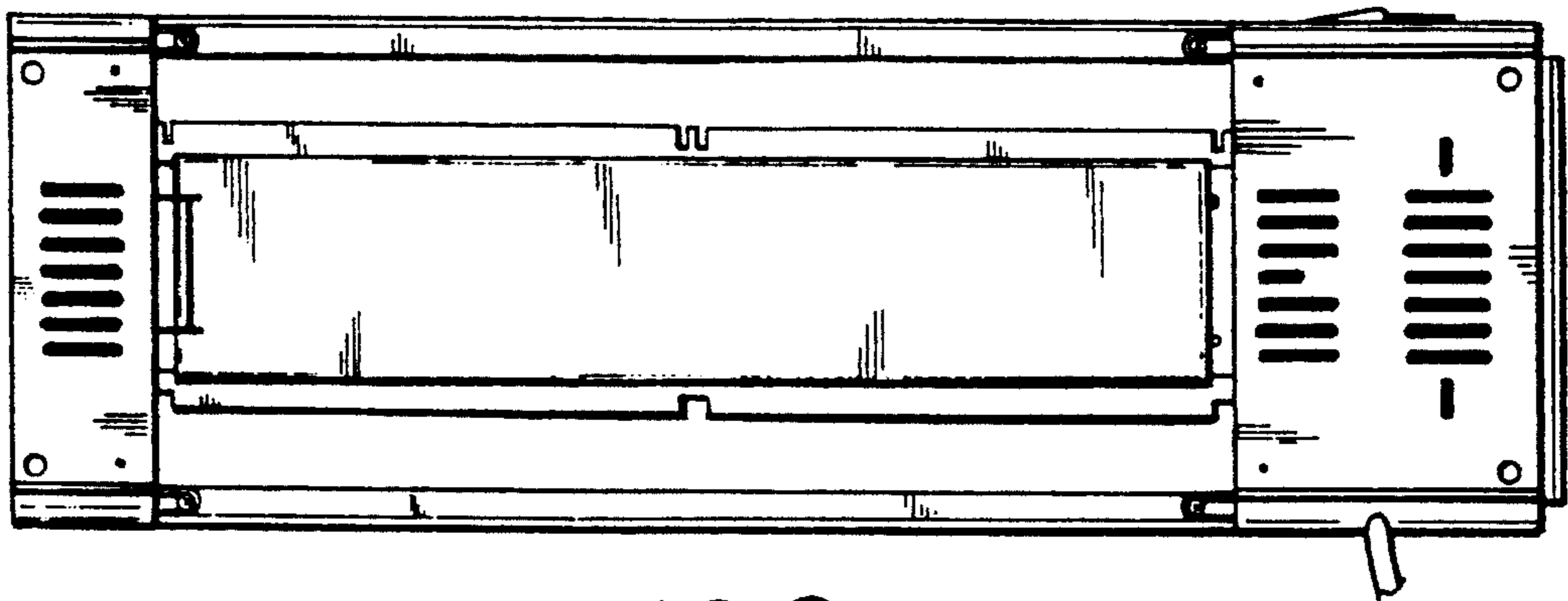


FIG. 2

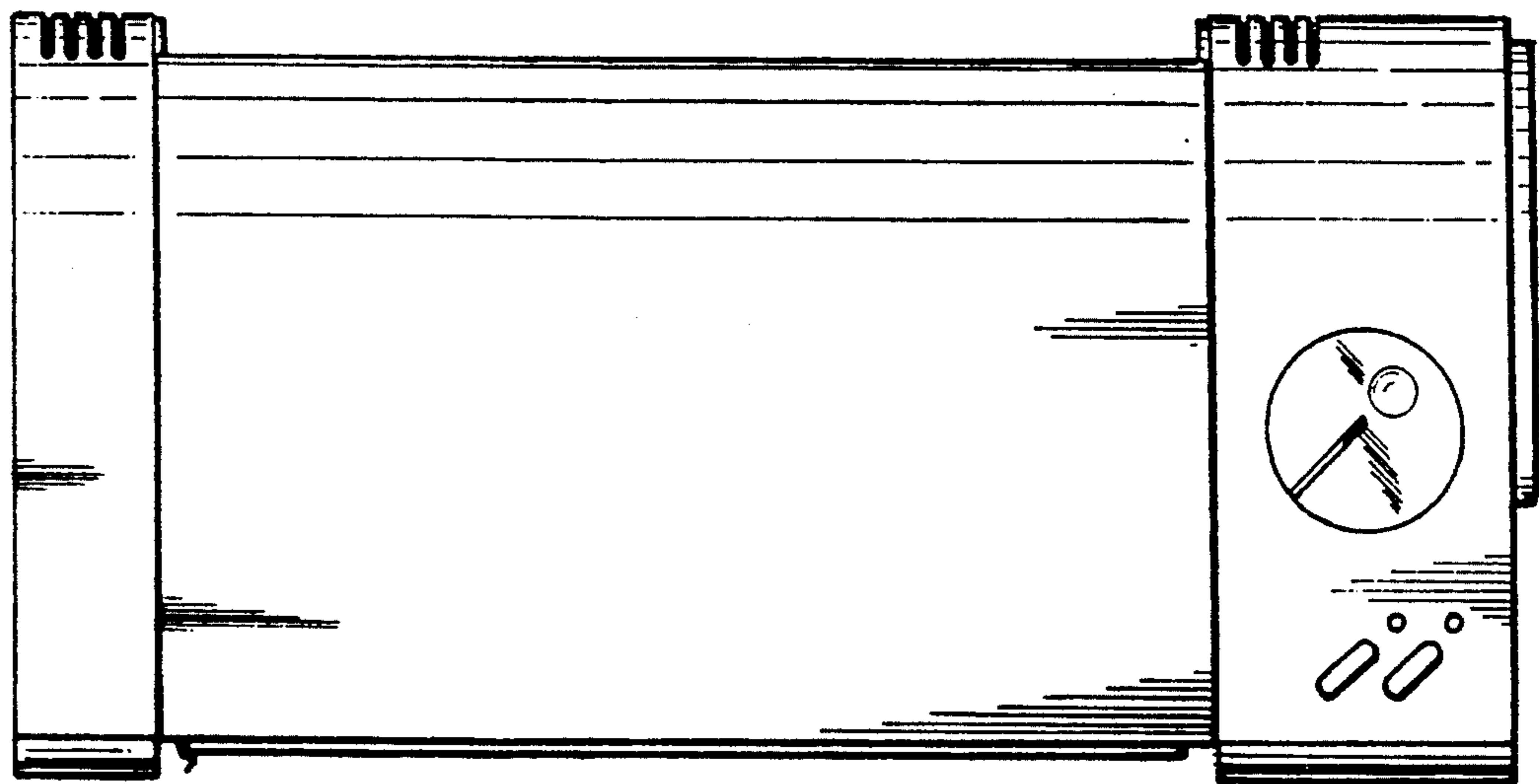


FIG. 3

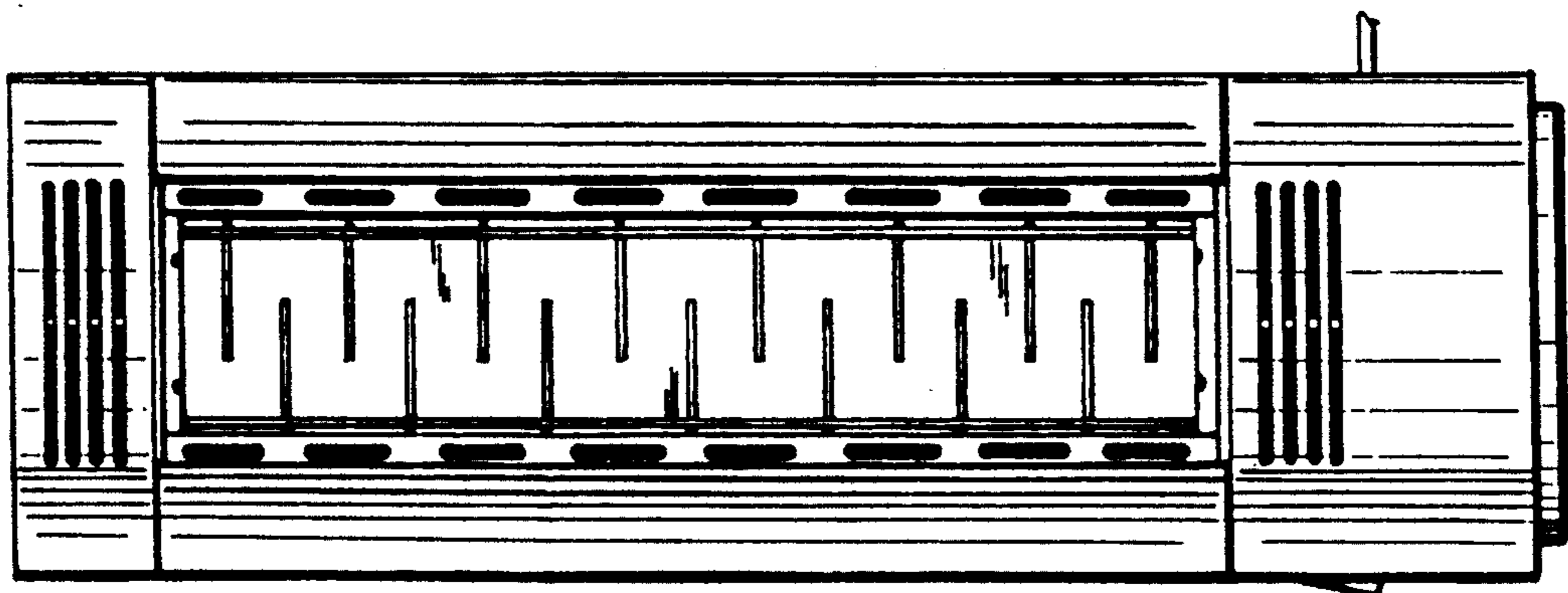


FIG. 4

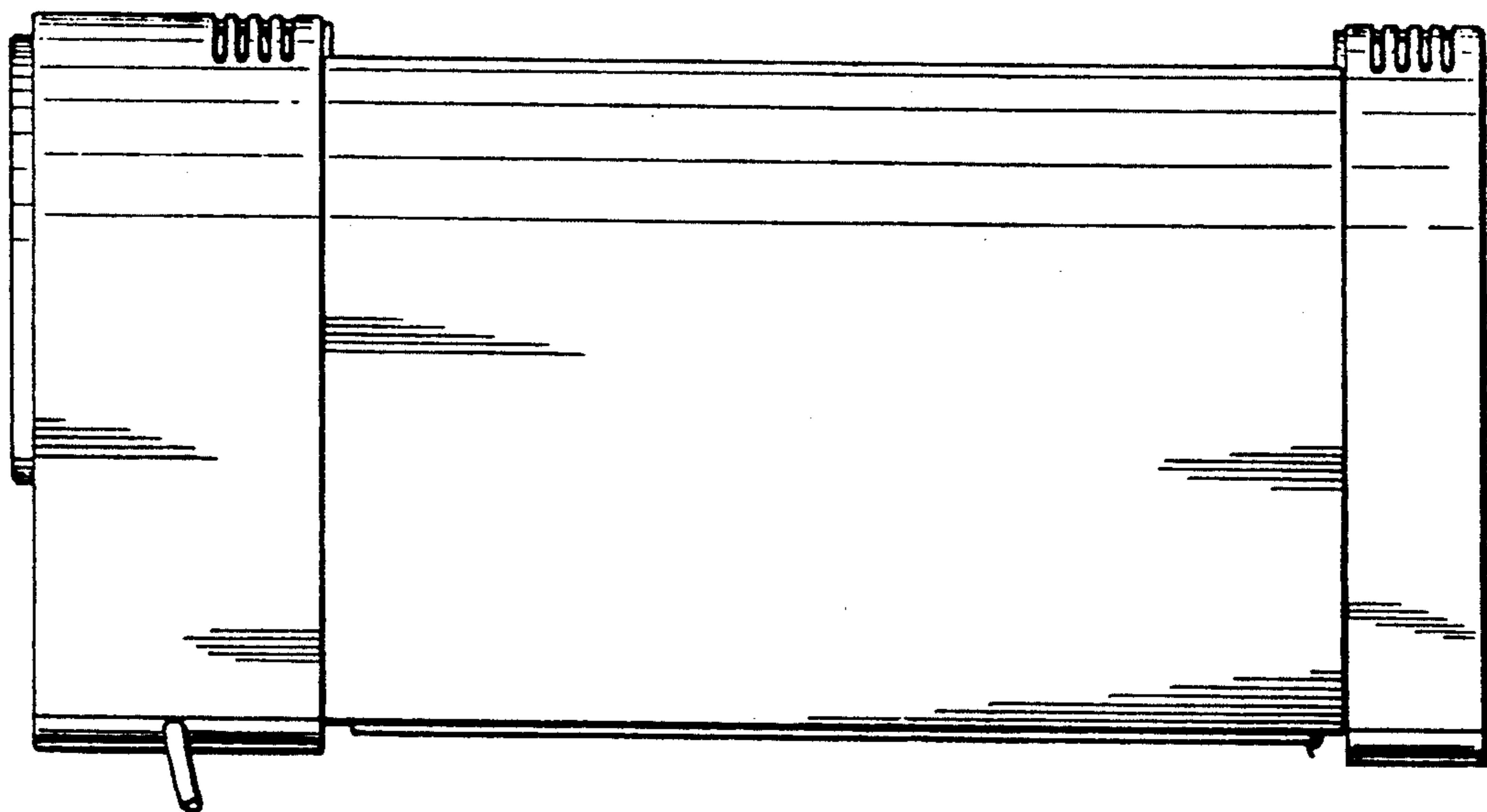


FIG. 5

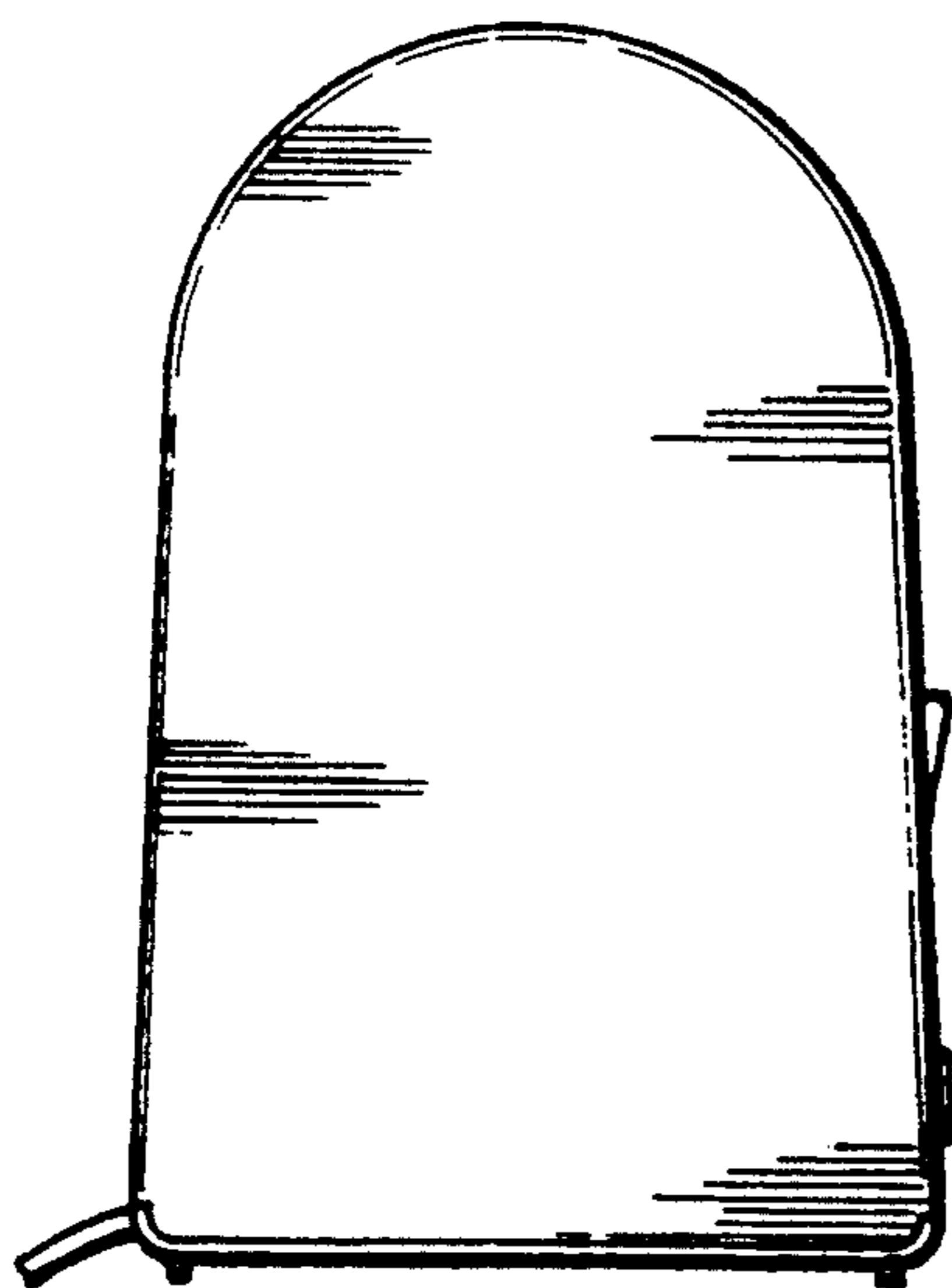


FIG. 6

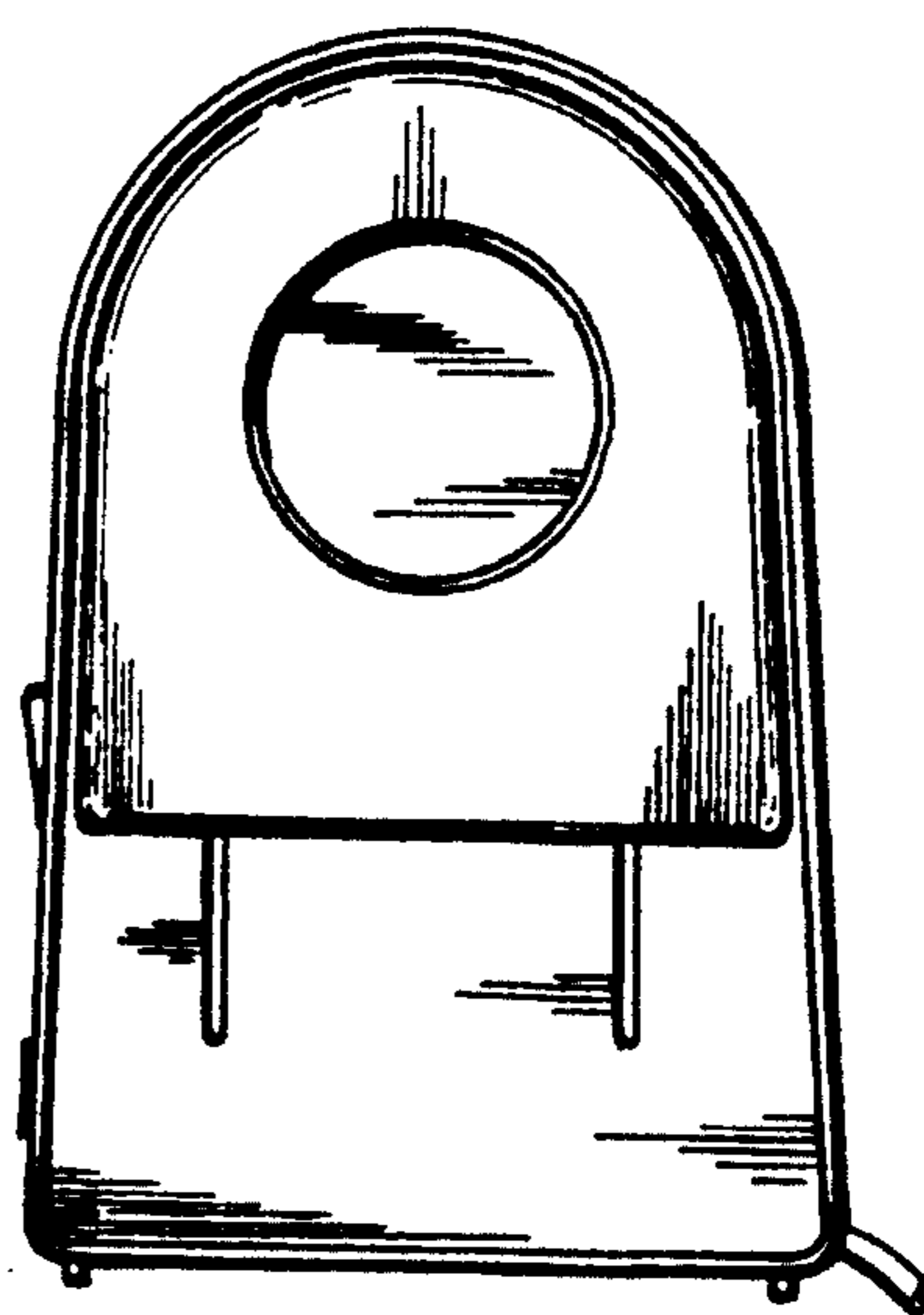


FIG. 7