



US00D336395S

United States Patent [19]

[11] Patent Number: **Des. 336,395**

Sulzer

[45] Date of Patent: **** Jun. 15, 1993**

[54] **CHAIR BASE**

4,712,758 12/1987 Cuschera 248/188.7
4,998,699 3/1991 Butler D6/498 X

[75] Inventor: **James H. Sulzer**, Cedarburg, Wis.

Primary Examiner—Nelson C. Holtje
Assistant Examiner—J. E. Seeger
Attorney, Agent, or Firm—Wood, Herron & Evans

[73] Assignee: **Leggett & Platt, Incorporated**,
Carghage, Mo.

[**] Term: **14 Years**

[57] **CLAIM**

[21] Appl. No.: **731,913**

The ornamental design for a chair base design, as shown and described.

[22] Filed: **Jul. 18, 1991**

[52] U.S. Cl. **D6/498**

[58] Field of Search **D6/491, 495, 498, 499,**
D6/366; 248/188.7

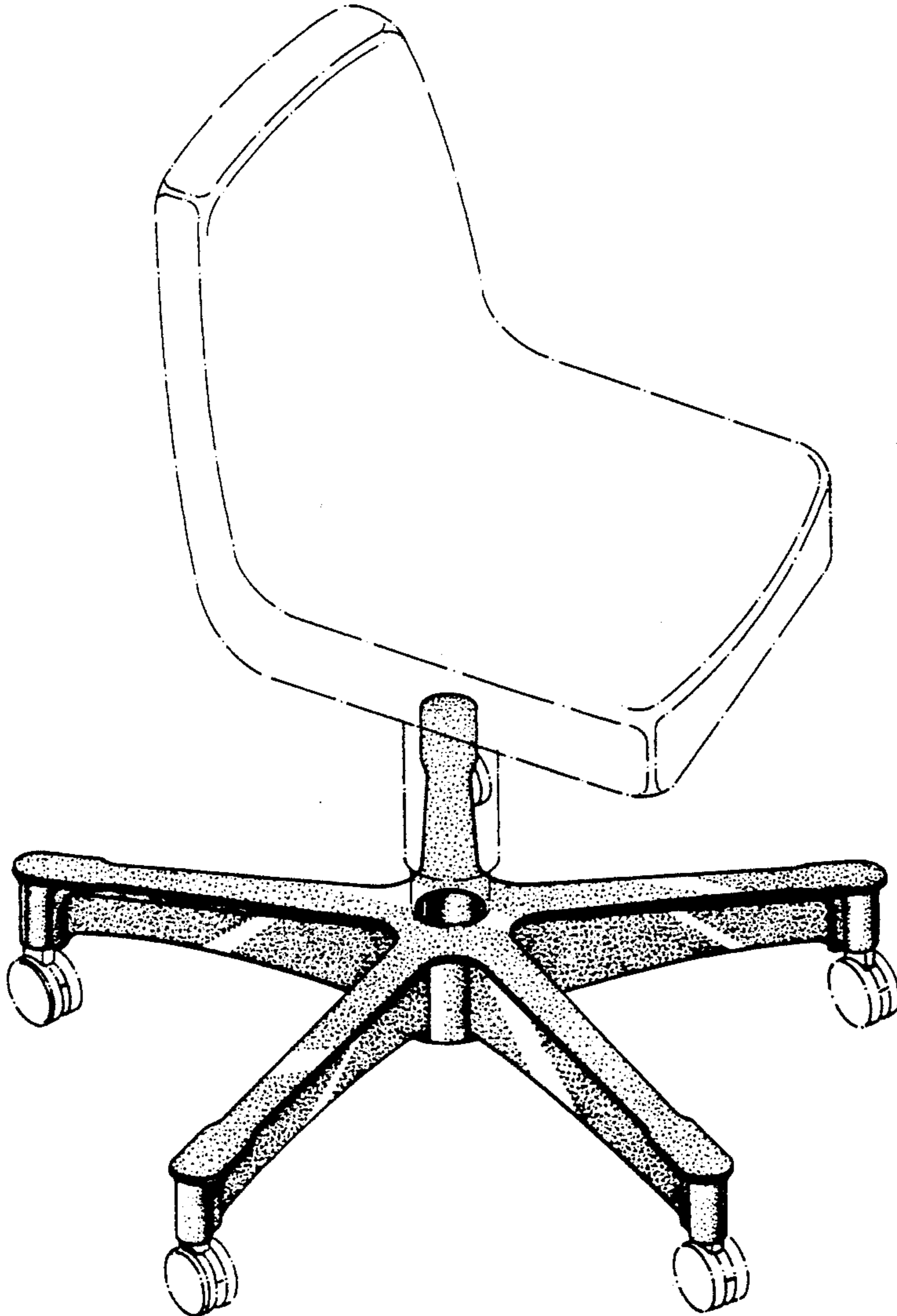
DESCRIPTION

FIG. 1 is a perspective view of a chair base, showing my new design, the broken lines are for environmental purposes only and form no part of the claimed design; FIG. 2 is a front elevational view thereof, the opposite end being a mirror image thereof; FIG. 3 is a side elevational view thereof; FIG. 4 is a top plan view thereof; FIG. 5 is a rear elevational view thereof; and, FIG. 6 is a bottom elevational view thereof.

[56] **References Cited**

U.S. PATENT DOCUMENTS

D. 182,642	4/1958	Burger	D6/498
D. 184,407	2/1939	McKinley	D6/498
D. 193,094	6/1962	Sullivan	D6/498
D. 264,643	6/1982	Pelly	D6/366



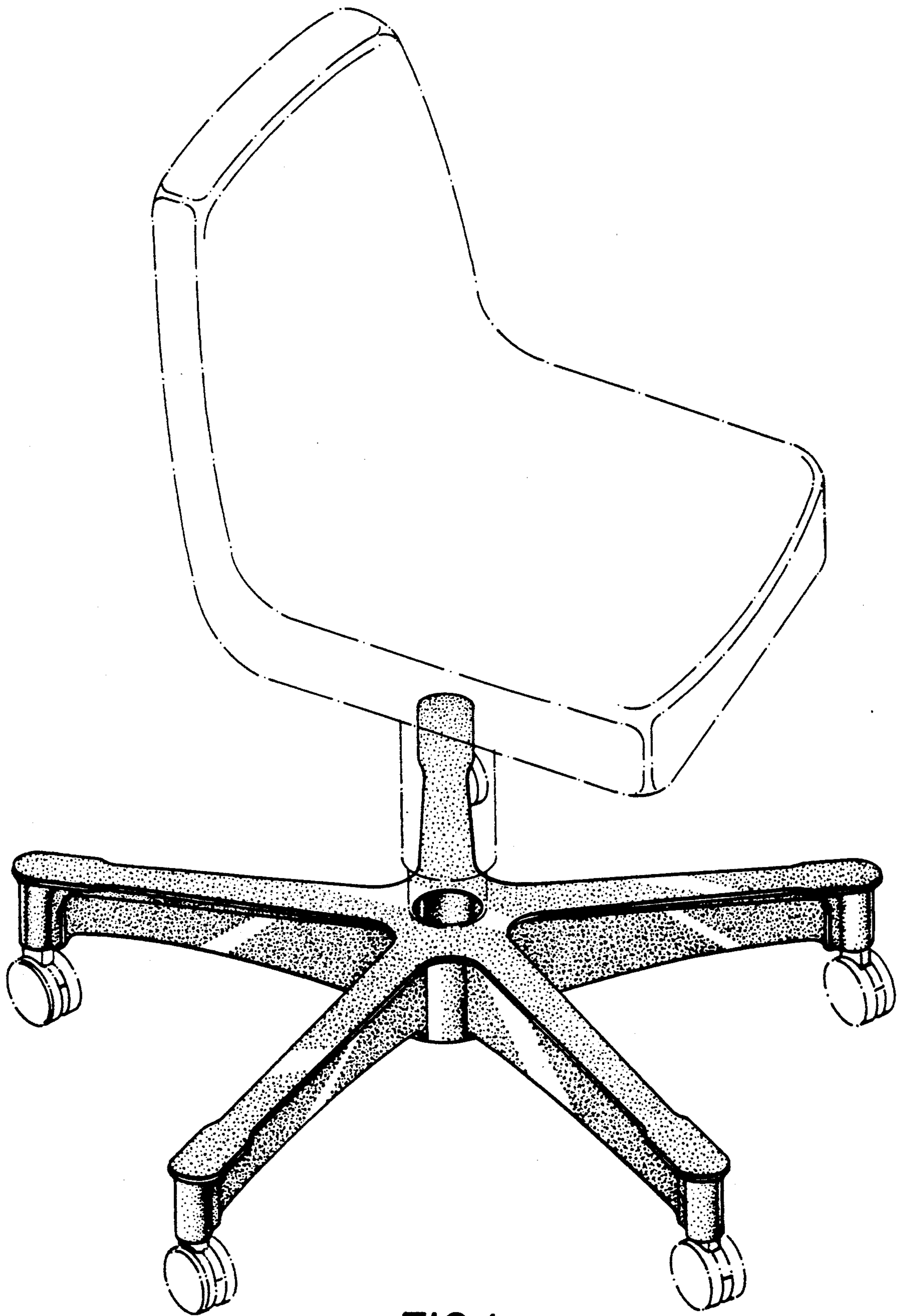


FIG. 1

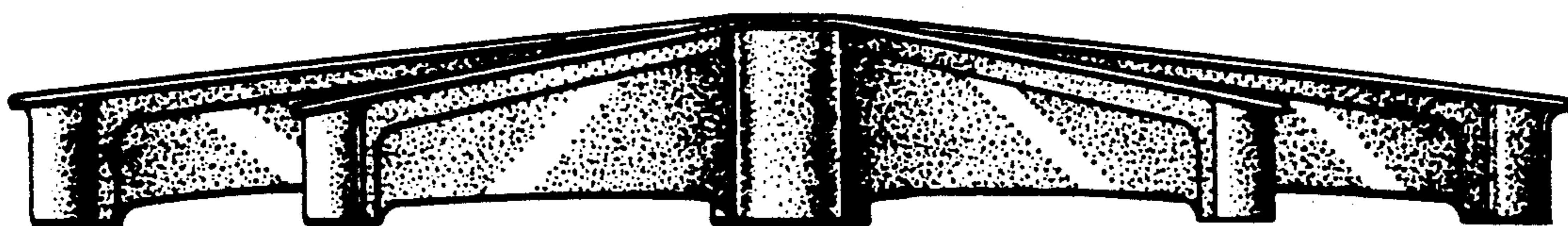


FIG. 2

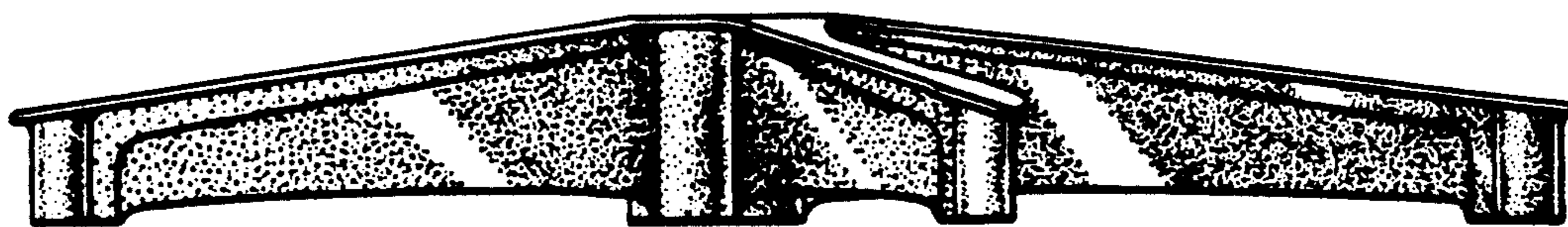


FIG. 3

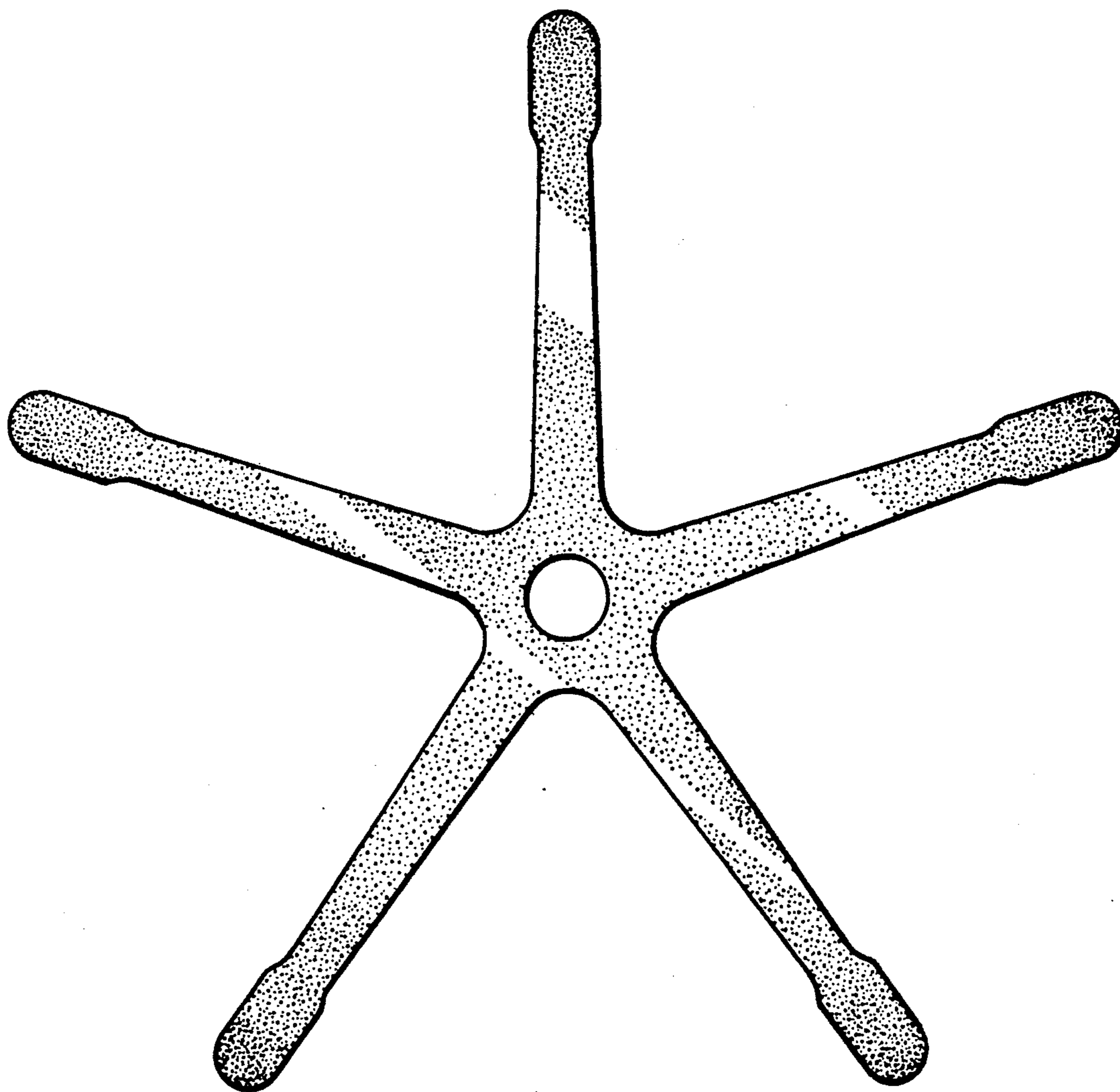


FIG. 4

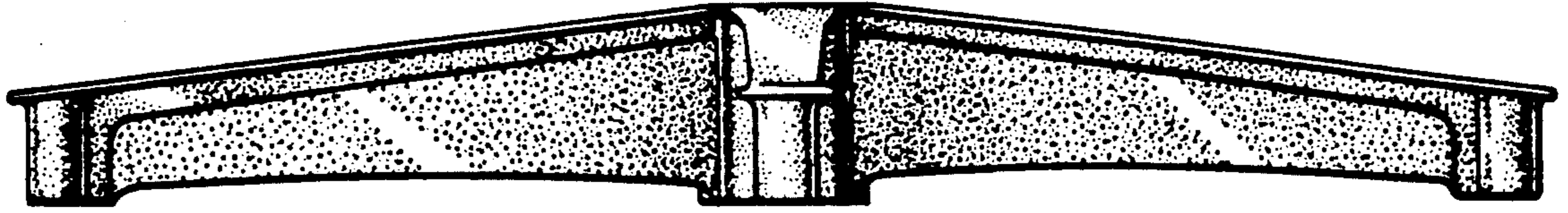


FIG. 5

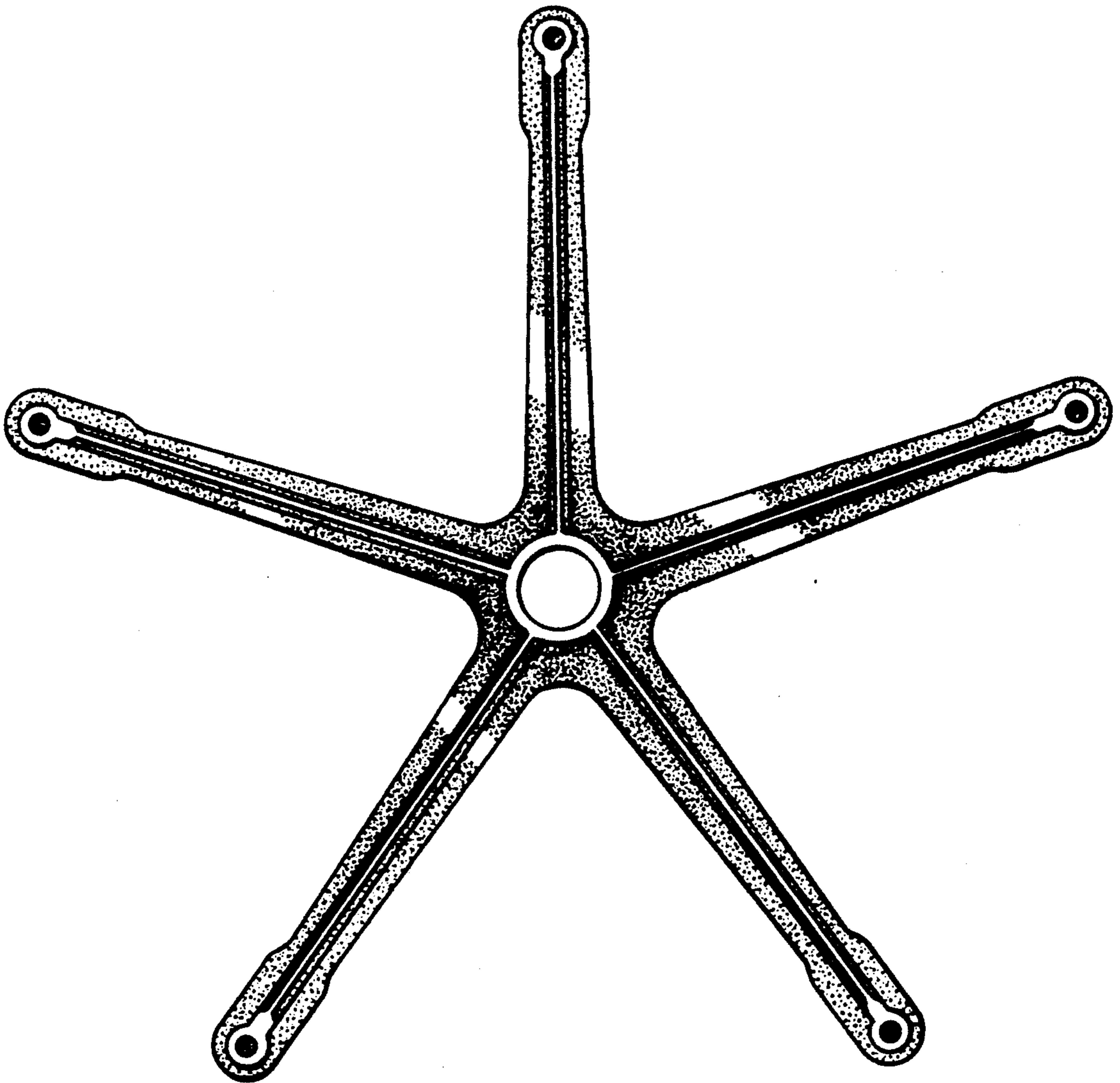


FIG. 6