



US00D336394S

United States Patent [19] Ball

[11] Patent Number: **Des. 336,394**

[45] Date of Patent: **** Jun. 15, 1993**

[54] **TABLE**

[75] Inventor: **Douglas C. Ball**, Senneville, Canada

[73] Assignee: **Steelcase Inc.**, Grand Rapids, Mich.

[**] Term: **14 Years**

[21] Appl. No.: **575,995**

[22] Filed: **Aug. 31, 1990**

[52] U.S. Cl. **D6/487; D6/429; D6/483**

[58] Field of Search **D6/480, 482-489, D6/495-499, 455; 108/146, 115, 116, 121, 161**

[56] **References Cited**

U.S. PATENT DOCUMENTS

Re. 30,020	6/1979	Spencer	182/153
D. 234,735	4/1975	Podell	D6/480
D. 251,167	2/1979	Isles	D6/483
D. 295,474	5/1988	Uredat et al.	D6/484
628,712	7/1899	Hoshour	
1,939,459	12/1933	Murray	45/11
1,939,904	12/1933	Koopman	45/11
3,124,085	3/1964	Sanchez	108/115
3,166,029	1/1965	Acton	108/124

3,525,492	8/1970	Friedman	248/188.6
4,714,028	12/1987	Uredat et al.	D6/495 X

OTHER PUBLICATIONS

Schoner Wohnen, May 1988, p. 245, Table.
"Folding Tables:—Design by Hugh Acton" (5 pages) believed to be published in the 1970's.
"Lune D'Argent Series" (2 pages). Original publication date not definitely known, but does precede this application by over one year.

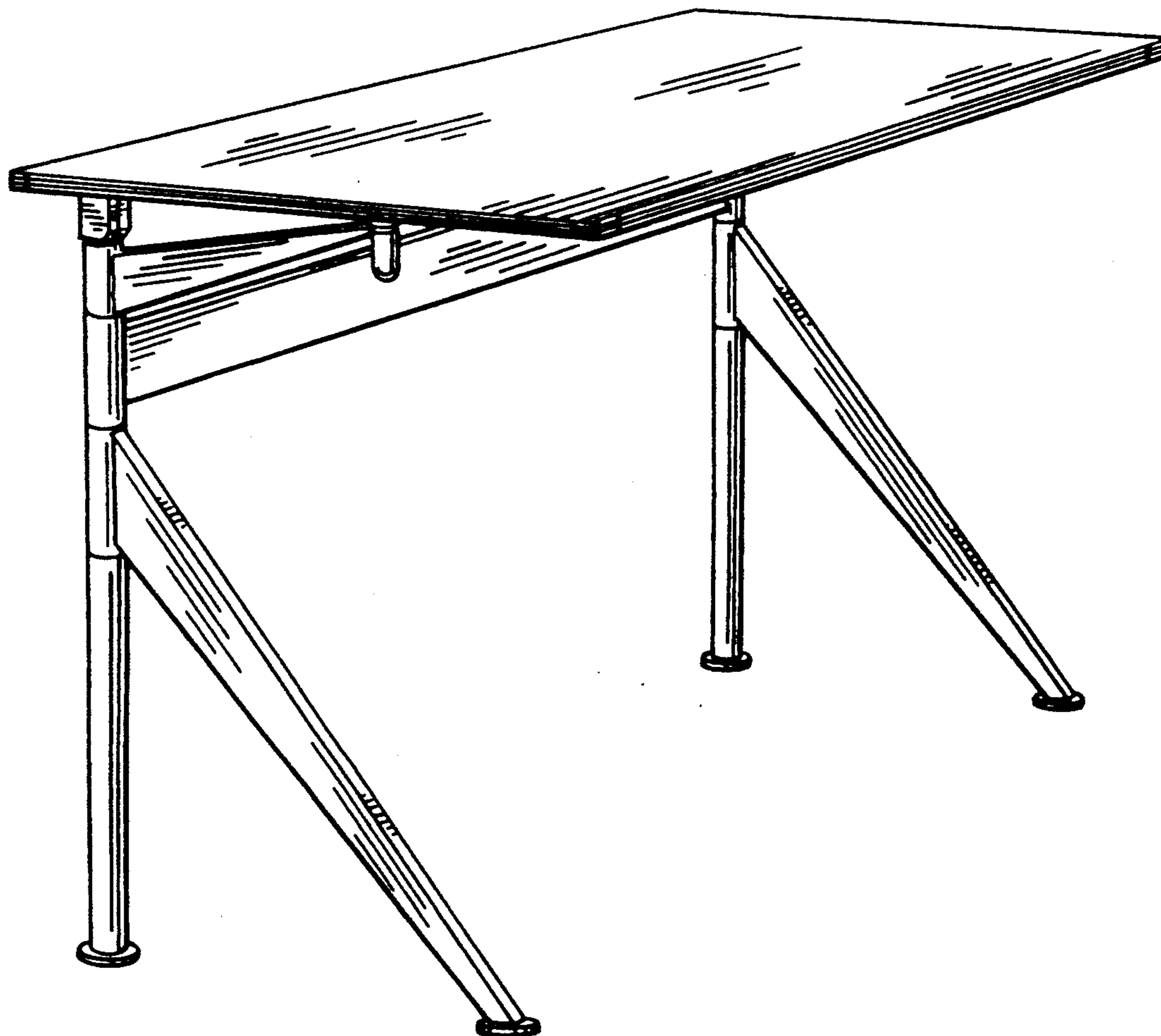
Primary Examiner—Nelson C. Holtje
Assistant Examiner—J. E. Seeger
Attorney, Agent, or Firm—Leydig, Voit & Mayer

[57] **CLAIM**

The ornamental design for a table, as shown and described.

DESCRIPTION

FIG. 1 is a perspective view of a table showing my new design;
FIG. 2 is a side elevational view;
FIG. 3 is a bottom plan view; and,
FIG. 4 is an end elevational view, the opposite end being identical thereto.



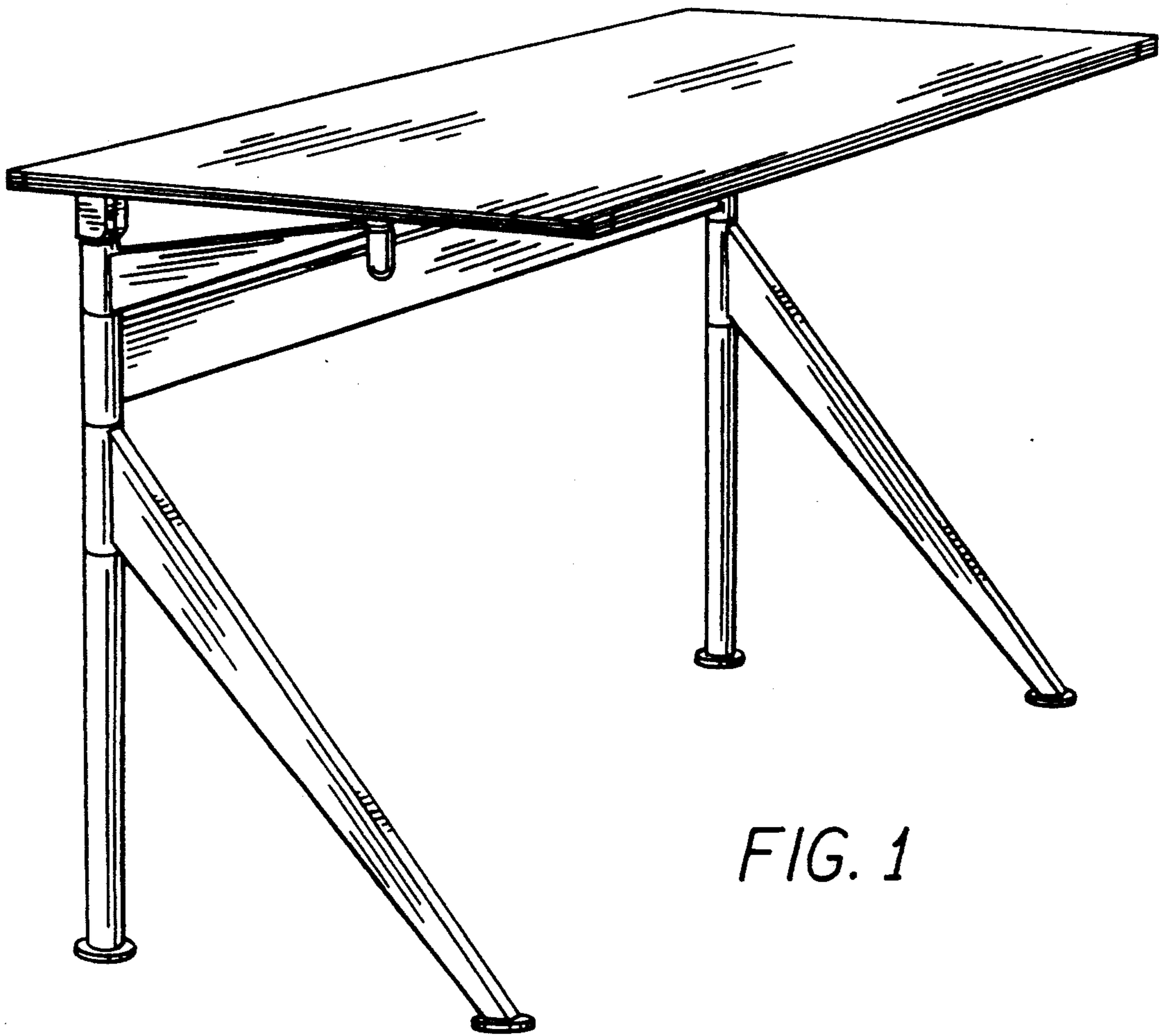


FIG. 1

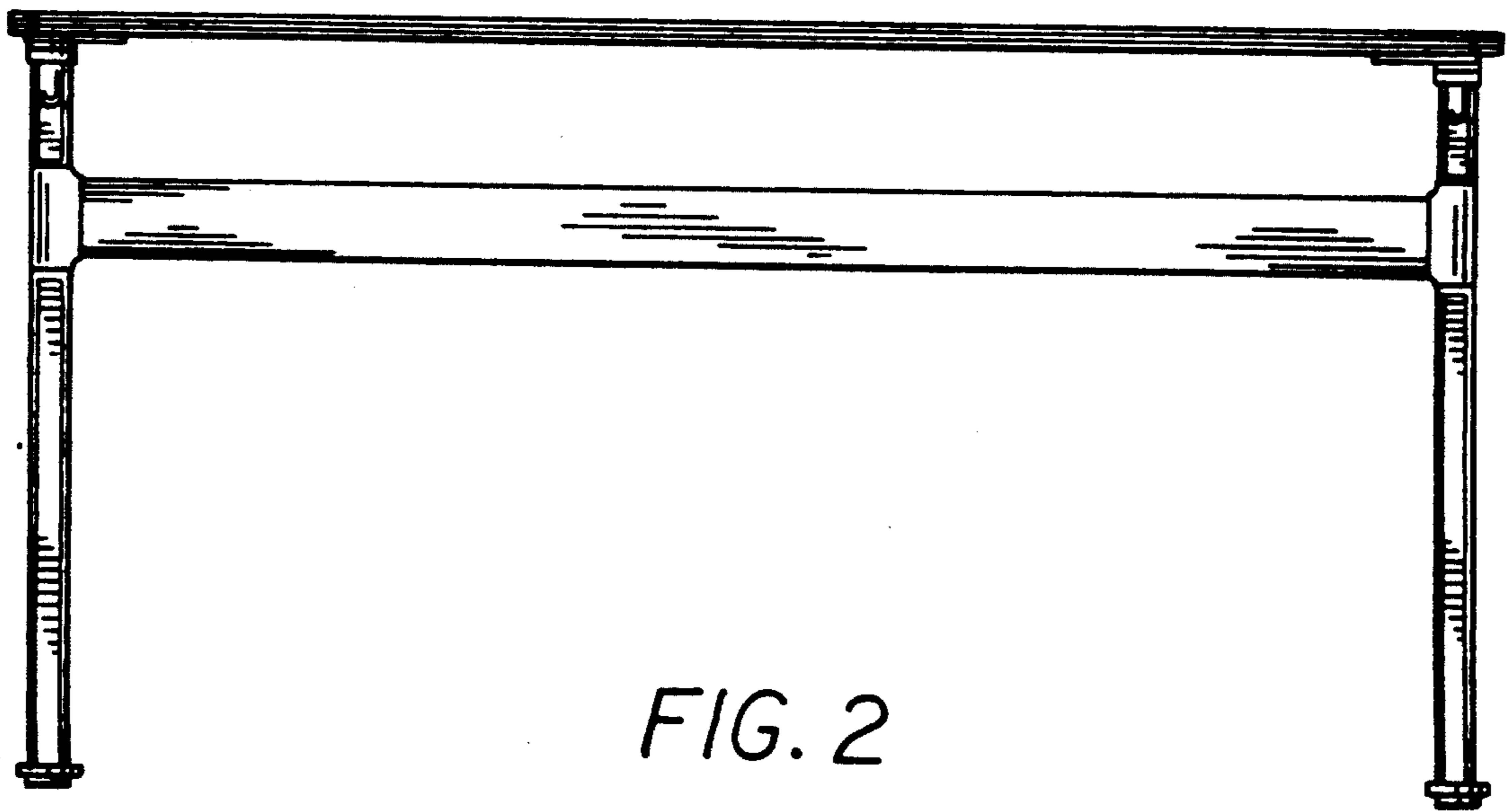


FIG. 2

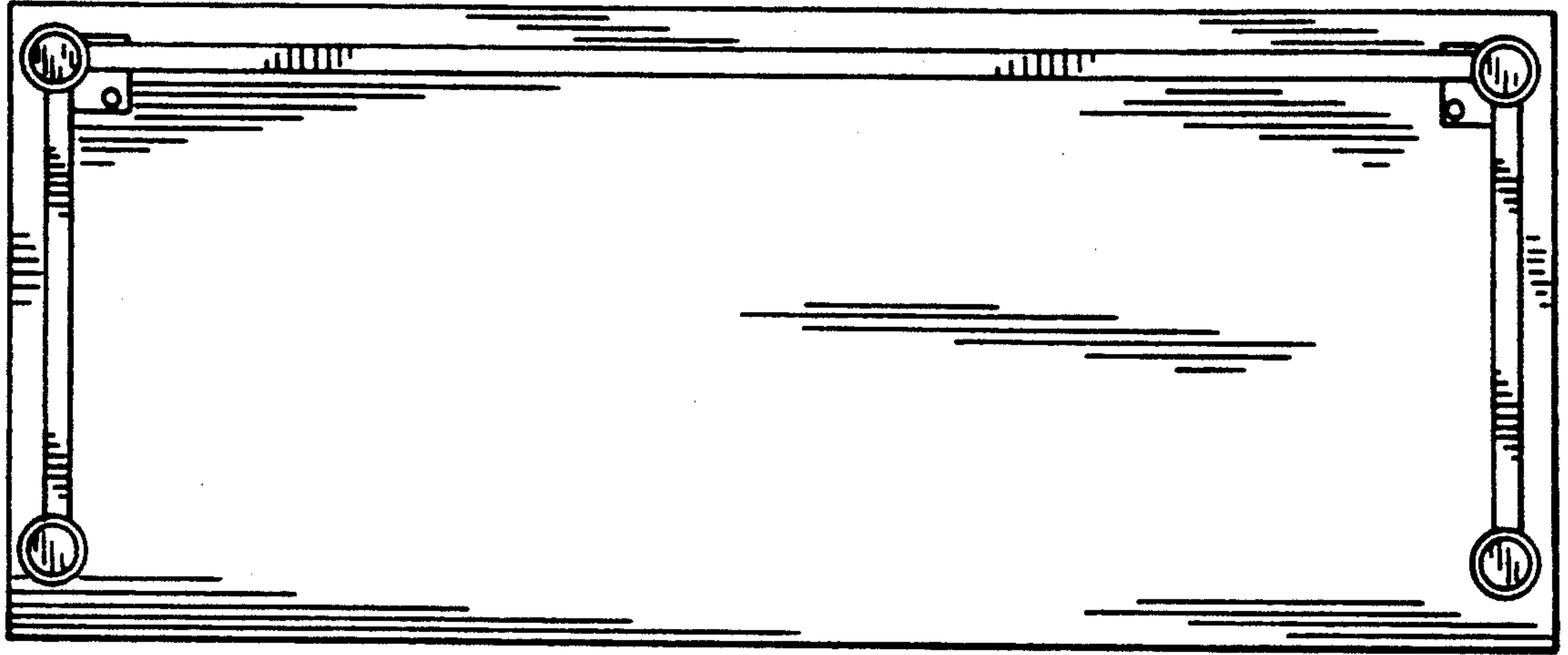


FIG. 3

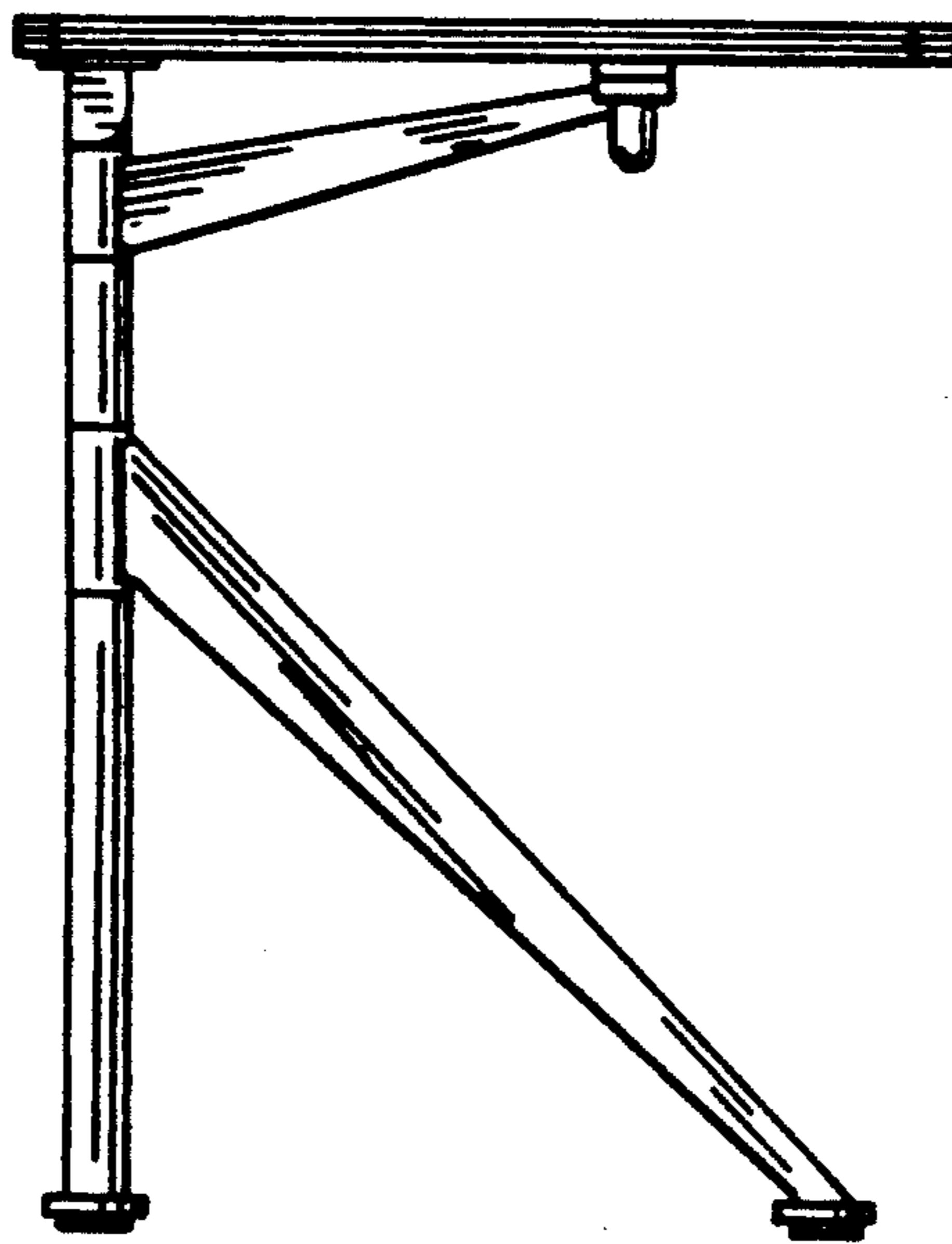


FIG. 4