



US00D336393S

United States Patent [19]

[11] Patent Number: **Des. 336,393**

Saotome

[45] Date of Patent: **** Jun. 15, 1993**

[54] TABLE

D. 330,299 10/1992 Saotome D6/484 X

[75] Inventor: **Hiroshi Saotome**, Machida, Japan

Primary Examiner—Nelson C. Holtje

[73] Assignee: **Okamura Corporation**, Yokohama, Japan

Assistant Examiner—J. E. Seeger

Attorney, Agent, or Firm—Poms, Smith, Lande & Rose

[**] Term: **14 Years**

[57] **CLAIM**

[21] Appl. No.: **703,137**

The ornamental design for table, as shown and described.

[22] Filed: **May 17, 1991**

DESCRIPTION

[30] **Foreign Application Priority Data**

Nov. 21, 1990 [JP] Japan 2-38760

FIG. 1 is a front perspective view of a table showing my new design;

[52] U.S. Cl. **D6/484**; D6/429

FIG. 2 is a back perspective view thereof;

[58] Field of Search D6/480-489,

FIG. 3 is a front view thereof;

D6/495-499, 429-430; 108/115, 137

FIG. 4 is a plan view thereof;

[56] **References Cited**

FIG. 5 is a back view thereof;

U.S. PATENT DOCUMENTS

D. 284,532 7/1986 Vogt D6/480 X

FIG. 6 is a bottom view thereof;

D. 314,105 1/1991 Vossoughi D6/484

FIG. 7 is a right side view thereof;

D. 319,157 8/1991 Frascaroli D6/484

FIG. 8 is a sectional view taken along the line VIII-VIII in FIG. 3;

D. 325,833 5/1992 Saotome D6/484

FIG. 9 is a sectional view taken along the line IX-IX in FIG. 3; and,

FIG. 10 is a right side view of the folded table.

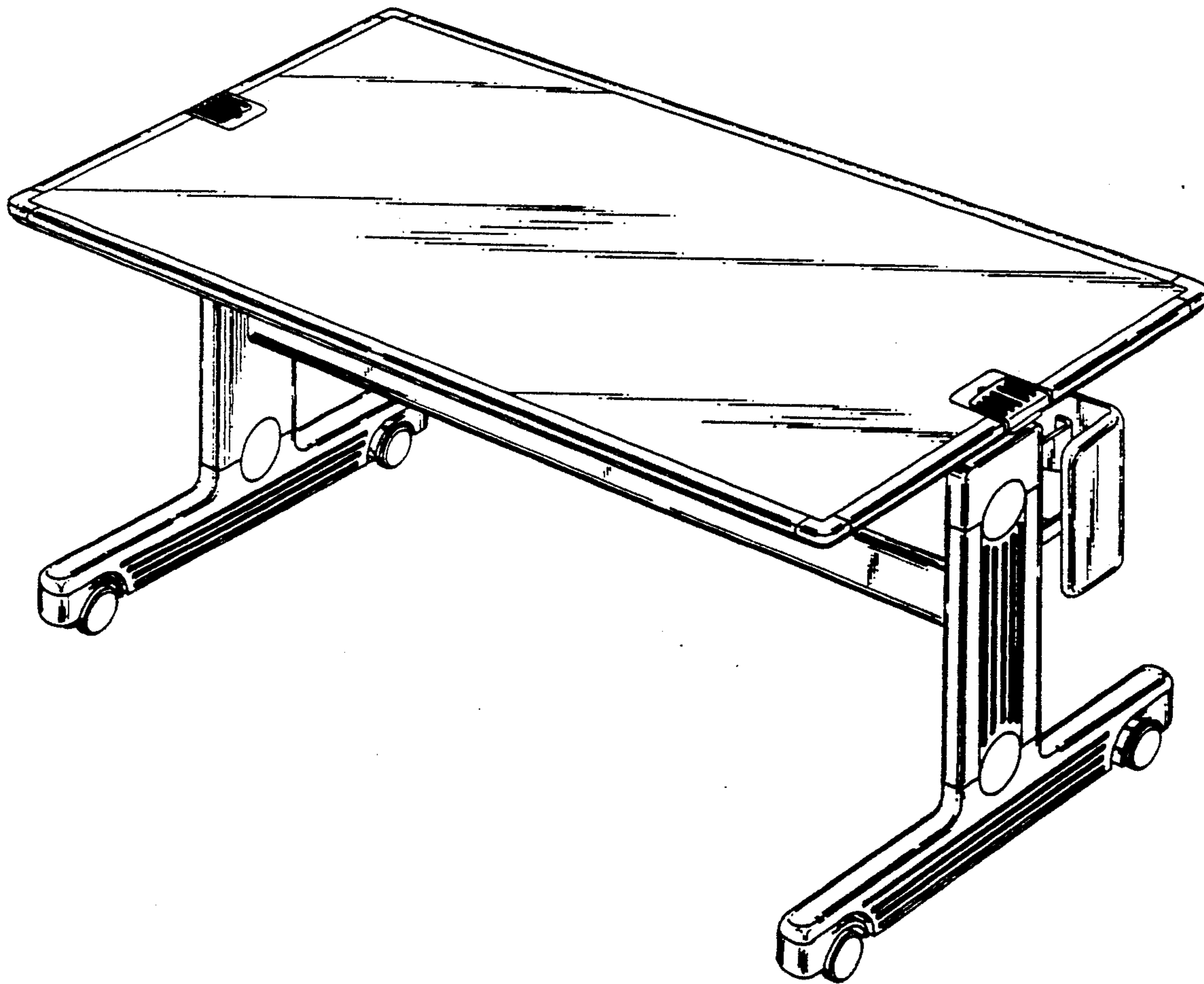


FIG. 1

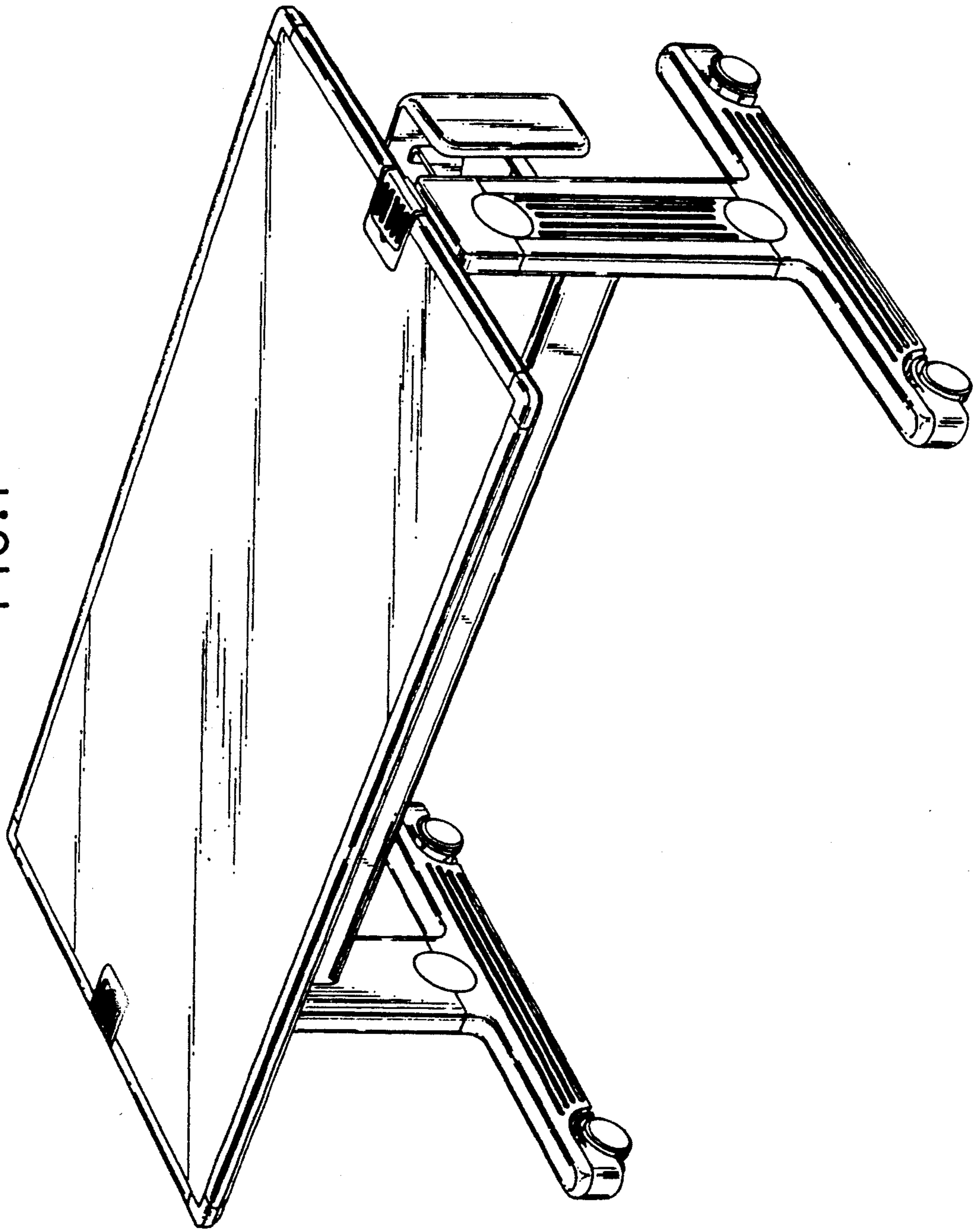


FIG. 2

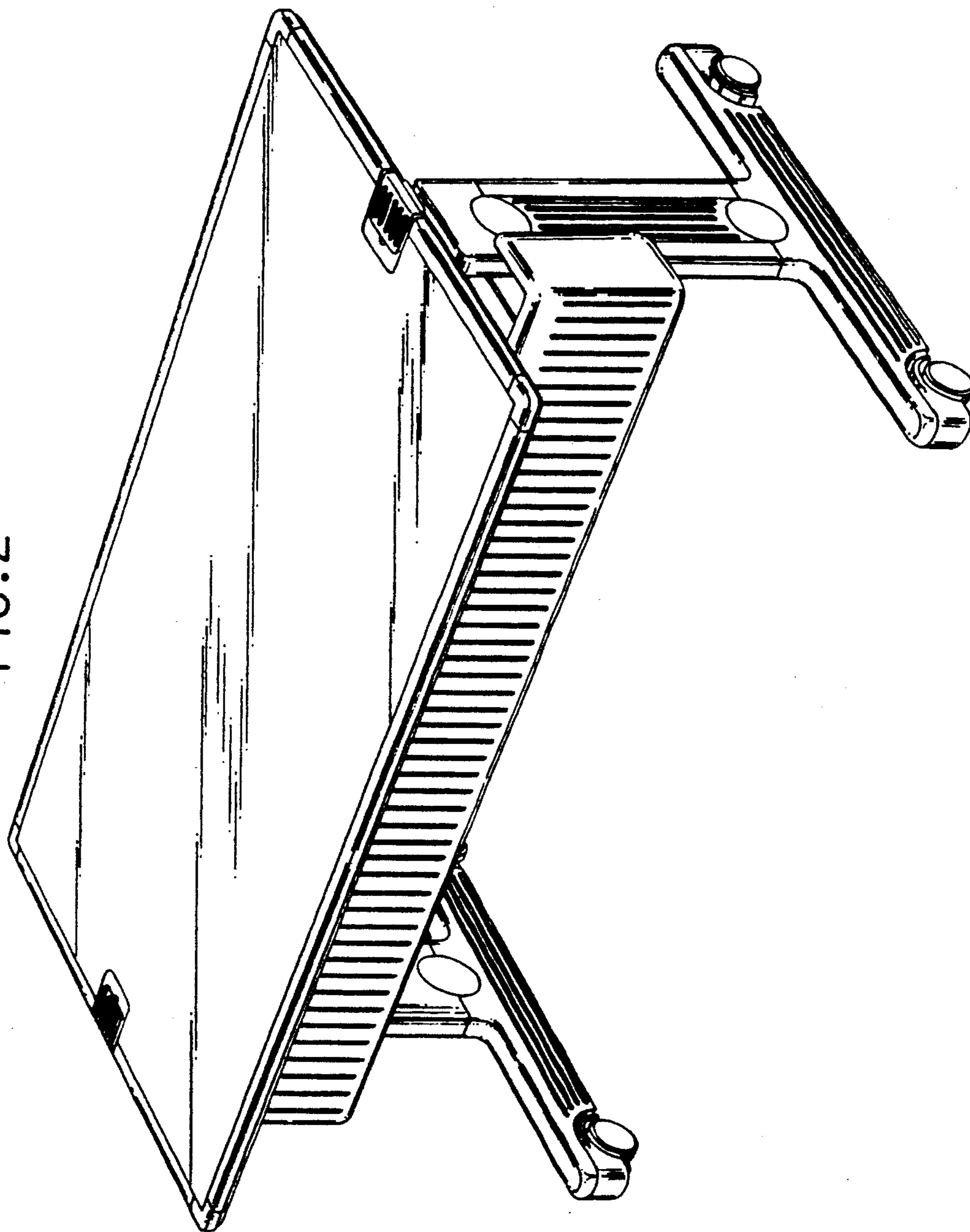
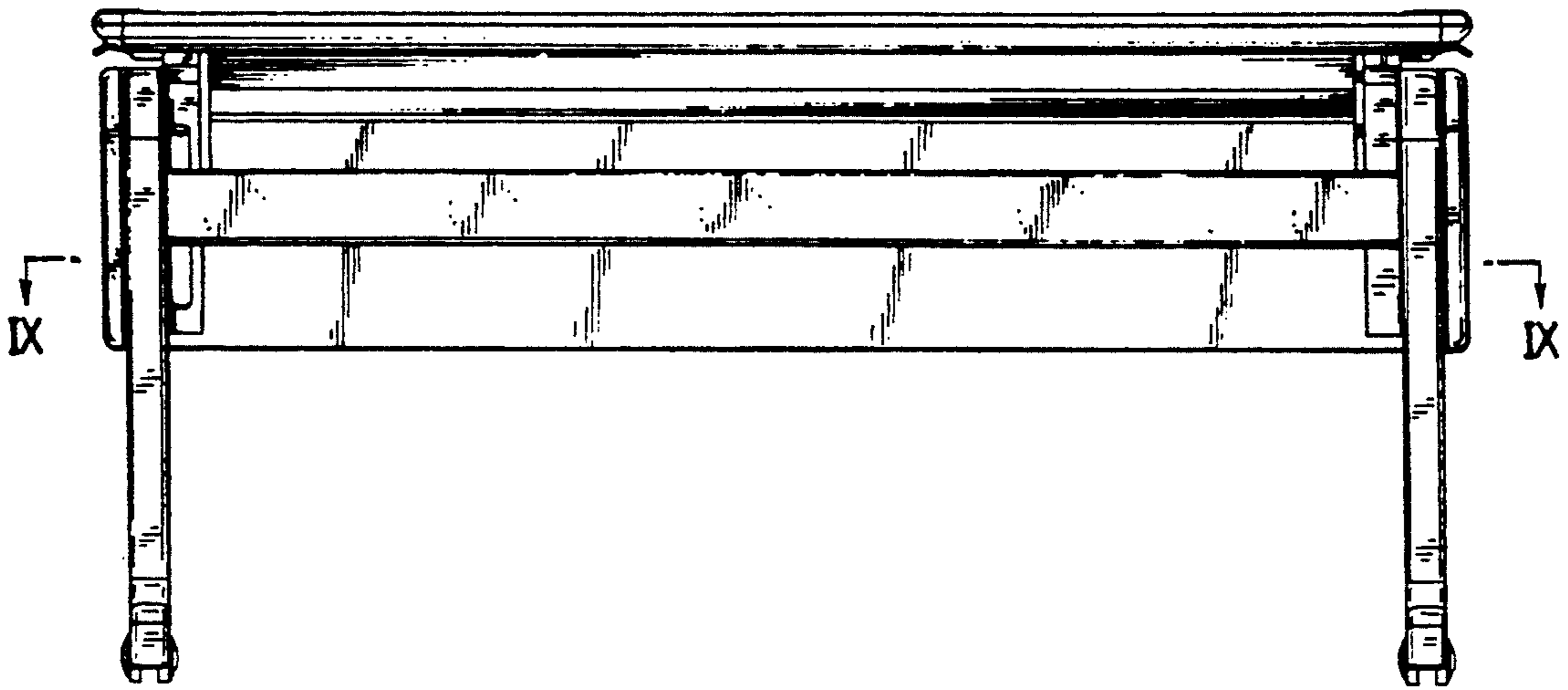


FIG. 3
VII ←



VII ←

FIG. 4

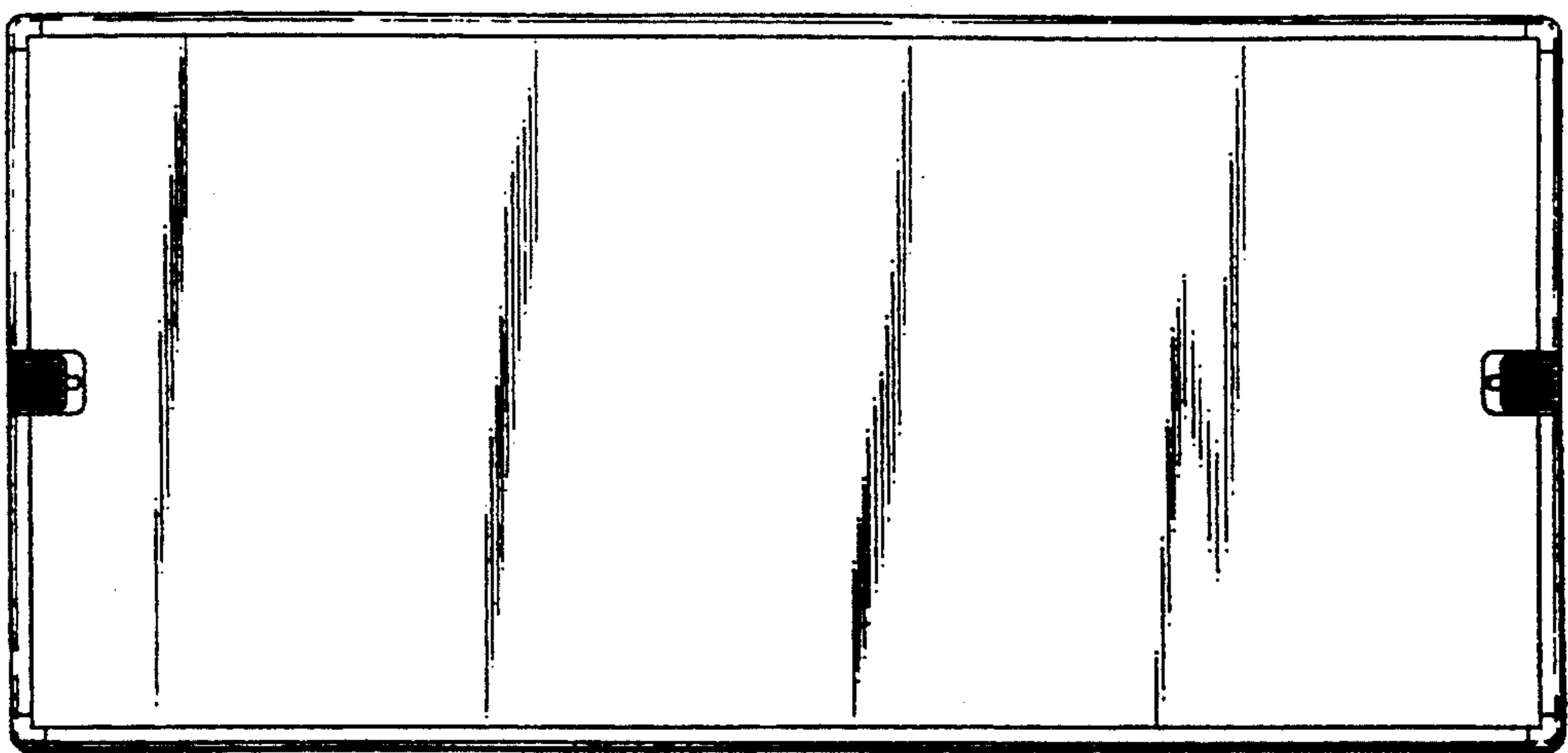


FIG. 5

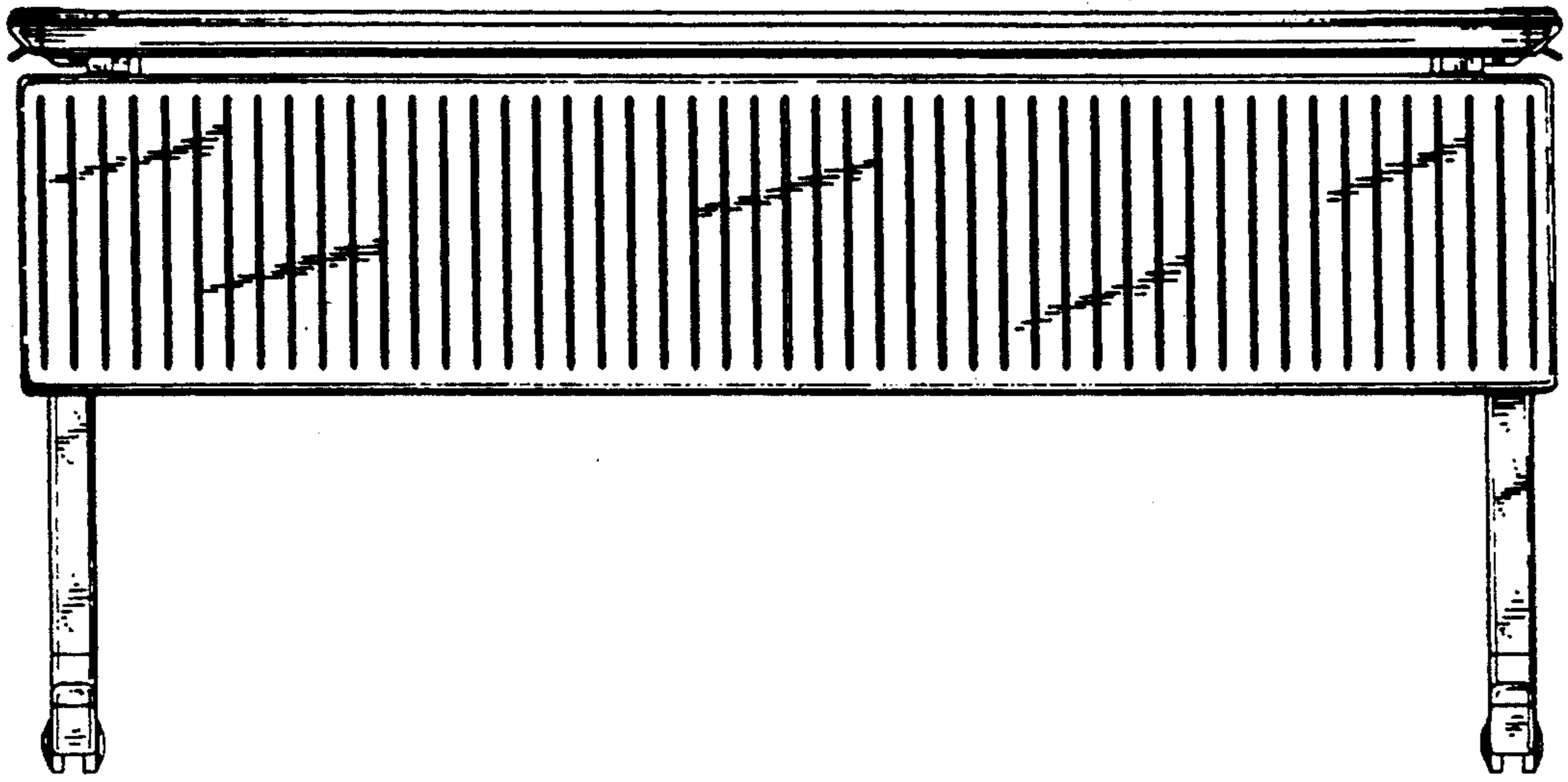


FIG. 6

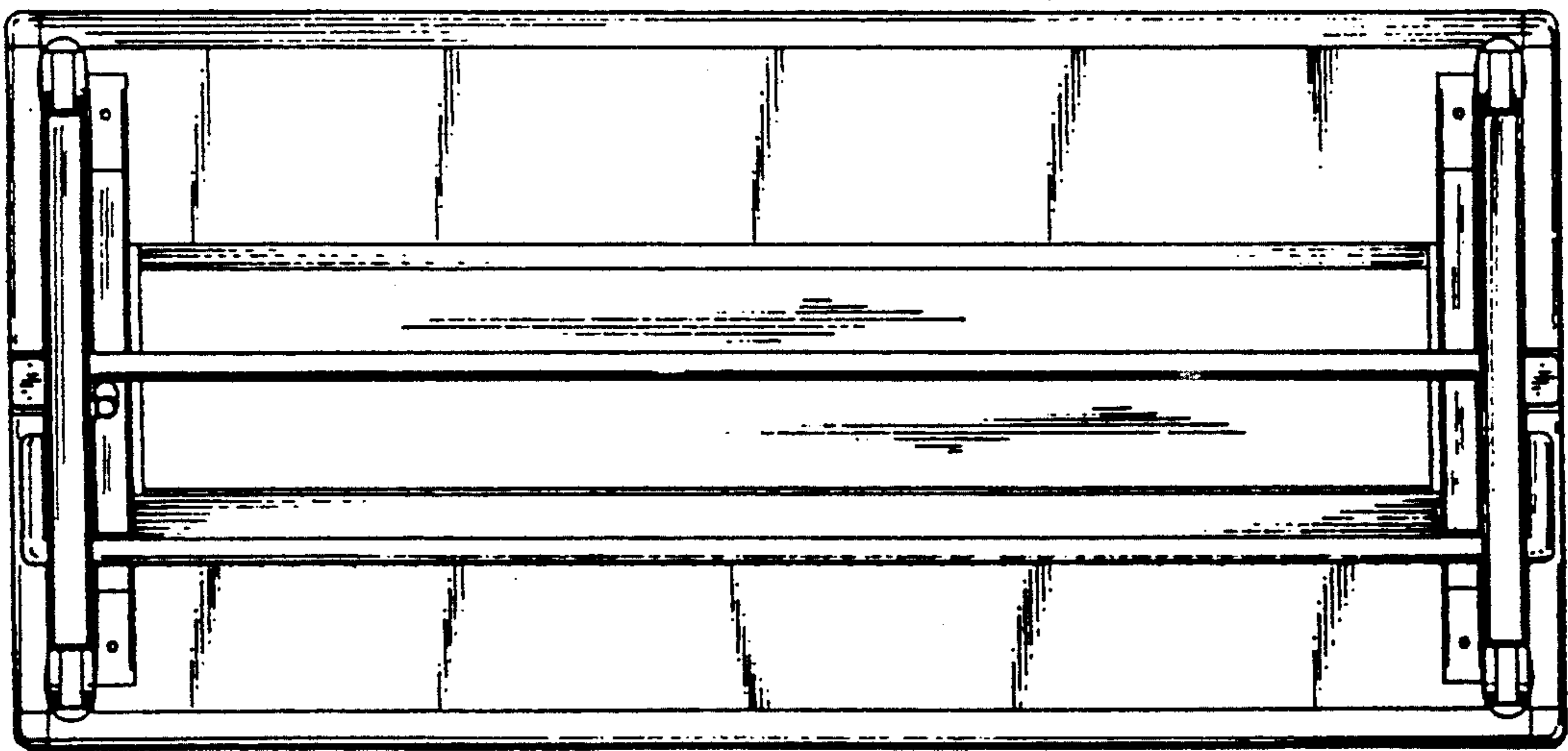


FIG. 7

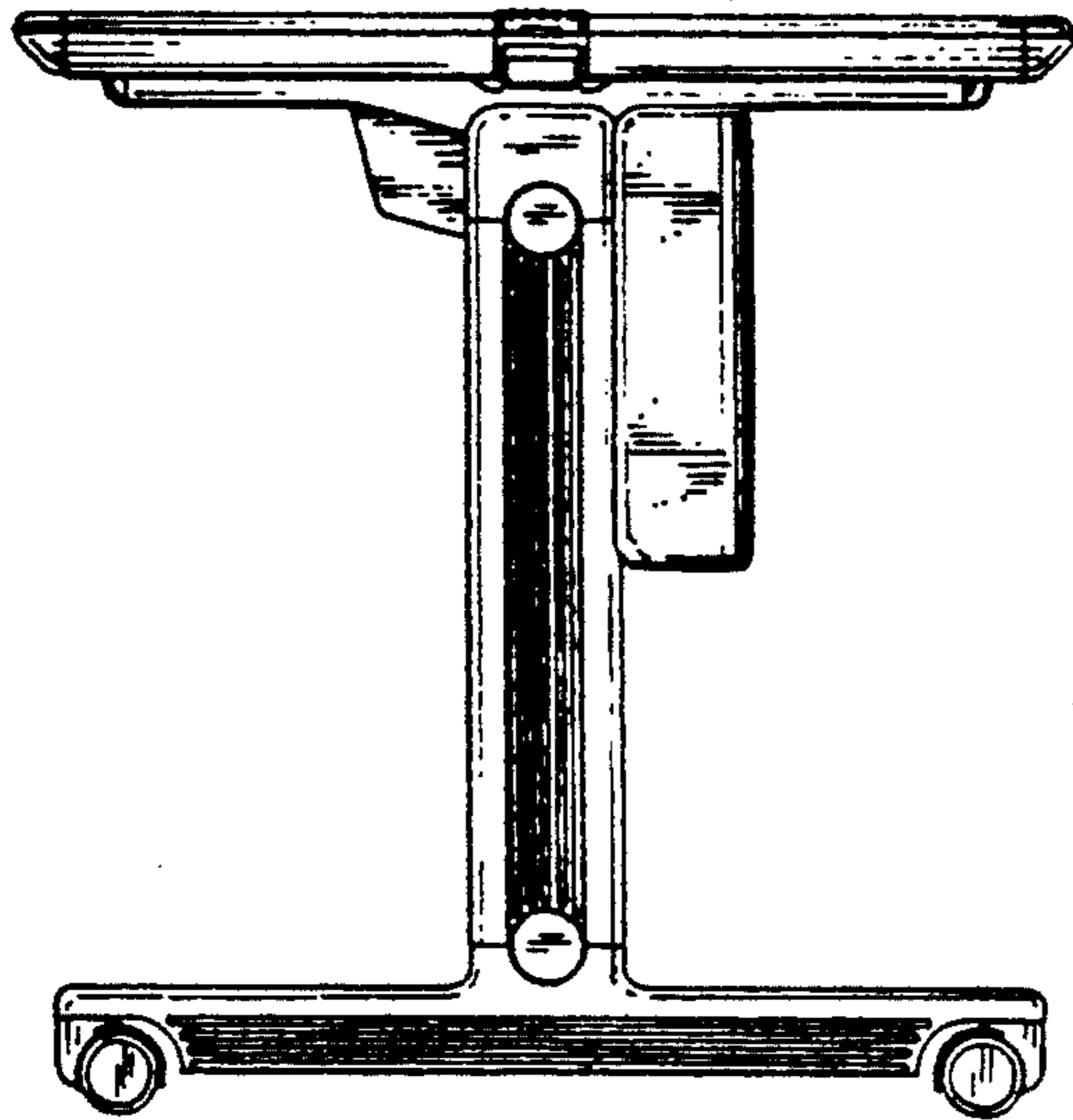


FIG. 8

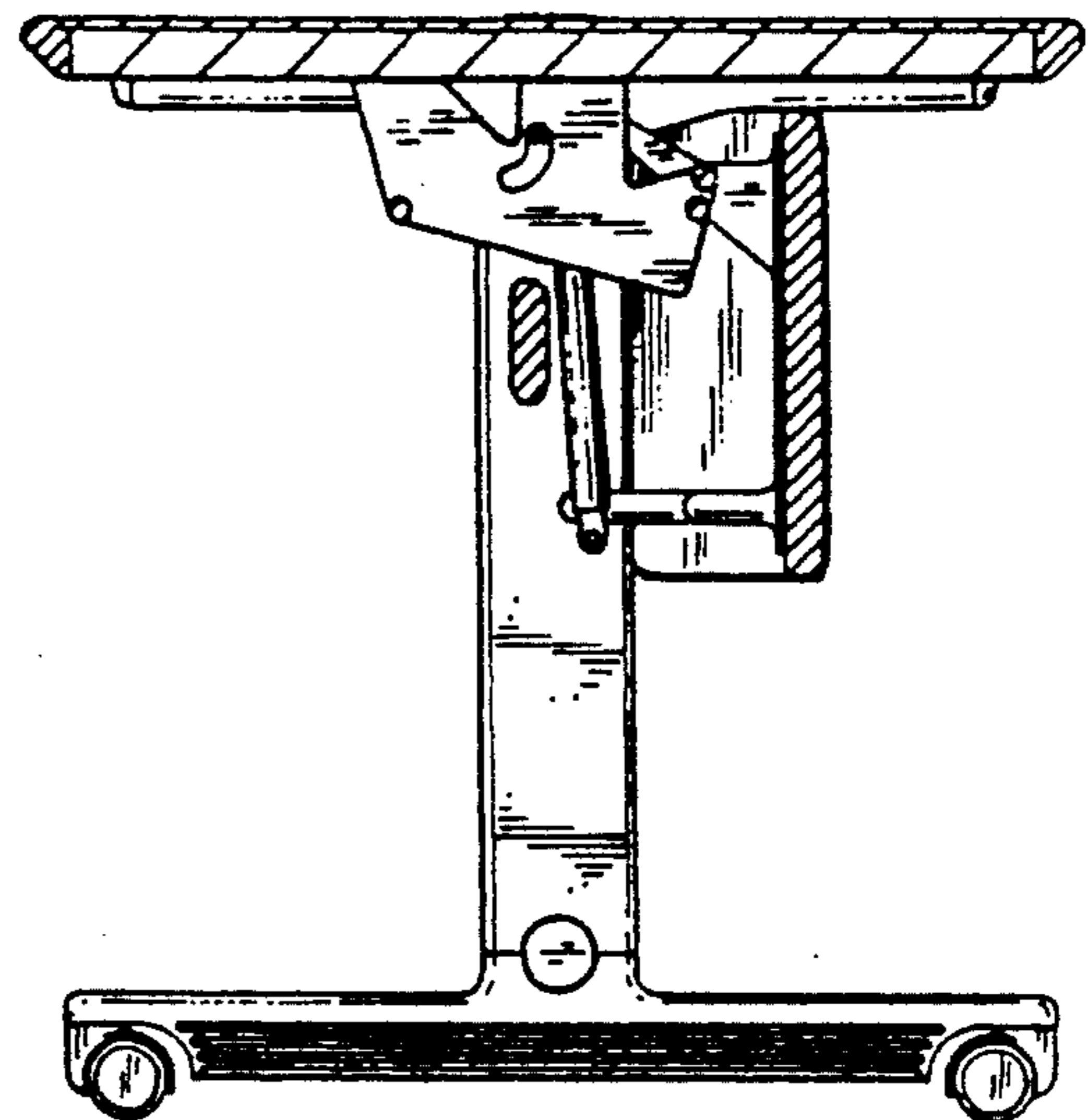


FIG. 9

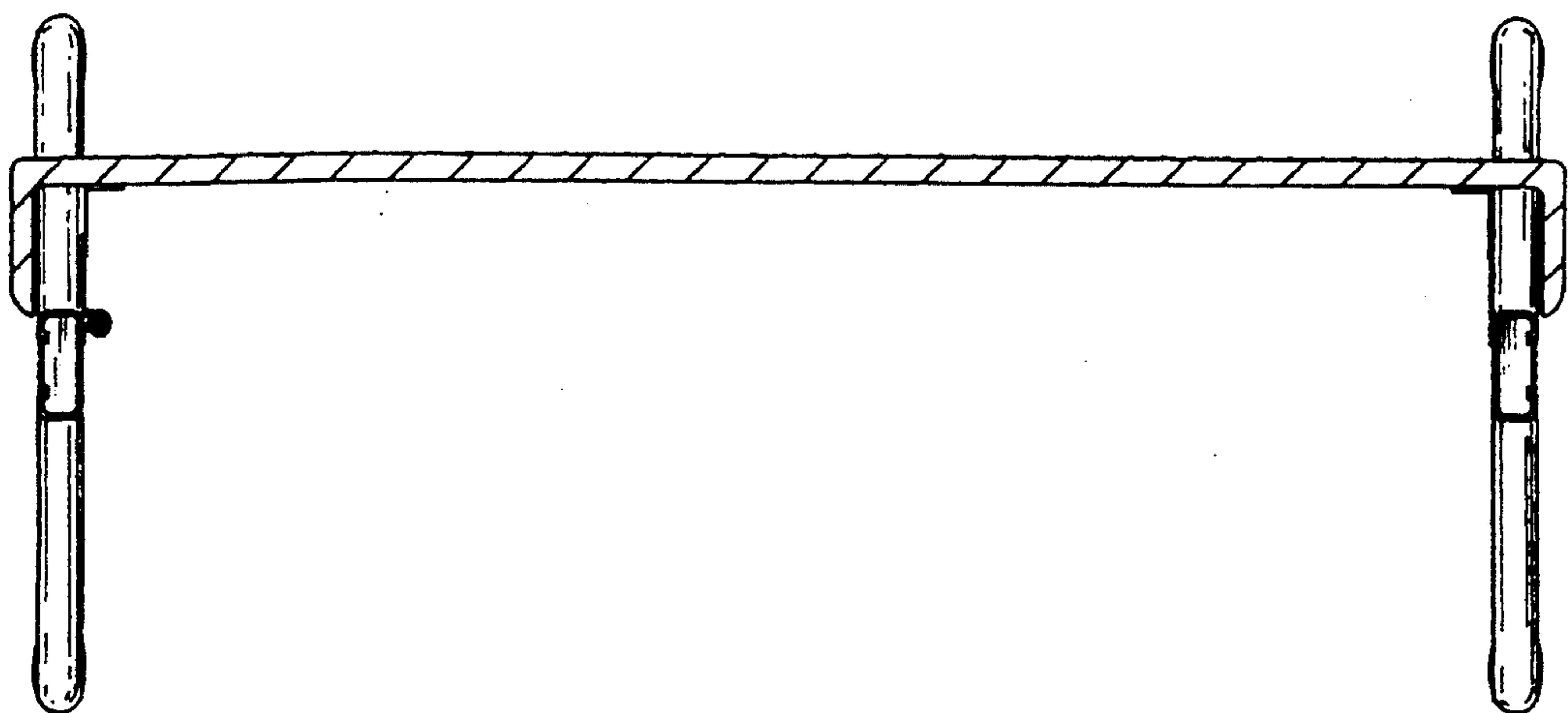


FIG. 10

