



US00D336389S

United States Patent [19]

[11] Patent Number: **Des. 336,389**

Taylor

[45] Date of Patent: **** Jun. 15, 1993**

[54] **UMBRELLA HOLDER**

[76] Inventor: **Michael C. Taylor, 52 Neridah Avenue, Belrose, NSW 2085, Australia**

[**] Term: **14 Years**

[21] Appl. No.: **842,573**

[22] Filed: **Feb. 25, 1992**

[52] U.S. Cl. **D6/416; D3/40; D6/466; D26/49; 211/63**

[58] Field of Search **D6/416, 466, 475, 449, D6/476, 455, 457; D3/30.1, 40; D26/49, 37; D11/146; 224/915, 273; 211/62, 63; 312/45; 248/300**

[56] **References Cited**

U.S. PATENT DOCUMENTS

D. 263,258	3/1982	Zeller	D26/49
D. 314,057	1/1991	Naldi	D26/49
2,028,337	1/1936	Lane	224/915 X
3,147,927	9/1964	Steele et al.	D26/49 X

3,526,238	9/1970	Brayton	211/63 X
3,938,869	2/1976	Josey	312/45 X
4,009,854	3/1977	Moyer	211/63 X
4,378,888	4/1983	Reed	211/62 X
4,795,067	1/1989	Hamilton	224/915 X
5,046,622	9/1991	Wood	211/63

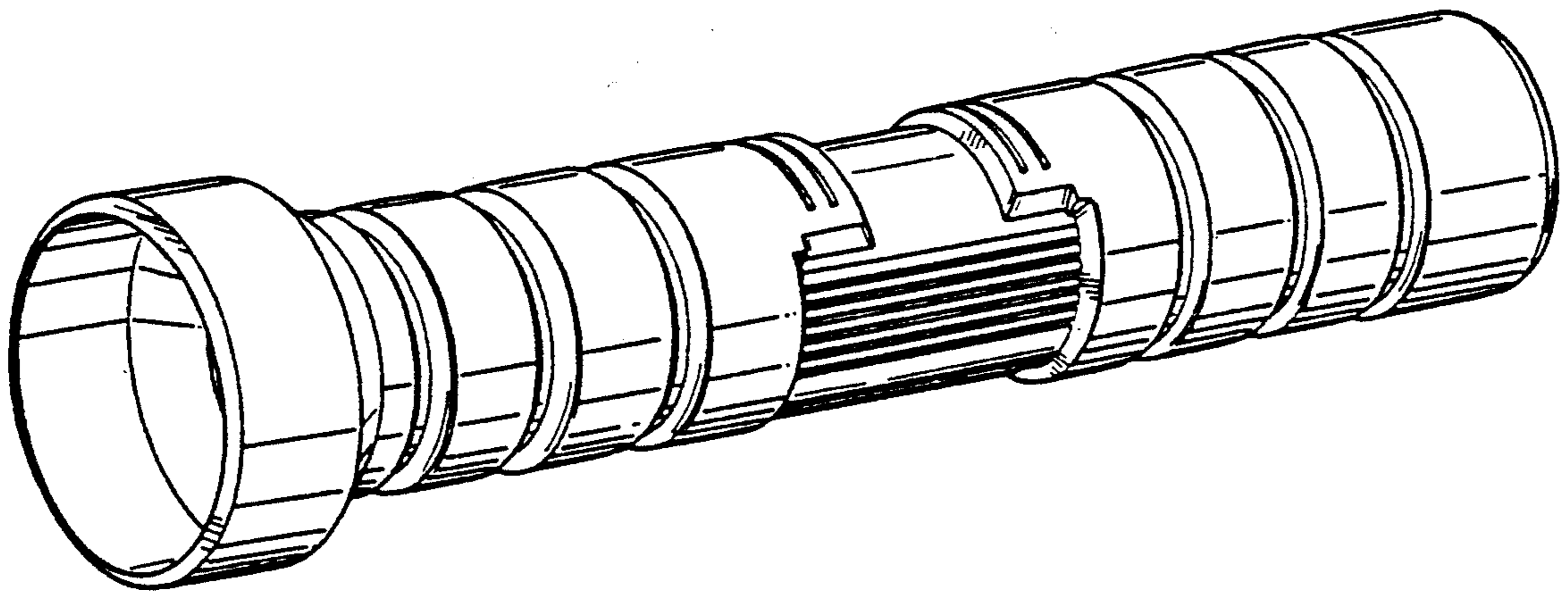
Primary Examiner—Alan P. Douglas
Assistant Examiner—Jeffrey Asch
Attorney, Agent, or Firm—Bernard L. Kleinke; Jerry R. Potts; William Patrick Waters

[57] CLAIM

The ornamental design for an umbrella holder, as shown and described.

DESCRIPTION

FIG. 1 is a top and right side perspective view of an umbrella holder showing my new design; FIG. 2 is a front elevational view thereof; FIG. 3 is a right side elevational view thereof, the left side being a mirror image; FIG. 4 is a top plan view thereof; FIG. 5 is a bottom plan view thereof; and, FIG. 6 is a rear elevational view thereof.



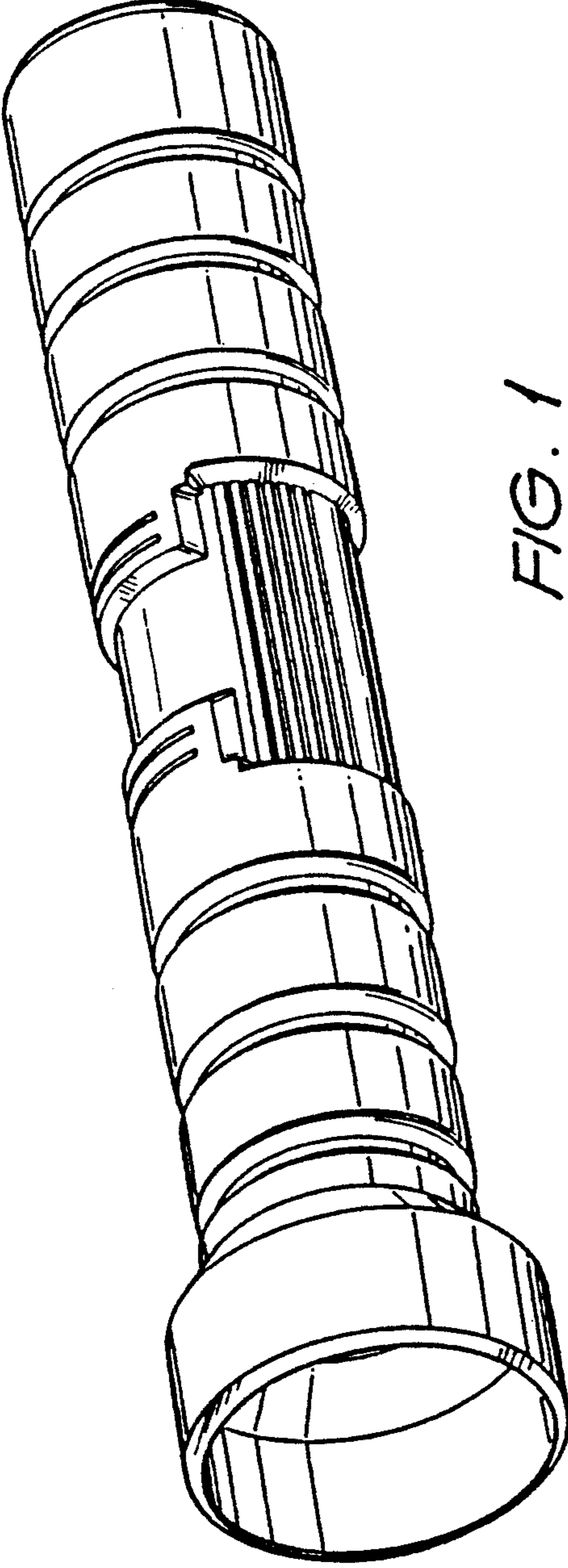


FIG. 1

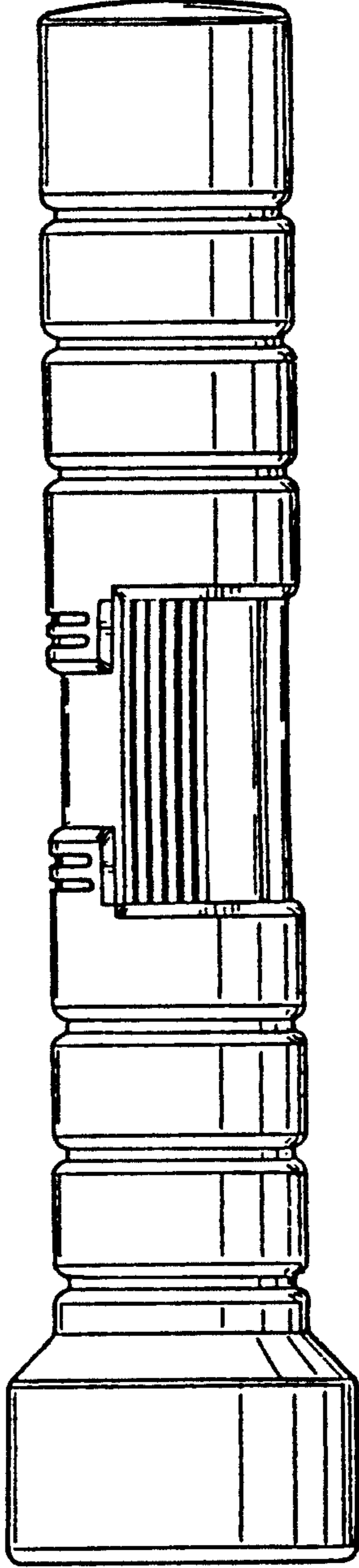


FIG. 3

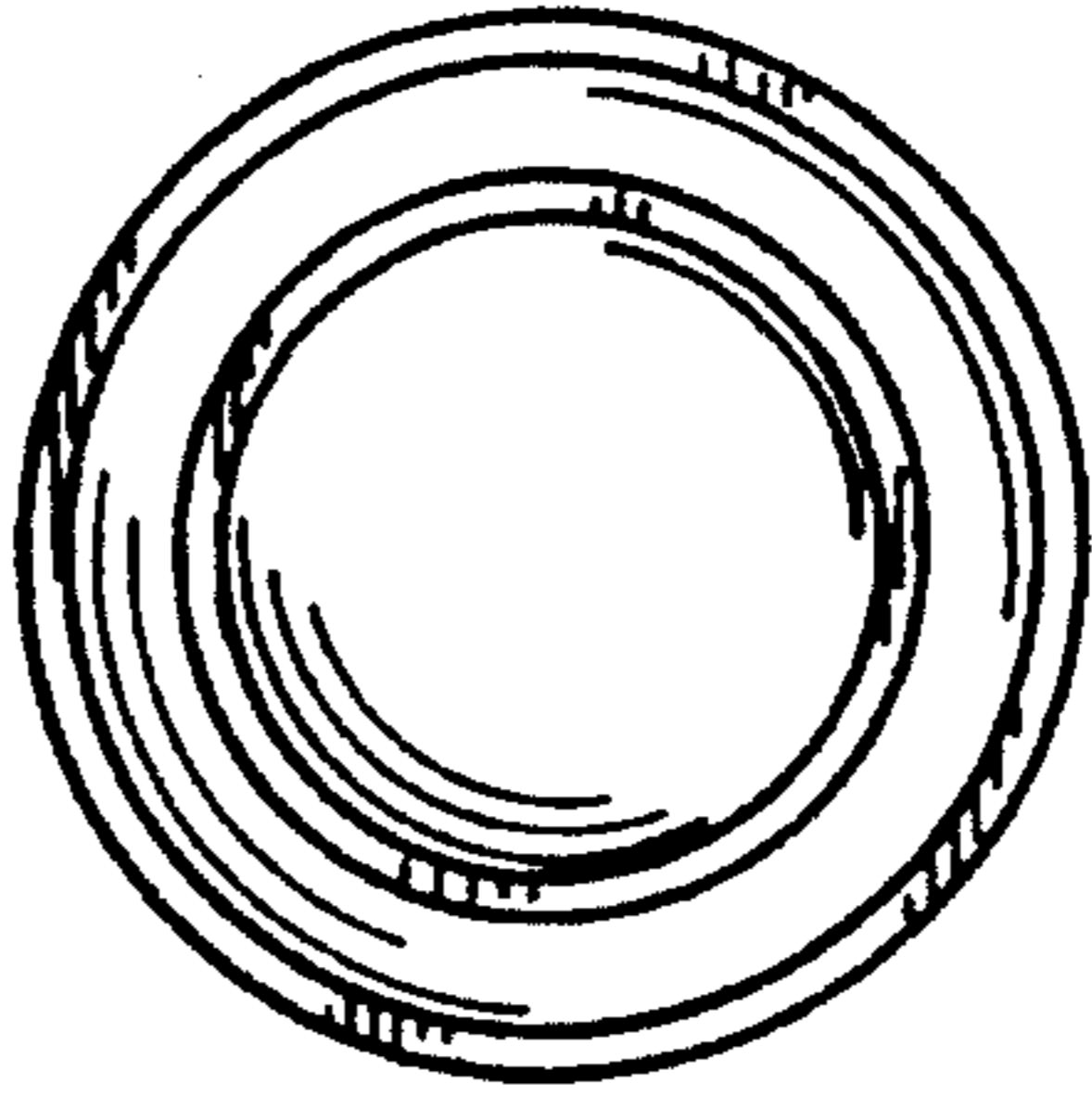


FIG. 2

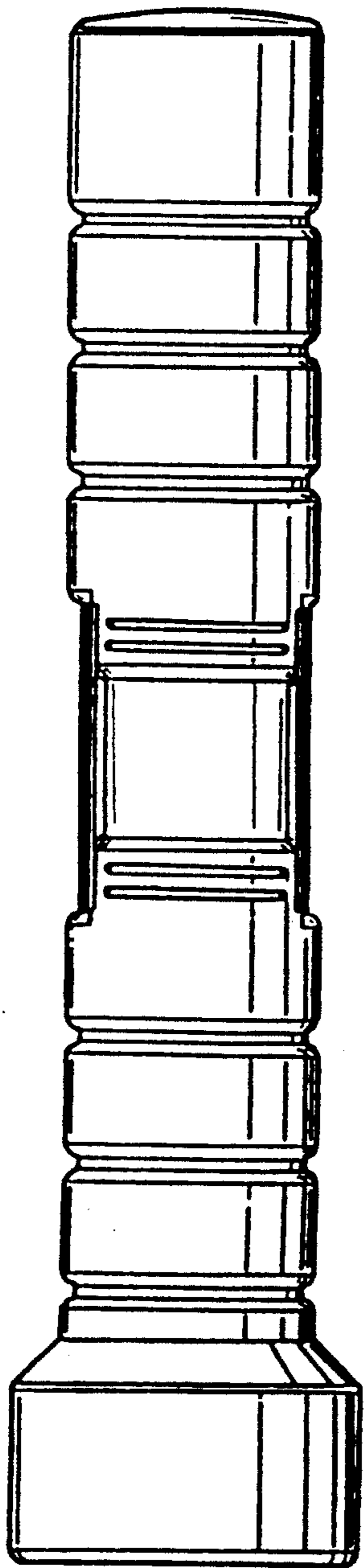


FIG. 4

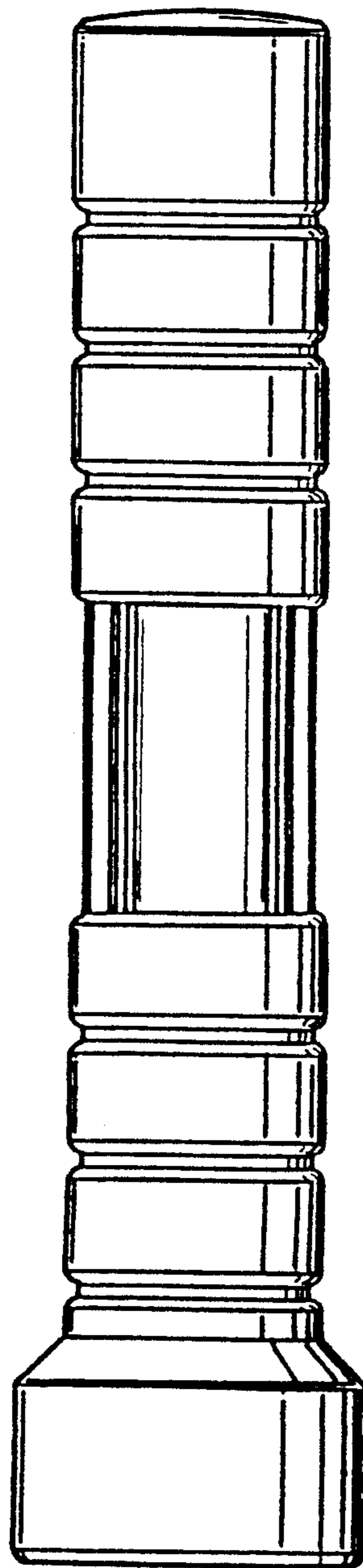


FIG. 5

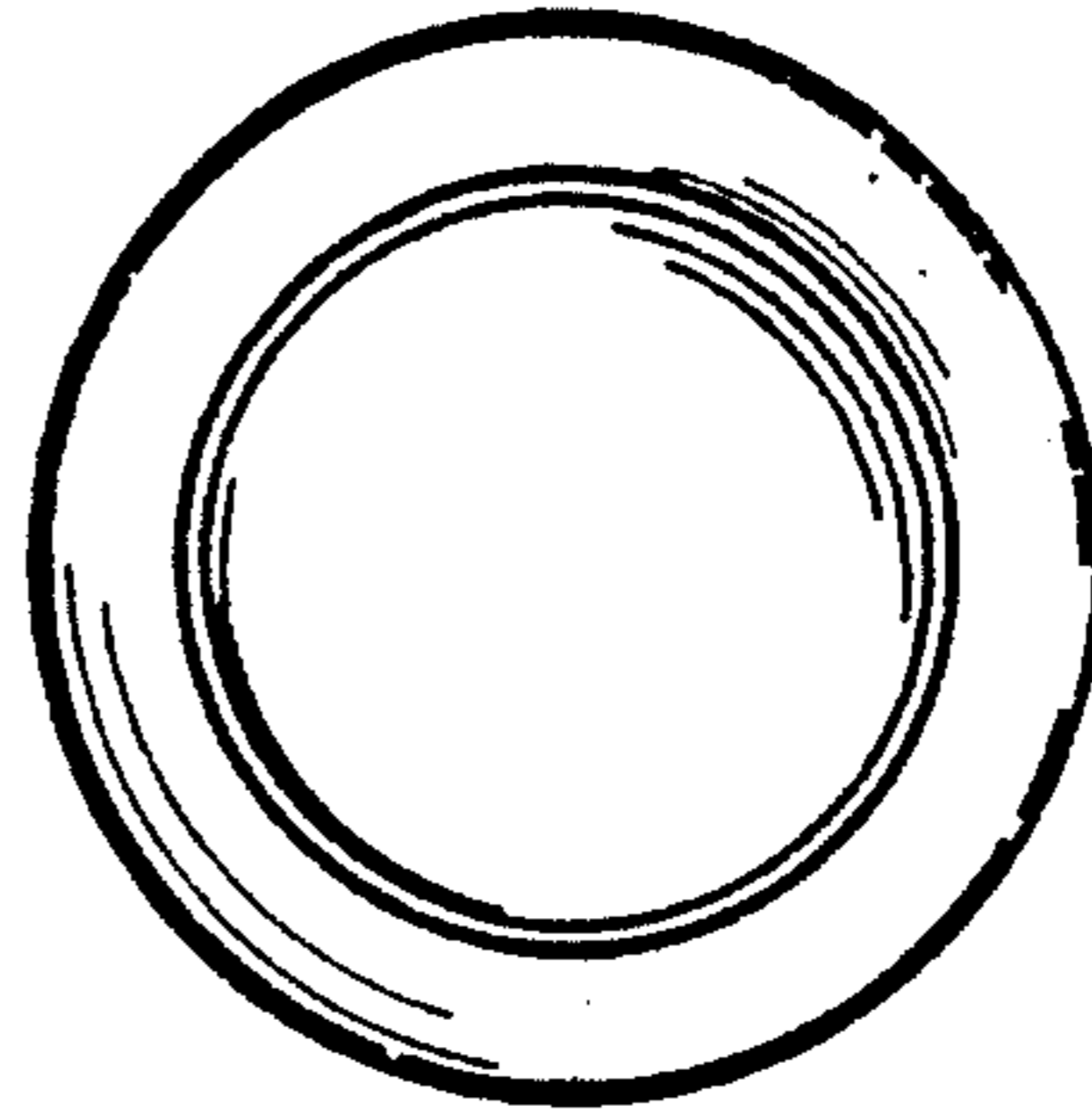


FIG. 6