



US00D336381S

United States Patent [19]

[11] Patent Number: **Des. 336,381**

Nordstrom

[45] Date of Patent: **** Jun. 15, 1993**

[54] **DENTAL CHAIR**

[75] Inventor: **Carl G. Nordstrom**, Lake Oswego, Oreg.

[73] Assignee: **A-Dec, Inc.**, Newberg, Oreg.

[**] Term: **14 Years**

[21] Appl. No.: **501,657**

[22] Filed: **Mar. 29, 1990**

[52] U.S. Cl. **D6/367; D6/361; D24/183**

[58] Field of Search **D6/334, 335, 360, 361, D6/364, 365, 367, 374, 375, 379, 500, 501, 502; D24/183; 297/345, 423; 433, 435, 460**

[56] **References Cited**

U.S. PATENT DOCUMENTS

Re. 30,648	6/1981	Ohlrogge et al. .	
D. 181,048	9/1957	Golden	D6/360
D. 189,845	3/1961	Graham	D6/361
D. 238,317	1/1976	Schoeller et al.	D6/361
D. 241,386	9/1976	Lawrence	D6/361
D. 267,987	2/1983	Leffler et al.	D6/361
D. 281,656	12/1985	Bartlett et al.	D6/360
3,338,632	8/1967	Kleinsorge .	
3,414,324	12/1968	Taylor et al. .	
3,427,072	2/1969	Hale .	
3,813,147	5/1974	Rick .	
3,866,973	2/1975	Hewbeck	D6/361 X
3,934,928	1/1976	Johnson .	
4,527,976	7/1985	Behringer et al. .	
4,541,671	9/1985	Broadhead et al. .	
4,678,229	7/1987	Ryan et al. .	
4,878,709	11/1989	Okamoto .	
4,966,413	10/1990	Palarski .	

OTHER PUBLICATIONS

Published Advertisement, 1 p. Minerva 1450 dental chair, date unknown.

Seimens Published Brochure: High Technology & Service to Sirona E1/A1; E2/A2; E3; E5/A1; Jan. 1988.

Published Advertisement, 1 page, Den-Tal-Ez Privilege P. 100, Jan. 1986.

Antos, Tesco, 6 pages, Published brochure, date unknown.

Tecnodent, Published Brochure, 2009, Prima Ed Unica, Jan. 1988.

Planmeca Inc., Published Brochure, 8 pages, PM 2002 cc Jan. 1988.

Industrial Design, May/June 1981, p. 44, chair at mid-page left.

La machine a remonter le temps dans l'art dentaire KaVo Systematic 1060) Brochure, 4 pages, France, 1986.

Finndent oy Brochure, 4 pages, Finland, 1988.

Den-Tal-Ez E2000 Chair Brochure, 2 pages, USA, Feb. 1990.

The A-Dec Priority Chair: Beauty Goes to Work Brochure, 8 pages USA, Aug. 1989.

Royal Sixteen Plush Brochure, 2 pages, USA, Jan. 1990.

Die Fsazination des Fortschritts KaVo Estetica 1042 Die Behandlungseinheit Brochure, 16 pages, Germany, Sep. 1986.

Safety Zone PROTection for Professionals The Pro II, 8 pages, USA, Oct. 1986.

FX Series Brochure, 30 pages, Japan, Mar. 1990.

F1 State of the Art Brochure, 6 pages, Finland.

SP-SIX Brochure, 32 pages, Japan, Jan. 1984.

Belmont Dental Equipment, 30 pages, Japan.

Signo Grand Brochure, 20 pages, Japan, May 1987.

Belmont Dental Equipment, 38 pages, Japan.

KaVo Werk Dentale Einrichtungen Brochure, *Die Faszination des Fortschritts, KaVo ESTETICA 1042, Die Behandlungseinheit*. WDE PR-No. 8078/3 XI. 86 Technische Änderungen vorbehalten.

Royal Dental Manufacturing Incorporated Brochure, *Royal Sixteen Plush*, and *Royal Easycare Upholstery*, Literature No. 0190A.

Belmont Equipment Corp. Brochure, *Pro II Chair*, Literature No. 86-10-20M.

Pour Ceux Qui Aiment La Perfection Brochure, *La Machine 'a remonter le temps dans l'art dentaire. KaVo Systematica* ® 1060, WDE, PR-No 8168/X.88f.

Primary Examiner—Alan P. Douglas
Assistant Examiner—Gary D. Watson
Attorney, Agent, or Firm—Klarquist, Sparkman, Campbell, Leigh & Whinston

[57] **CLAIM**

The ornamental design for a dental chair, as shown and described.

DESCRIPTION

FIG. 1 is a left-front perspective view of a dental chair showing my new design;

FIG. 2 is a left side elevational view showing the chair in a lowered position with the backrest upright, the right side being a mirror image thereof;

FIG. 3 is a front elevational view of FIG. 2; and,

FIG. 4 is a rear elevational view of FIG. 2.

FIG. 1

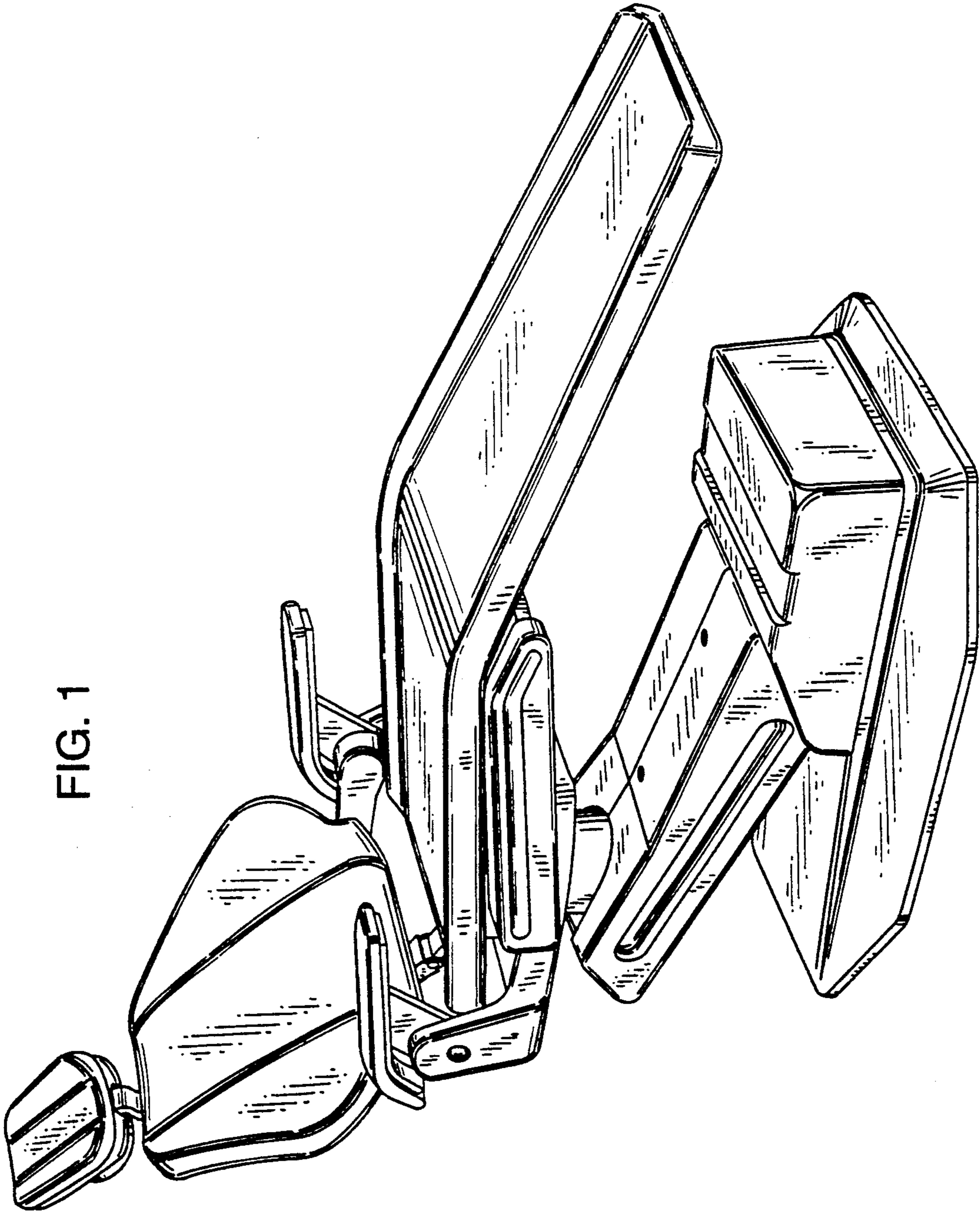
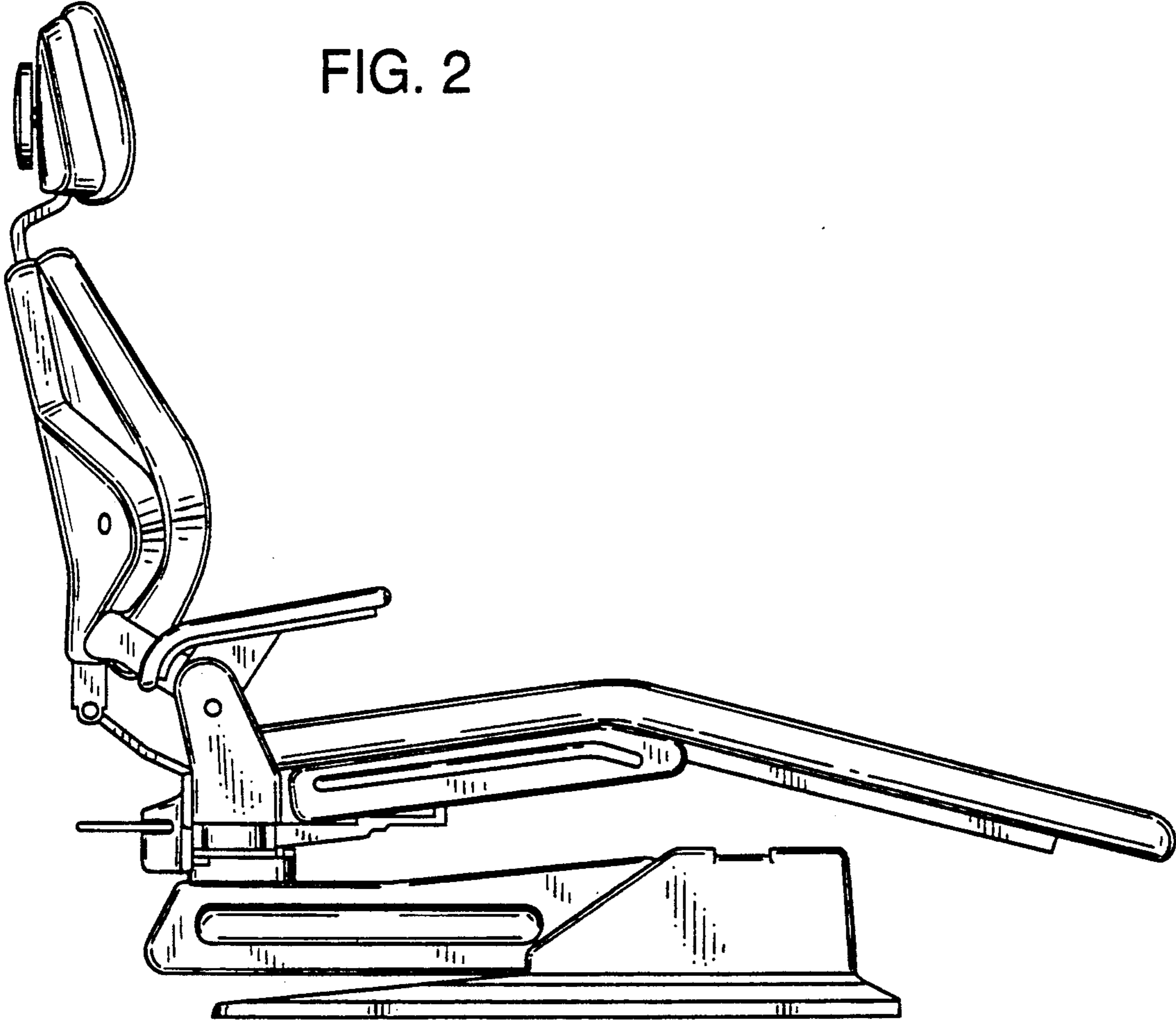


FIG. 2



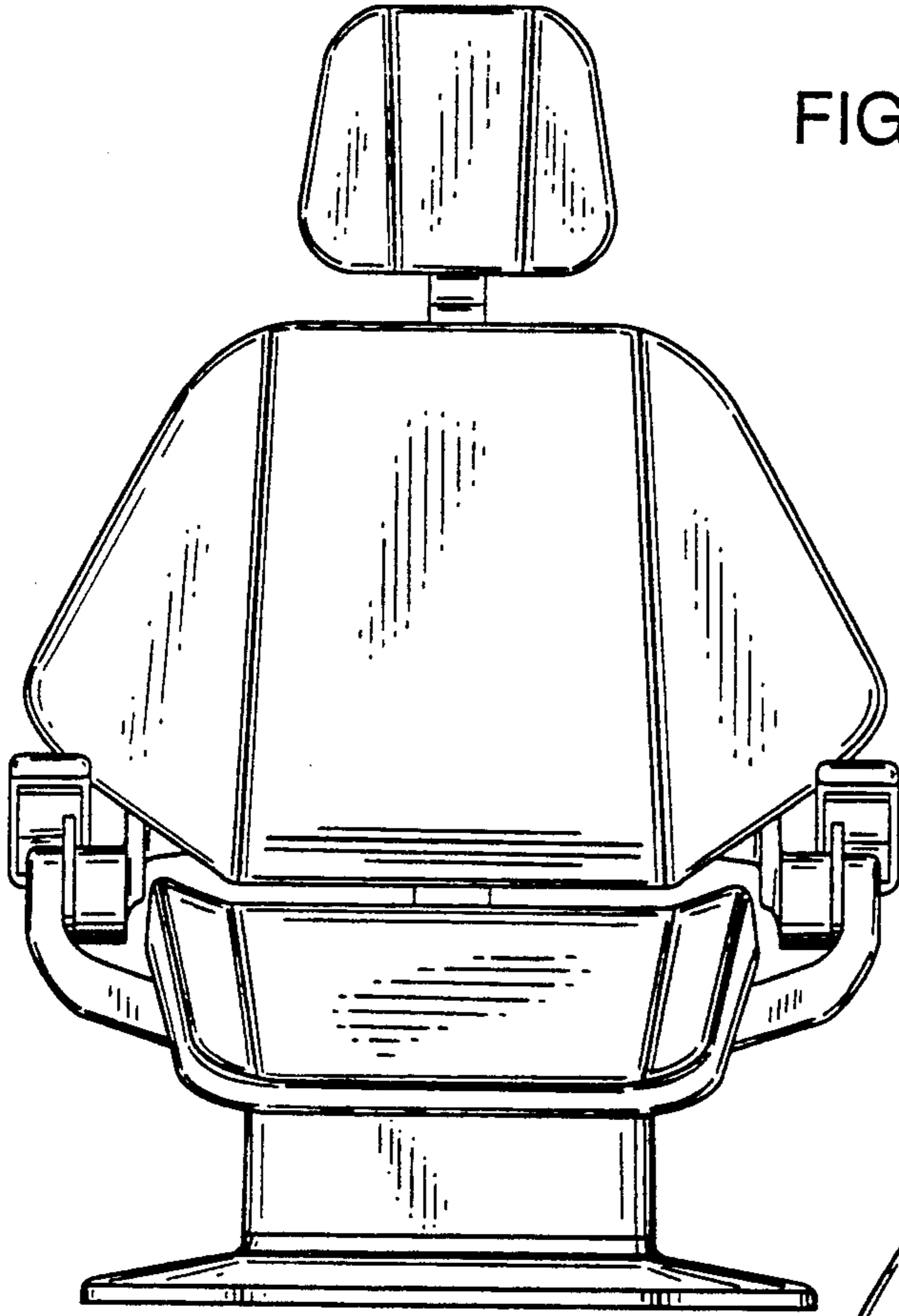


FIG. 3

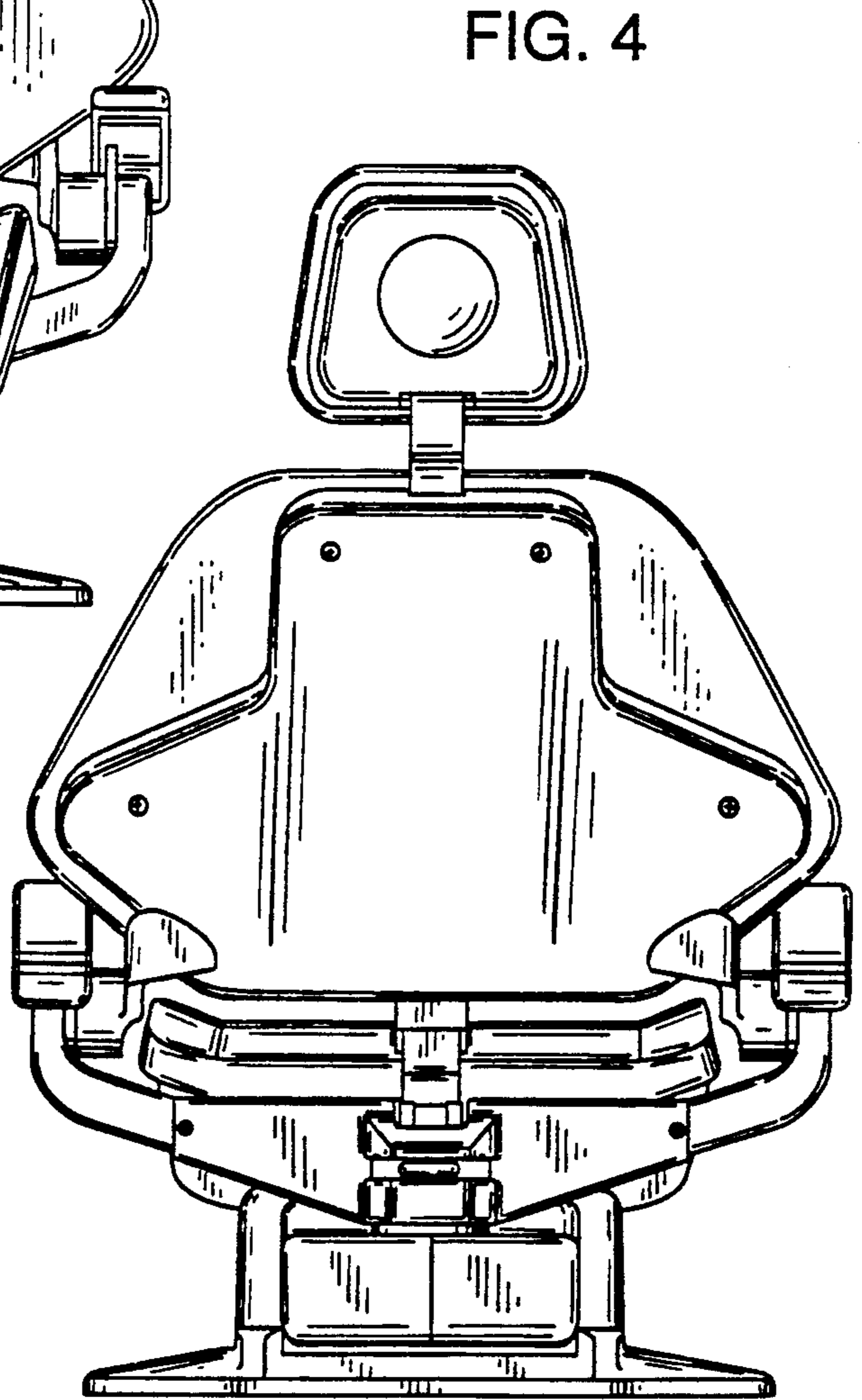


FIG. 4