



US00D336380S

United States Patent [19]

[11] Patent Number: **Des. 336,380**

Roseen et al.

[45] Date of Patent: **** Jun. 15, 1993**

[54] **CHAIR**

[75] Inventors: **James E. Roseen**, Rancho Palos Verdes, Calif.; **Richard S. Hart**, Elgin; **Jeffrey P. Heuel**, Elmhurst, both of Ill.

[73] Assignee: **Systems Furniture Company**, Torrance, Calif.

[**] Term: **14 Years**

[21] Appl. No.: **444,182**

[22] Filed: **Nov. 30, 1989**

[52] U.S. Cl. **D6/366**

[58] Field of Search **D6/333, 334, 335, 339, D6/344, 349, 356, 364, 365, 366, 372, 374, 375, 379, 501, 502, 601; 297/181, 25 D, 257, 438, 439, 460**

[56] **References Cited**

U.S. PATENT DOCUMENTS

D. 248,068	6/1978	Roericht	D6/366
D. 249,302	9/1978	Ruf	D6/366
D. 268,149	3/1983	Case	D6/365 X
5,074,621	12/1991	McDonald	297/460 X

OTHER PUBLICATIONS

Domus, Dec. 1979, p. T, "Chair", top center of page.

GF Furniture Systems Cat., "Body Chair II", center of page.

Interiors, May 1988, p. 6, "Herrman Chair", right side of page.

Schoner Wohnen, Feb. 1985, p. 145, "#2 Chair", center of page.

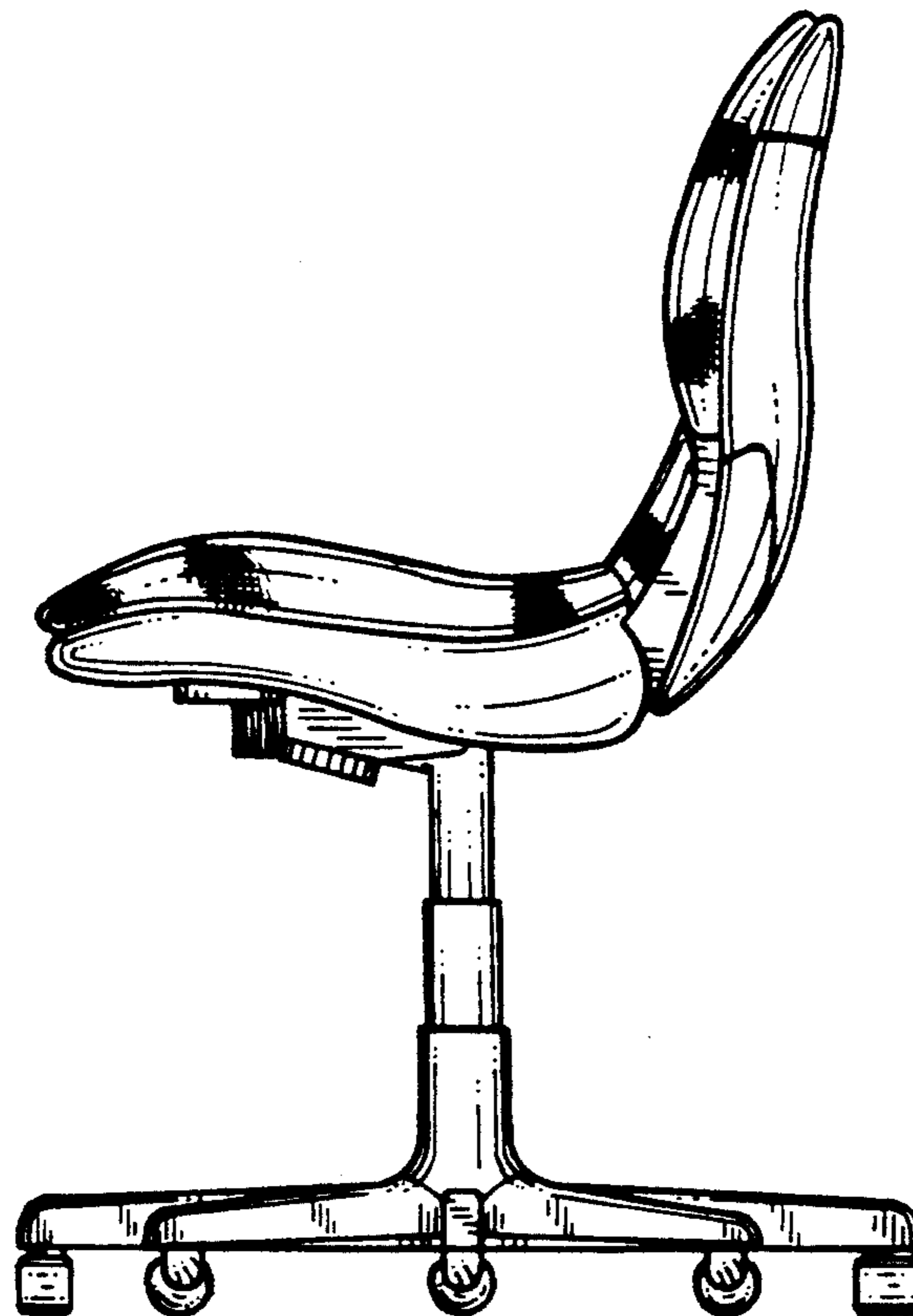
Primary Examiner—Alan P. Douglas
Assistant Examiner—Monica A. Hannon
Attorney, Agent, or Firm—Pennie & Edmonds

[57] **CLAIM**

The ornamental design for a chair, as shown and described.

DESCRIPTION

FIG. 1 is a rear elevational view of a chair showing our new design;
FIG. 2 is a front elevational view thereof;
FIG. 3 is a left side elevational view thereof;
FIG. 4 is a right side elevational view thereof;
FIG. 5 is a rear elevational view thereof;
FIG. 6 is a top plan view thereof;
FIG. 7 is a bottom view thereof;
FIG. 8 is a right side elevational view of a second embodiment, the left side being a mirror image thereof;
FIG. 9 is a rear elevational view of FIG. 8 thereof;
FIG. 10 is a left side elevational view of a third embodiment, the right side being a mirror image thereof; and,
FIG. 11 is a rear elevational view of FIG. 10 thereof.



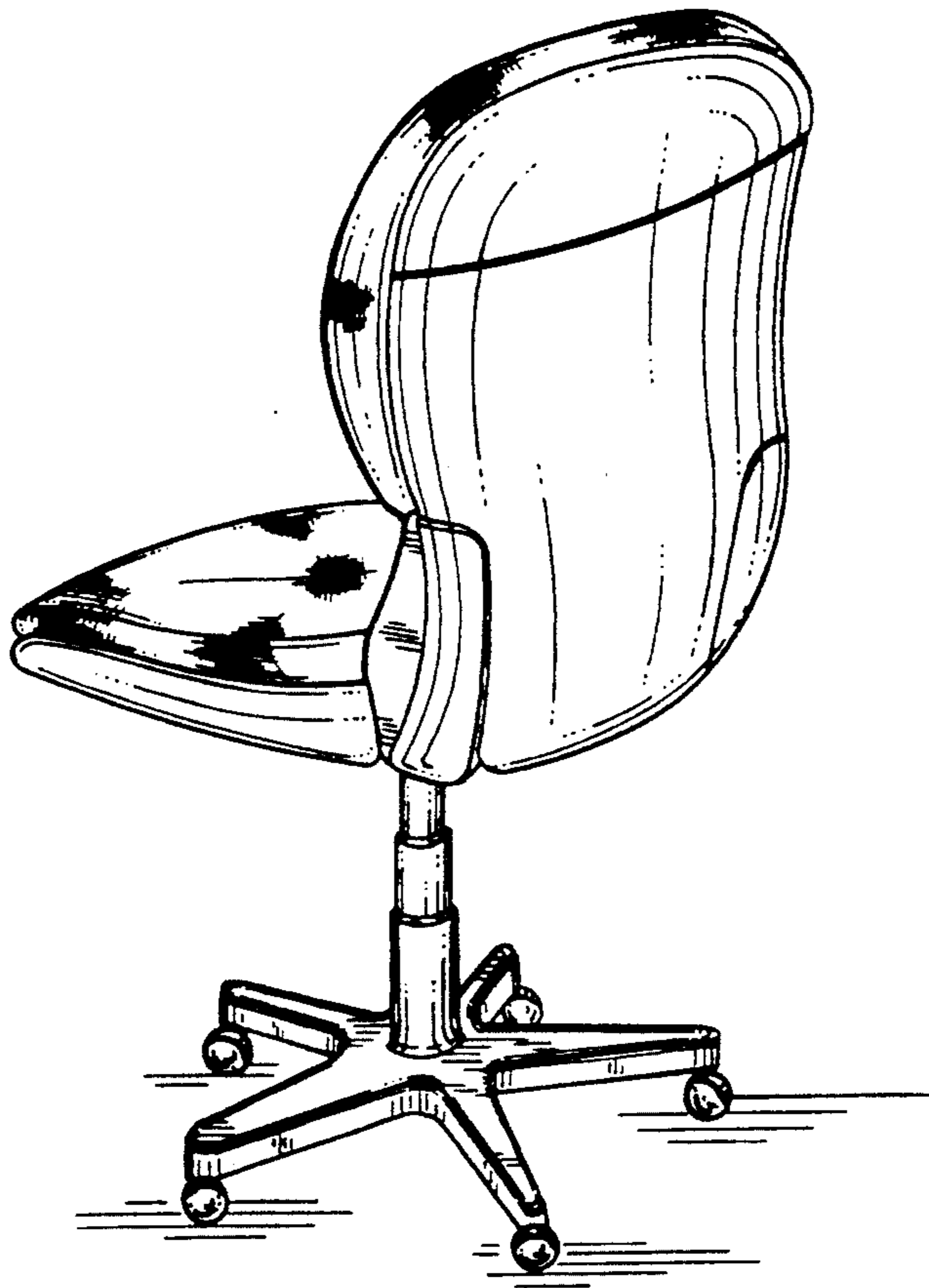


FIG. 1

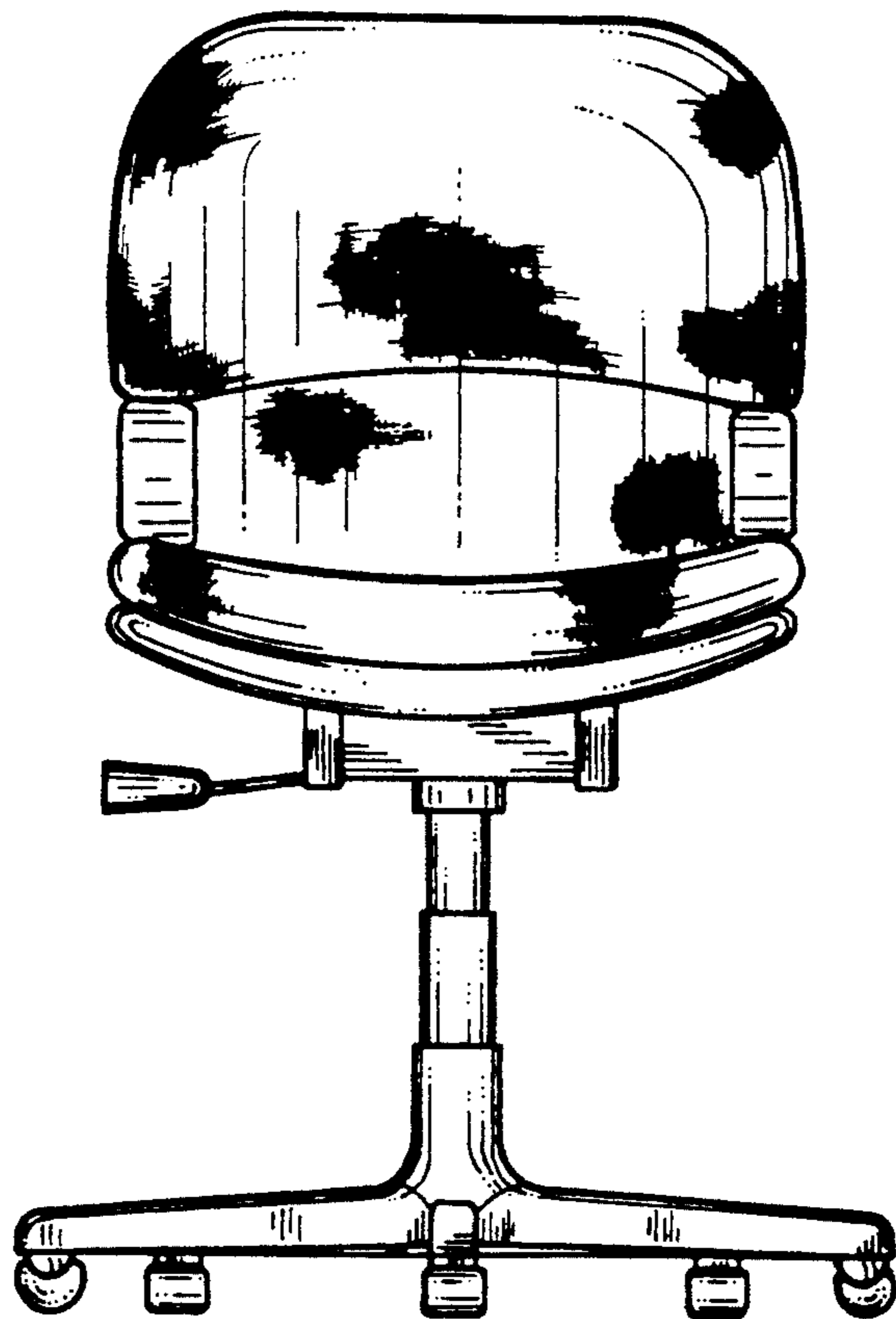


FIG. 2

FIG. 3

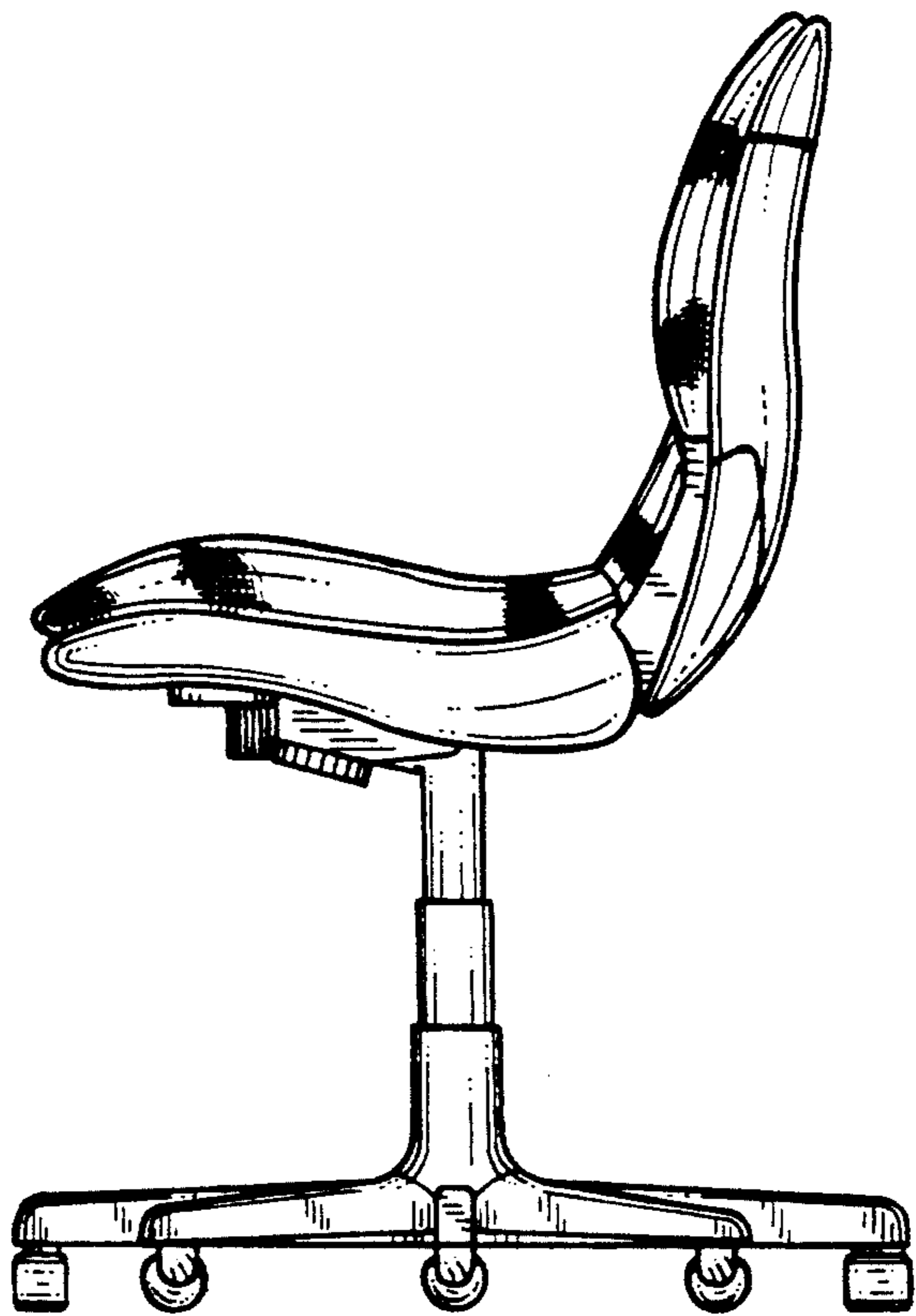
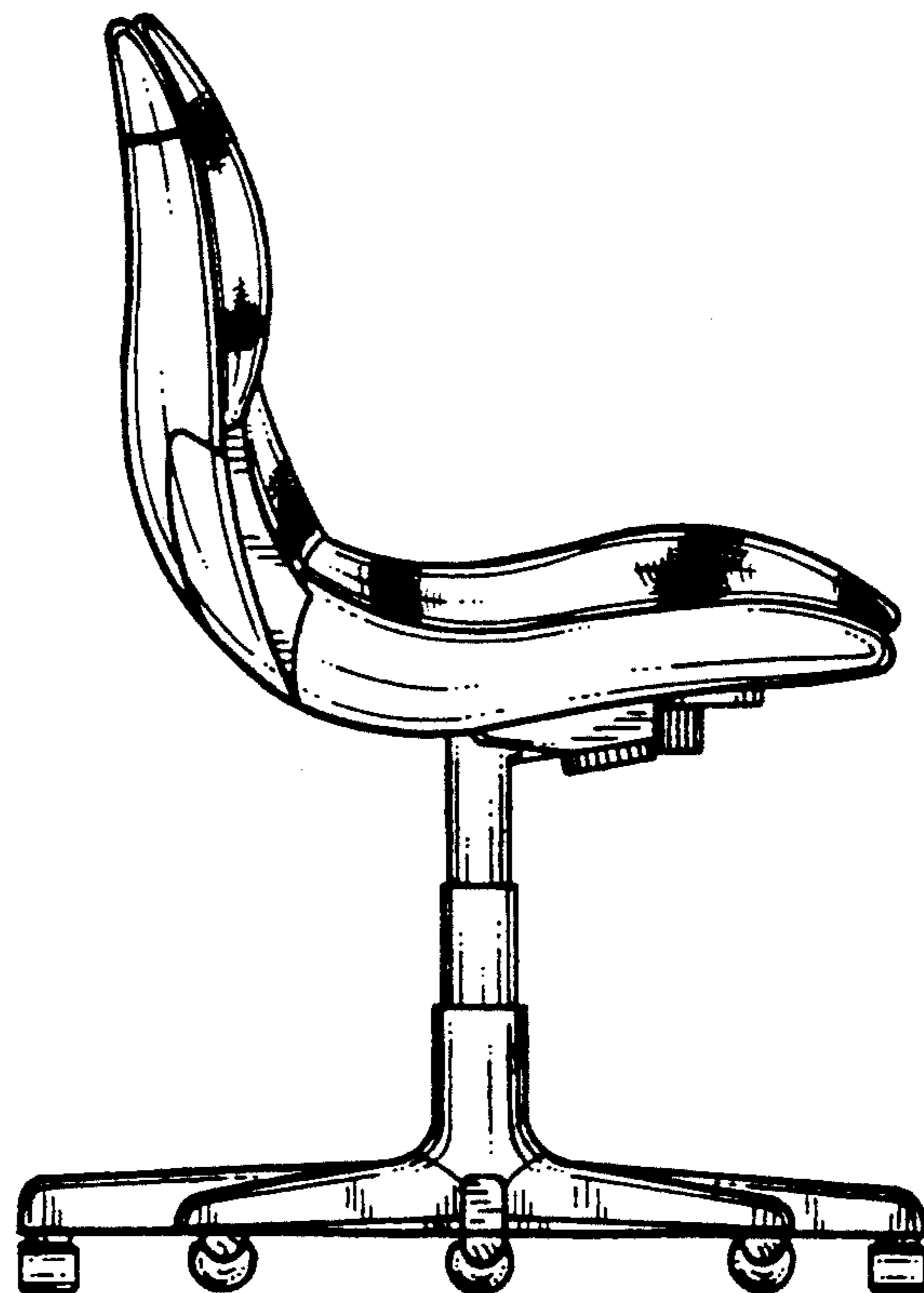


FIG. 4



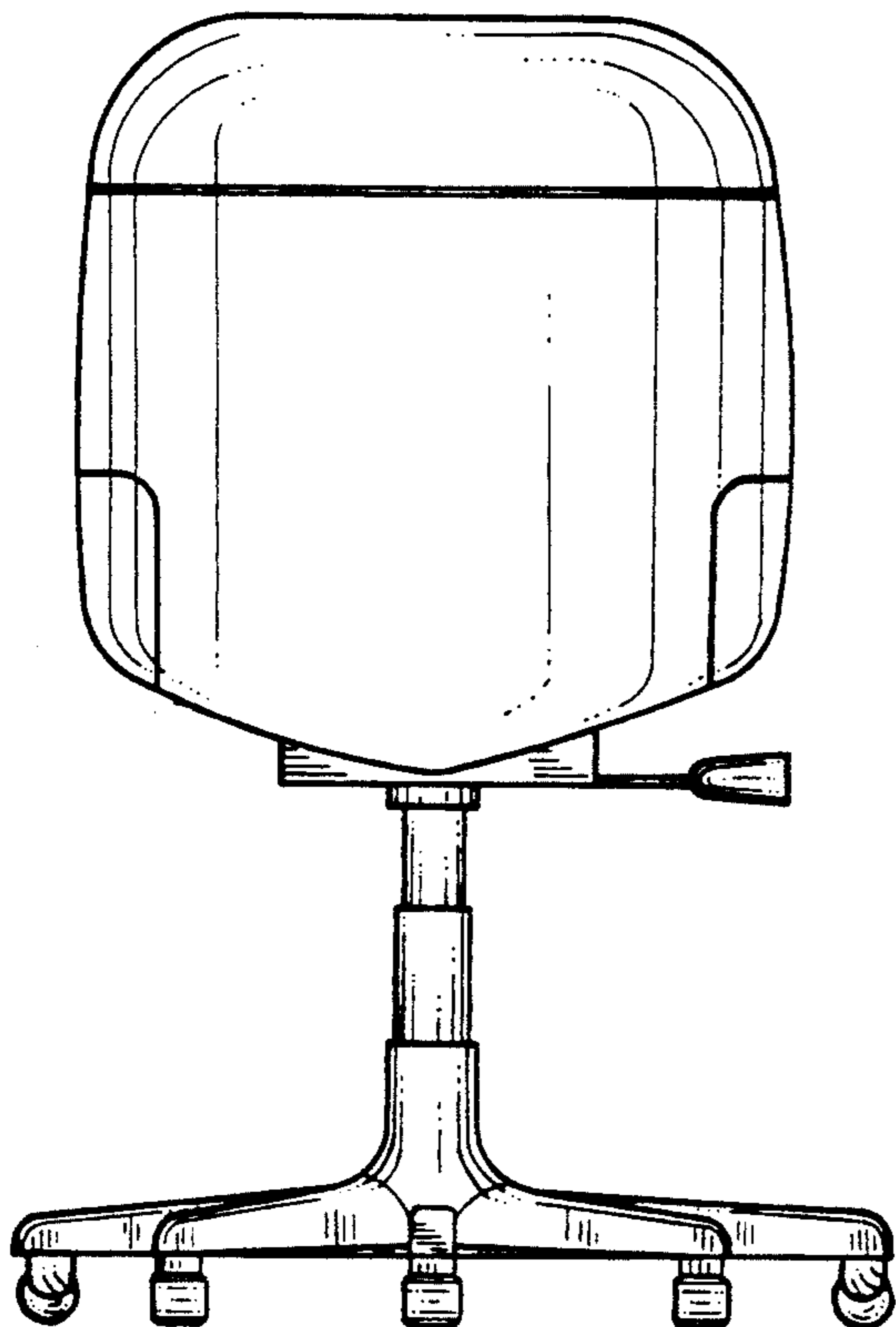


FIG. 5

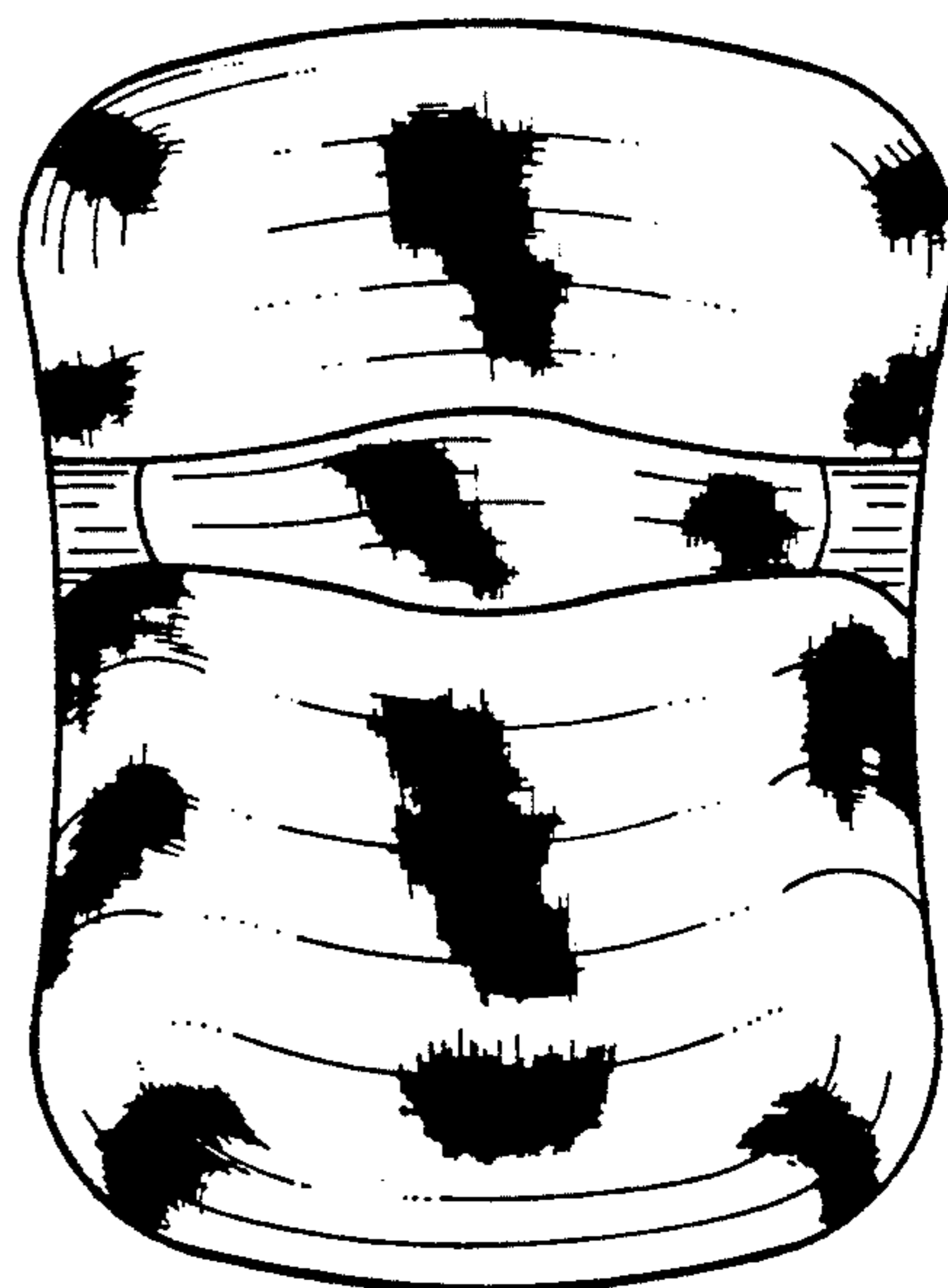


FIG. 6

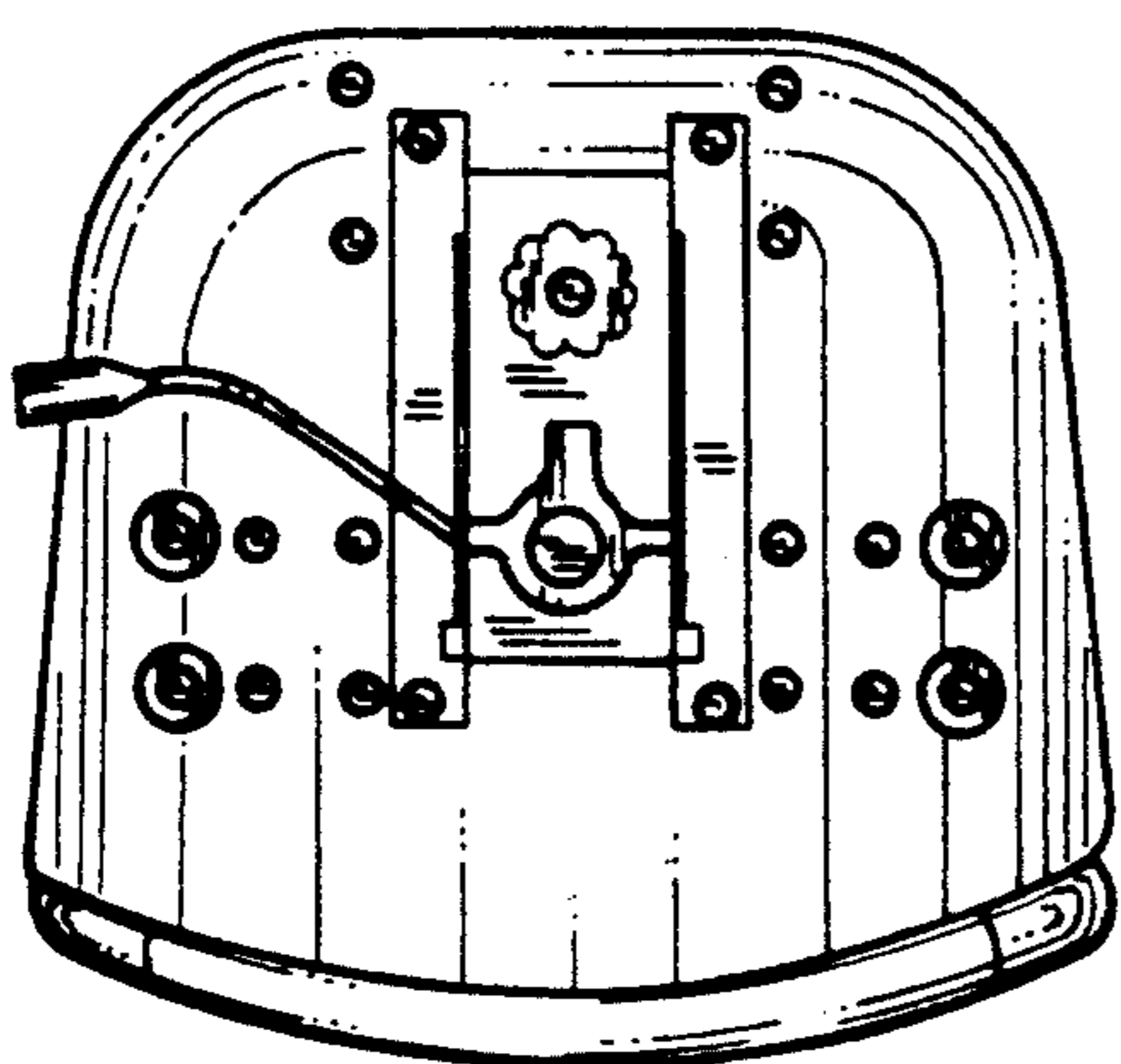


FIG. 7

FIG. 8

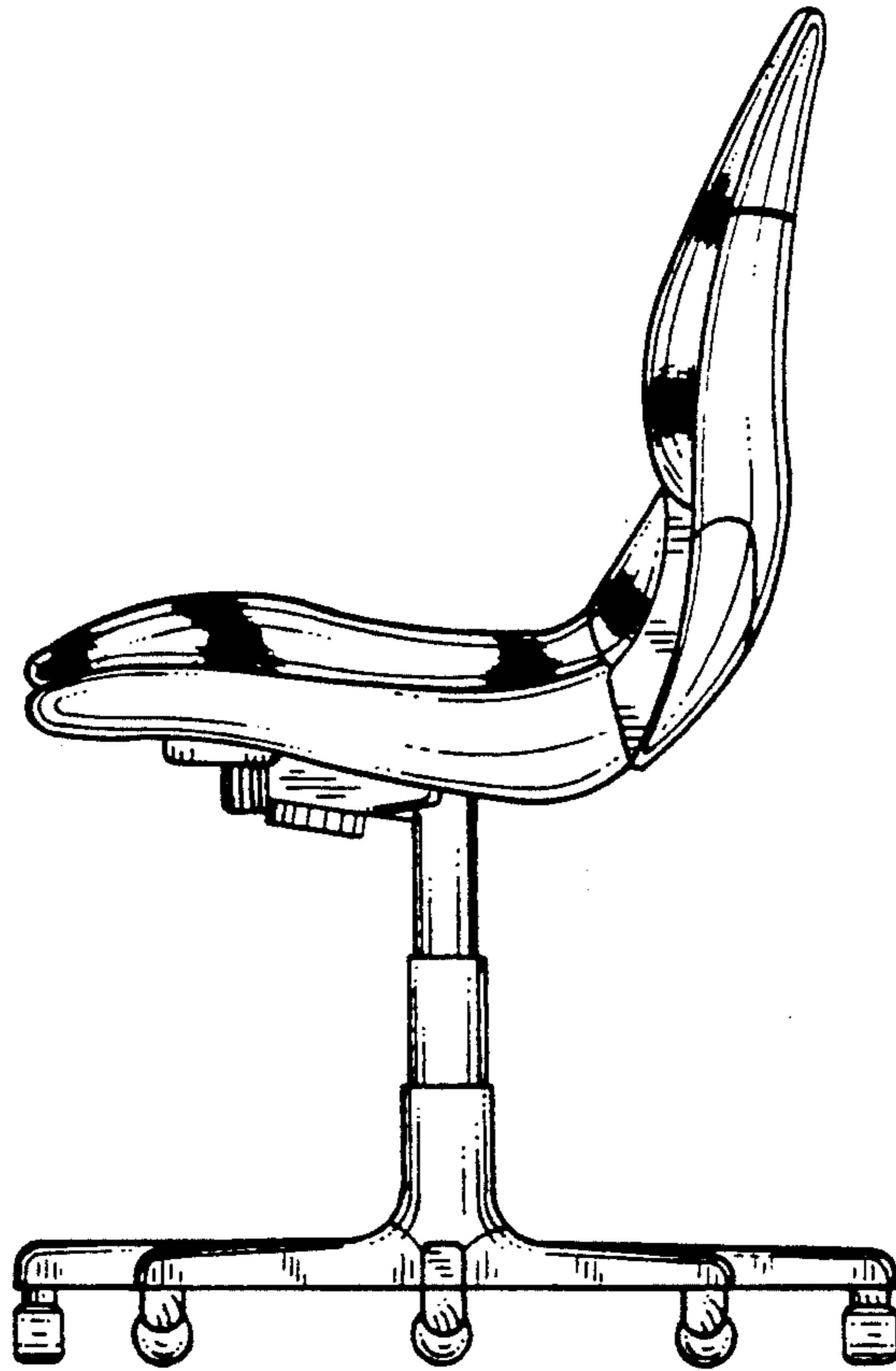
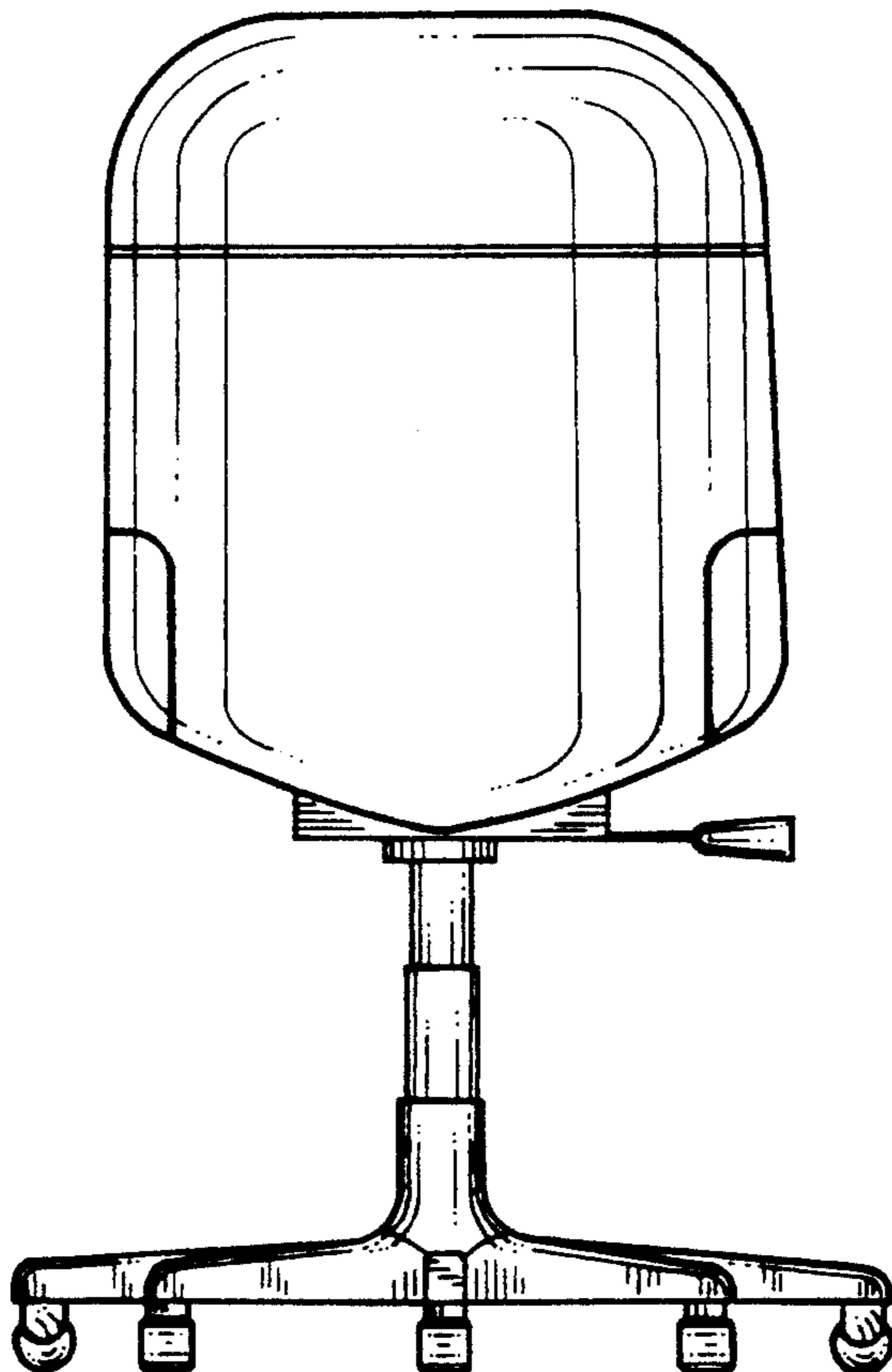


FIG. 9



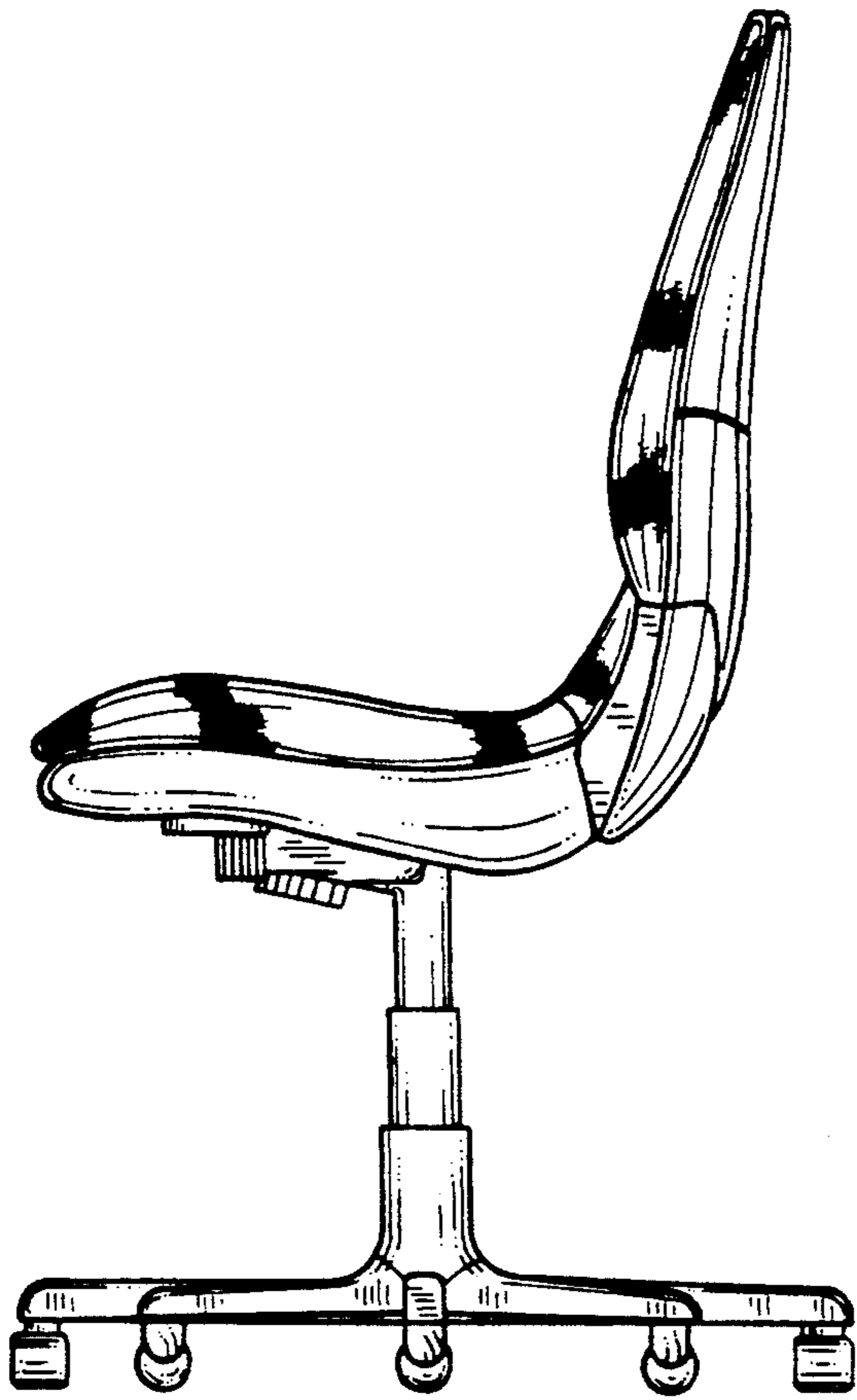


FIG. 10

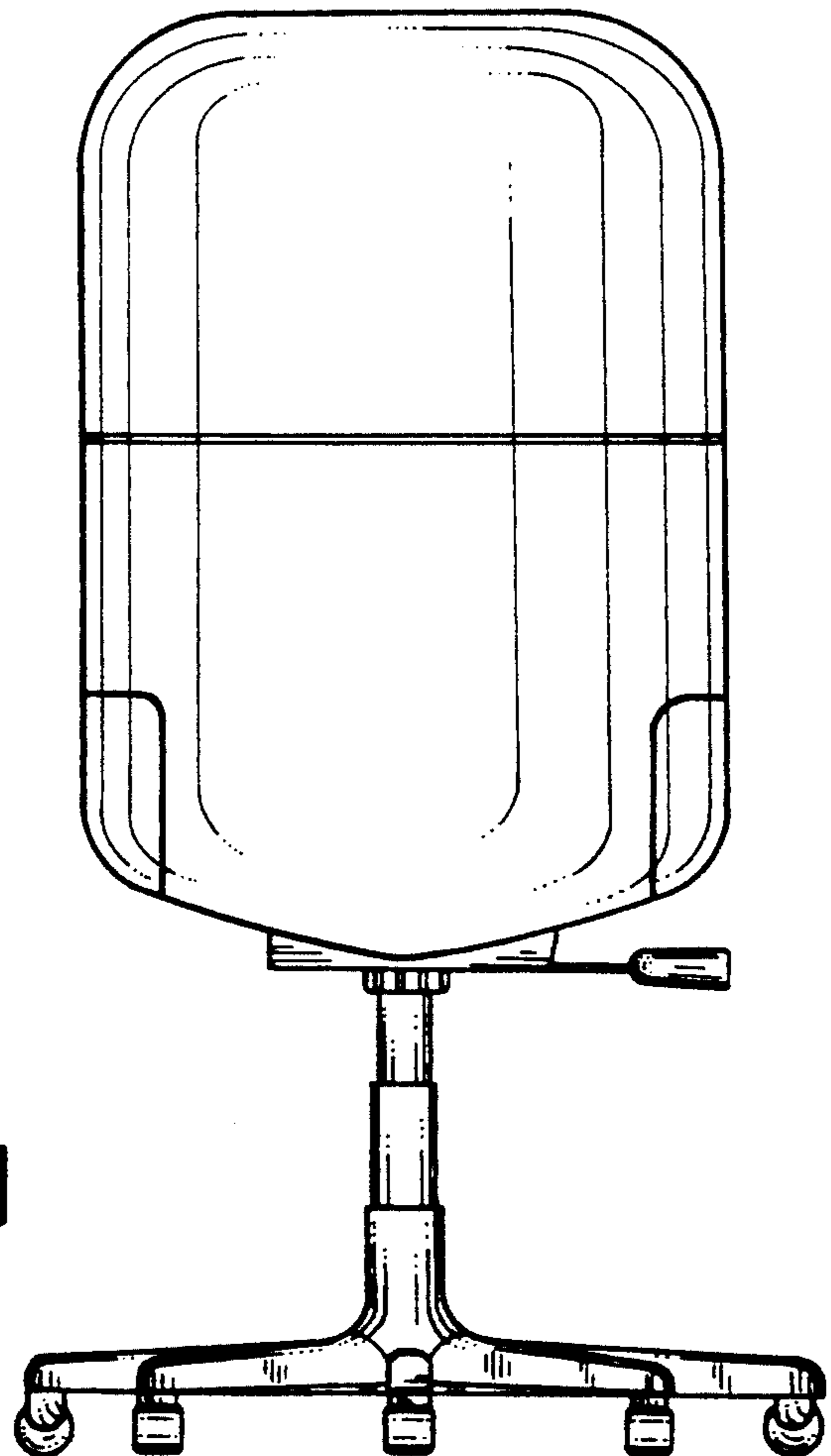


FIG. 11