



US00D336379S

United States Patent [19]

[11] Patent Number: **Des. 336,379**

Veneruso

[45] Date of Patent: **** Jun. 15, 1993**

[54] SEAT FOR VEHICLES, IN PARTICULAR FOR AIRCRAFTS

D. 239,148	3/1976	Smith et al.	D6/342
D. 249,306	9/1978	Bengtsson	D6/342
D. 257,918	1/1981	Reida et al.	D6/342 X
3,563,604	2/1971	Barecki	297/417

[75] Inventor: **Raffaele Veneruso**, Tor Tre Ponti - Latina, Italy

Primary Examiner—Alan P. Douglas
Assistant Examiner—Monica A. Hannon
Attorney, Agent, or Firm—Beveridge, DeGrandi, Weilacher & Young

[73] Assignee: **Aviointeriors, S.r.l.**, Latina, Italy

[**] Term: **14 Years**

[21] Appl. No.: **632,494**

[22] Filed: **Dec. 24, 1990**

[30] Foreign Application Priority Data

Jul. 30, 1990 [IT] Italy 35938 B/90

[52] U.S. Cl. **D6/356**

[58] Field of Search D6/336, 342, 356;
297/DIG. 1, DIG. 2, DIG. 3, 124, 229, 284.3,
417

[57] CLAIM

The ornamental design for a seat for vehicles, in particular for aircrafts, as shown and described.

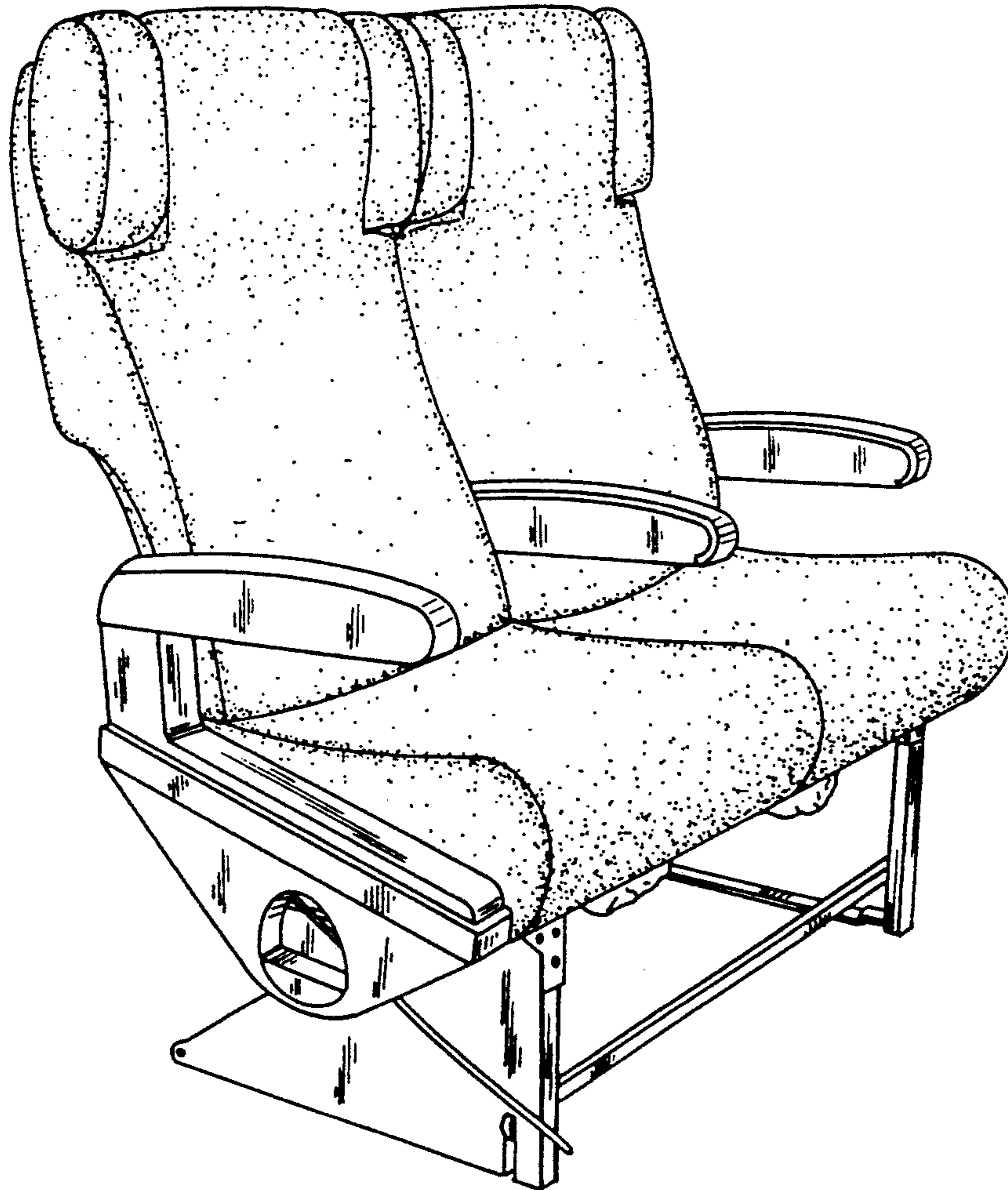
DESCRIPTION

FIG. 1 is a front elevational view of a seat for vehicles, in particular for aircraft's showing my new design; FIG. 2 is a rear view of the seats of FIG. 1; FIG. 3 is a first side view of the seats of FIG. 1; FIG. 4 is a second side view of the seats of FIG. 1; FIG. 5 is a rear three-quarters view of the seats of FIG. 1; and, FIG. 6 is a front three-quarters view of the seats of FIG. 1.

[56] References Cited

U.S. PATENT DOCUMENTS

D. 210,363	3/1968	Barecki	D6/356
D. 210,660	4/1968	Giudice	D6/342 X



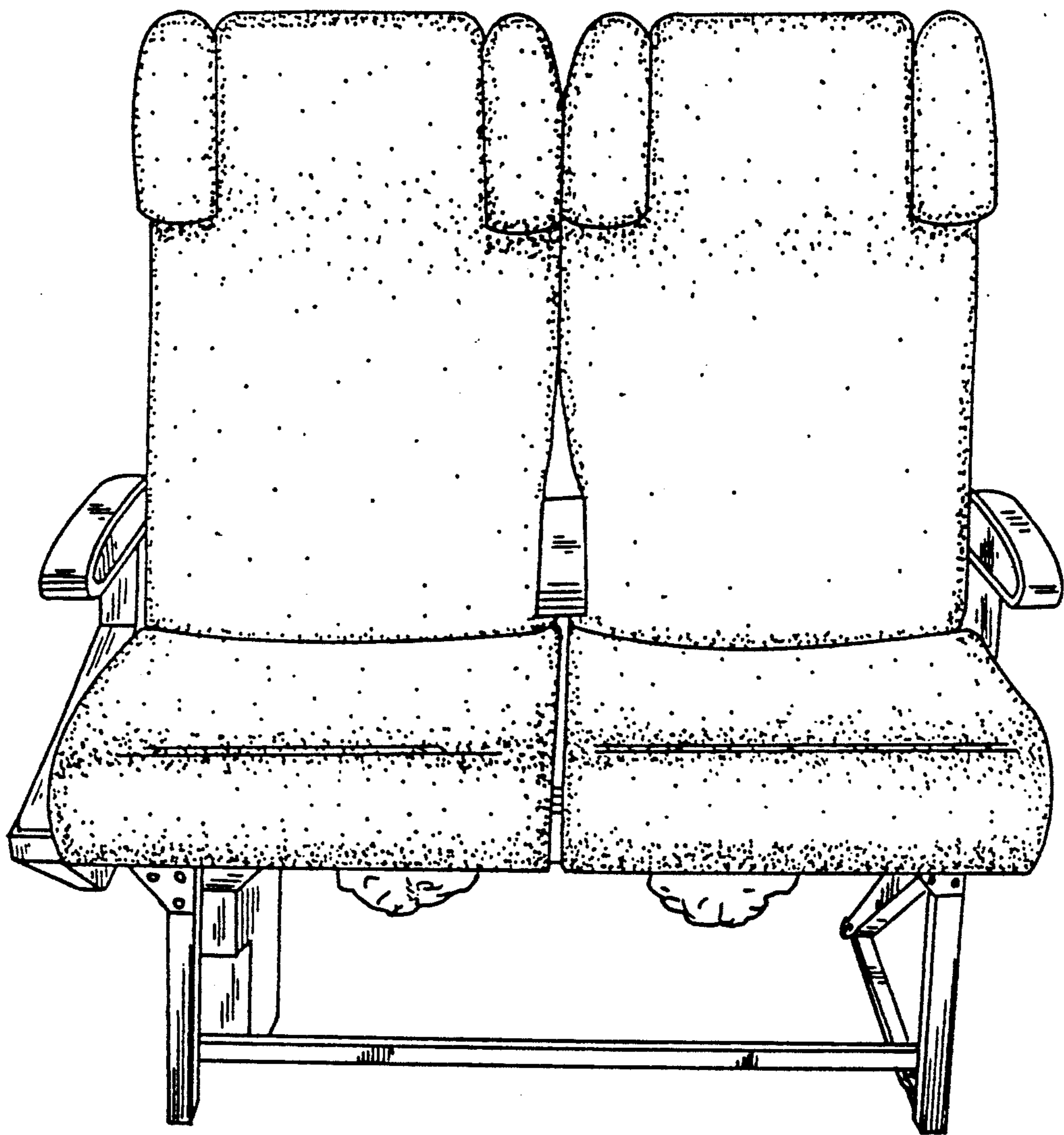


FIG. 1

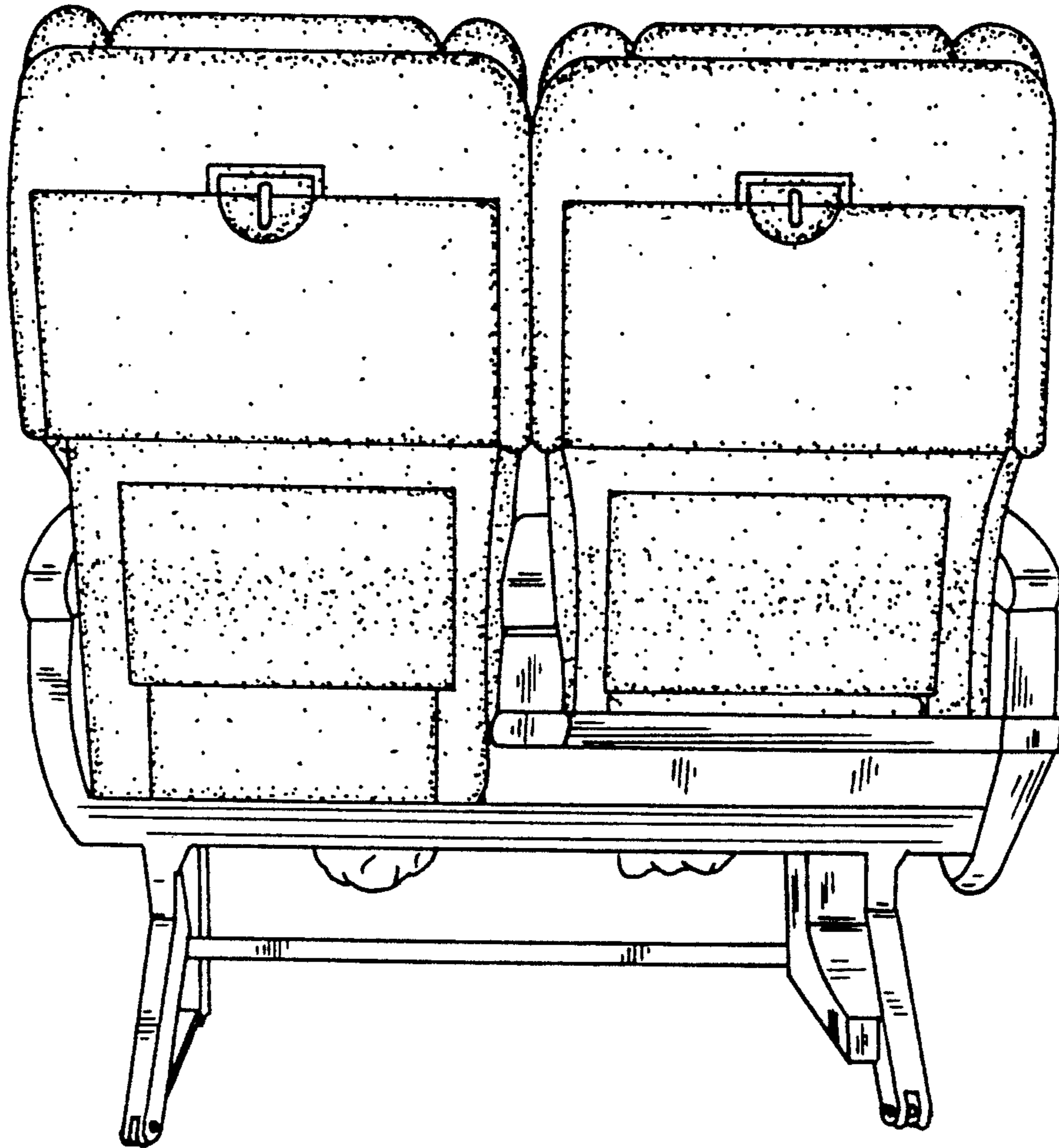


FIG. 2

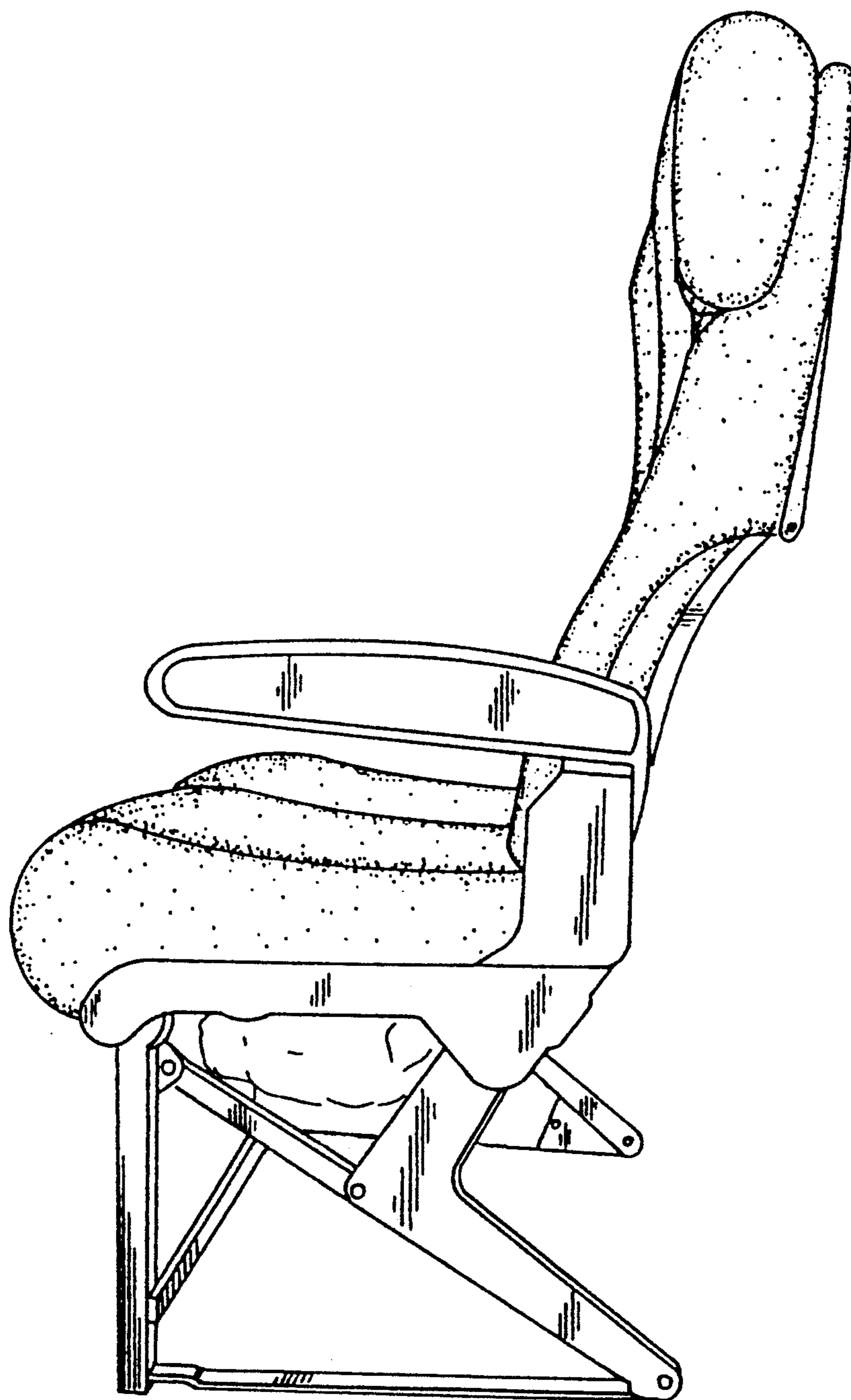


FIG. 3

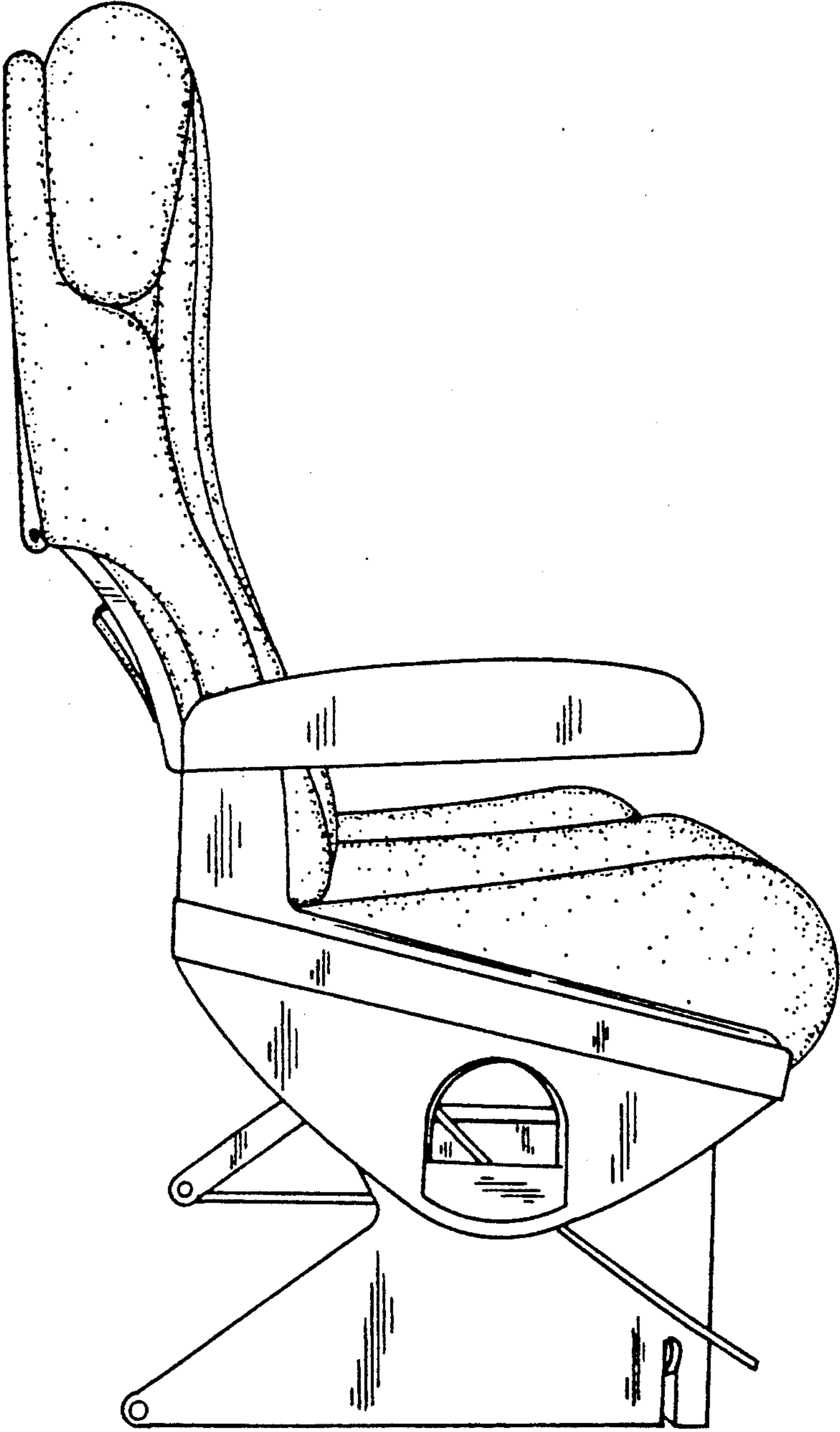


FIG. 4

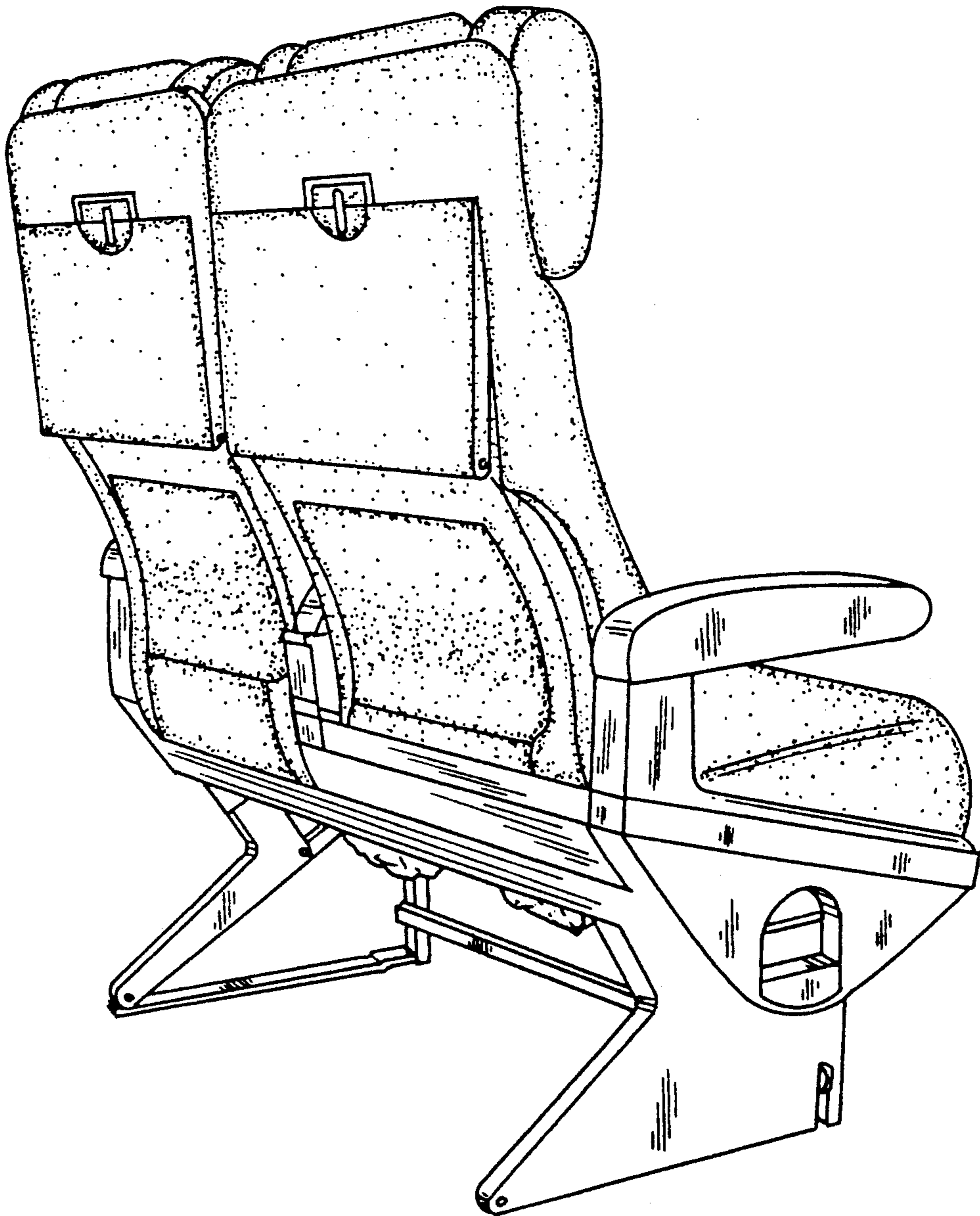


FIG. 5

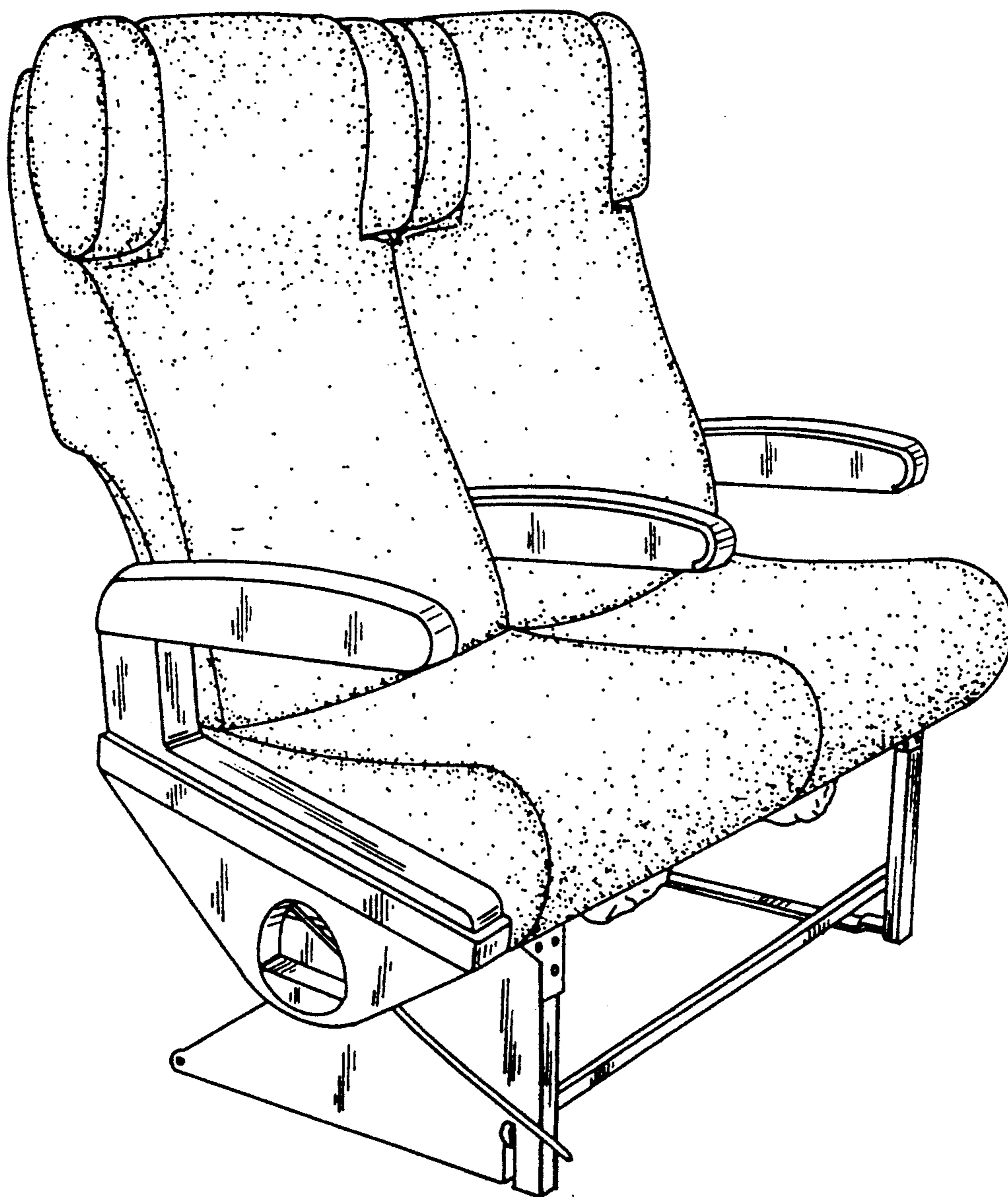


FIG. 6