



US00D336375S

United States Patent [19]

Cohn et al.

[11] Patent Number: **Des. 336,375**

[45] Date of Patent: **** Jun. 15, 1993**

[54] **DUAL USE STAND FOR A POCKET ELECTRONIC APPLIANCE**

D. 287,914 1/1987 Woolf D6/419
4,073,460 2/1978 Dale 248/441 R

[76] Inventors: **Arnold K. Cohn**, 1415 Meadow La.,
Glenview, Ill. 60025; **Charles W. Elterman**,
20777 N. Laurel Dr., Barrington, Ill. 60010

FOREIGN PATENT DOCUMENTS

415106 12/1966 Switzerland D6/553

[**] Term: **14 Years**

Primary Examiner—Carmen H. Vales-Lado
Attorney, Agent, or Firm—Dressler, Goldsmith, Shore,
Sutker & Milnamow, Ltd.

[21] Appl. No.: **544,171**

[57] CLAIM

[22] Filed: **Jun. 26, 1990**

The ornamental design for a dual use stand for a pocket electronic appliance, as shown and described.

[52] U.S. Cl. **D6/310**

[58] Field of Search D6/419, 420, 310-314,
D6/553, 555, 406; 248/452, 453, 456, 441 R;
D19/86, 90, 91

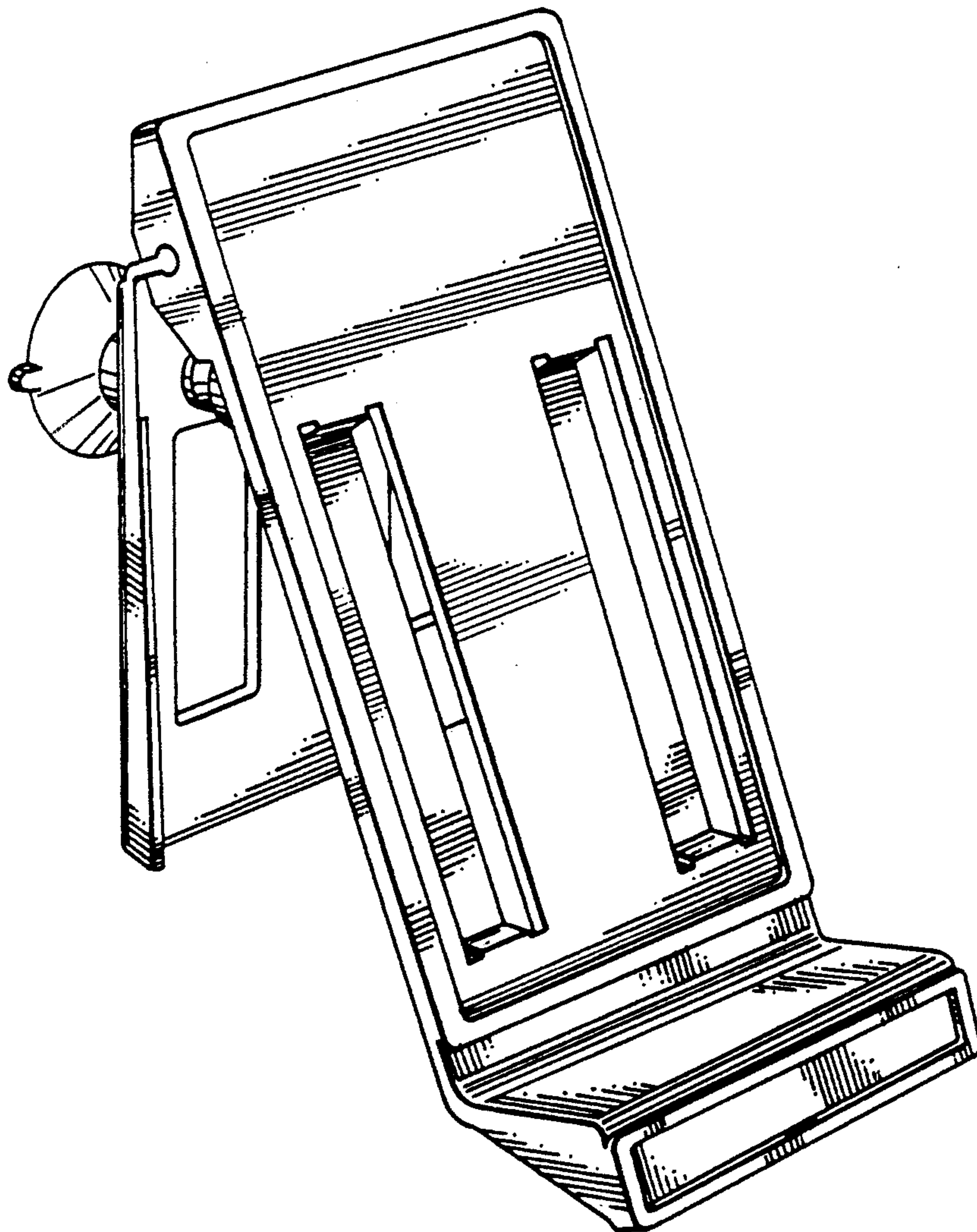
DESCRIPTION

[56] References Cited

U.S. PATENT DOCUMENTS

D. 221,191 7/1971 Nutt D19/91
D. 244,331 5/1977 Woods D19/91
D. 257,305 10/1980 Kaempkes D6/311

FIG. 1 is a perspective view of an appliance holder showing our new design;
FIG. 2 is a side elevational view thereof;
FIG. 3 is a front elevational view thereof;
FIG. 4 is a rear elevational view thereof;
FIG. 5 is a top plan view thereof; and,
FIG. 6 is a bottom plan view thereof.



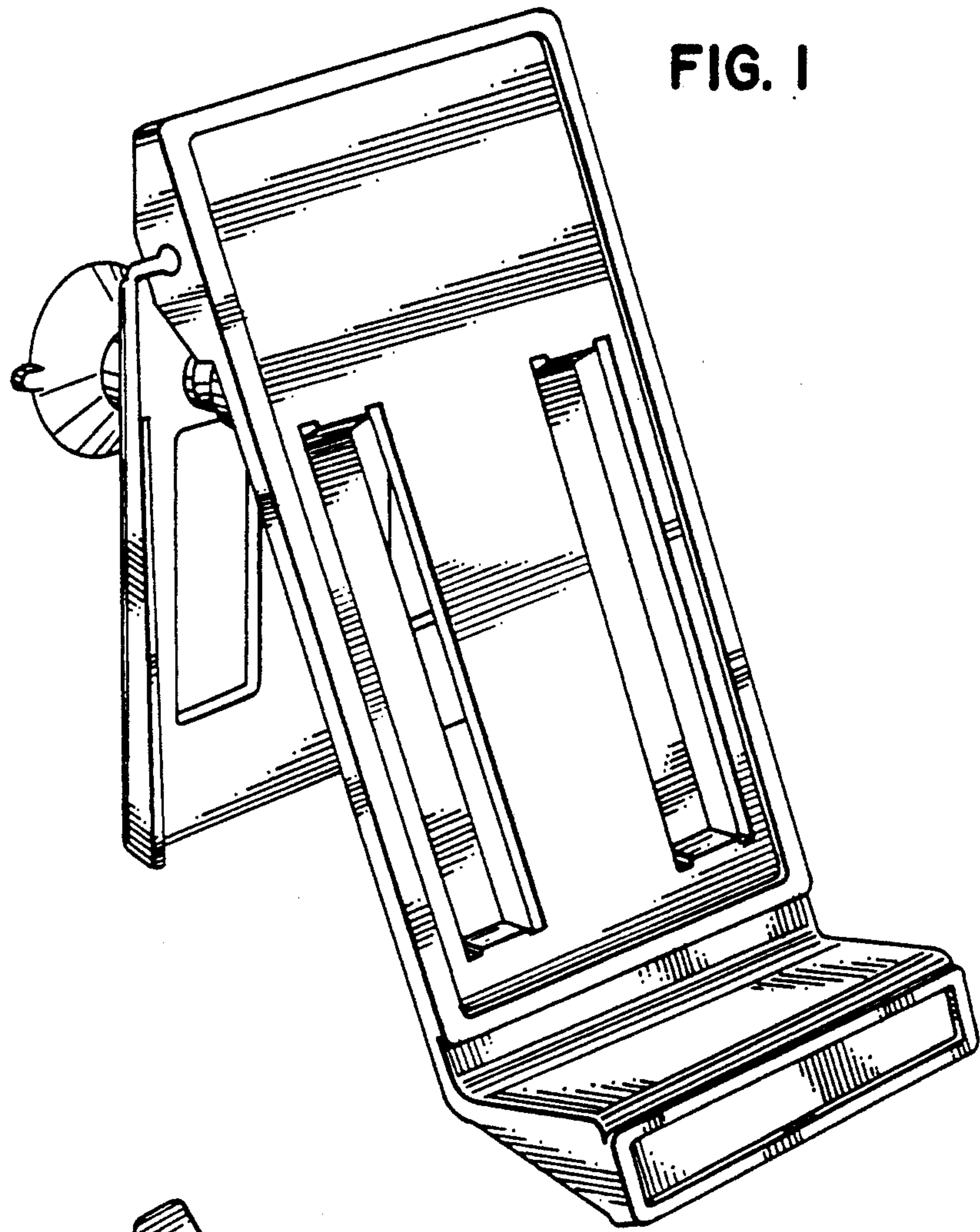


FIG. 2

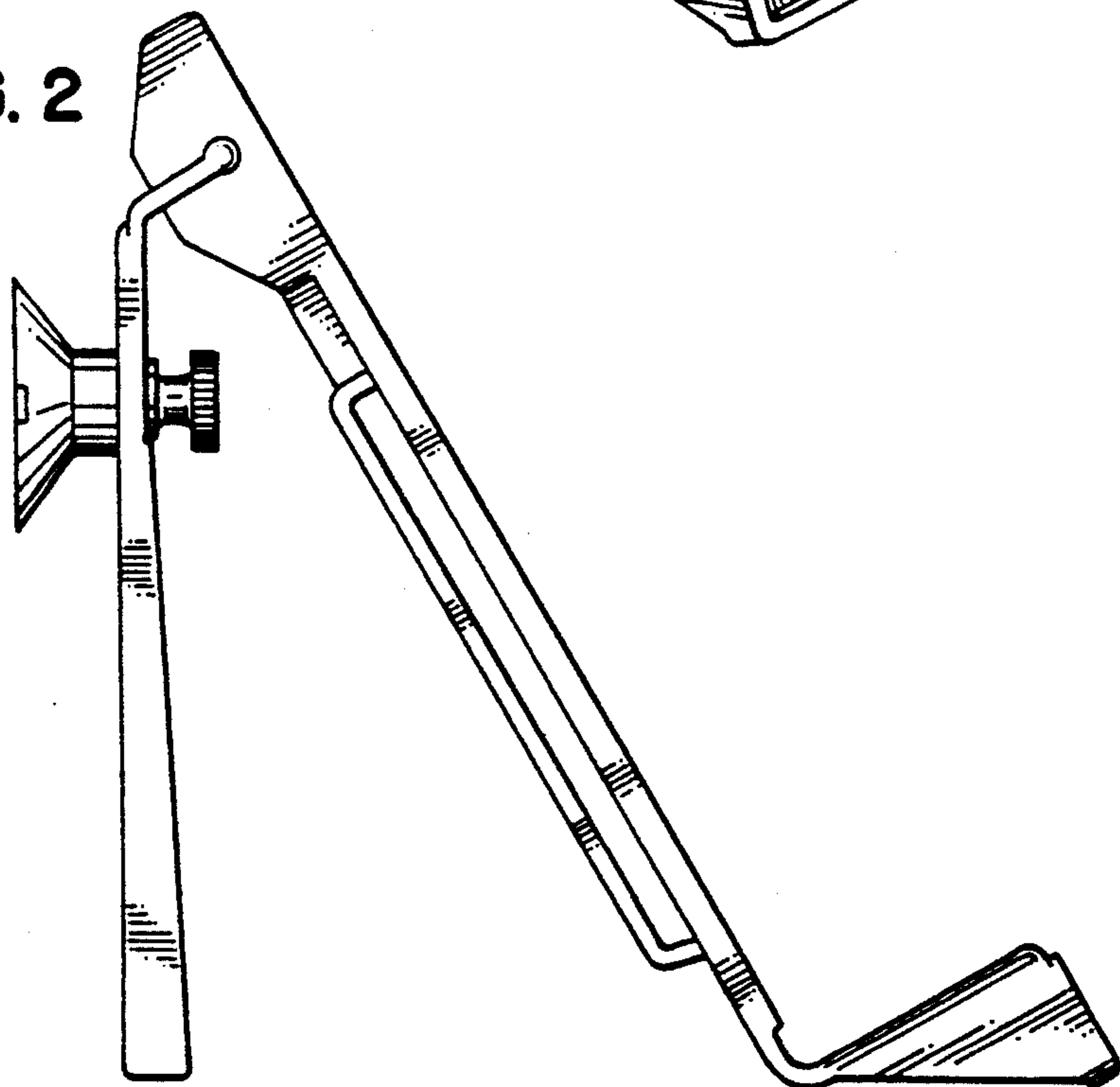


FIG. 3

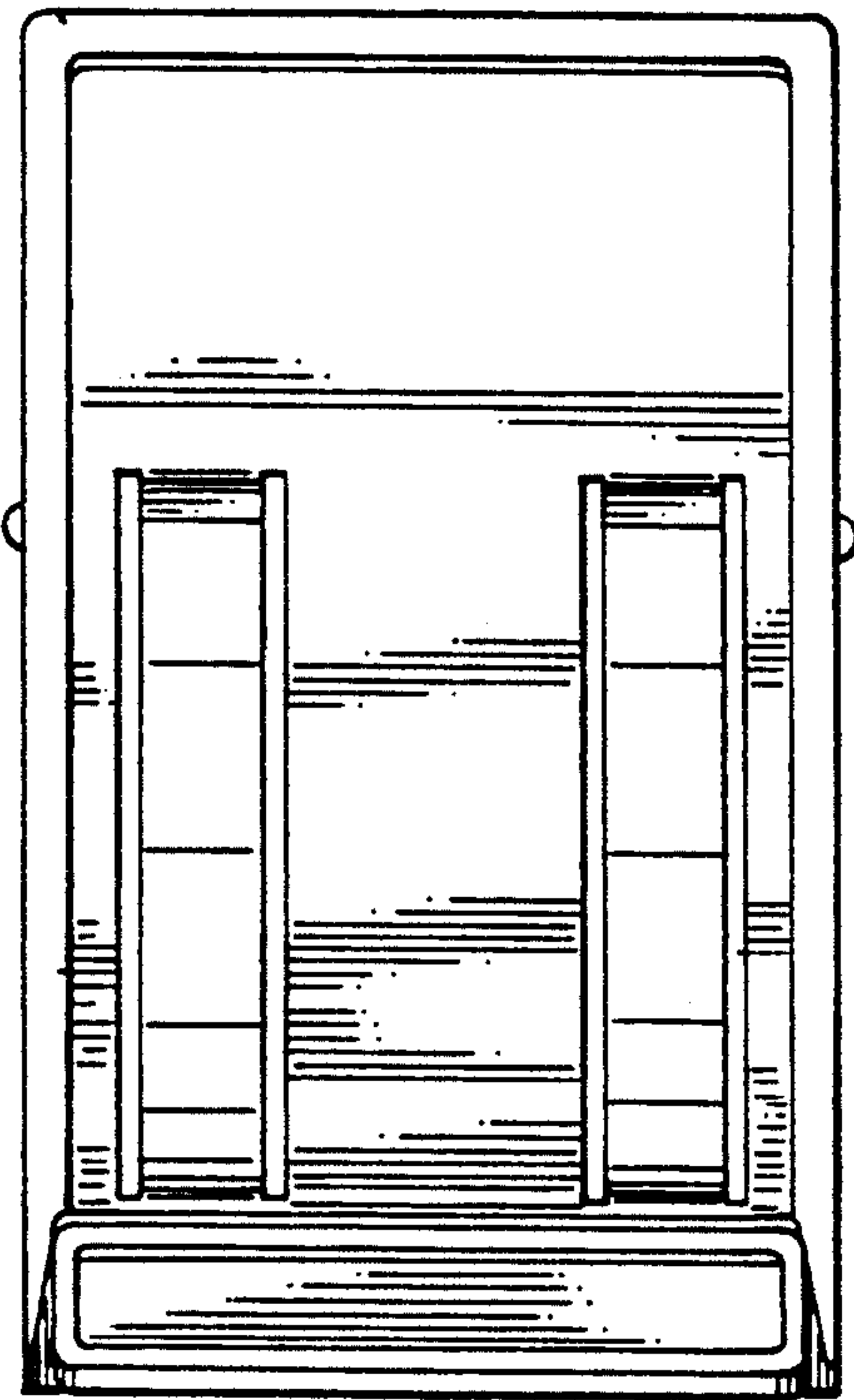


FIG. 4

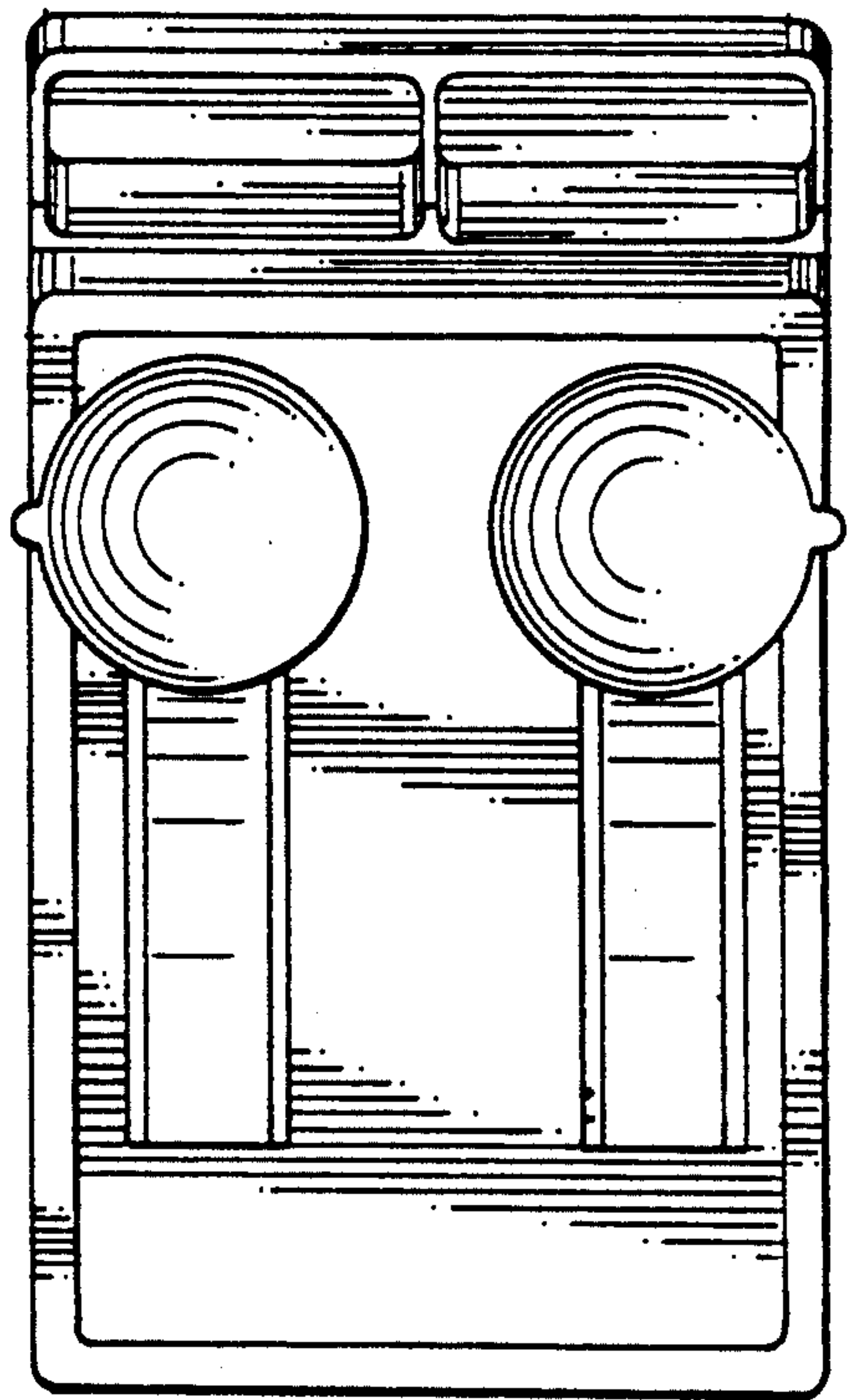


FIG. 5

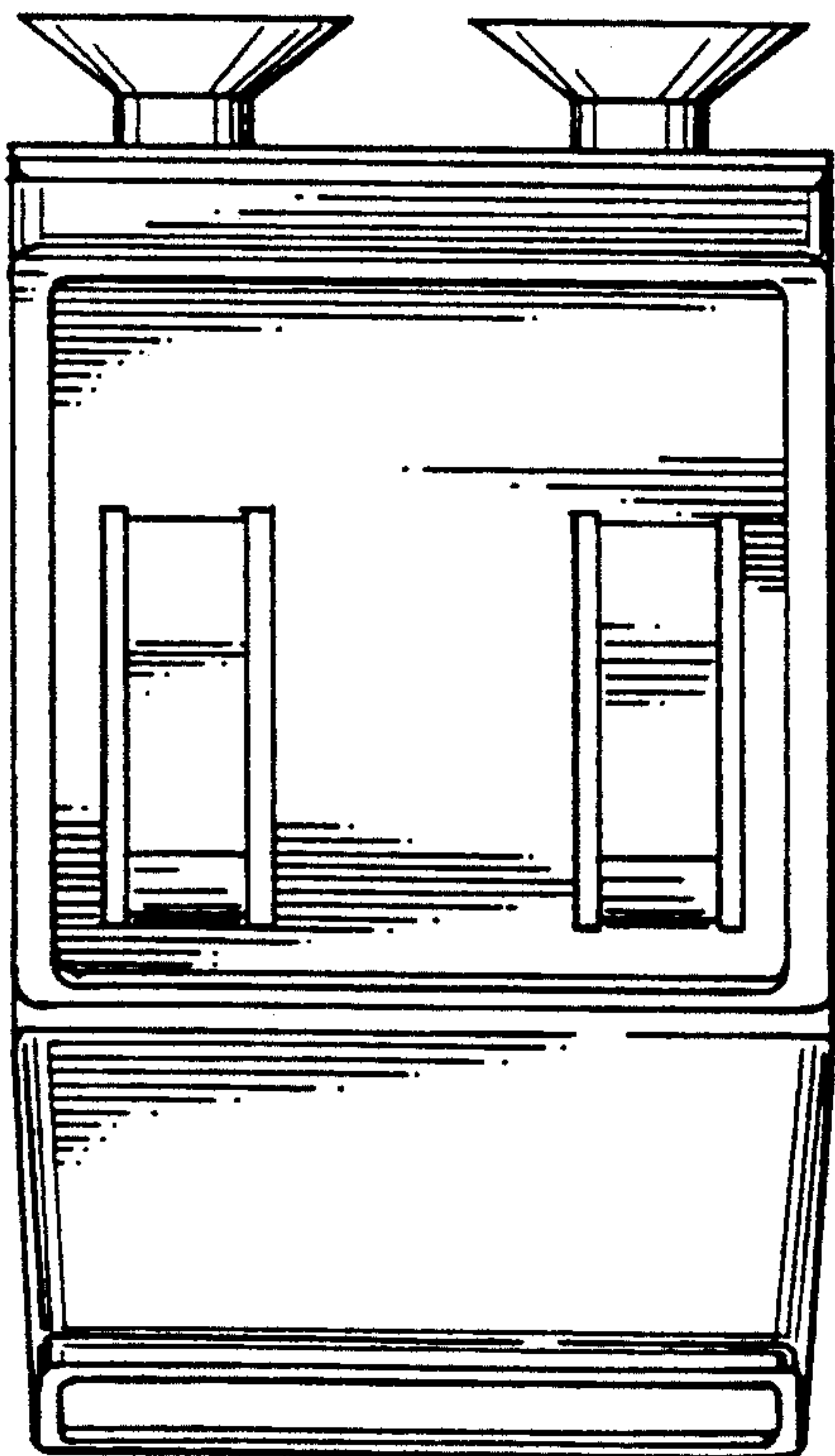


FIG. 6

