



US00D336371S

# United States Patent [19]

[11] Patent Number: **Des. 336,371**

Harris

[45] Date of Patent: **\*\* Jun. 15, 1993**

[54] PAINT ROLLER

2,645,845 7/1953 Vengris ..... 15/230.11 X  
4,237,575 12/1980 Mlachnik ..... 15/230.11

[76] Inventor: **Lance C. Harris**, 1105 108th SE.,  
Bellevue, Wash. 98004

*Primary Examiner*—Wallace R. Burke  
*Assistant Examiner*—Lavone D. Tabor  
*Attorney, Agent, or Firm*—Terry M. Gernstein

[\*\*] Term: **14 Years**

[21] Appl. No.: **741,151**

[57] **CLAIM**

[22] Filed: **Aug. 7, 1991**

The ornamental design for a paint roller, as shown and described.

[52] U.S. Cl. .... **D4/122**

[58] Field of Search ..... **D4/122, 199; 15/230,**  
**15/230.11, 143.1; 29/110.5, 120**

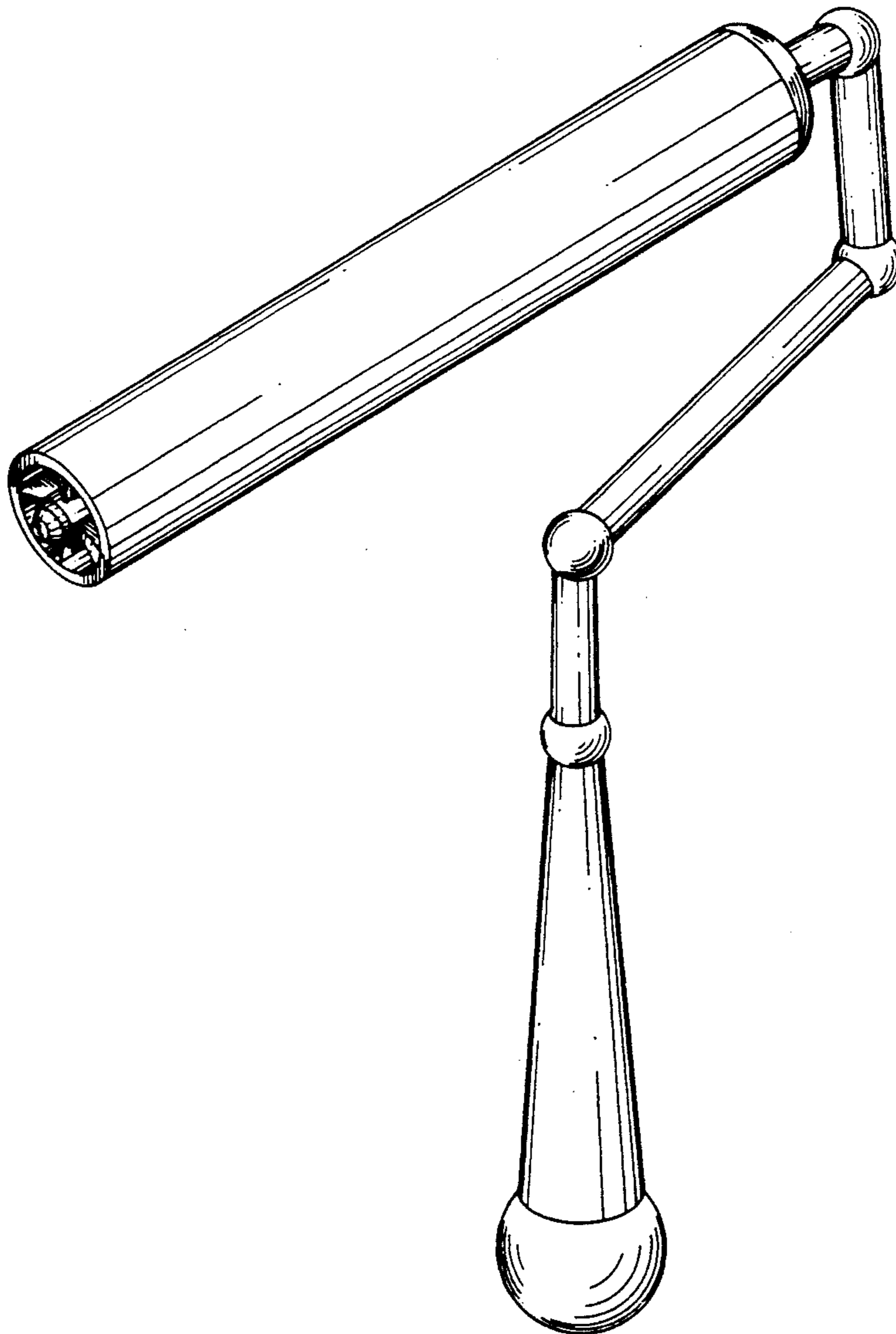
**DESCRIPTION**

[56] **References Cited**

**U.S. PATENT DOCUMENTS**

- D. 262,075 12/1981 Cooke ..... D4/122
- D. 280,468 9/1985 Miller et al. .... D4/122
- D. 284,237 6/1986 Cliche ..... D4/122
- 2,478,318 8/1949 Raub, Jr. .... 15/230.11 X

FIG. 1 is a perspective view of a paint roller embodying the design of the present invention;  
FIG. 2 is a front elevational view thereof, the rear being a mirror image of the front shown in FIG. 2;  
FIG. 3 is a side elevational view thereof;  
FIG. 4 is a side elevational view thereof;  
FIG. 5 is a top plan view thereof; and,  
FIG. 6 is a bottom view thereof.



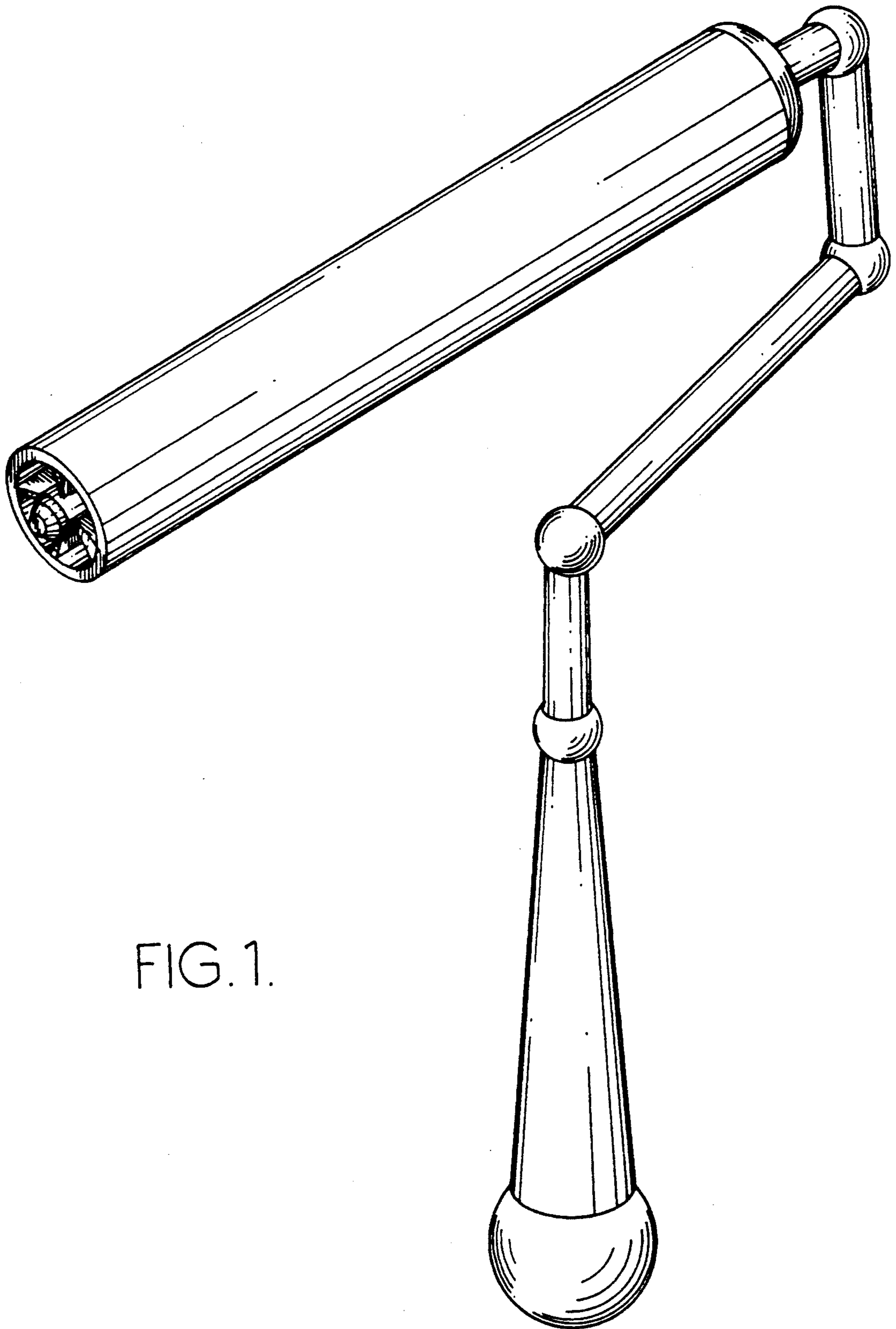


FIG. 1.

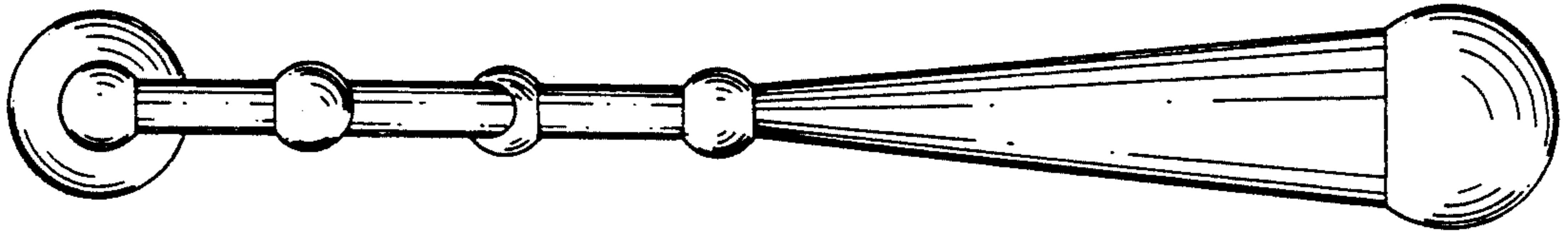


FIG. 3.

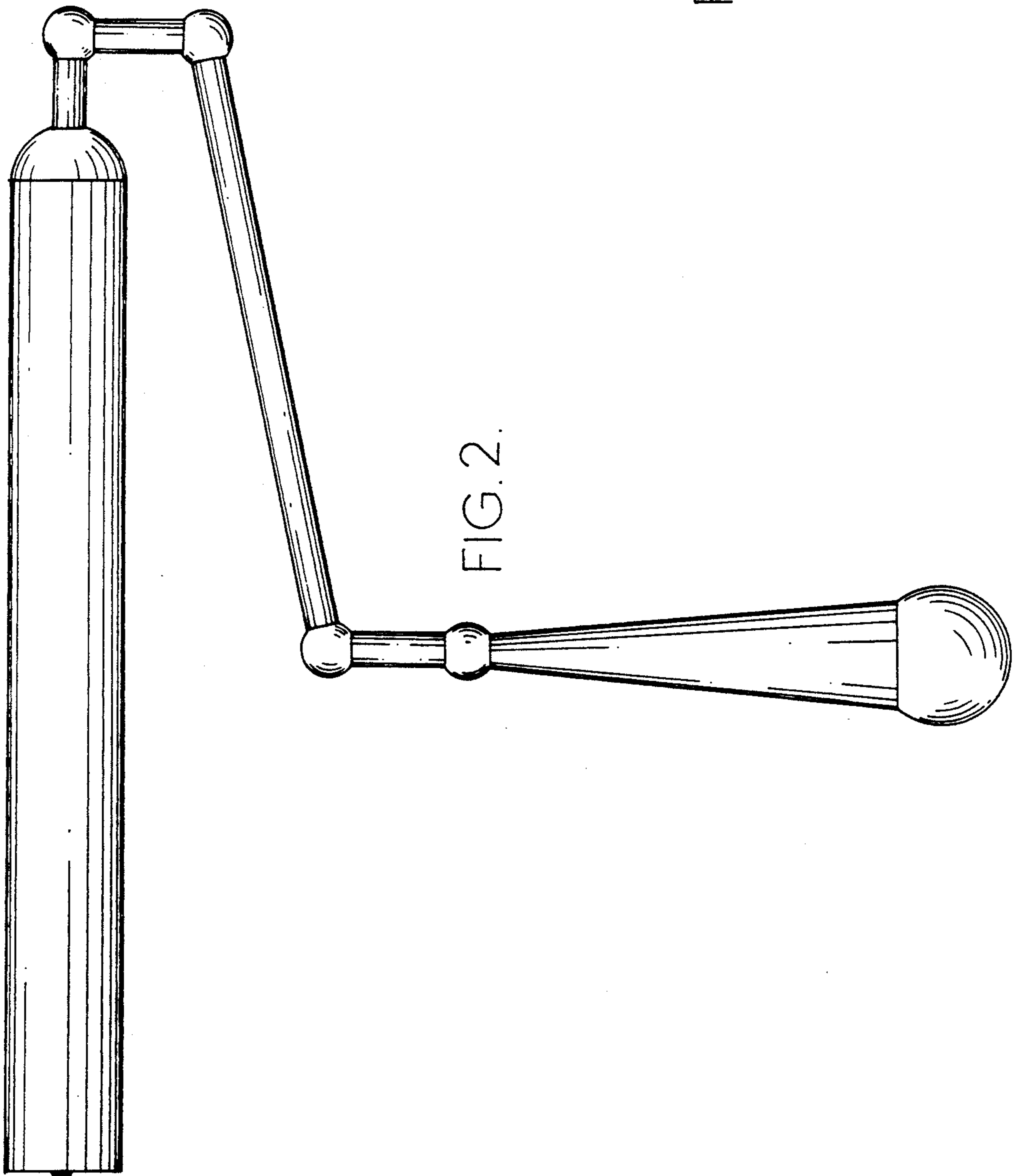


FIG. 2.

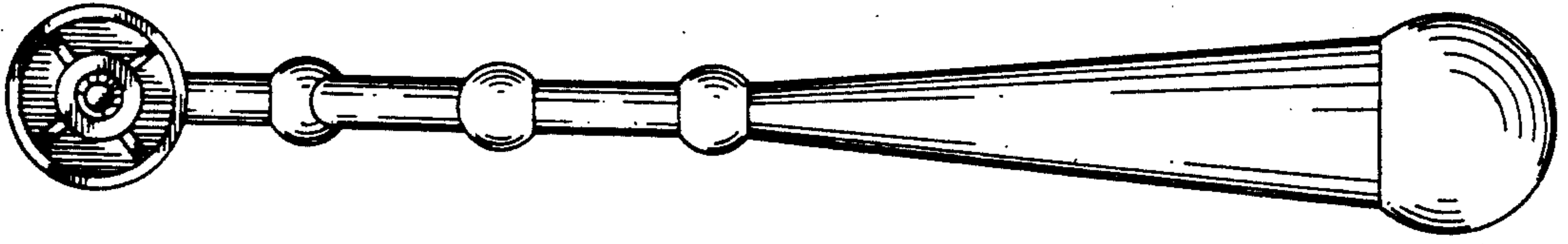


FIG. 4.

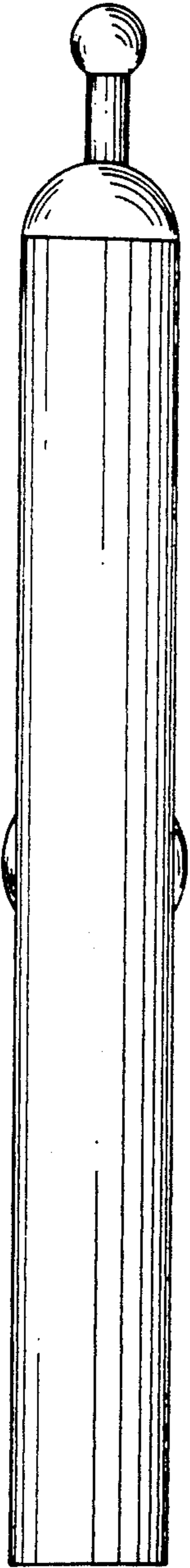


FIG. 5.

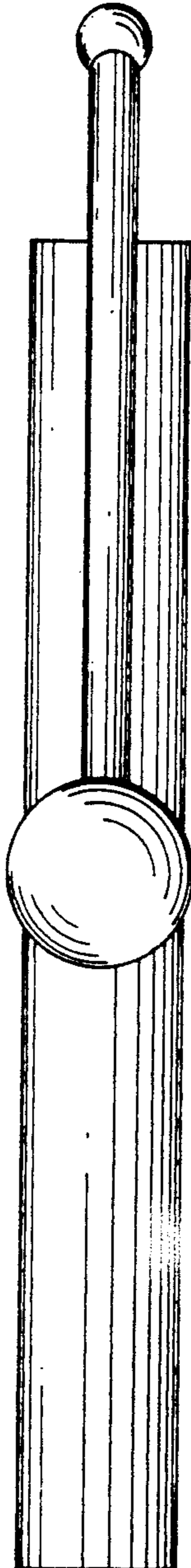


FIG. 6.