



US00D336370S

United States Patent [19]

[11] Patent Number: **Des. 336,370**

Hunt

[45] Date of Patent: **** Jun. 15, 1993**

- [54] **PAINT ROLLER CEILING SHIELD WITH FELT APPLICATOR FOR PAINTING A WALL UP TO THE CEILING**
- [76] Inventor: **Morris C. Hunt**, 41926 Camino Santa Barbara, Fremont, Calif. 94538
- [**] Term: **14 Years**
- [21] Appl. No.: **525,635**
- [22] Filed: **May 21, 1990**
- [52] U.S. Cl. **D4/116; D4/122; D4/137**
- [58] Field of Search **D4/114, 122; D32/53.1; 15/230.11, 246, 248 R, 248 A; 401/15-16, 21, 197, 207**

Attorney, Agent, or Firm—Linval B. Castle

[57] CLAIM

The ornamental design for a paint roller ceiling shield with felt applicator for painting a wall up to the ceiling, as shown and described.

DESCRIPTION

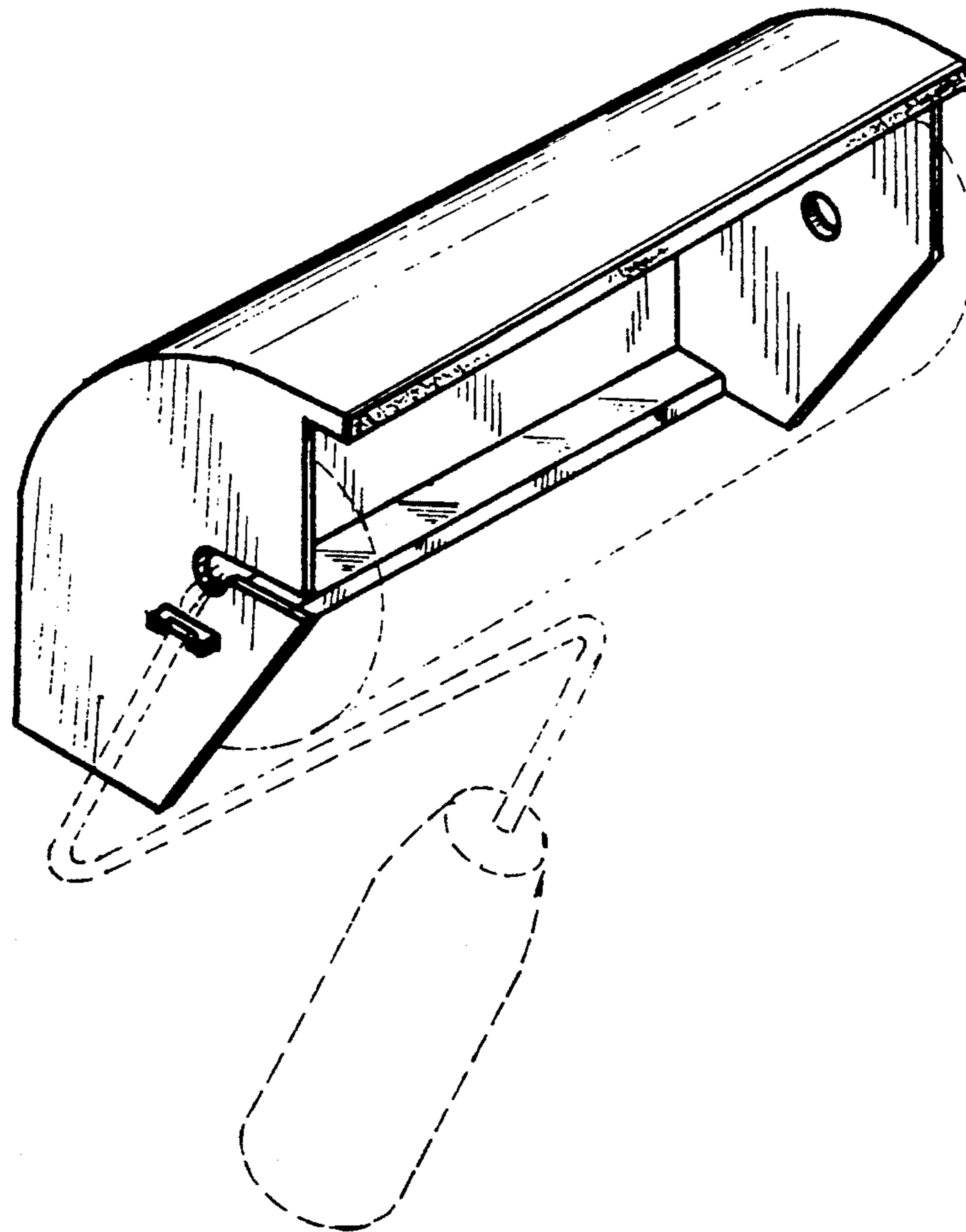
FIG. 1 is a perspective view of a paint roller ceiling shield with felt applicator for painting a wall up to the ceiling illustrating my new design;
 FIG. 2 is an enlarged end view thereof;
 FIG. 3 is a left end view thereof;
 FIG. 4 is a frontal elevational view looking into the shield;
 FIG. 5 is a rear elevational view thereof;
 FIG. 6 is a top plan view thereof; and,
 FIG. 7 is a bottom plan view thereof.

The broken line showing of a paint roller is for illustrative purposes only and forms no part of the claimed design.

The surface pattern, which is partially shown for ease of illustration in FIGS. 1 and 4, represents a felt material and is understood to repeat throughout the areas indicated.

- [56] **References Cited**
- U.S. PATENT DOCUMENTS**
- 3,058,145 10/1962 Hegedus D4/114 X
- 3,274,637 9/1966 Schulze..... 15/248 A X
- 3,346,899 10/1967 Murphy D4/122 X
- 4,821,362 4/1989 Kolb 15/248 A

Primary Examiner—Wallace R. Burke
Assistant Examiner—Lavone D. Tabor



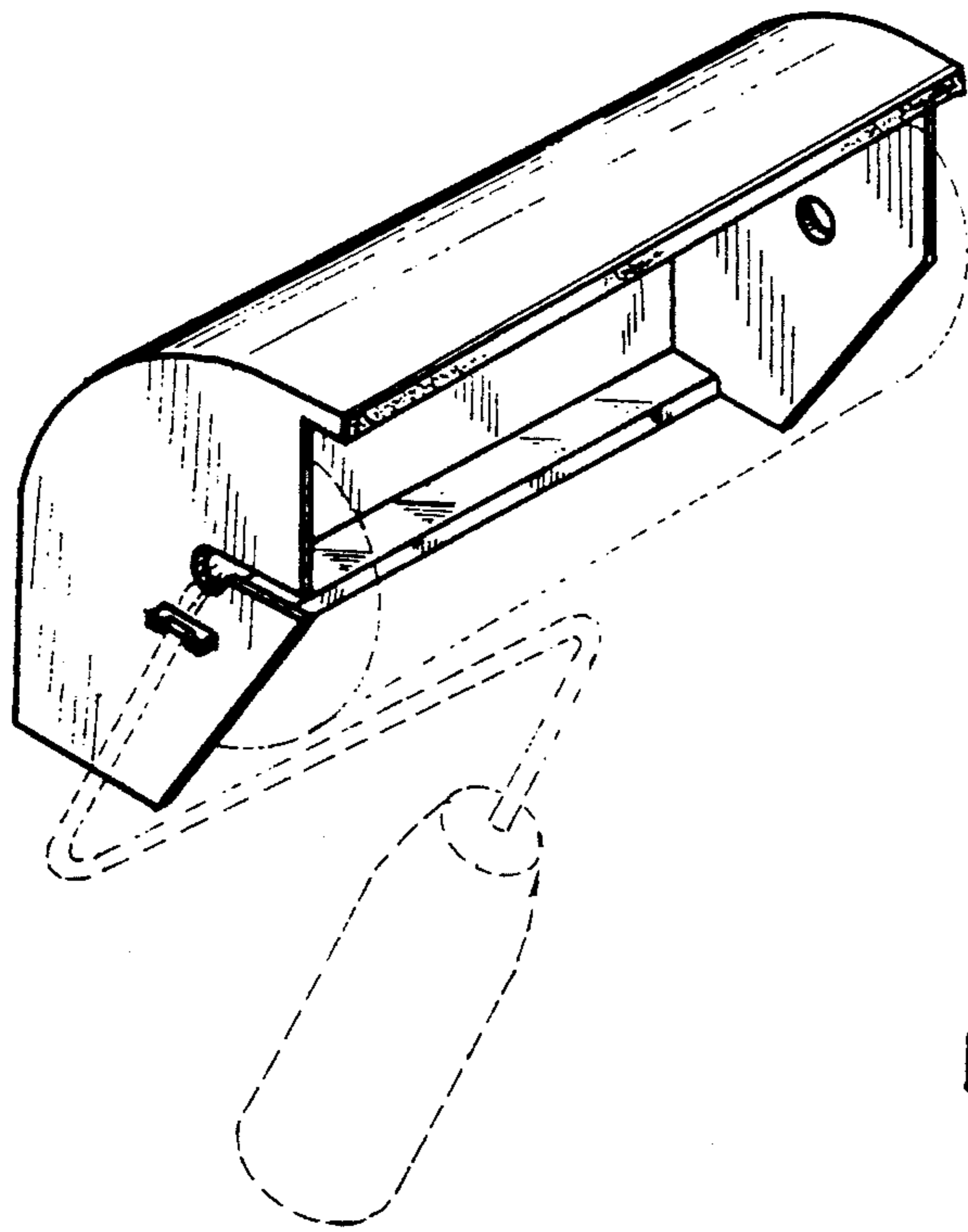


FIG. 1

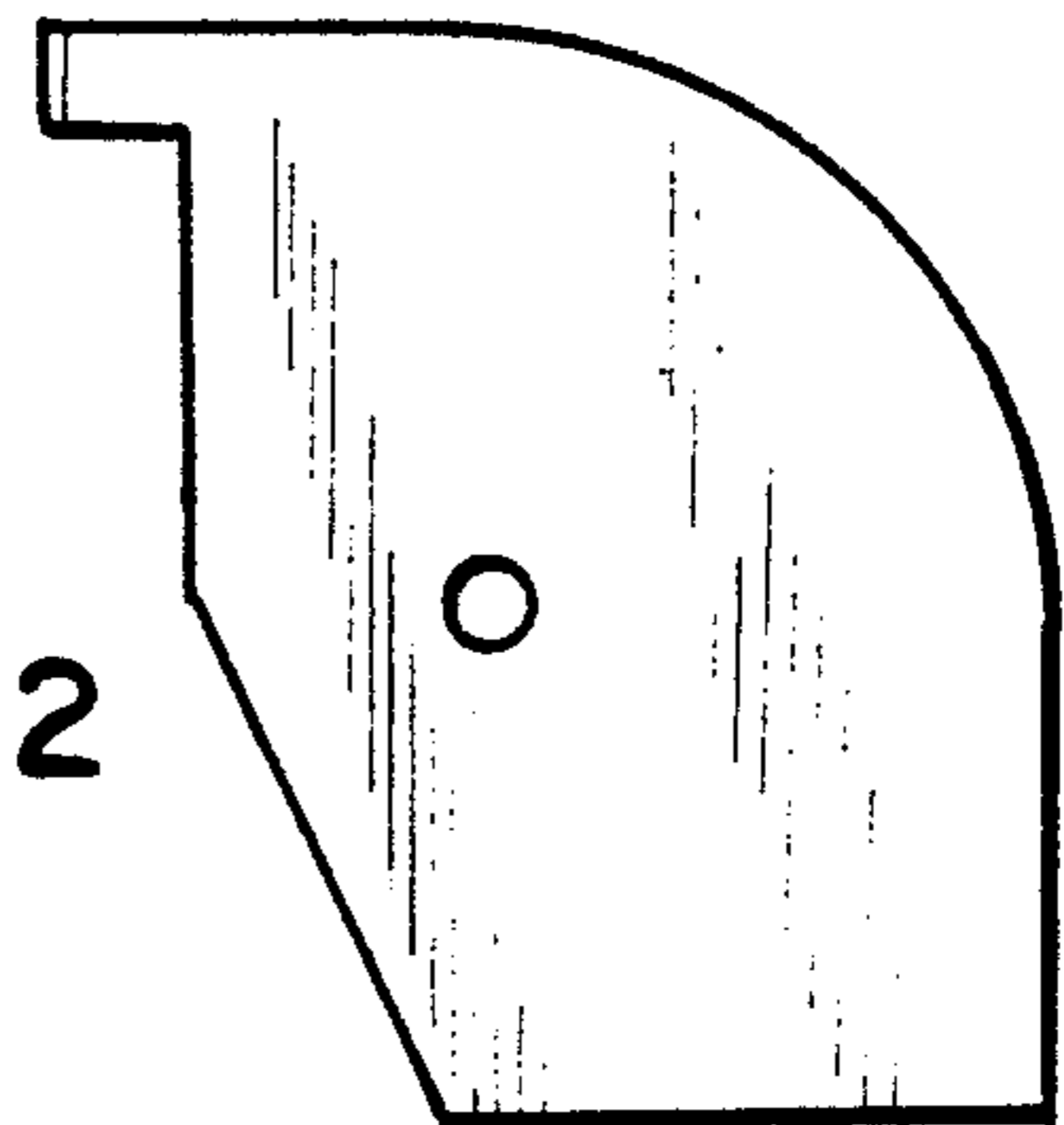


FIG. 2

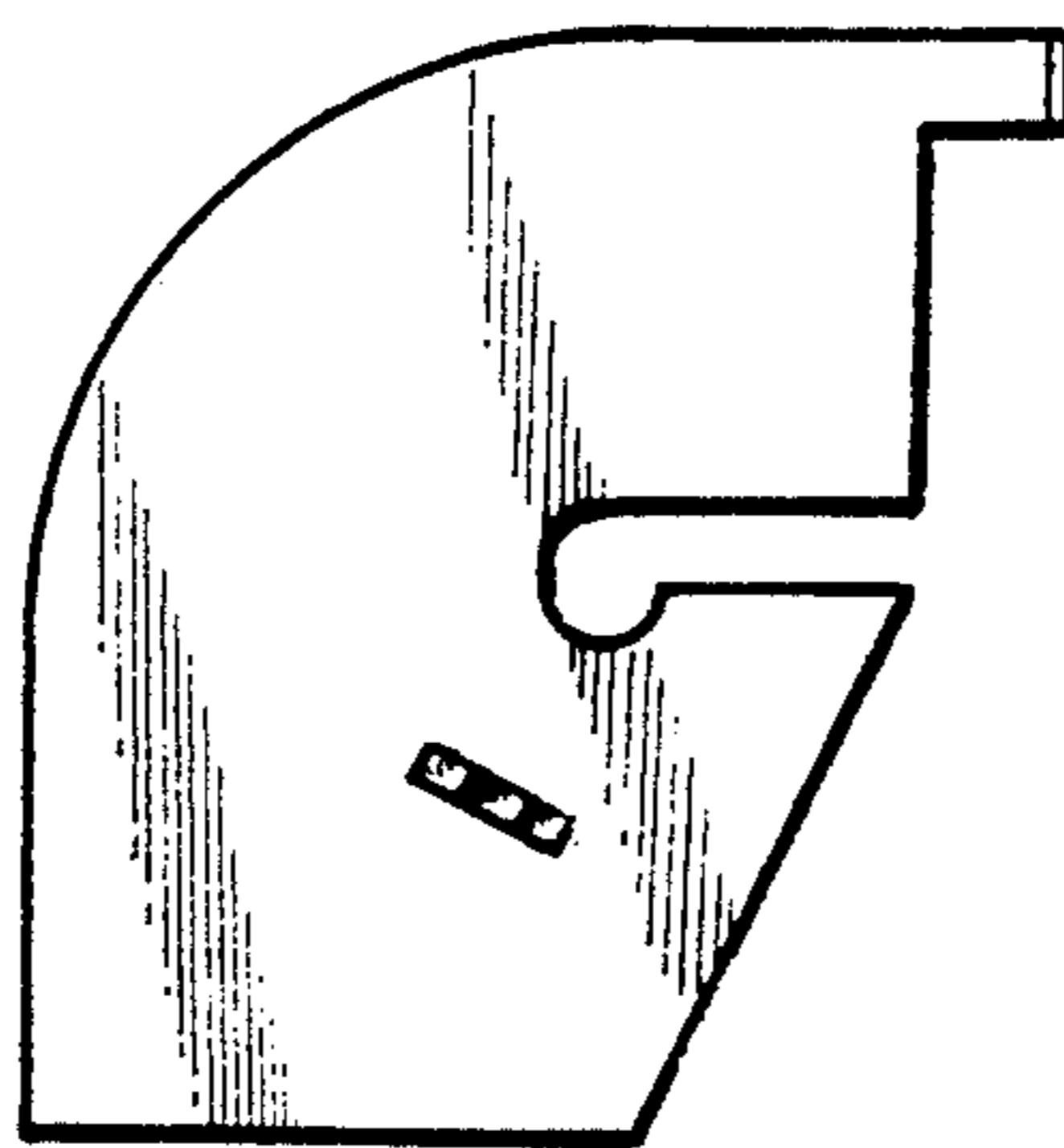
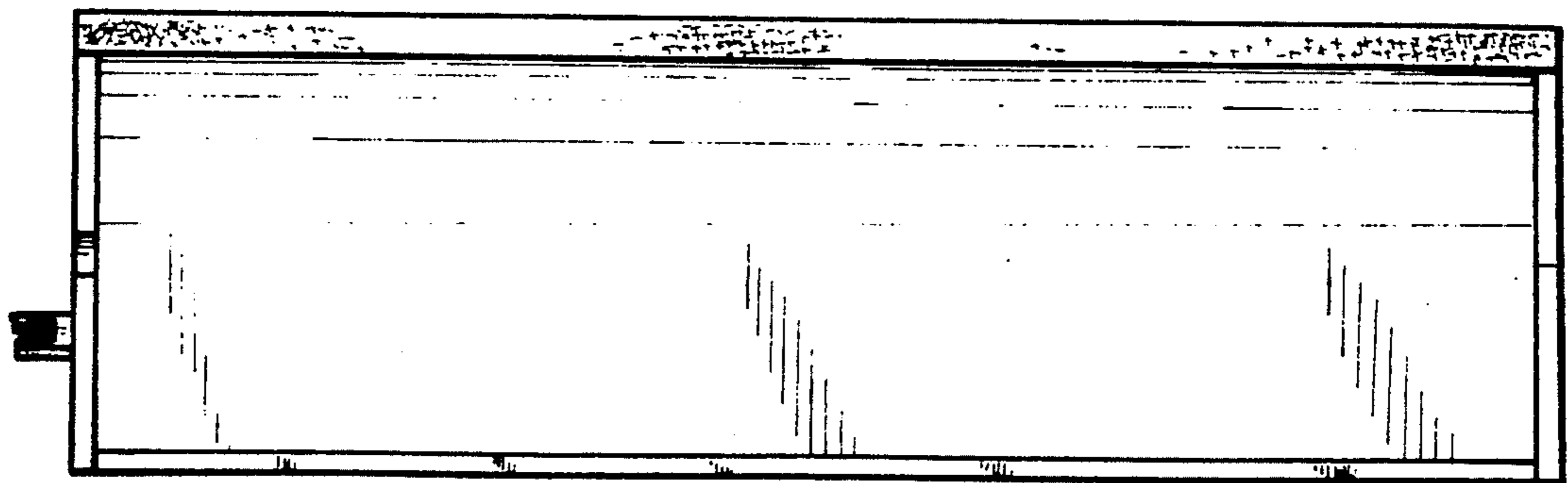


FIG. 3

FIG. 4



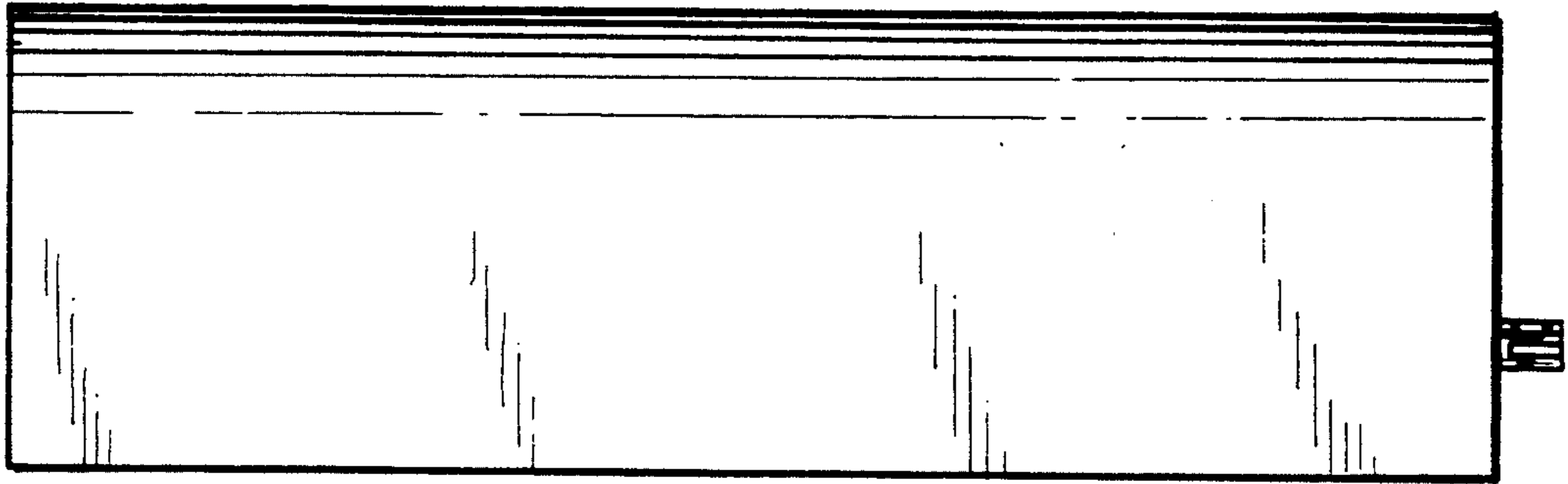


FIG. 5

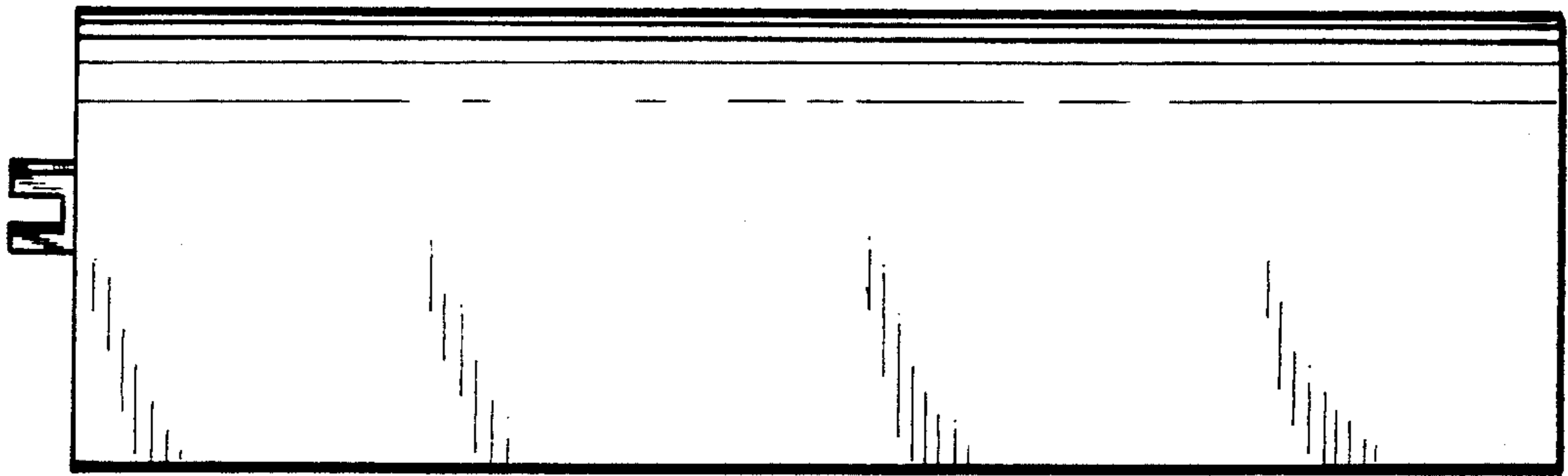


FIG. 6

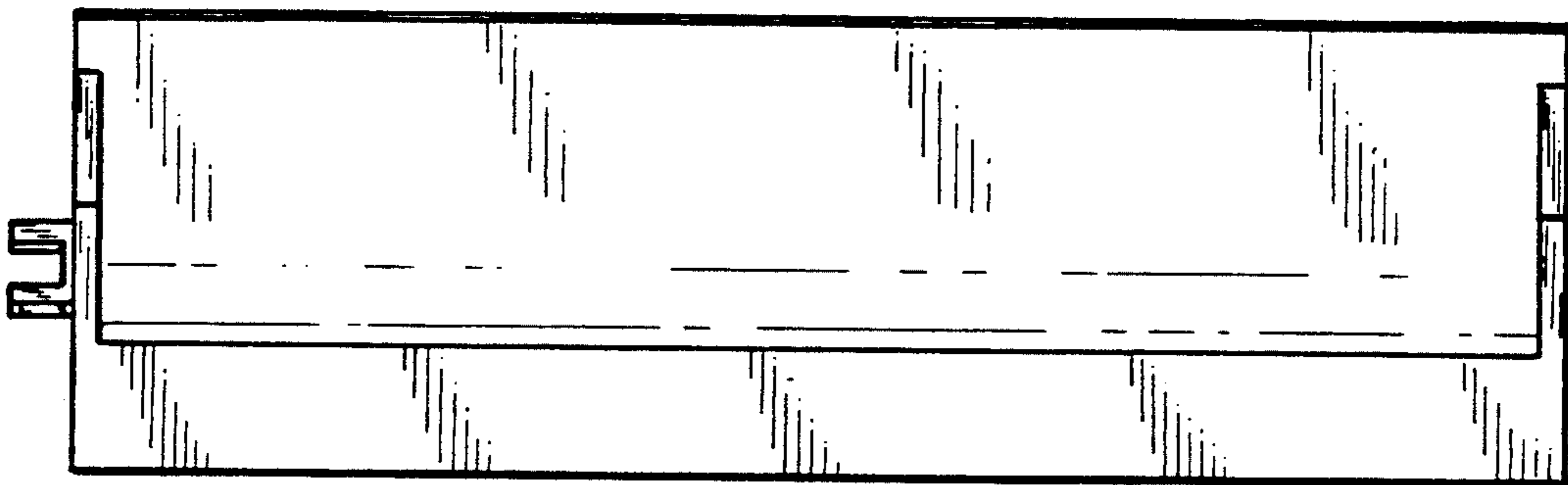


FIG. 7