



US00D336366S

United States Patent [19]

[11] Patent Number: **Des. 336,366**

Slayton

[45] Date of Patent: **** Jun. 15, 1993**

[54] **CASE FOR CHILD'S ACTIVITY SUPPLIES**

3,506,324	4/1970	Fristedt	D3/30.1
4,836,783	6/1989	Harper .	
4,998,883	3/1991	Brinkley .	
5,100,324	3/1992	Slayton .	

[75] Inventor: **Nancy D. Slayton**, West Carrollton, Ohio

[73] Assignee: **Dart Industries Inc.**, Deerfield, Ill.

Primary Examiner—A. Hugo Word
Assistant Examiner—Celia A. Murphy
Attorney, Agent, or Firm—John A. Doninger

[**] Term: **14 Years**

[21] Appl. No.: **560,971**

[57] **CLAIM**

[22] Filed: **Jul. 31, 1990**

The ornamental design for a case for child's activity supplies, as shown and described.

[52] U.S. Cl. **D3/73; D3/30.1; D19/35**

DESCRIPTION

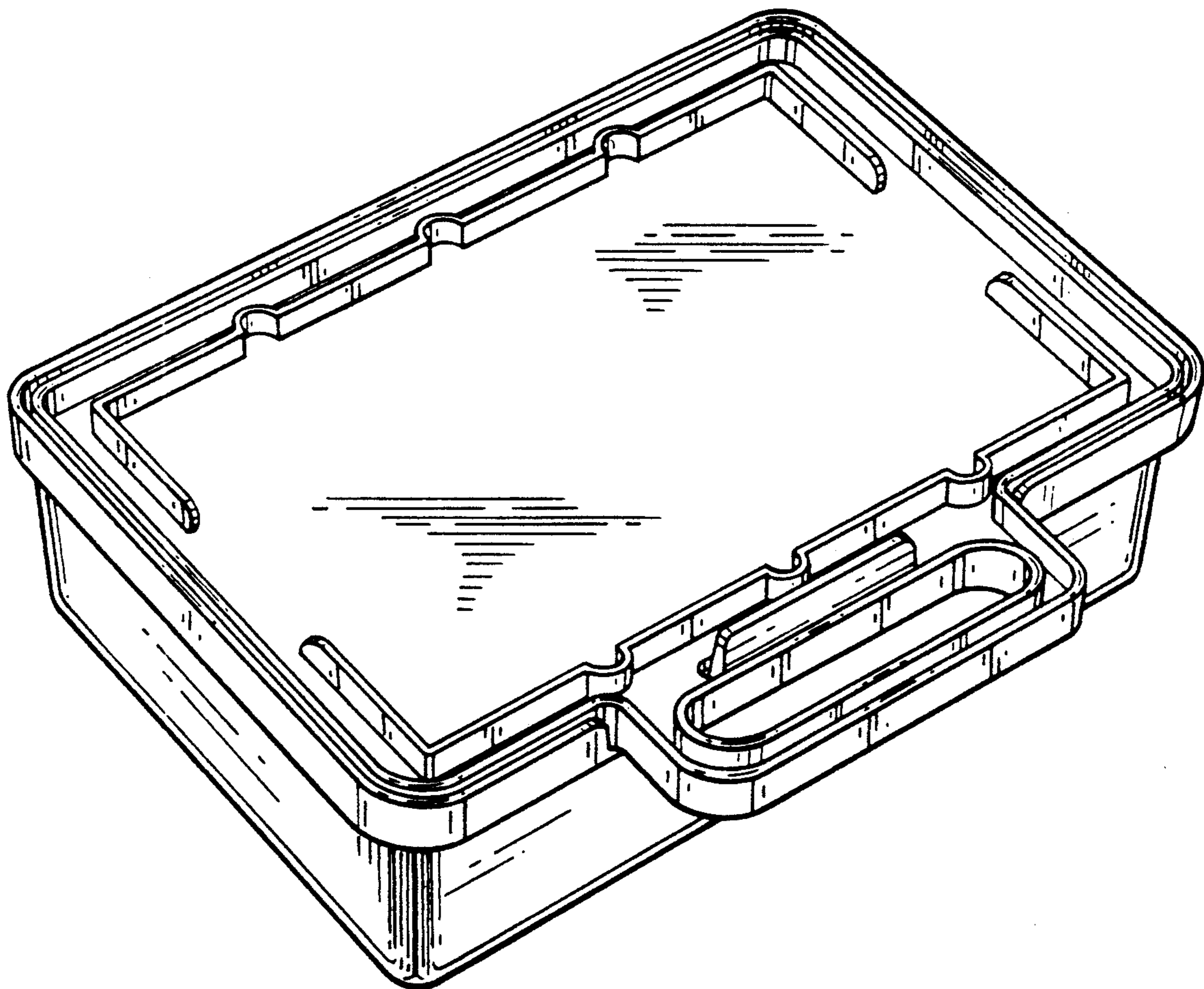
[58] Field of Search **D3/30.1, 73, 74, 99; D19/35; 206/1.7, 1.8, 3; 434/87, 85**

FIG. 1 is a perspective view of a case for child's activity supplies showing my new design; FIG. 2 is a top plan view thereof; FIG. 3 is a bottom plan view thereof; FIG. 4 is a front elevational view thereof; FIG. 5 is a rear elevational view thereof; FIG. 6 is a left side elevational view thereof; FIG. 7 is a right side elevational view thereof; FIG. 8 is a cross-sectional view taken along line 8—8 of FIG. 2; and, FIG. 9 is a cross-sectional view taken along line 9—9 of FIG. 2.

[56] **References Cited**

U.S. PATENT DOCUMENTS

259,167	5/1981	Daenen .	
D. 262,839	2/1982	Daenen	D3/74
D. 266,628	10/1982	Airlie	D3/73
D. 313,505	1/1991	Leopldi et al.	D3/74
D. 314,667	2/1991	Hussain	D3/73
D. 319,074	8/1991	Robinson	D3/30.1
2,531,189	11/1950	Abel	206/1.8
3,352,616	11/1967	Linger	D3/30.1



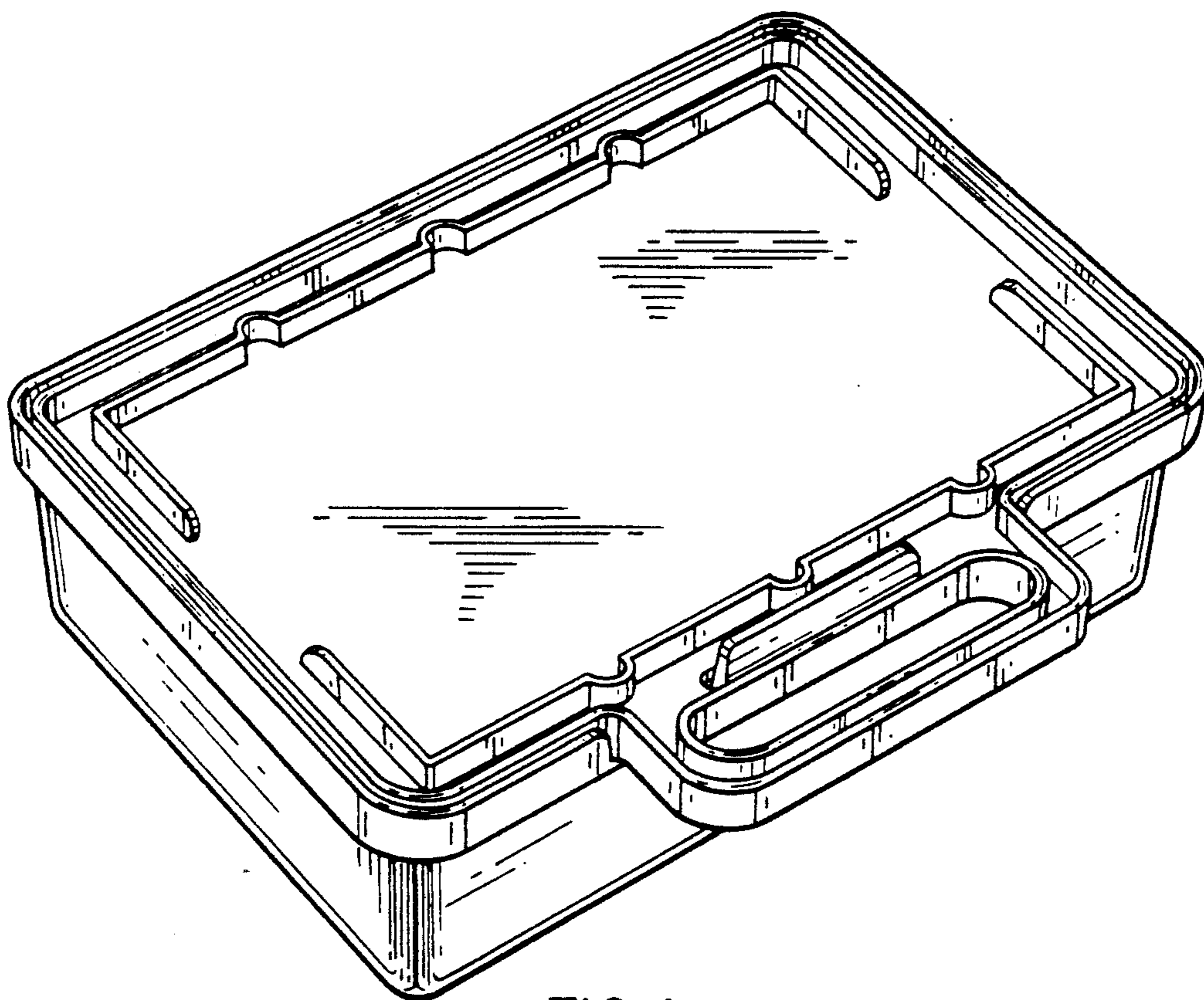


FIG. 1

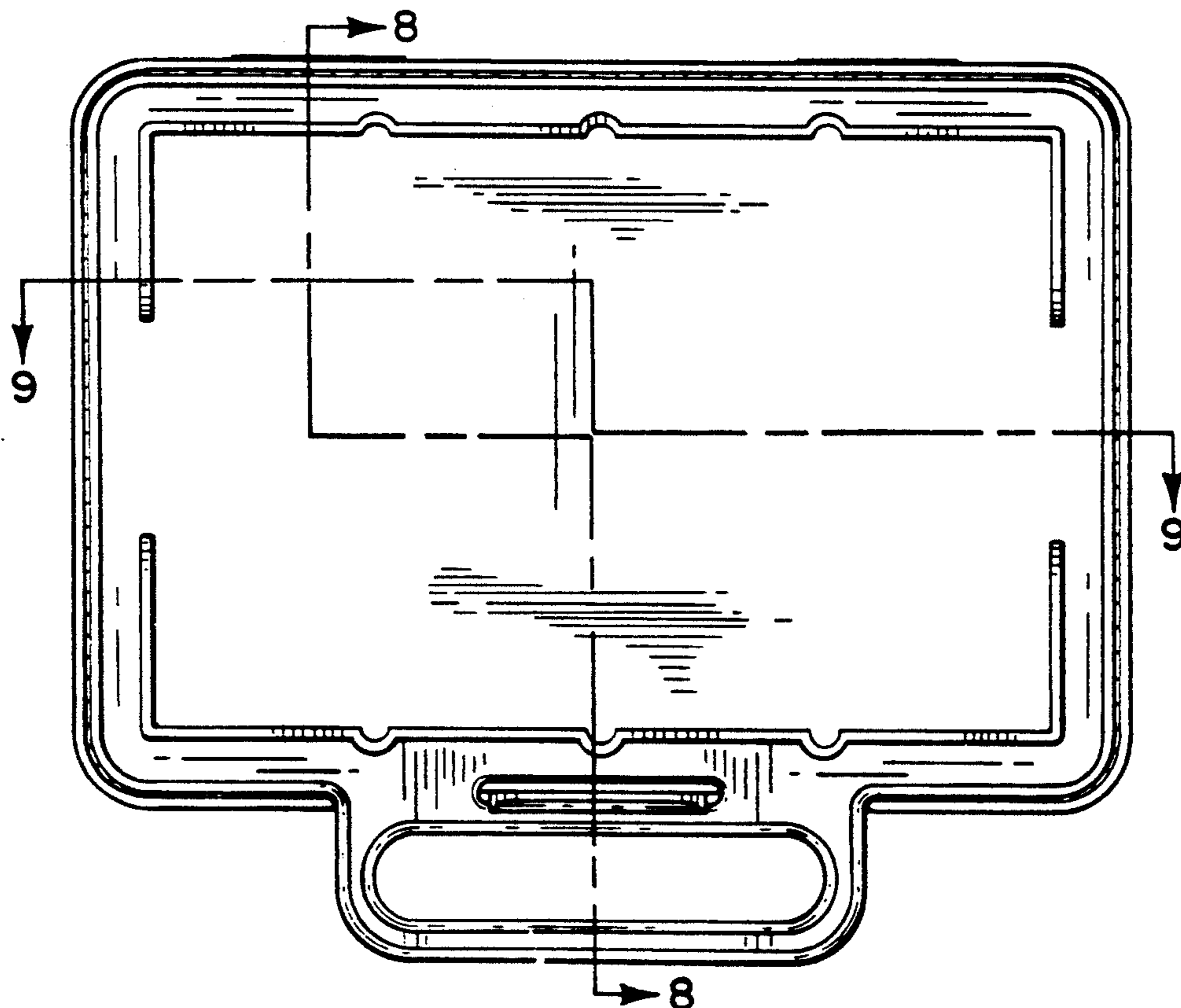


FIG. 2

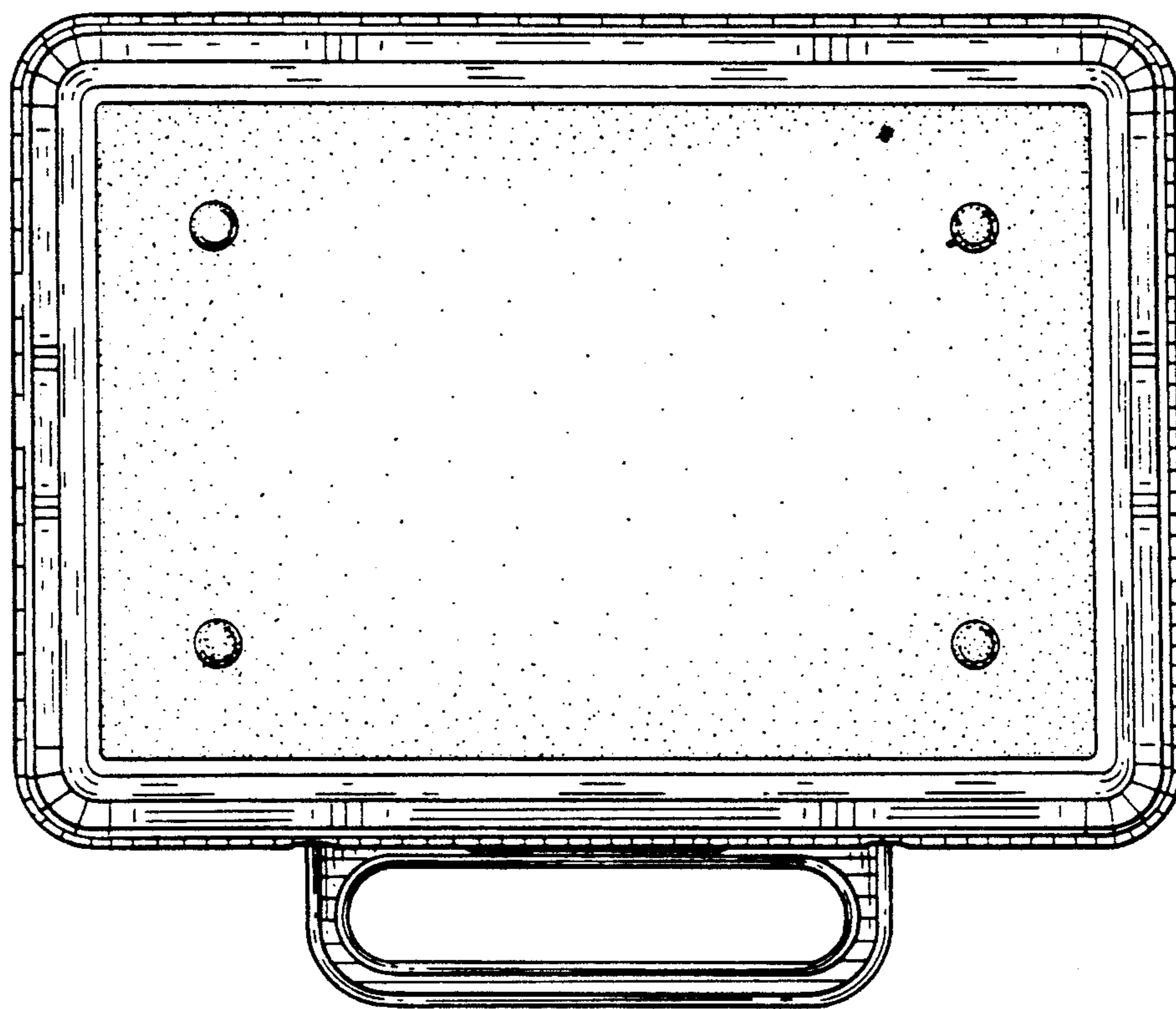


FIG. 3

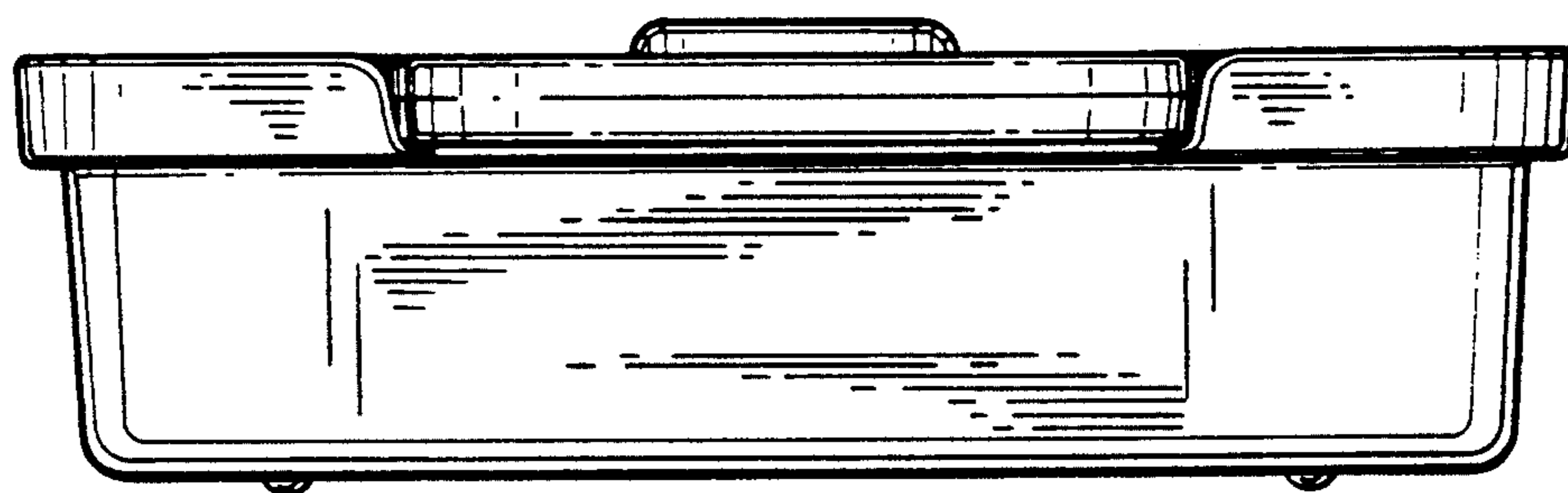


FIG. 4

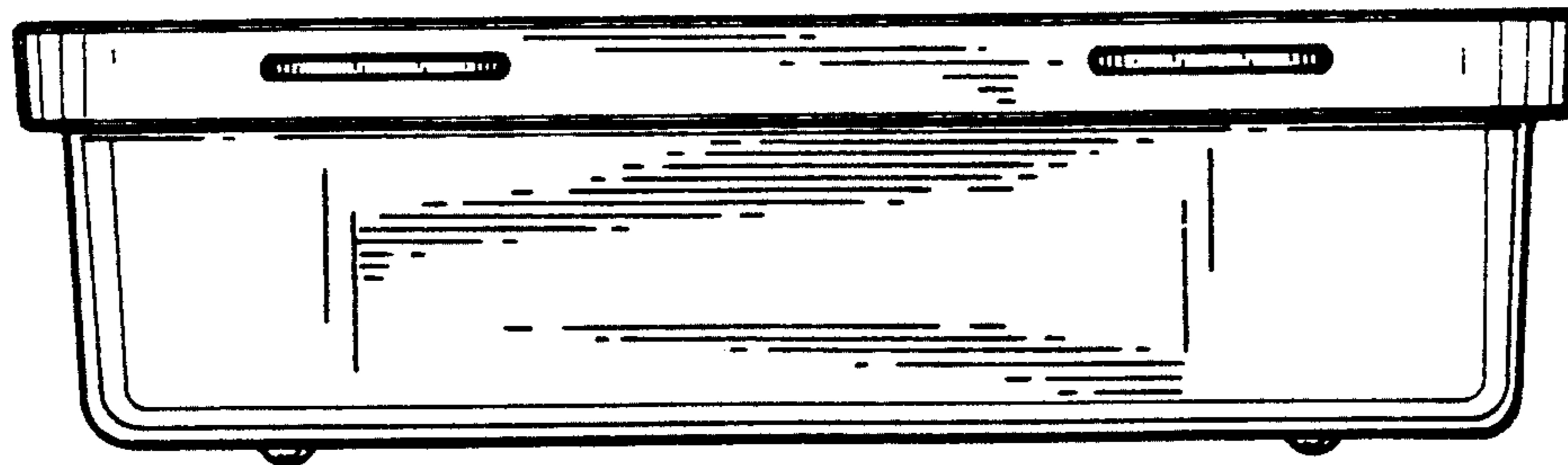


FIG. 5

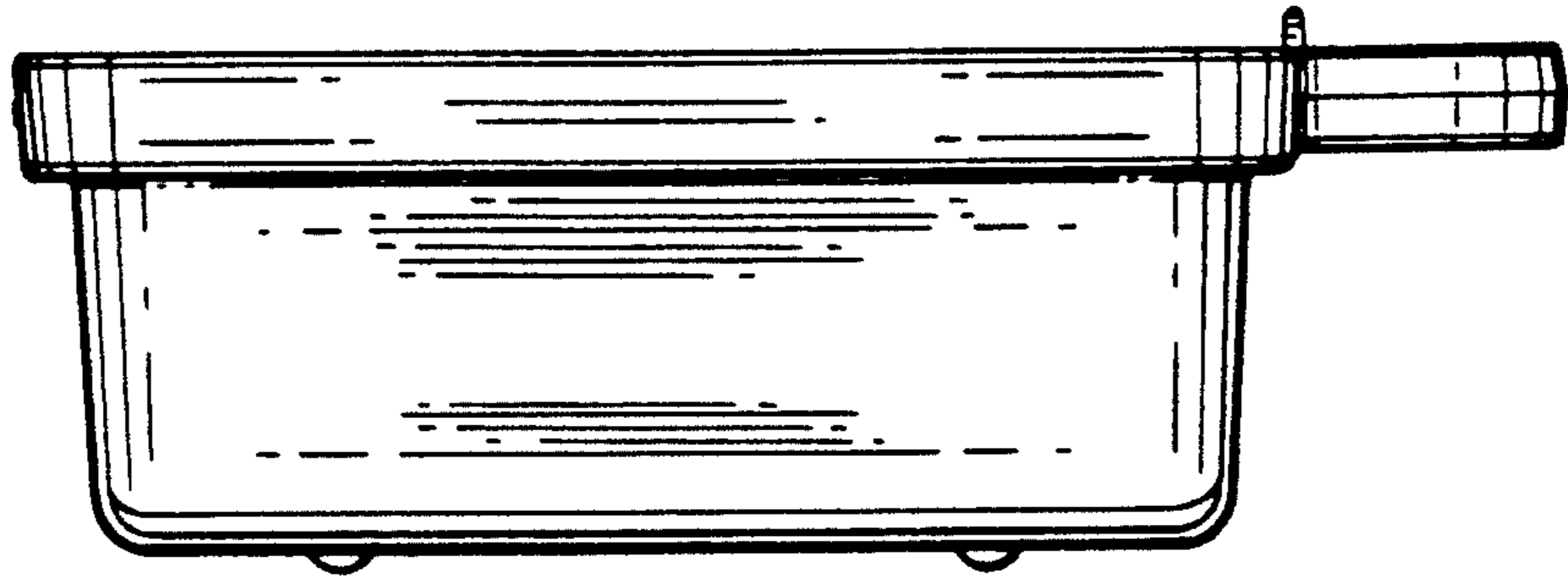


FIG. 6

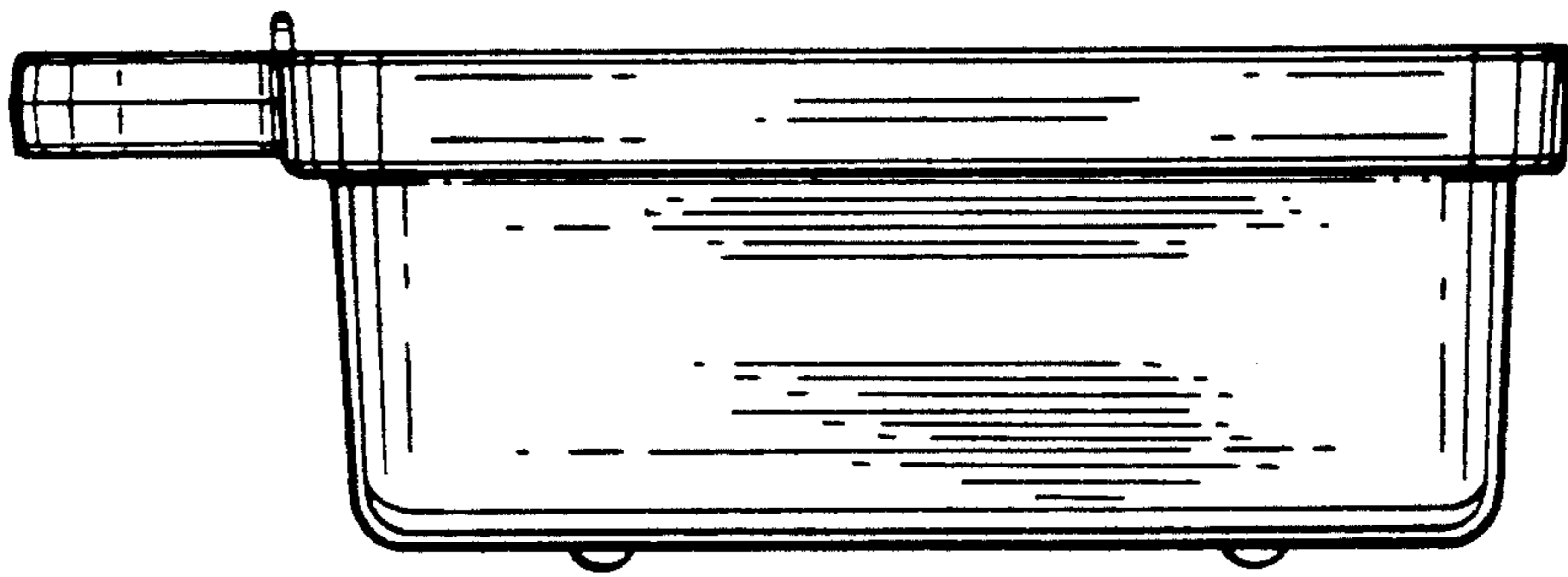


FIG. 7

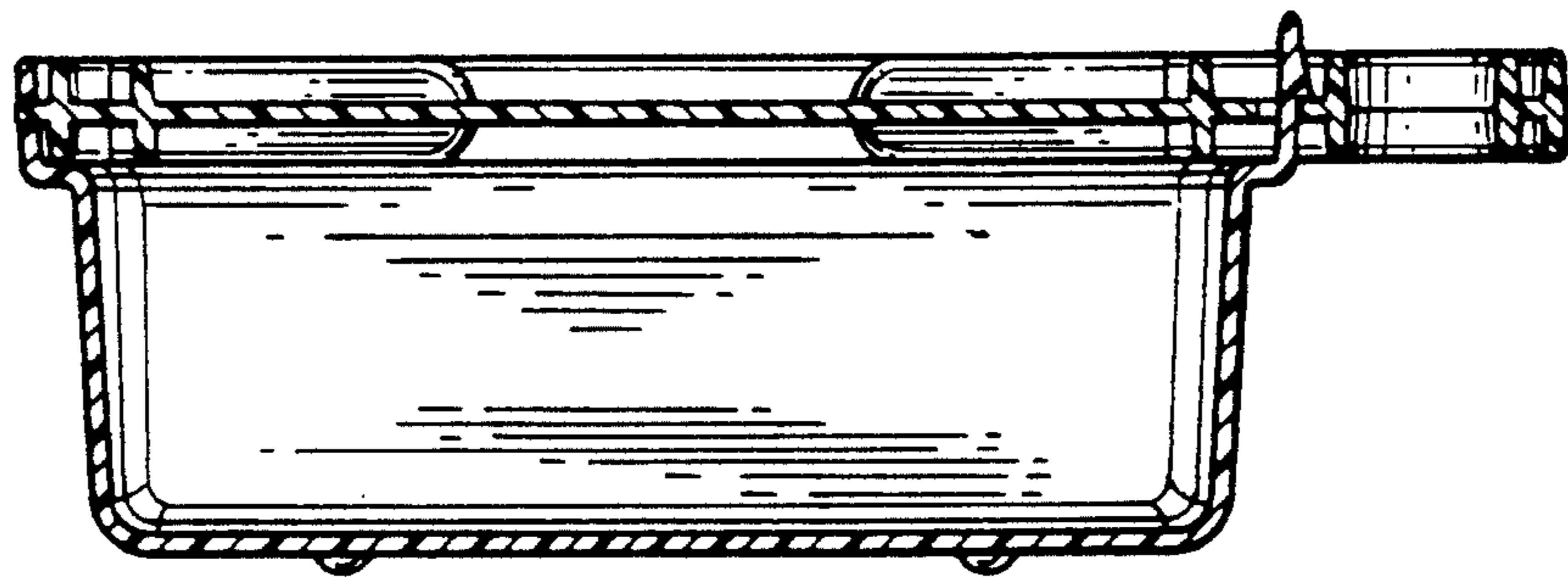


FIG. 8

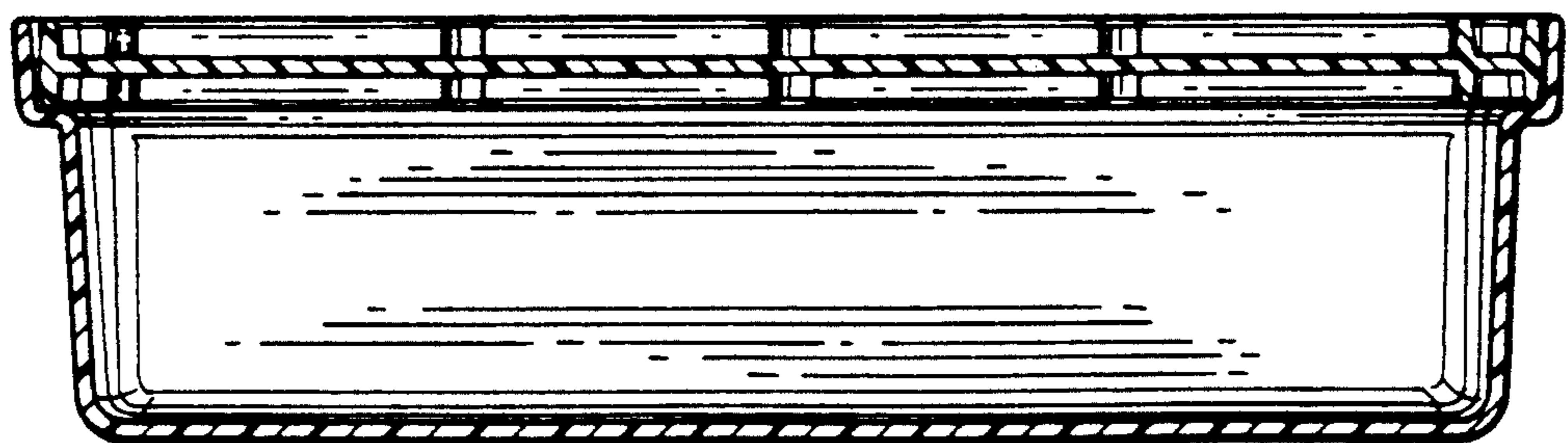


FIG. 9