



US00D336364S

**United States Patent** [19]  
**Campbell**

[11] **Patent Number: Des. 336,364**  
[45] **Date of Patent: \*\* Jun. 15, 1993**

[54] **BUCKLE-UP BACKPACK**

[56] **References Cited**

[76] **Inventor: Raymond A. Campbell, 820 W. Lakeside Apt. 2 South, Chicago, Ill. 60640**

**U.S. PATENT DOCUMENTS**

D. 215,825	4/1991	Hutton et al. ....	D3/32
D. 249,594	9/1978	Stewart .....	D3/32
D. 284,332	6/1986	Lowe et al. ....	D3/32
3,957,184	5/1976	Shurman .....	224/211

[\*\*] **Term: 14 Years**

*Primary Examiner*—A. Hugo Word  
*Assistant Examiner*—Doris Clark  
*Attorney, Agent, or Firm*—Leon Gilden

[21] **Appl. No.: 840,992**

[57] **CLAIM**

[22] **Filed: Feb. 25, 1992**

The ornamental design for a buckle-up backpack, as shown and described.

**Related U.S. Application Data**

**DESCRIPTION**

- [63] Continuation-in-part of Ser. No. 195,522, May 18, 1988, abandoned.
- [52] **U.S. Cl.** ..... **D3/32**
- [58] **Field of Search** ..... **D3/32, 35, 30.1, 50, D3/52, 74; D9/414; D11/200; 224/211, 158, 159-160, 252-253**

FIG. 1 is a front elevational view of the buckle-up backpack showing my new design;  
FIG. 2 is a rear elevational view thereof;  
FIG. 3 is a left side elevational view thereof;  
FIG. 4 is a right side elevational view thereof;  
FIG. 5 is a top plan view thereof; and,  
FIG. 6 is a bottom plan view thereof.

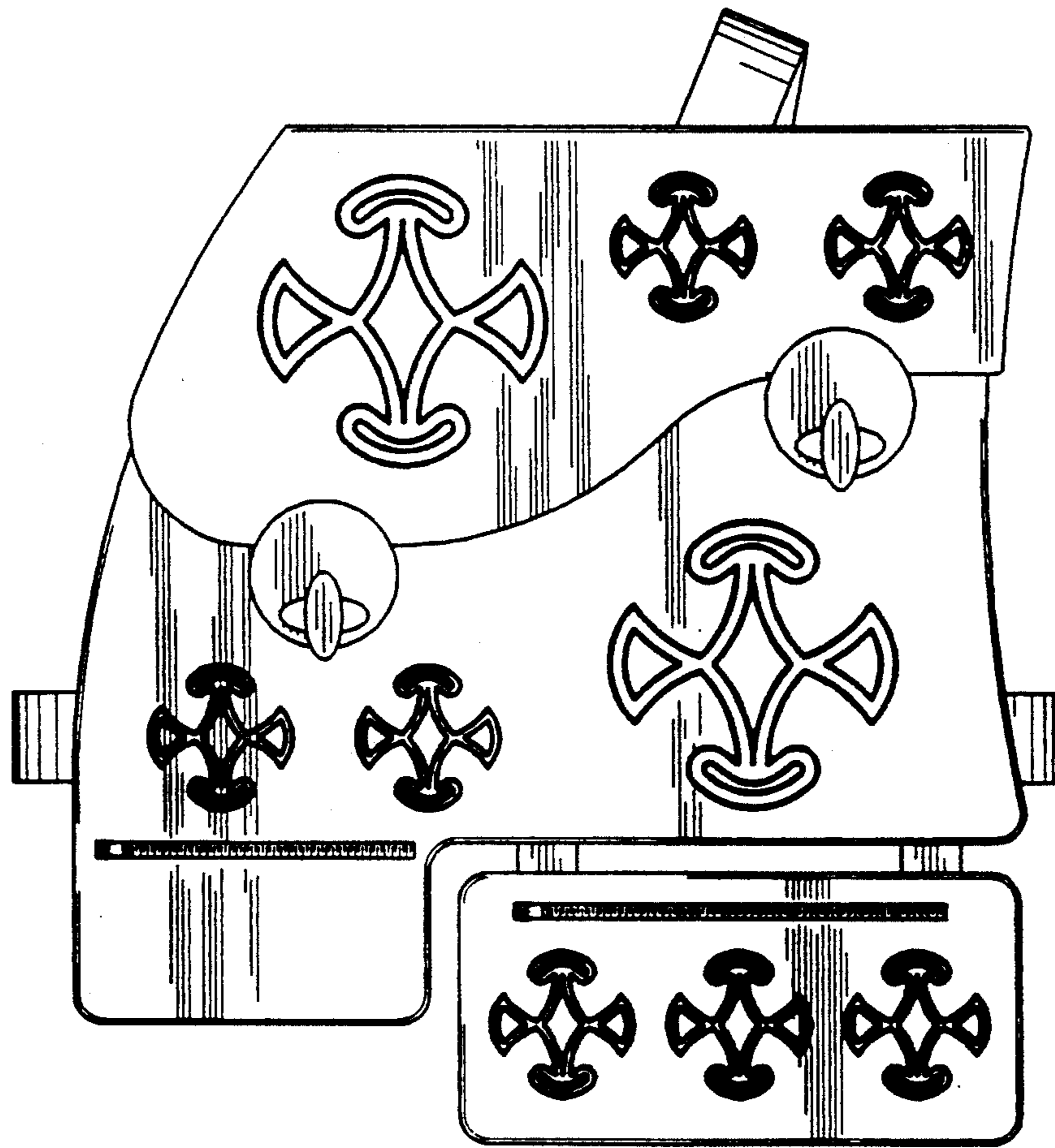


FIG. 1

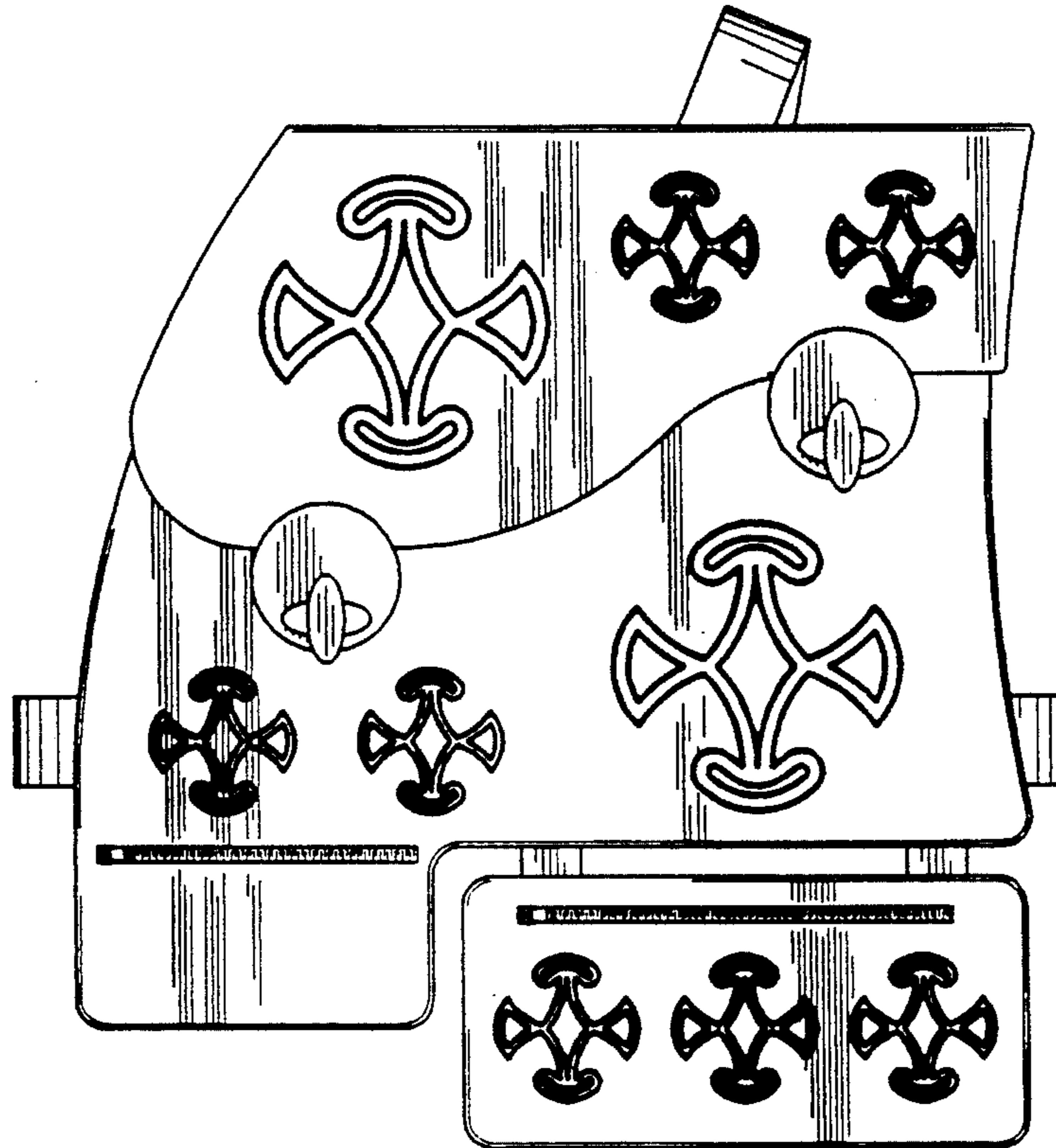


FIG. 2

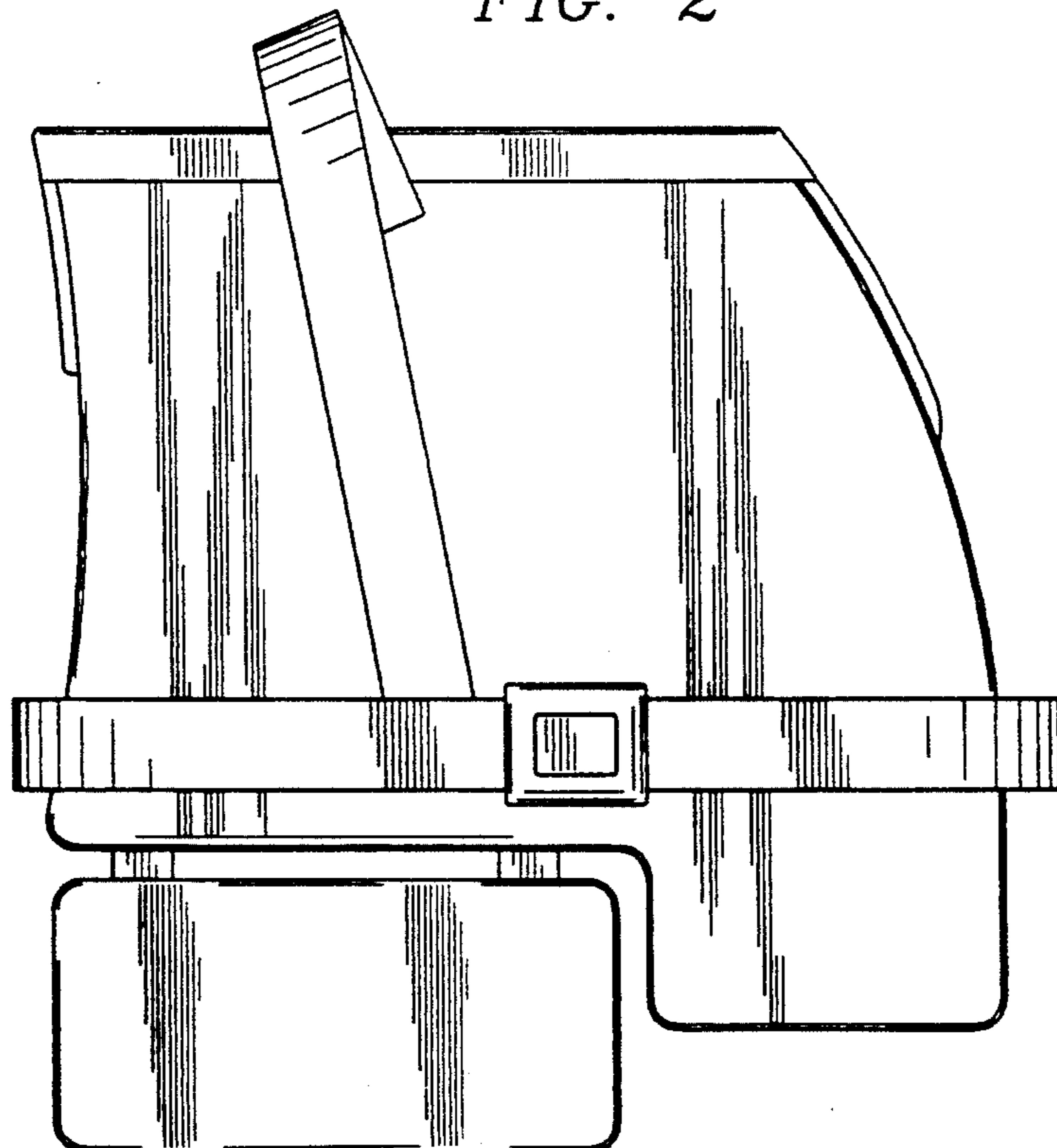


FIG. 3

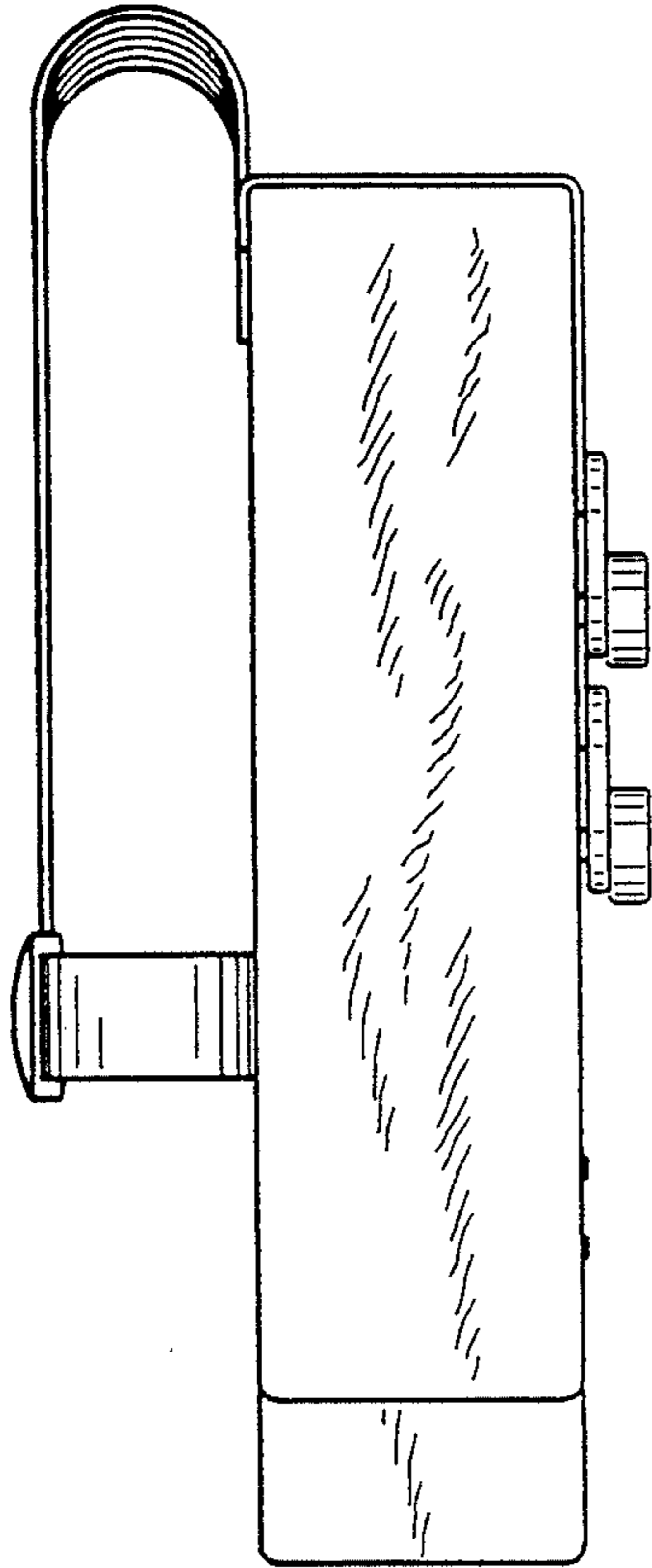


FIG. 4

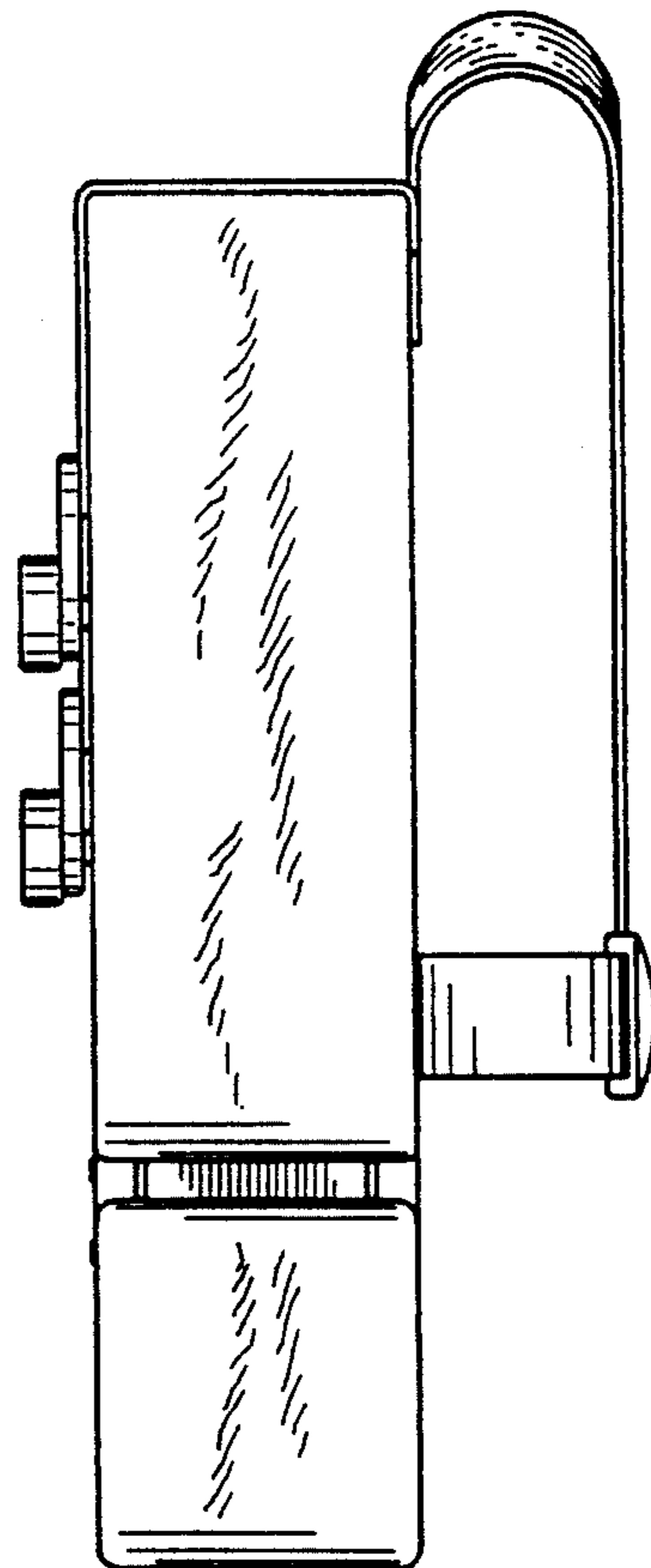


FIG. 5

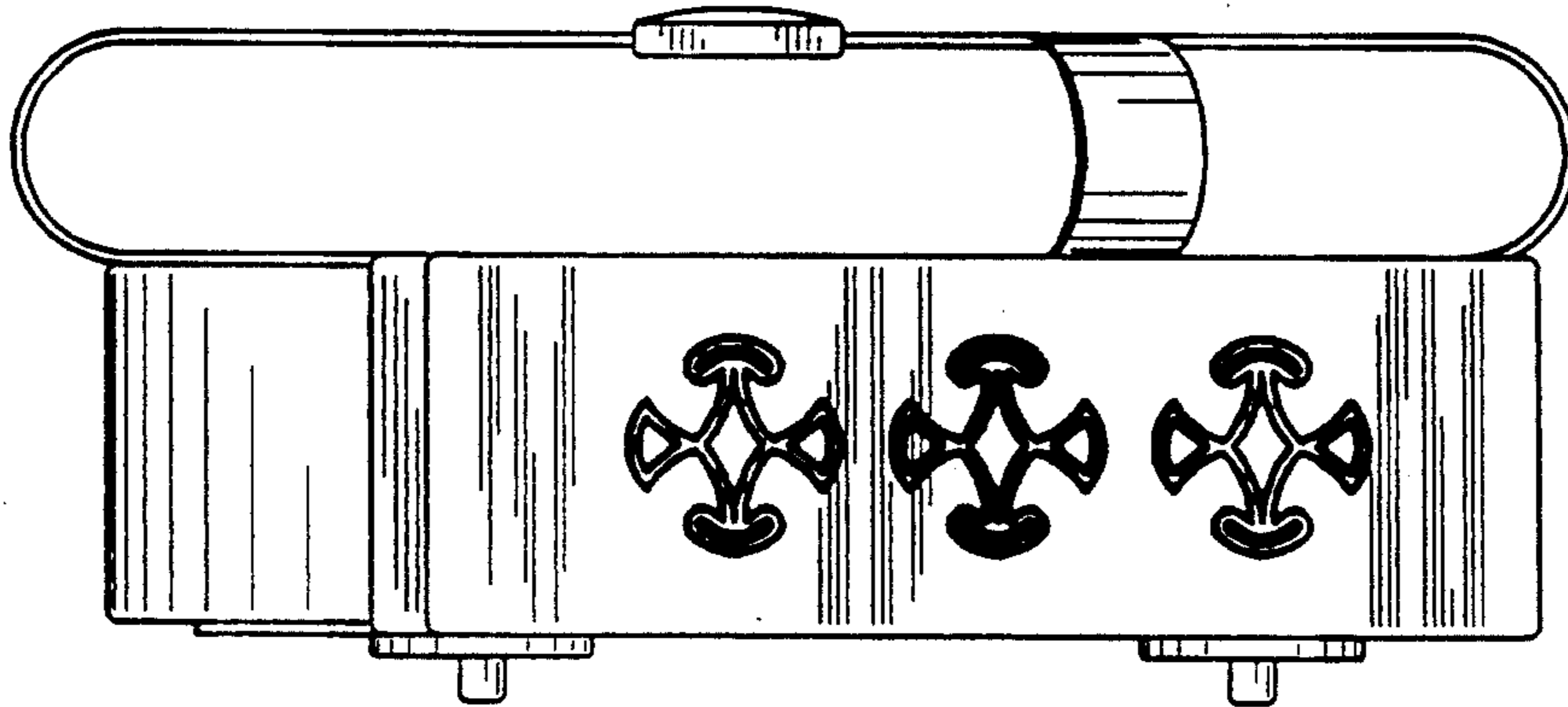


FIG. 6

