



US00D336351S

United States Patent [19]

[11] Patent Number: **Des. 336,351**

Freese et al.

[45] Date of Patent: **** Jun. 8, 1993**

[54] **CLAMP-ON CRIB LIGHT**

[75] Inventors: **T. Brent Freese, Westminster; Jack W. Renforth, Aurora, both of Colo.**

[73] Assignee: **Gerry Baby Products Company, Denver, Colo.**

[**] Term: **14 Years**

[21] Appl. No.: **752,338**

[22] Filed: **Aug. 30, 1991**

[52] U.S. Cl. **D26/60**

[58] Field of Search **D26/37-50, D26/60; 362/157, 158, 183-191, 196, 197, 198, 199, 200, 202, 98, 99, 130, 396**

[56] **References Cited**

U.S. PATENT DOCUMENTS

- D. 278,555 4/1985 Cummings D26/60
- D. 279,032 5/1985 Doyel D26/60
- D. 301,753 6/1989 Charet et al. D26/60

- 2,225,727 12/1940 Wallen 362/130
- 2,443,829 6/1948 Lancry et al. 362/130 X
- 3,840,924 10/1974 Hamilton 362/130
- 4,680,684 7/1987 Wolber 362/130 X

Primary Examiner—Susan J. Lucas
Attorney, Agent, or Firm—Biebel & French

[57] **CLAIM**

The ornamental design for a clamp-on crib light, as shown.

DESCRIPTION

FIG. 1 is a perspective view taken from the right front side of the clamp-on crib light;
 FIG. 2 is a left side elevational view of the clamp-on crib light;
 FIG. 3 is a front elevational view of the clamp-on crib light;
 FIG. 4 is a rear elevational view of the clamp-on crib light;
 FIG. 5 is a top view of the clamp-on crib light; and,
 FIG. 6 is a bottom view of the clamp-on crib light.

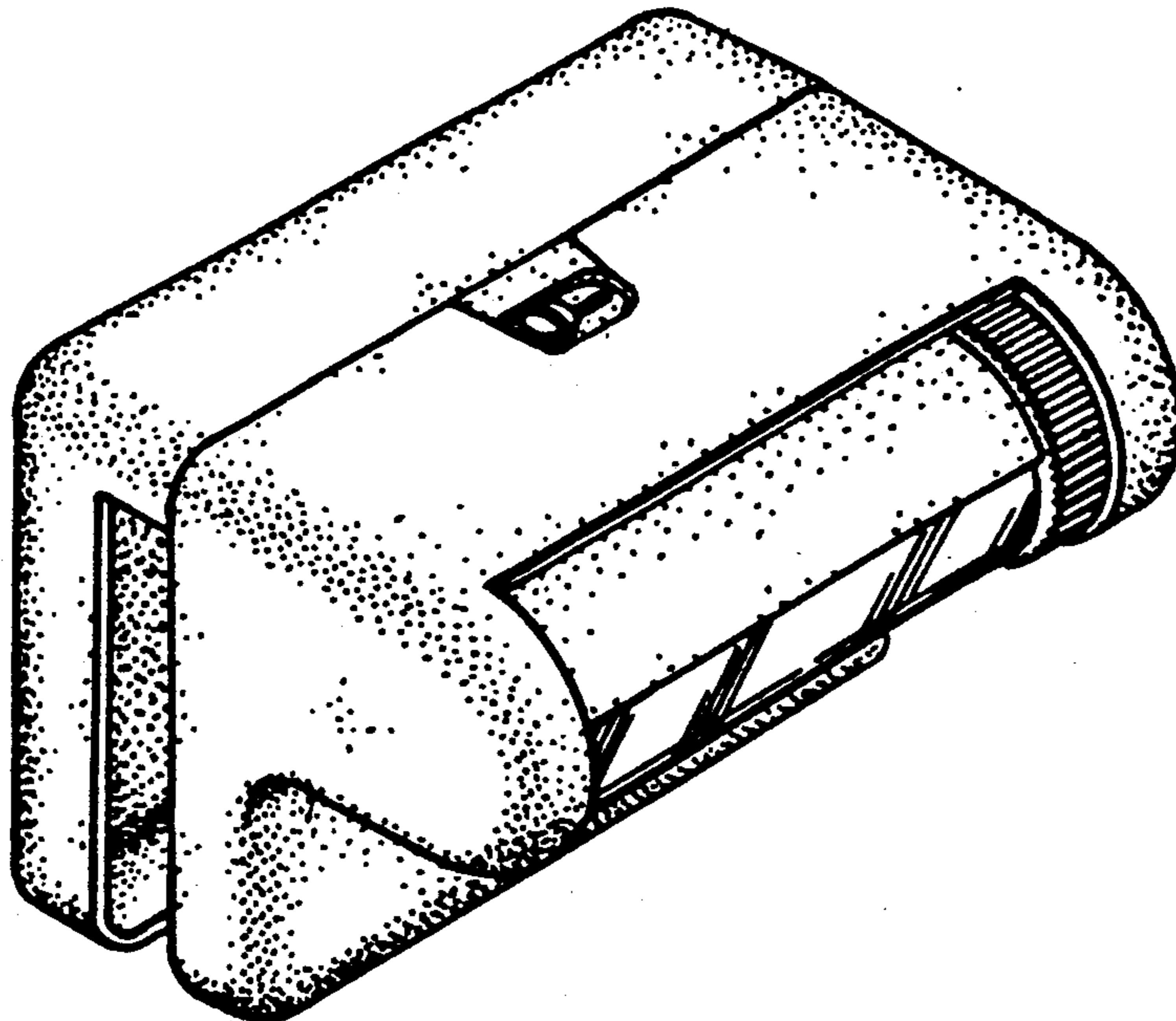


FIG-1

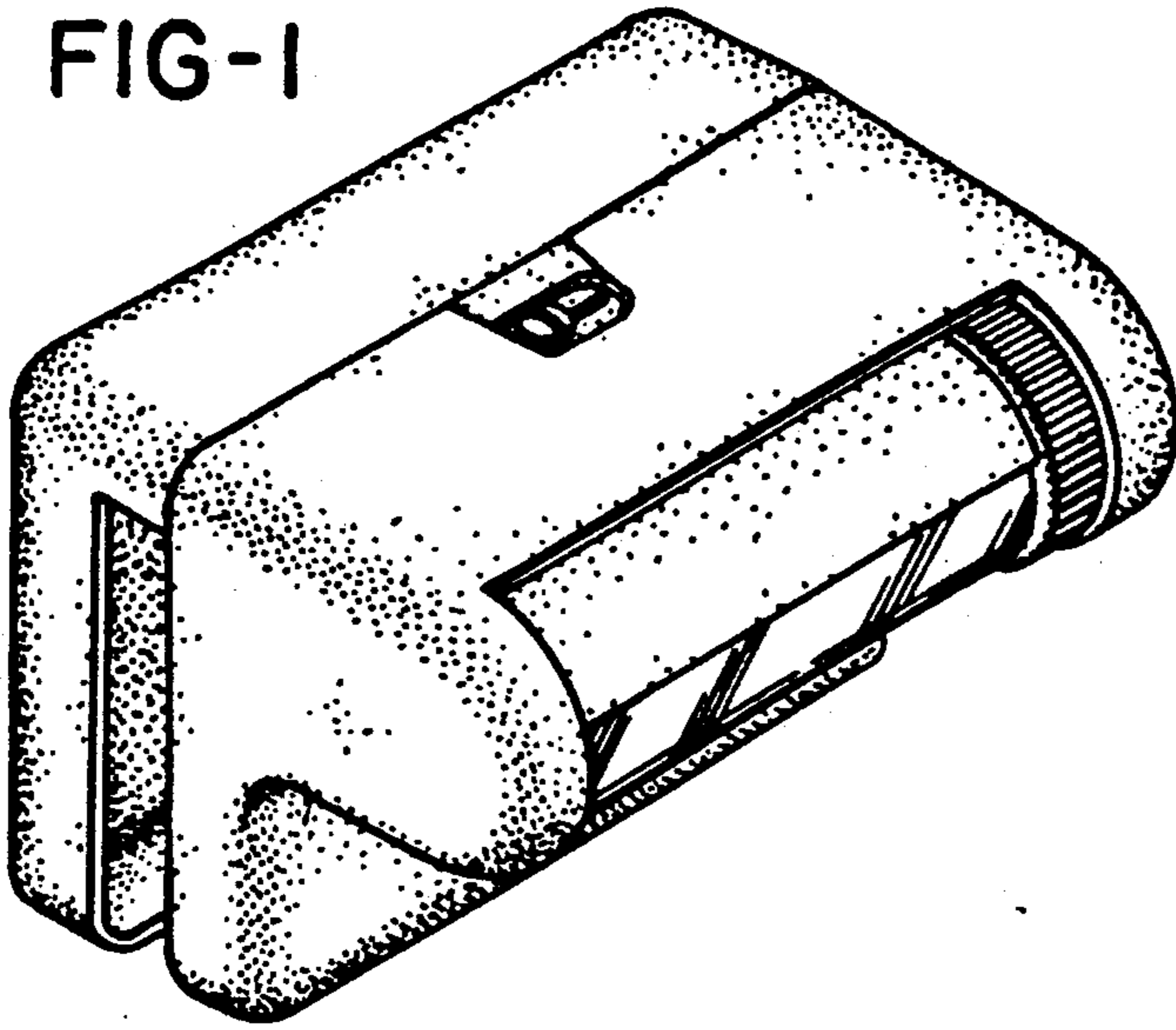


FIG-2

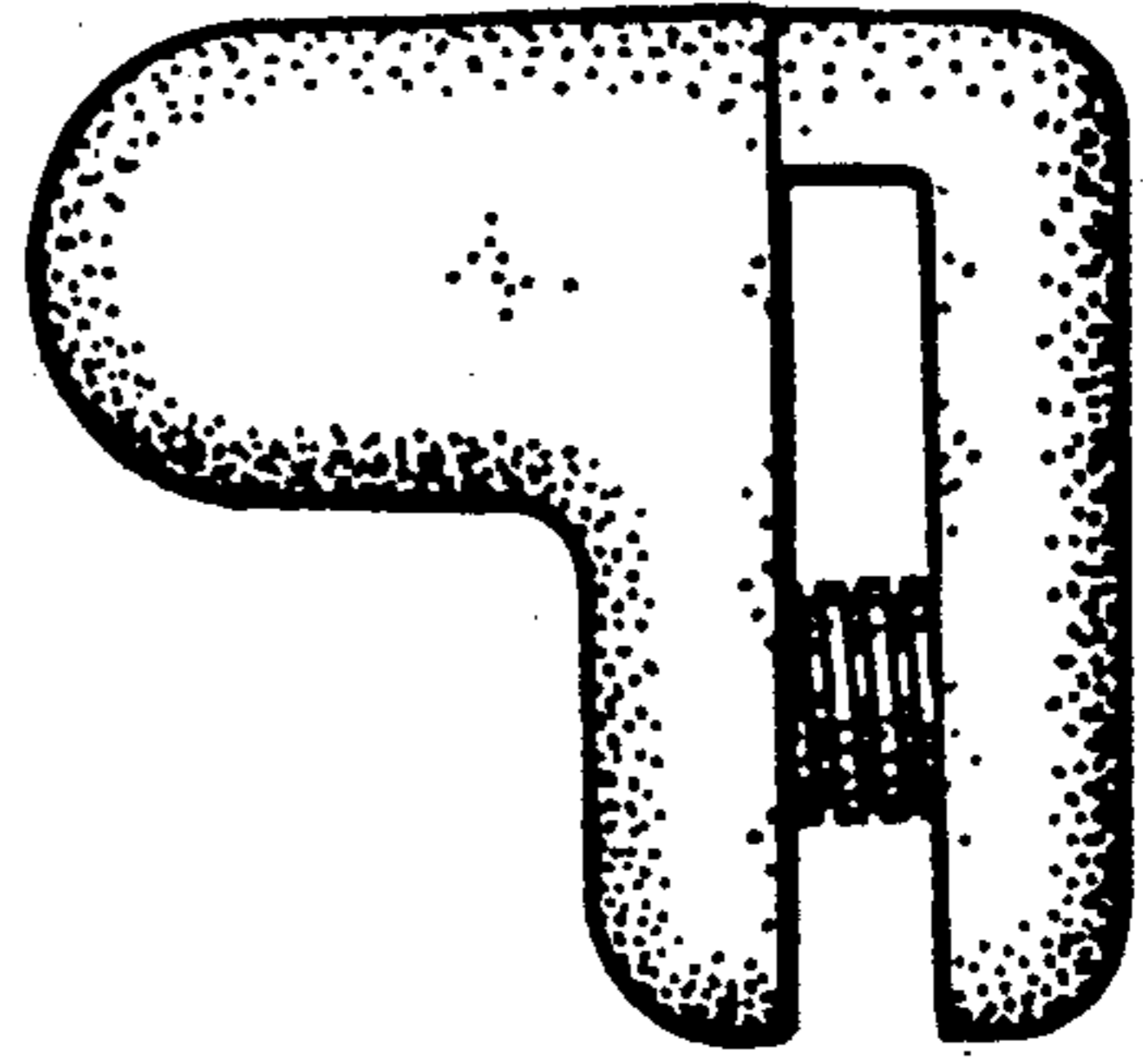


FIG-3

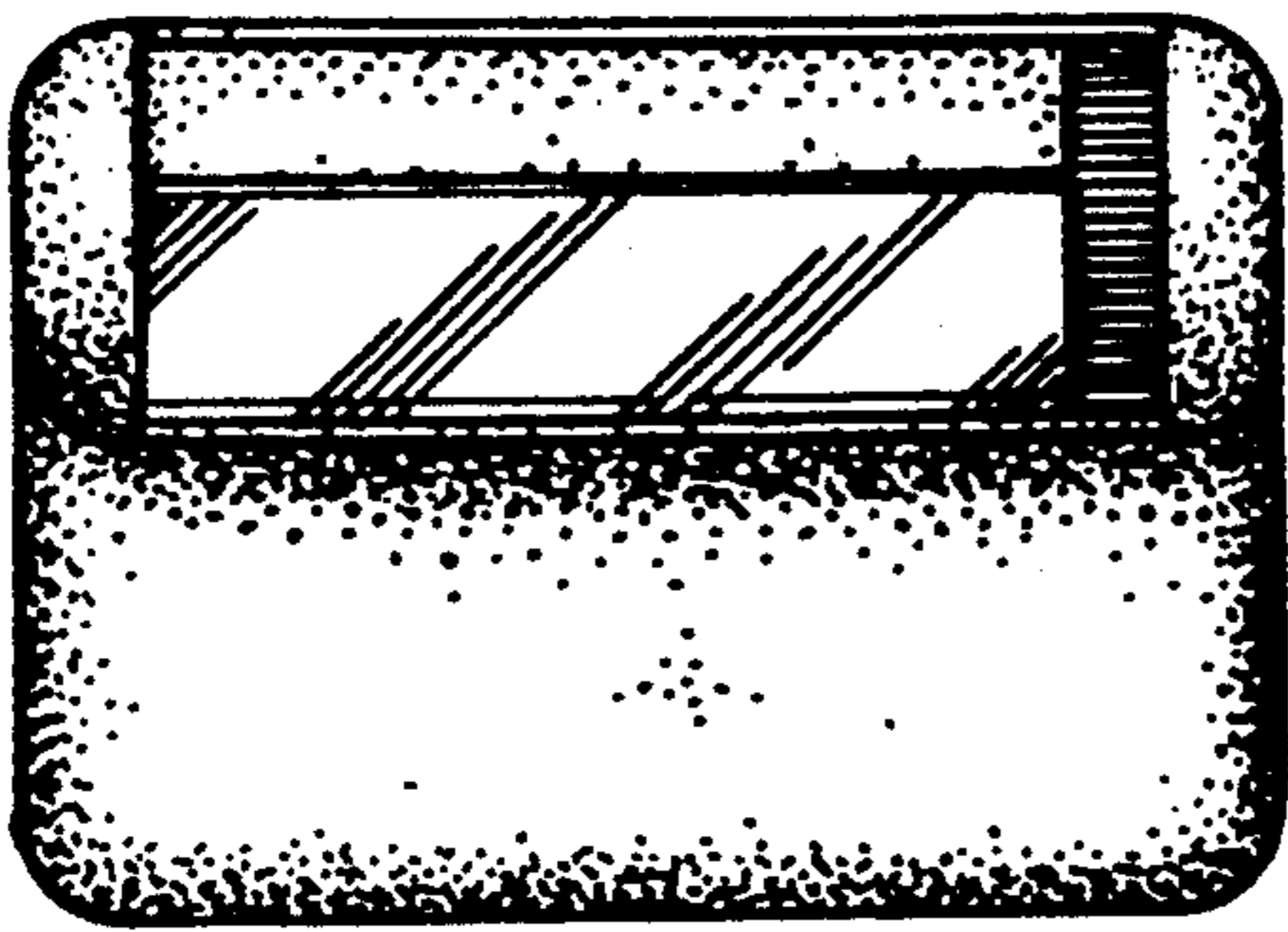


FIG-4

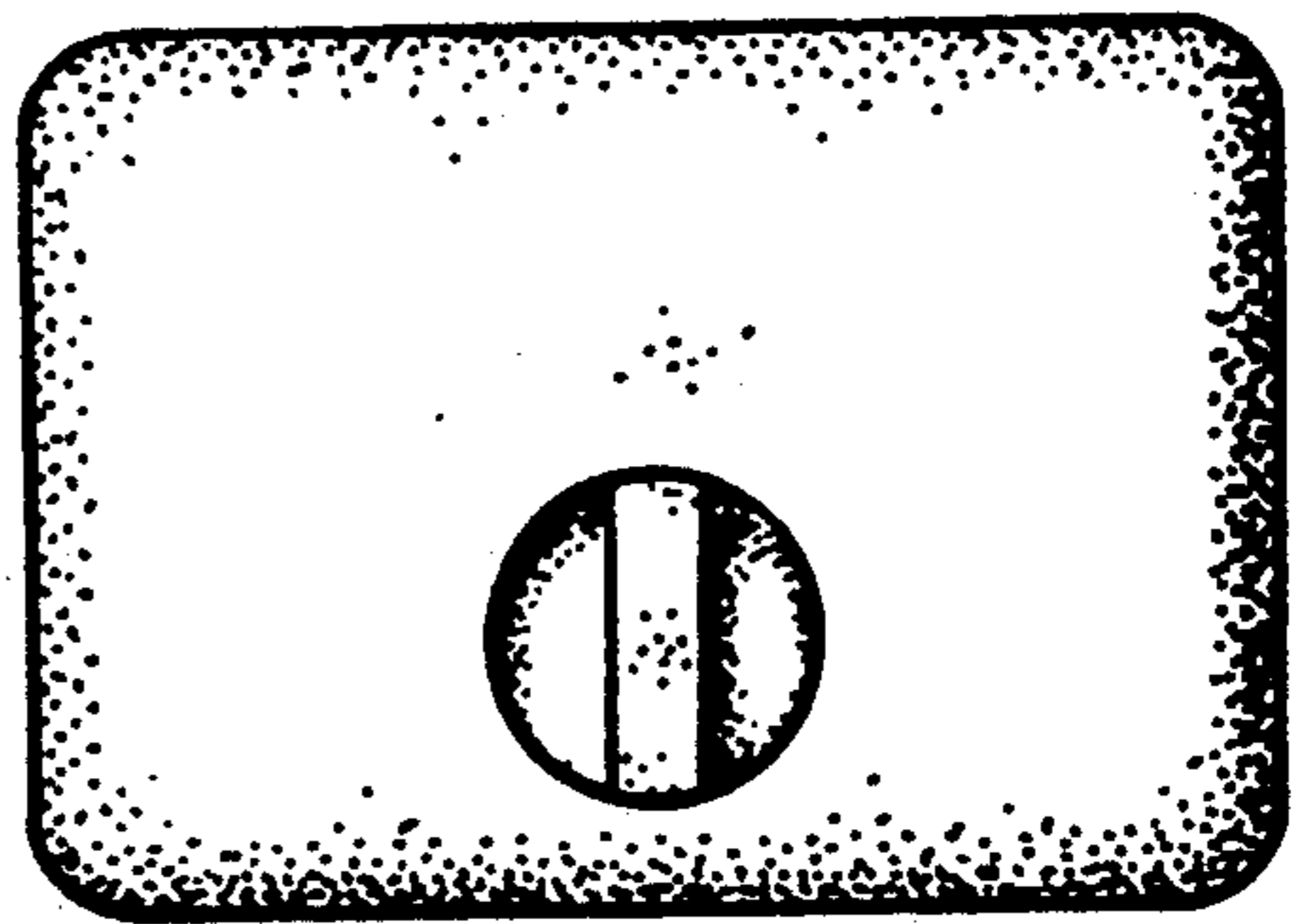


FIG-5

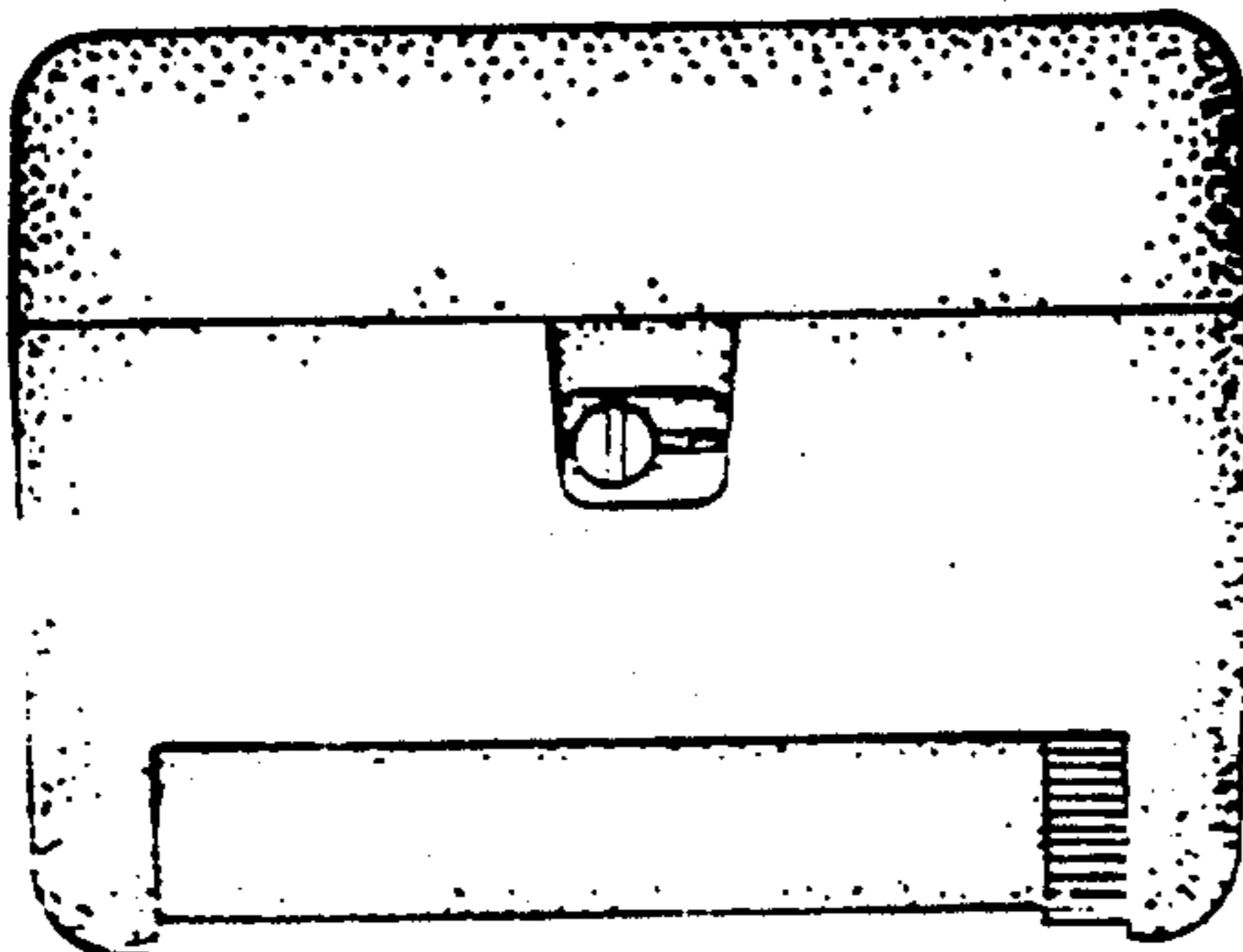


FIG-6

