



US00D336345S

# United States Patent [19]

Fasth et al.

[11] Patent Number: **Des. 336,345**

[45] Date of Patent: **\*\* Jun. 8, 1993**

[54] **BEAM FOR STRUCTURAL SYSTEMS**

[75] Inventors: **Kenneth Fasth, Harplinge; Goran Abbestam, Partille; Leif Lachonius, Surte, all of Sweden**

[73] Assignee: **SKF Specialty Products AB, Gothenburg, Sweden**

[\*\*] Term: **14 Years**

[21] Appl. No.: **552,419**

[22] Filed: **Jul. 16, 1990**

[30] **Foreign Application Priority Data**

Jan. 17, 1990 [SE] Sweden ..... 90-0100

[52] U.S. Cl. .... **D25/126; D25/122**

[58] Field of Search ..... **D25/126, 122, 124; 52/738**

[56] **References Cited**

**U.S. PATENT DOCUMENTS**

- D. 252,614 11/1987 Nilsson ..... D25/122
- D. 317,521 6/1991 Fasth ..... D25/126
- 3,216,170 11/1965 Deadrick ..... D25/126

*Primary Examiner*—A. Hugo Word  
*Assistant Examiner*—Doris Clark  
*Attorney, Agent, or Firm*—Eugene E. Renz, Jr.

[57] **CLAIM**

The ornamental design for a beam for structural systems, as shown and described.

**DESCRIPTION**

FIG. 1 is a perspective view of our design for a beam for structural systems; and, FIG. 2 is a further embodiment of our design for a beam for structural systems.

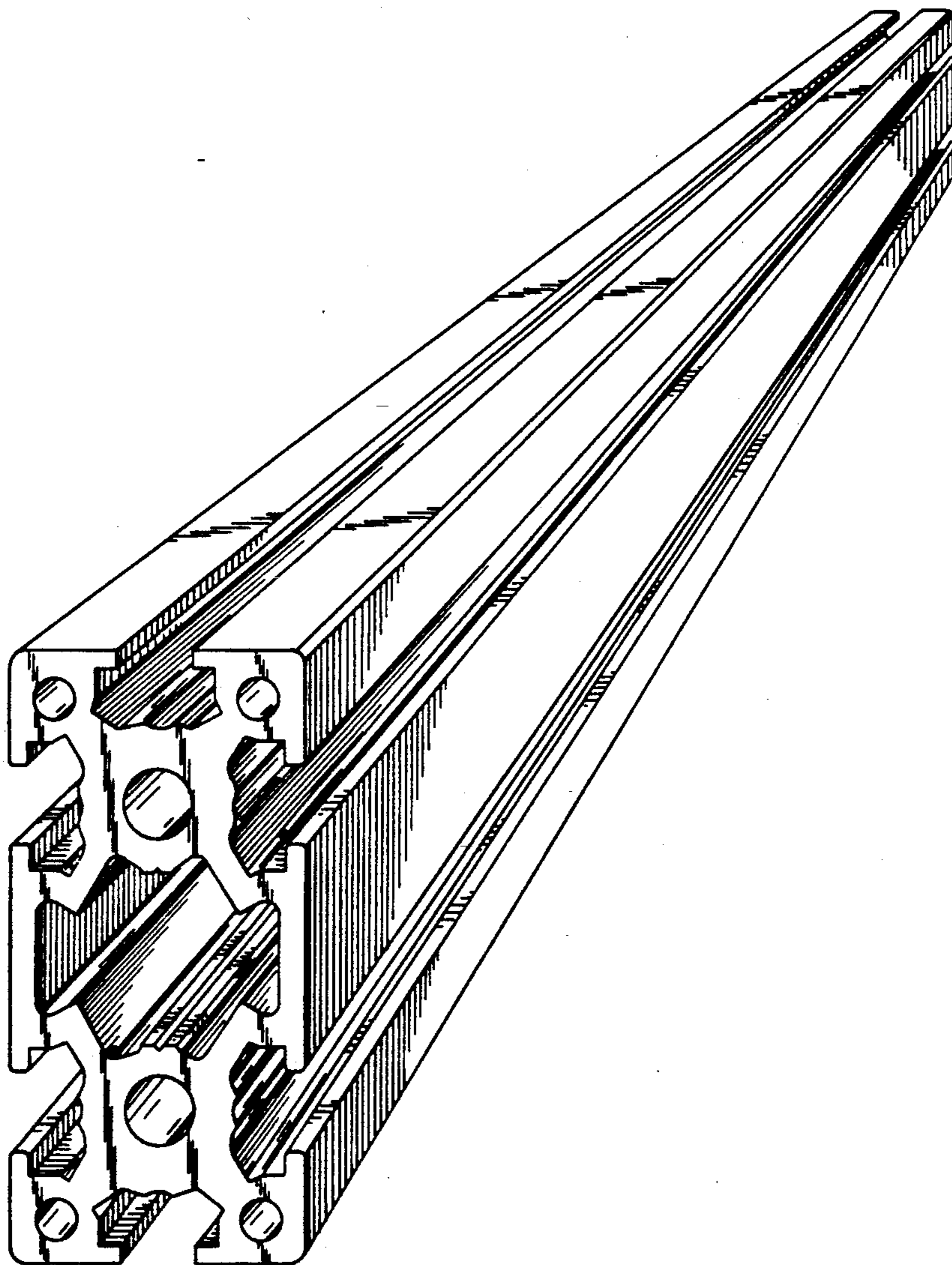


FIG. 1

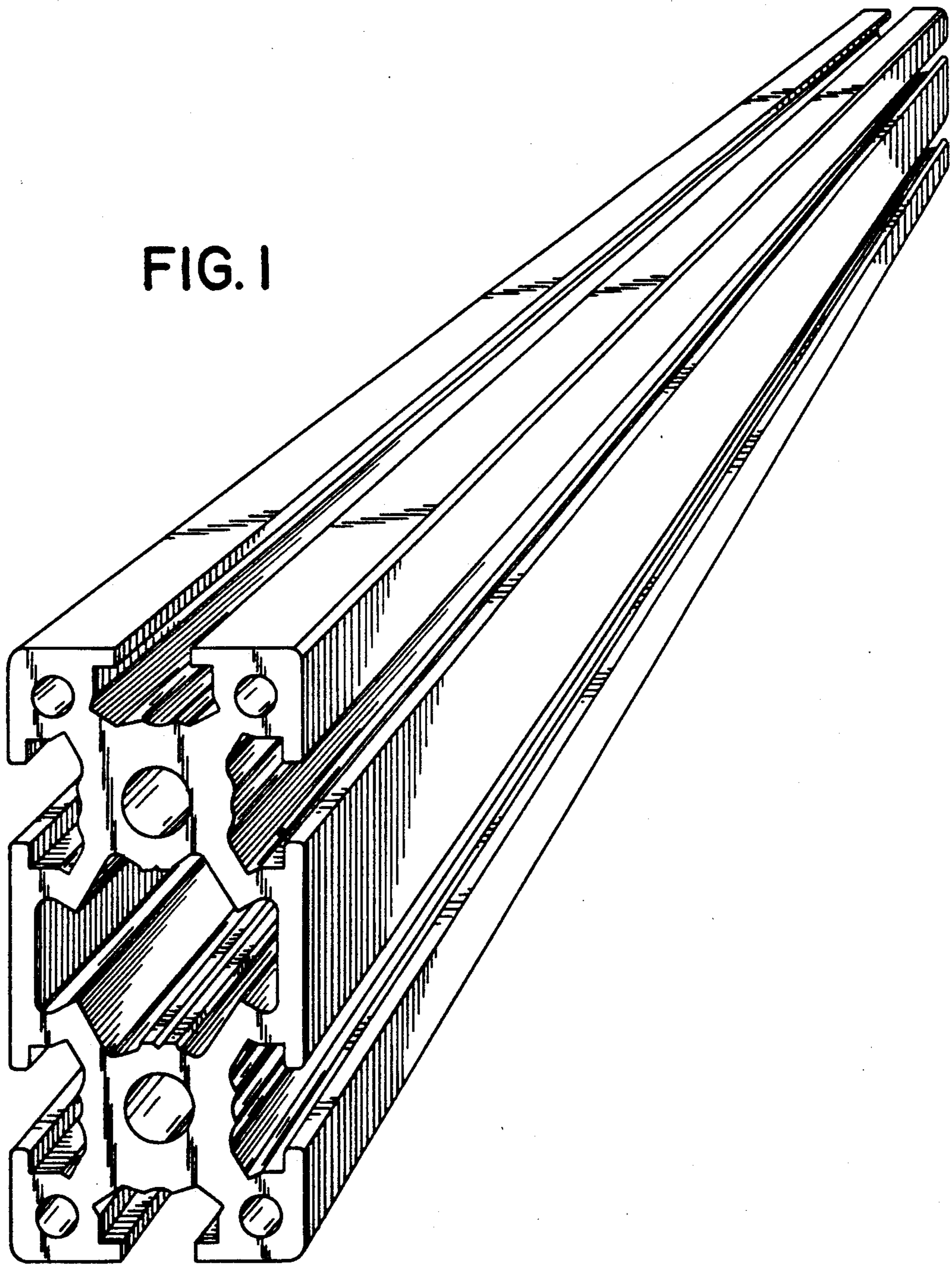


FIG. 2

