



US00D336344S

# United States Patent [19] Cole

[11] Patent Number: **Des. 336,344**

[45] Date of Patent: **\*\* Jun. 8, 1993**

[54] WINDOW COMPONENT EXTRUSION

[75] Inventor: Douglas L. Cole, Seattle, Wash.

[73] Assignee: Mikron Industries, Kent, Wash.

[\*\*] Term: 14 Years

[21] Appl. No.: 744,798

[22] Filed: Aug. 14, 1991

[52] U.S. Cl. .... D25/124

[58] Field of Search ..... D25/52, 122, 124;  
49/501, 504, DIG. 2; 52/202-204

D. 313,656 1/1991 Westphal et al. .... D25/124  
4,837,977 6/1989 Mauro ..... 49/501

*Primary Examiner*—A. Hugo Word  
*Assistant Examiner*—Doris Clark  
*Attorney, Agent, or Firm*—Seed and Berry

### [57] CLAIM

The ornamental design for a window component extrusion, as shown and described.

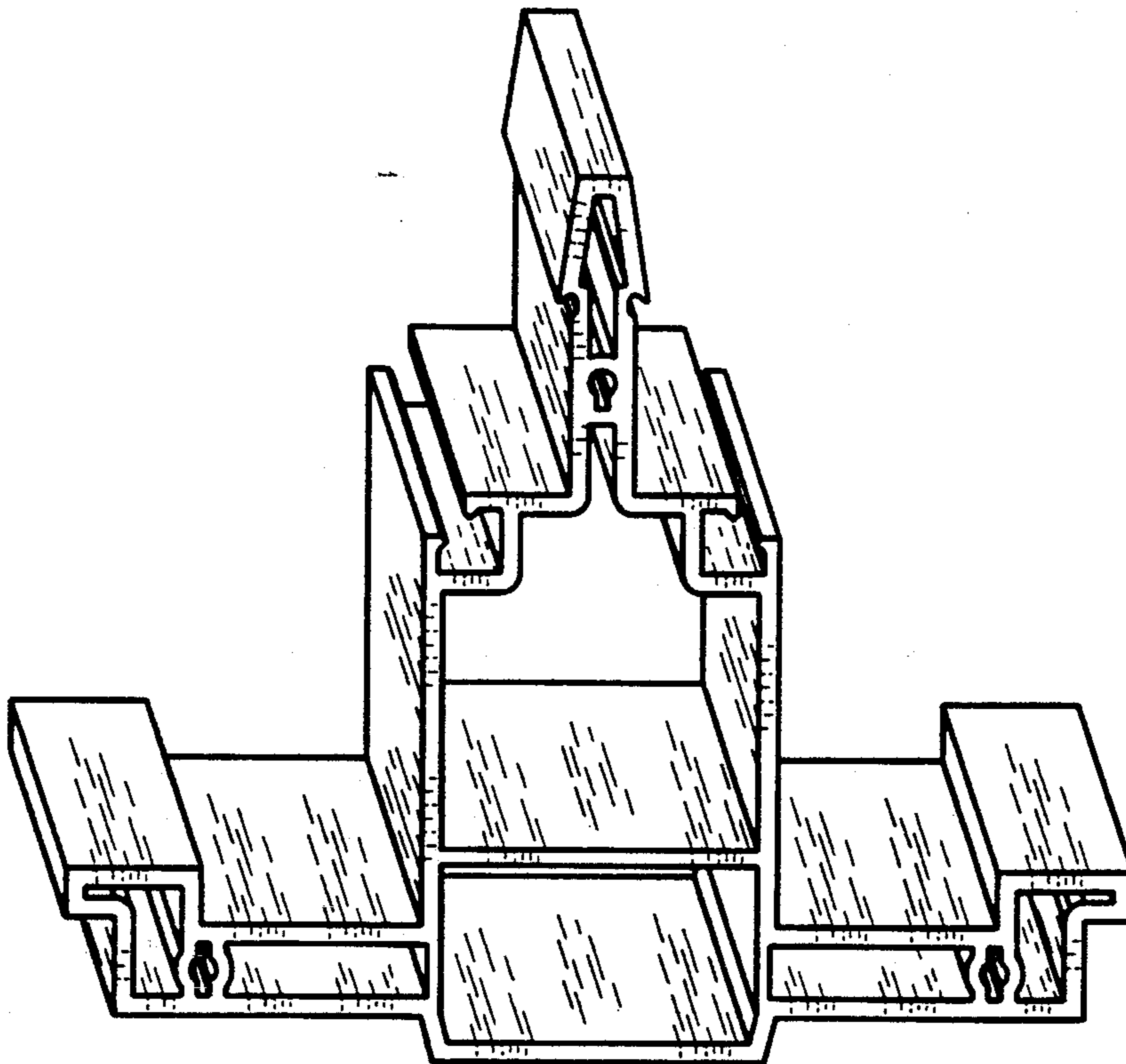
### DESCRIPTION

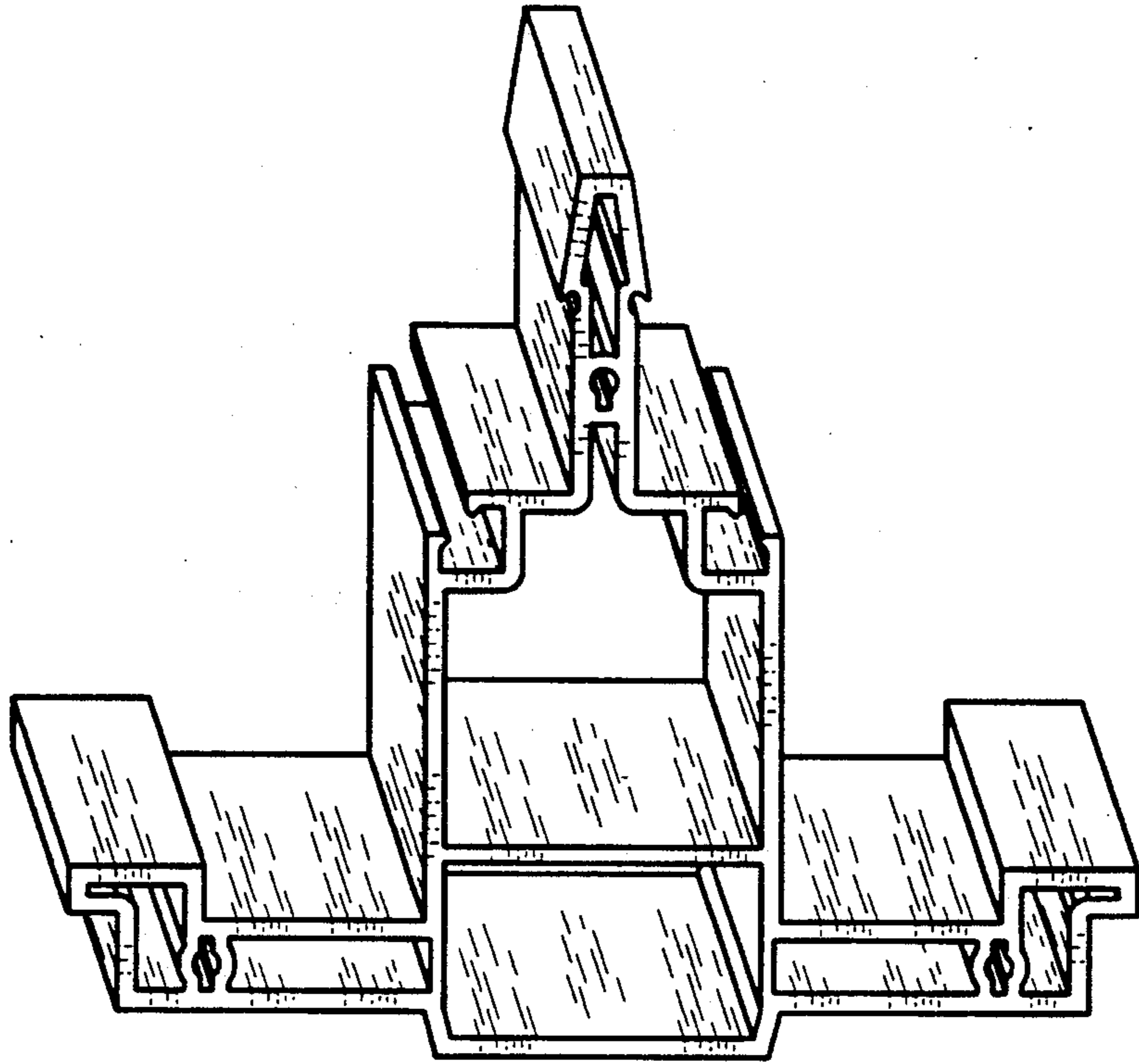
FIG. 1 is a perspective view of a window component extrusion showing my new design viewed from the top right; and, FIG. 2 is a perspective view thereof viewed from the bottom left.

### [56] References Cited

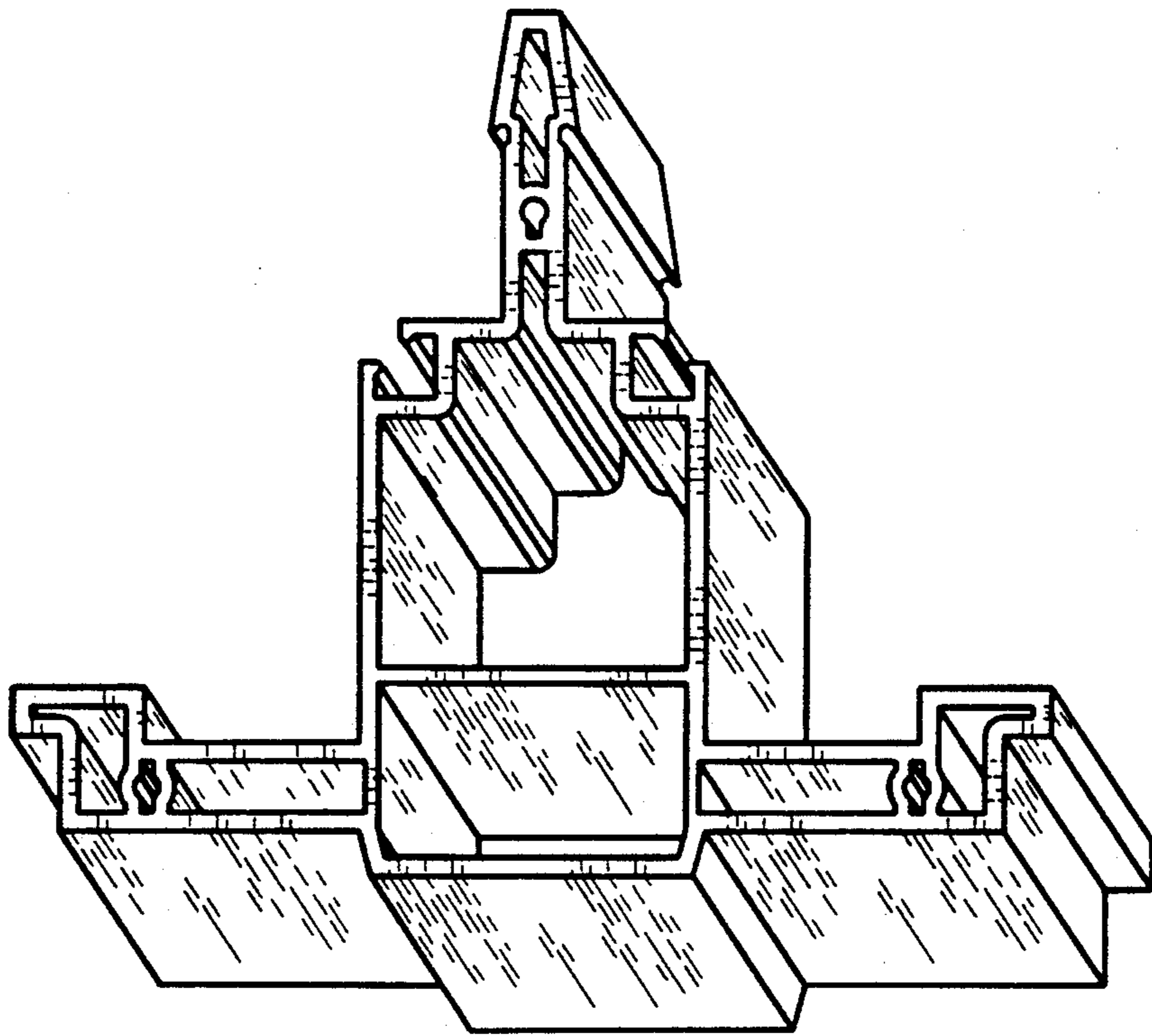
#### U.S. PATENT DOCUMENTS

D. 308,251 5/1990 Hardy ..... D25/124





*FIG. 1*



*FIG. 2*