



US00D336337S

United States Patent [19]

Dotterman et al.

[11] Patent Number: **Des. 336,337**

[45] Date of Patent: **** Jun. 8, 1993**

[54] **DENTAL MATERIAL CURING APPARATUS**

[75] Inventors: **Perry S. Dotterman, Maplewood; Carl S. Ahlberg, Minneapolis, both of Minn.**

[73] Assignee: **Minnesota Mining and Manufacturing Company, St. Paul, Minn.**

[**] Term: **14 Years**

[21] Appl. No.: **742,701**

[22] Filed: **Aug. 8, 1991**

[52] U.S. Cl. **D24/177**

[58] Field of Search 433/25, 29, 49, 52-53, 433/60, 118, 126, 131-133; D24/176-182, 185, 108, 234

Demetron Brochure, Demetron Research Corporation, copyright date unknown.
Max Brochure, L. D. Caulk Division, Dentsply International, Inc., copyright 1988.
Visilux II Brochure, 3M Company, 3M Deutschland GmbH, copyright date unknown.
Visilux 2 Brochure, 3M Company, copyright 1987.
Visilux 2 Field Service Handbook, 3M Company, pp. 2-1 to 2-5 and 6-1 to 6-5, copyright Sep. 1990.
Executor Brochure, Pro-Den Systems, Inc. copyright date unknown.
Executor, Poly-Fil Brochure, Pro-Den Systems, Inc. copyright date unknown.
Translux CL Brochure, Kulzer & Co. GmbH copyright 1984.
Premierlite Brochure, Premier Dental Products Co., ESPE-Premier Sales Corp. copyright date unknown.
ESPE Elipar II Brochure, Fabrik Pharmazeutischer Preparate GmbH & Co., KG, copyright date unknown.
Teledyne Getz Brochure, Teledyne, Inc. copyright 1984.

[56] **References Cited**

U.S. PATENT DOCUMENTS

D. 291,000	7/1987	Botich	D24/111
2,326,773	8/1943	Floyd	176/1
3,280,459	10/1966	Walker et al.	433/118 X
3,712,984	1/1973	Lienhard	250/86
4,385,344	5/1983	Gonser	362/32
4,460,337	7/1984	Landgraf et al.	433/29
4,614,498	9/1986	Vaccaro	433/126
4,626,210	12/1986	Malata et al.	433/29
4,666,406	5/1987	Kanea, III	433/228.1 X
4,725,232	2/1988	Hatakeyama	433/126 X
4,826,431	5/1989	Fujimura et al.	433/29
4,858,001	8/1989	Milbank et al.	358/98
4,872,837	10/1989	Issalene et al.	433/29
4,957,441	9/1990	Bryan	433/228.1
4,975,058	12/1990	Woodward	433/126

OTHER PUBLICATIONS

Optilux Brochure, Demetron Research Corporation, copyright date unknown.

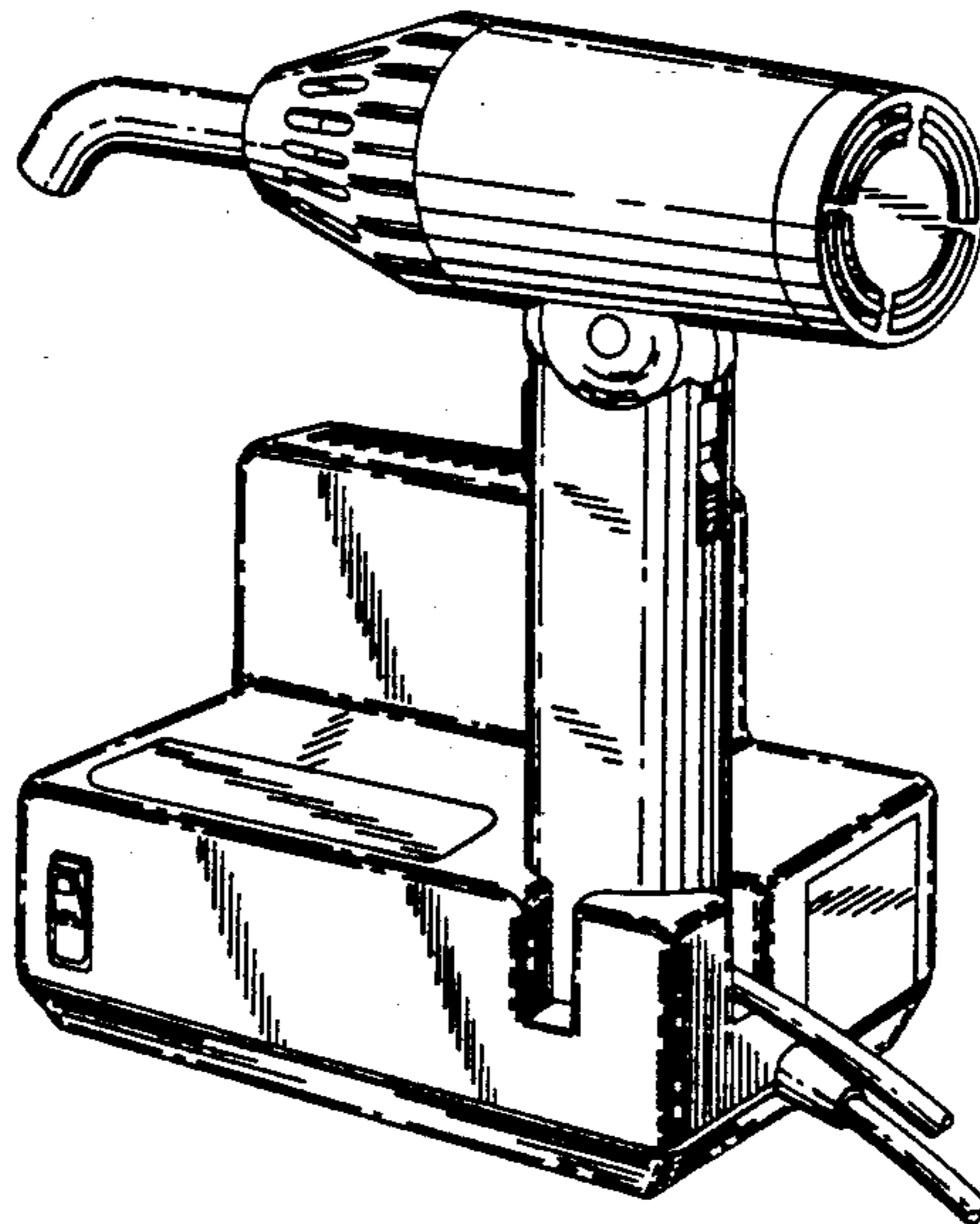
Primary Examiner—Wallace R. Burke
Assistant Examiner—M. H. Tung
Attorney, Agent, or Firm—Gary L. Griswold; Walter N. Kirn; James D. Christoff

[57] **CLAIM**

The ornamental design for a dental material curing apparatus, as shown and described.

DESCRIPTION

FIG. 1 is a top, front and right side perspective view of a dental material curing apparatus showing our new design;
FIG. 2 is a reduced front elevational view thereof;
FIG. 3 is a reduced rear elevational view thereof;
FIG. 4 is a reduced plan view thereof;
FIG. 5 is a reduced bottom view thereof;
FIG. 6 is a reduced right side elevational view thereof; and,
FIG. 7 is a reduced left side elevational view thereof.



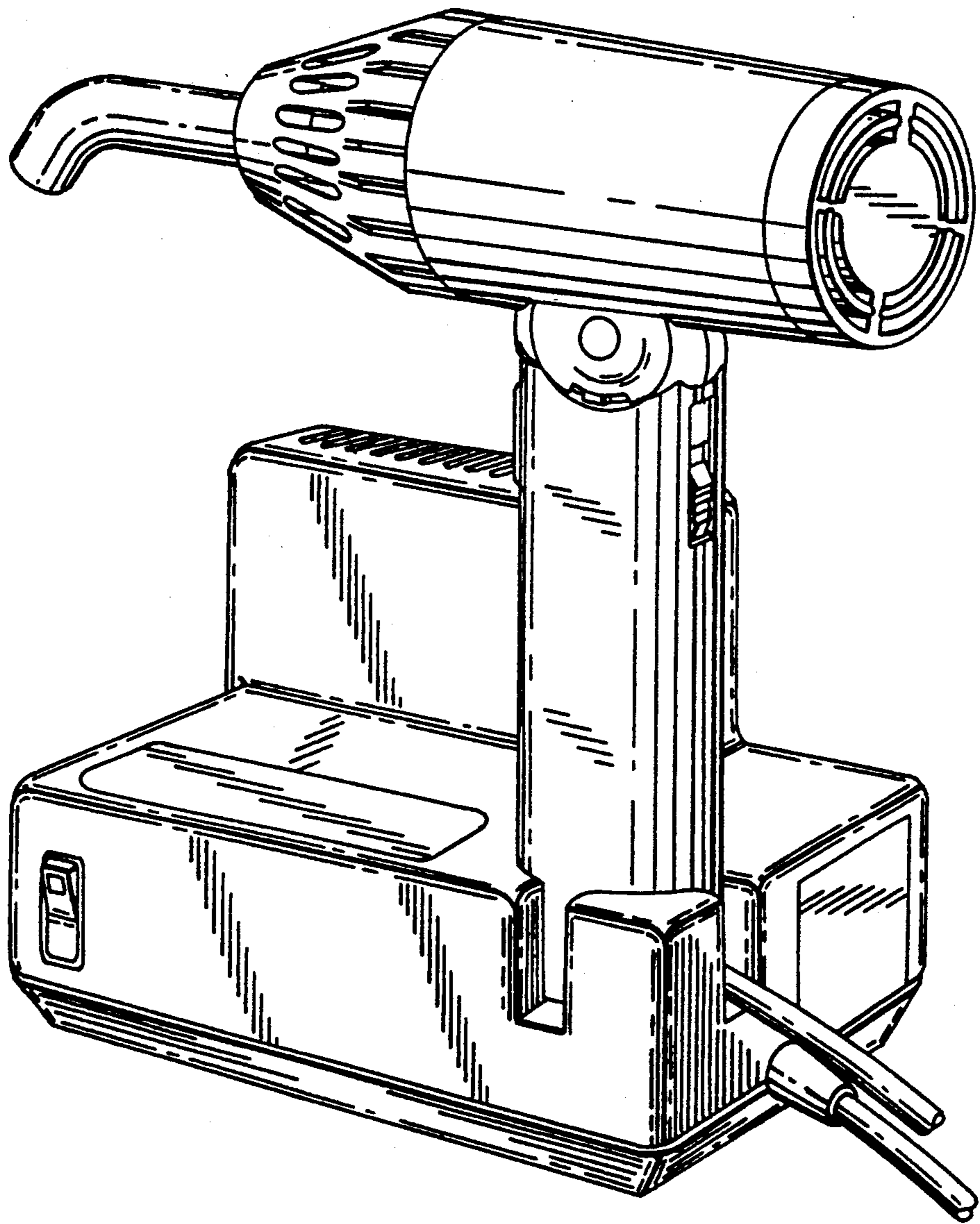


Fig. 1

Fig. 3

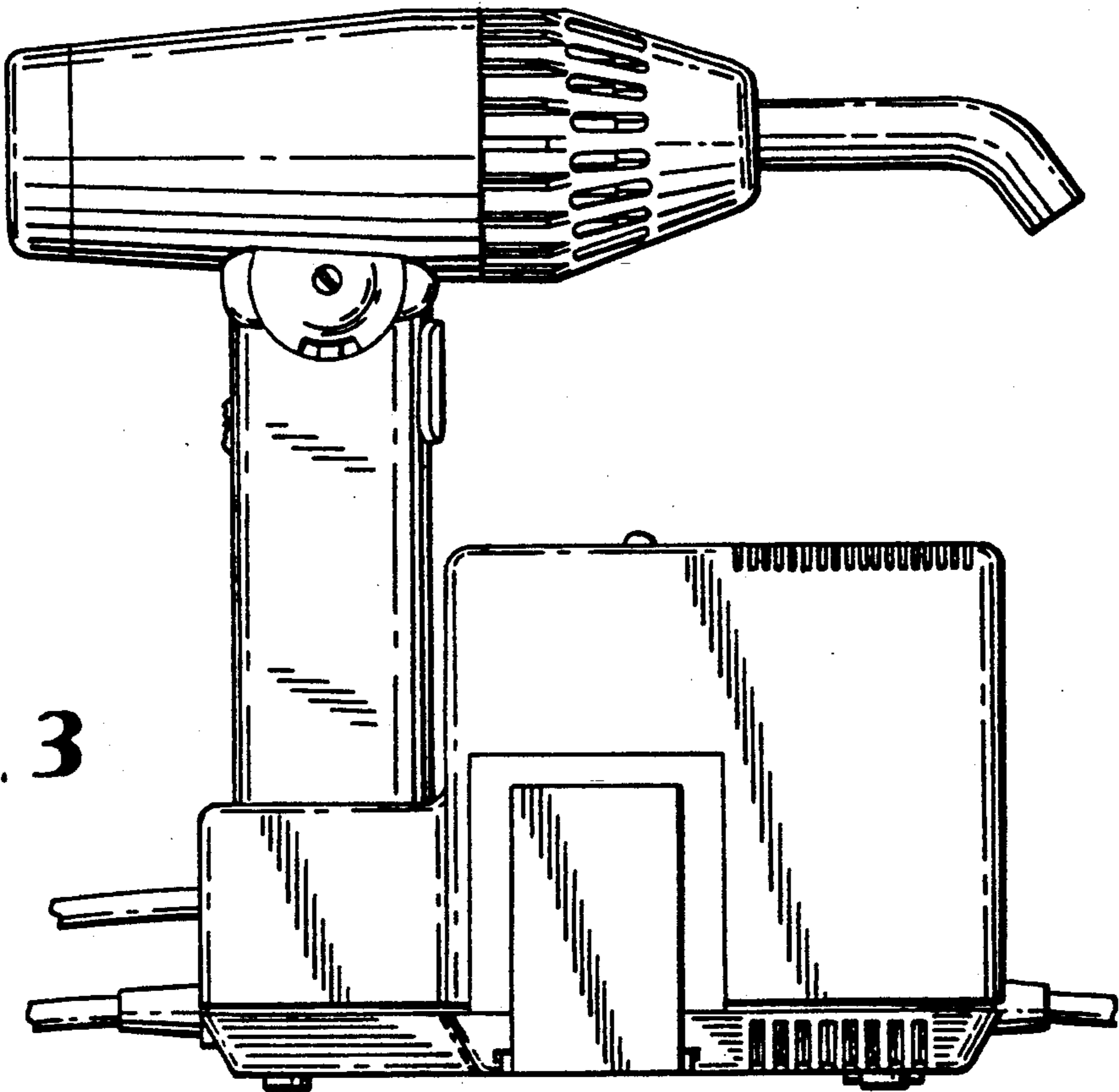
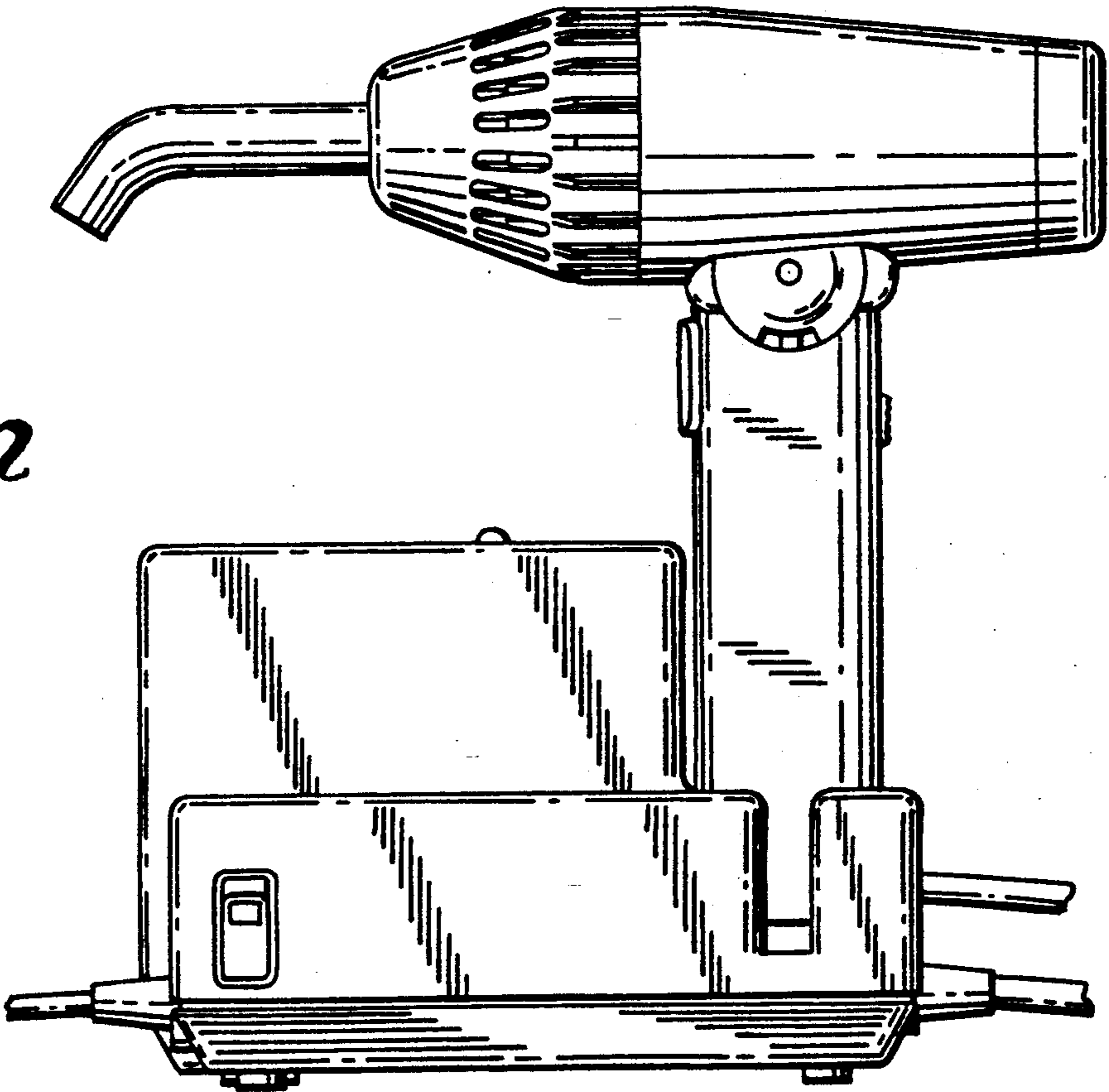


Fig. 2



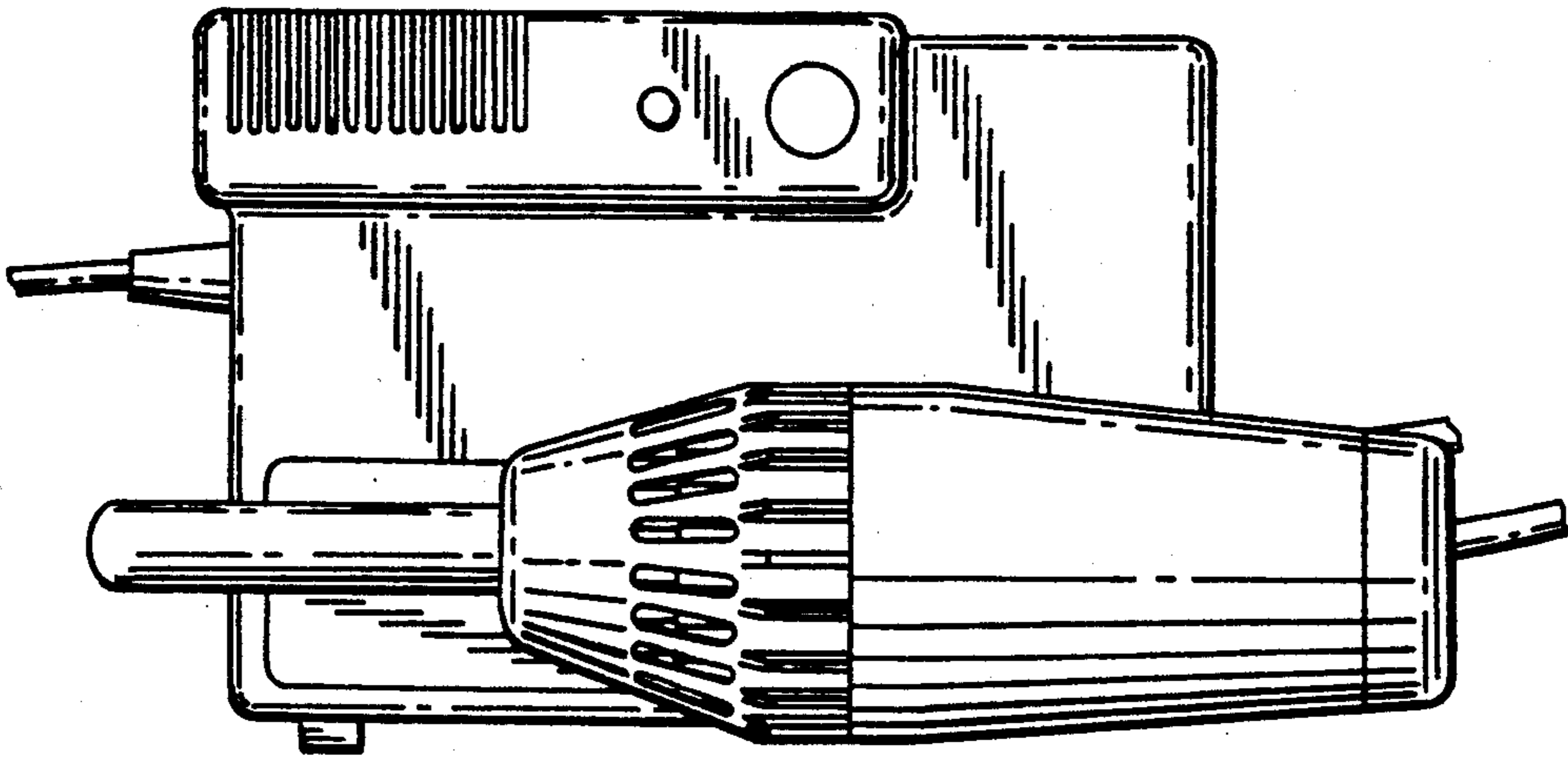


Fig. 4

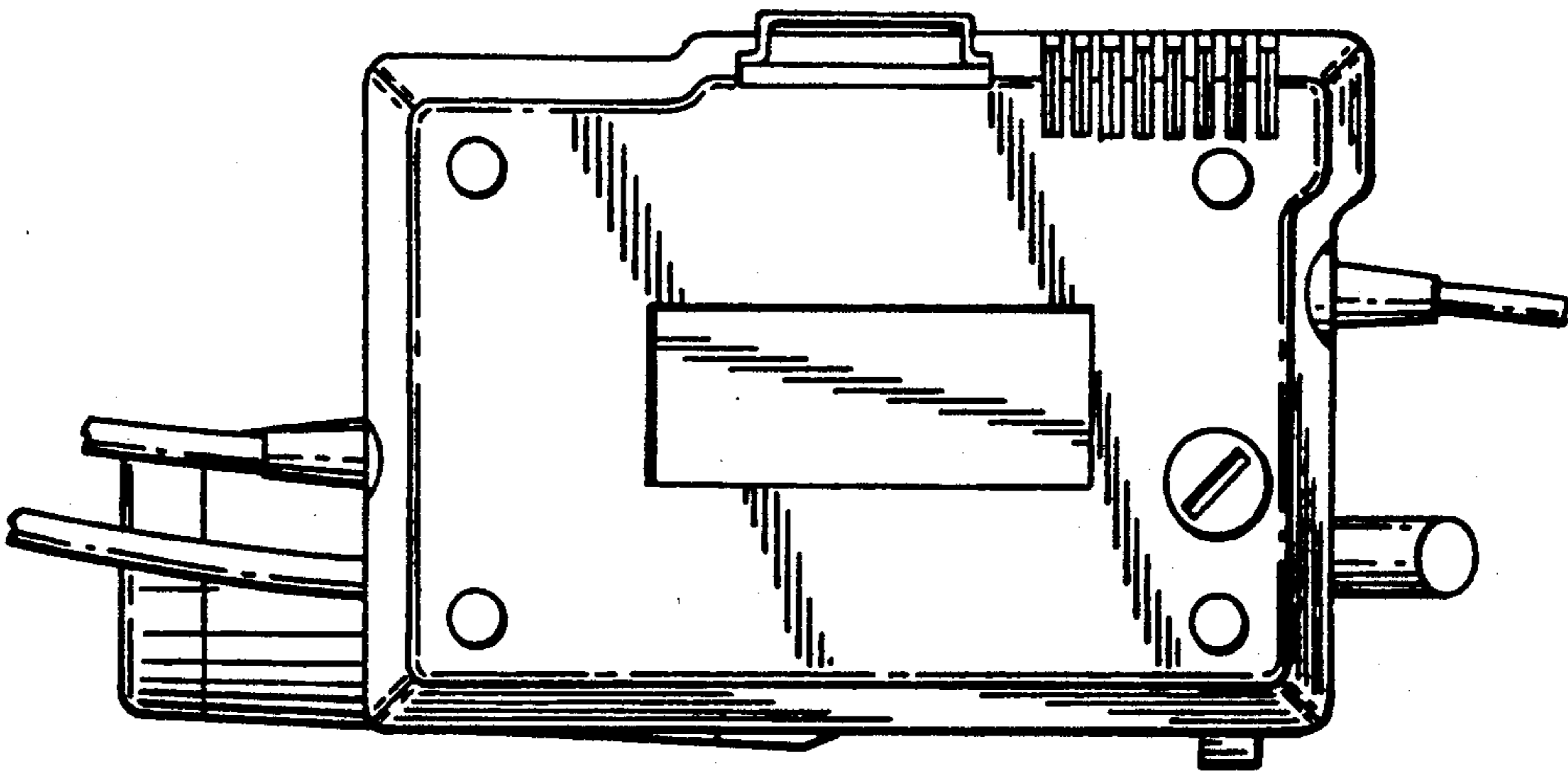


Fig. 5

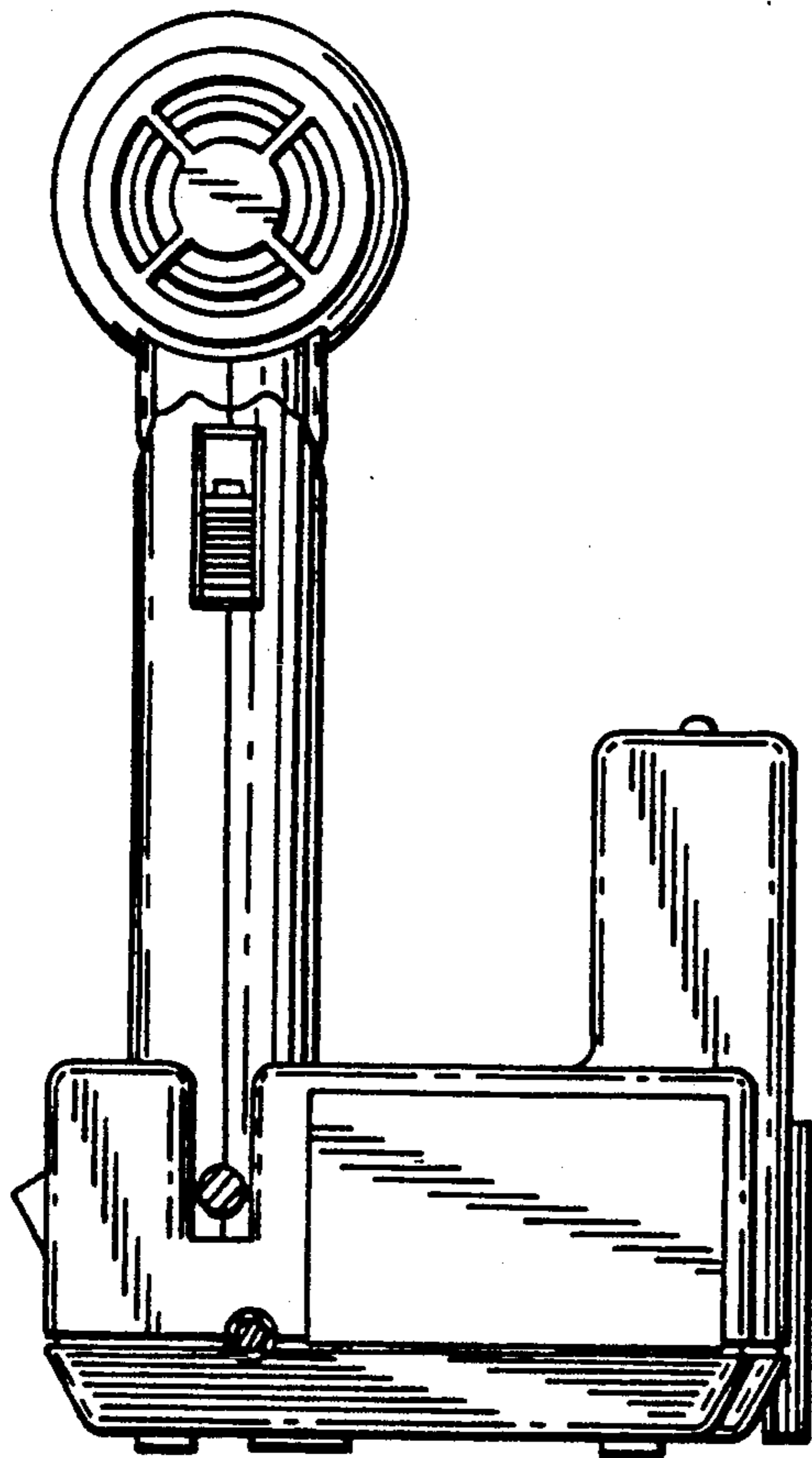


Fig. 6

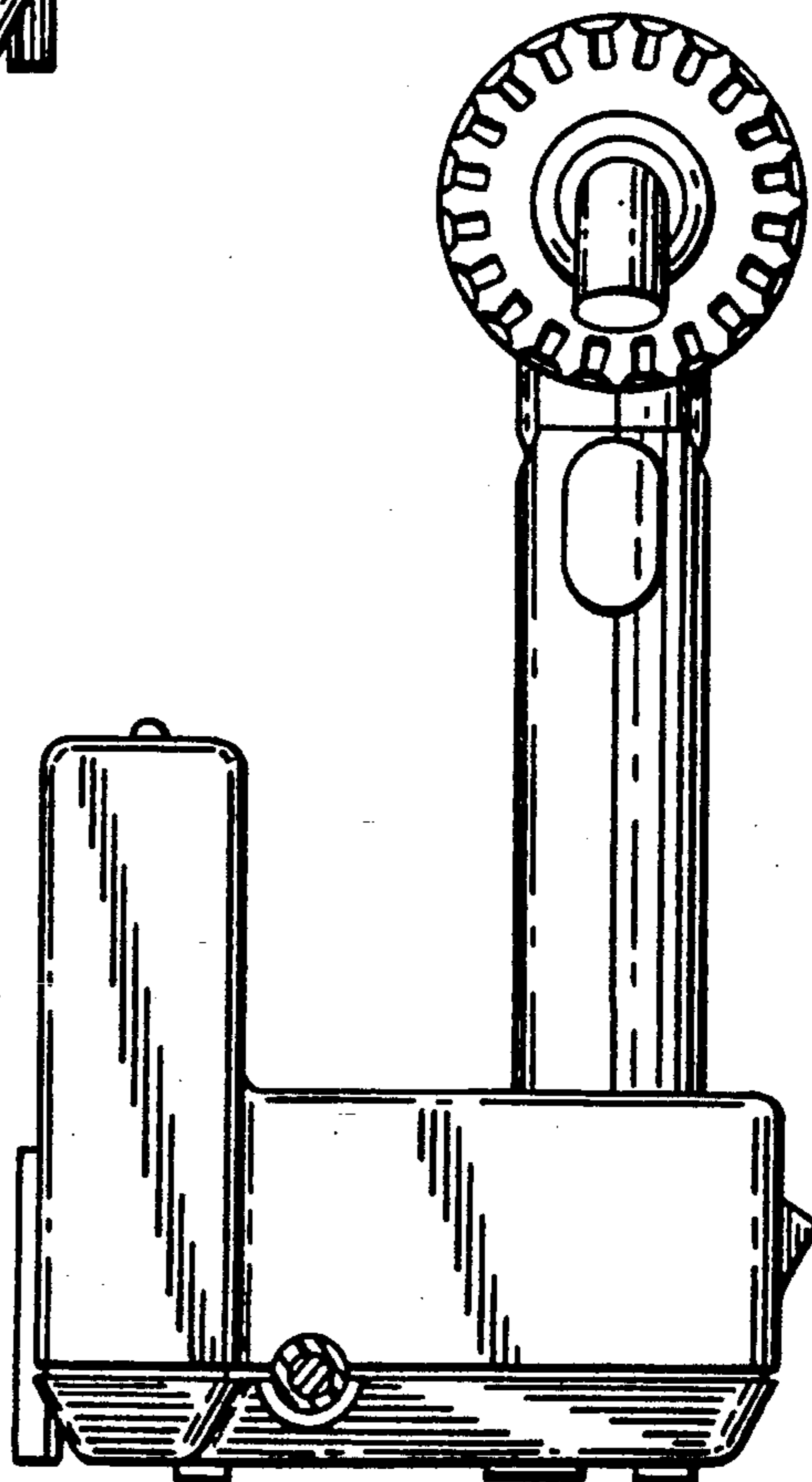


Fig. 7