



US00D336335S

# United States Patent [19]

[11] Patent Number: **Des. 336,335**

**Poulsen**

[45] Date of Patent: **\*\* Jun. 8, 1993**

[54] LANCET

2,711,738	9/1953	Kelly et al. ....	606/182
4,892,097	1/1990	Ranalletta et al. ....	606/182
4,994,068	2/1991	Hufnagie .....	606/181
5,074,872	12/1991	Brown et al. ....	606/182

[75] Inventor: **Jens U. Poulsen, Copenhagen, Denmark**

[73] Assignee: **Novo Nordisk A/S, Bagsvaerd, Denmark**

[\*\*] Term: **14 Years**

*Primary Examiner—Stella Reid*  
*Assistant Examiner—I. Simmons*  
*Attorney, Agent, or Firm—Steve T. Zelson*

[21] Appl. No.: **674,732**

### [57] CLAIM

[22] Filed: **Mar. 25, 1991**

The ornamental design for a lancet, as shown and described.

[52] U.S. Cl. .... **D24/147; D24/146**

[58] Field of Search ..... **D24/146, 147, 130; 606/187, 182, 183, 184, 185; 604/192, 198, 197; 128/919**

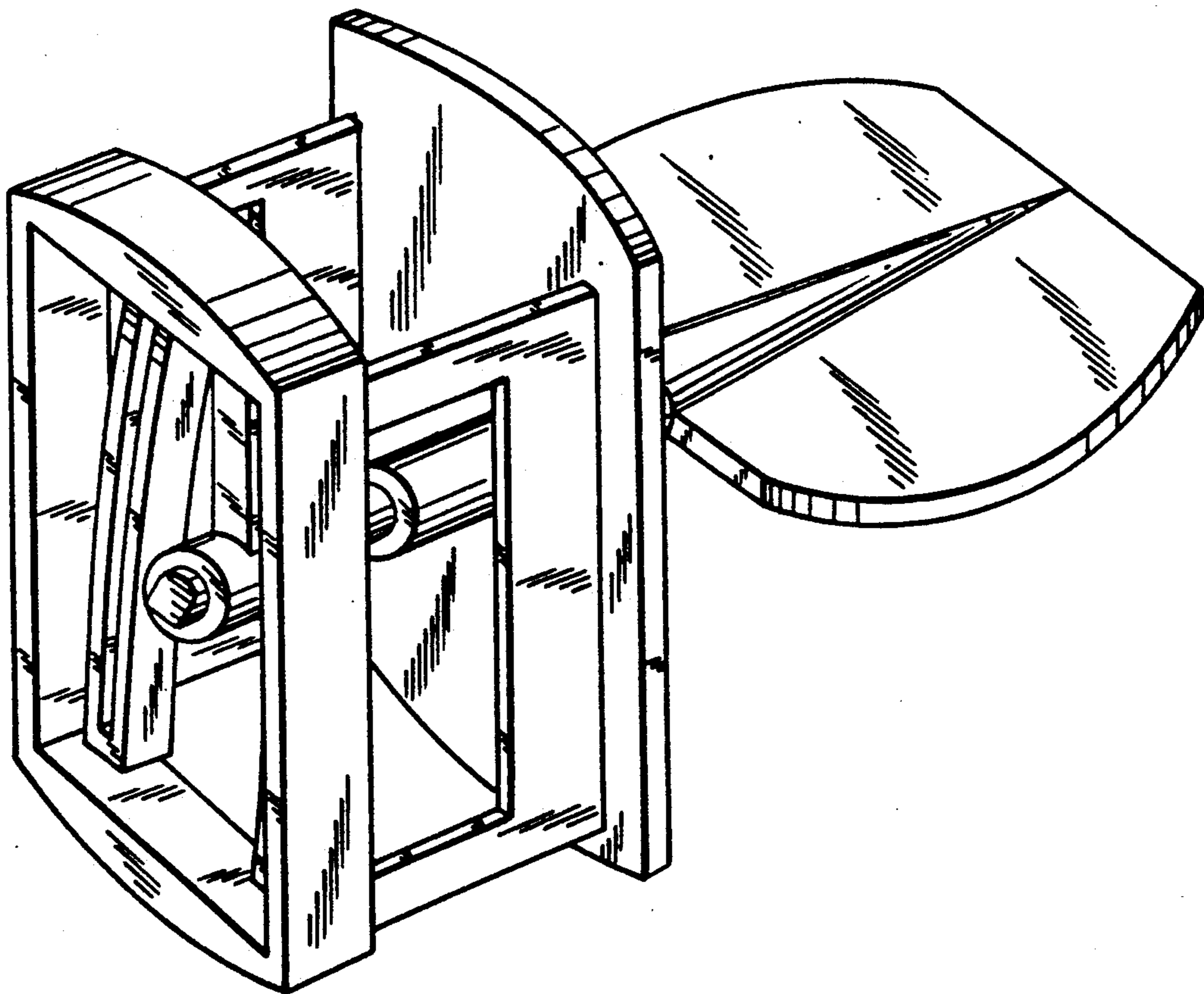
### DESCRIPTION

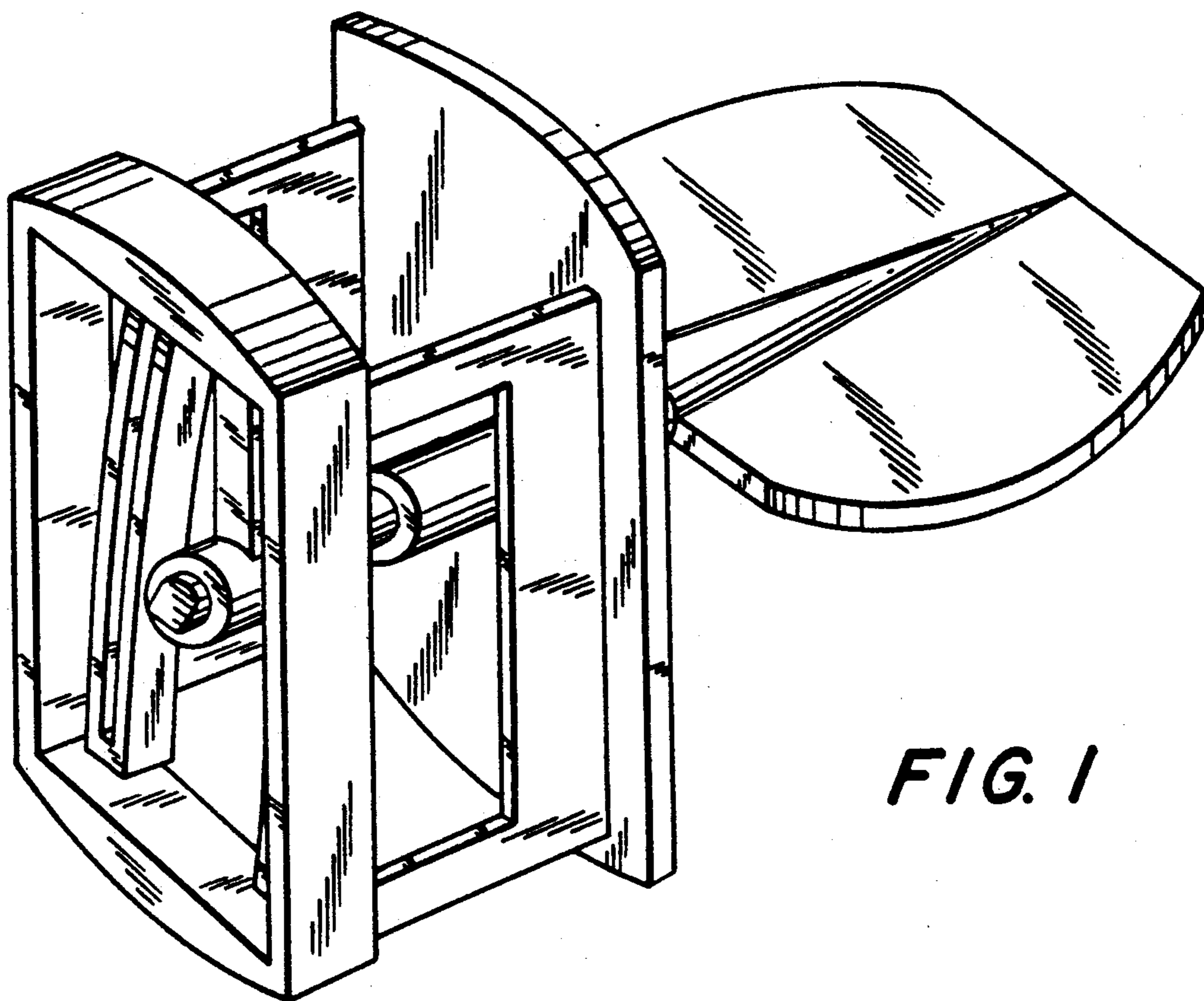
### [56] References Cited

#### U.S. PATENT DOCUMENTS

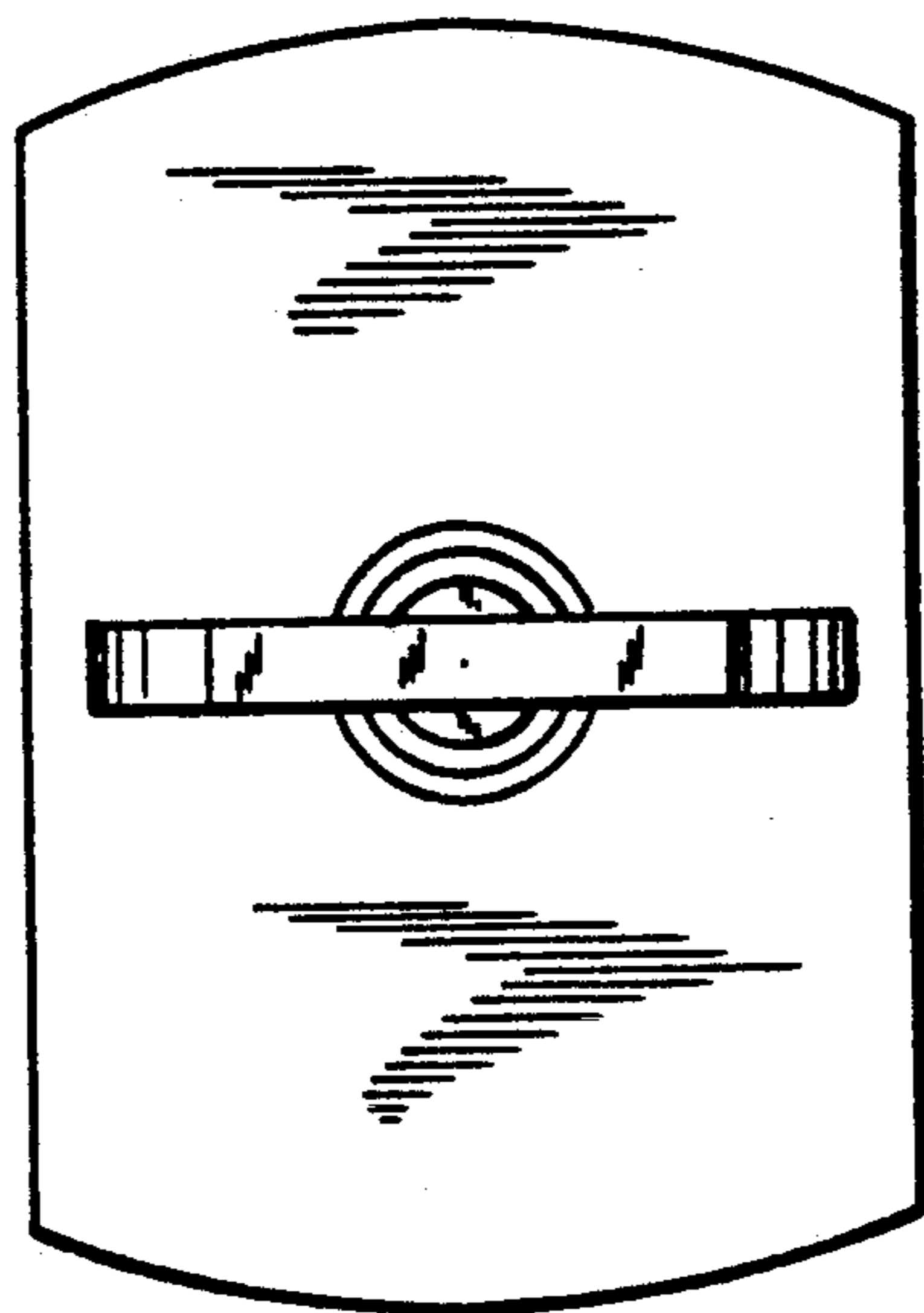
D. 228,815	10/1973	Campbell .....	D24/147
D. 245,040	7/1977	Thomas .....	D24/147
D. 264,378	5/1982	Thomas et al. ....	D24/147

FIG. 1 is a top, right front perspective view of a lancet, showing my new design;  
FIG. 2 is a rear elevational view thereof;  
FIG. 3 is a right side elevational view thereof, the left side elevational view being a mirror image thereto;  
FIG. 4 is a front elevational view thereof; and,  
FIG. 5 is a top plan view thereof, the bottom plan view being a mirror image thereto.

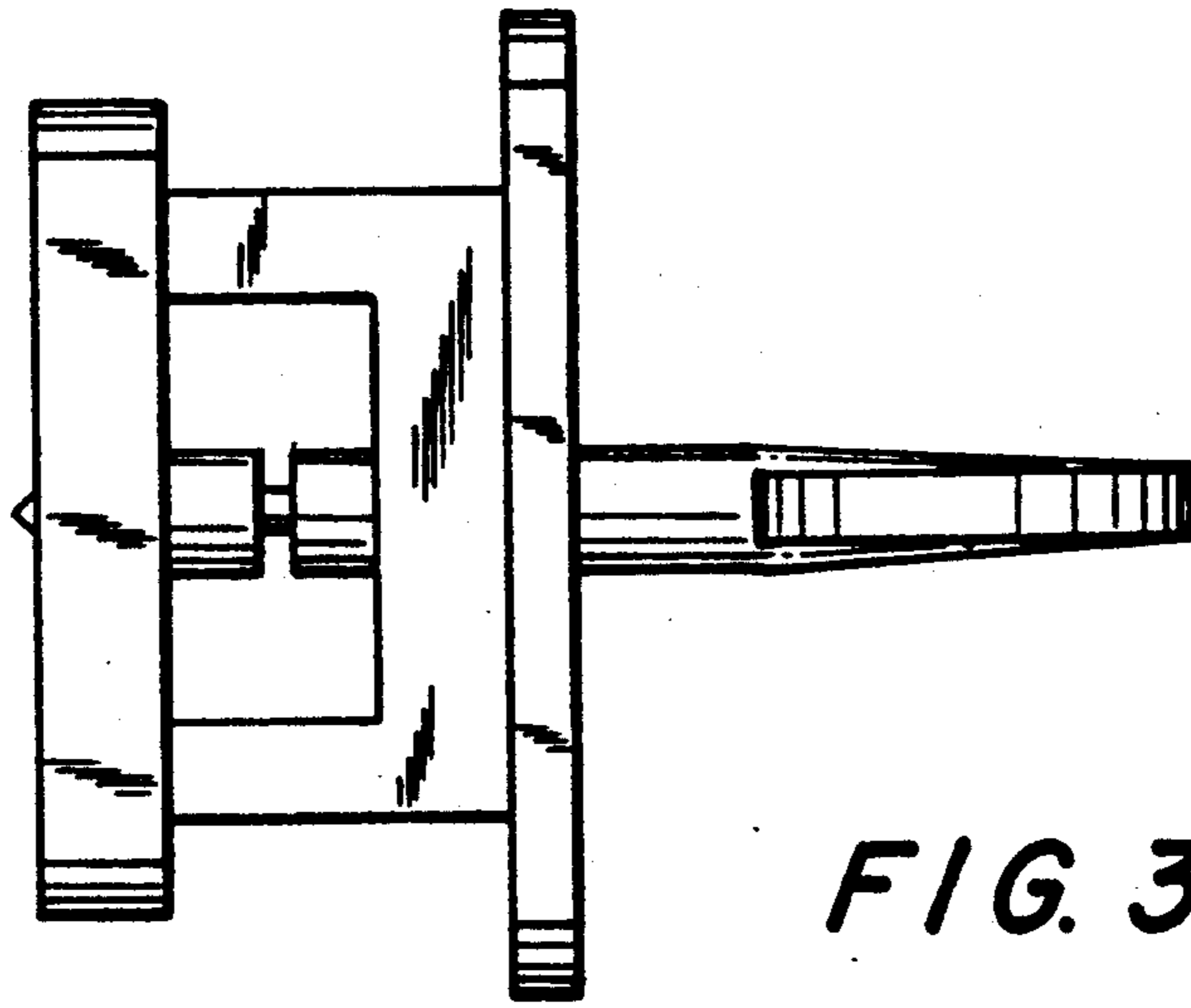




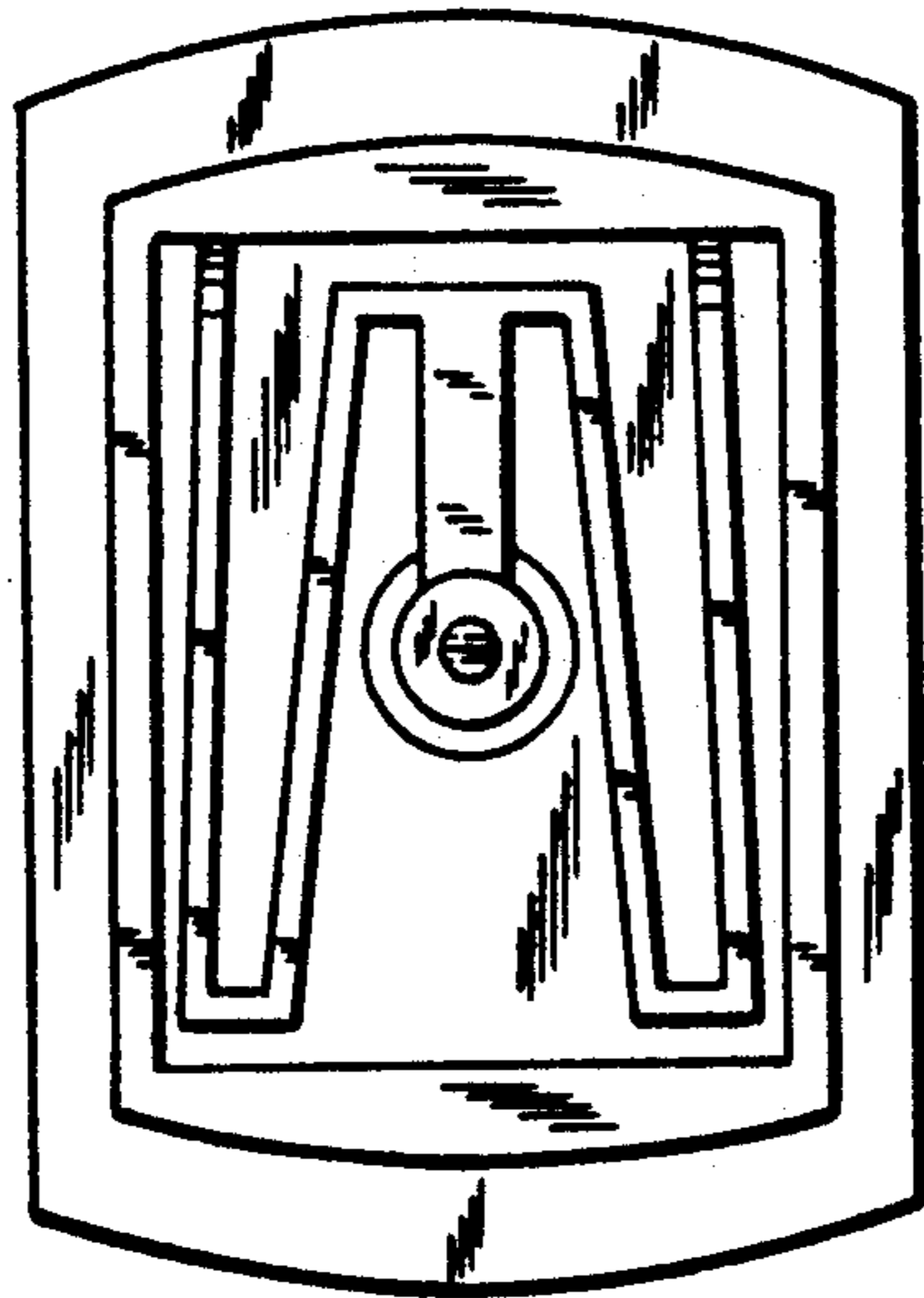
*FIG. 1*



*FIG. 2*



*FIG. 3*



*FIG. 4*

*FIG. 5*

